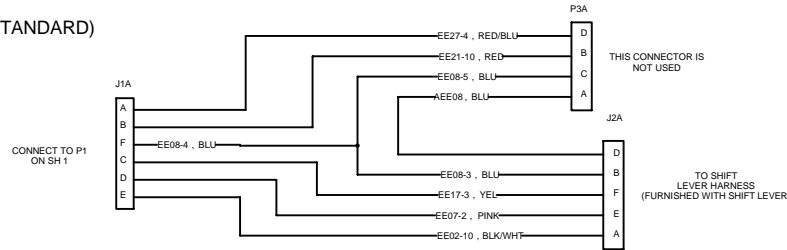
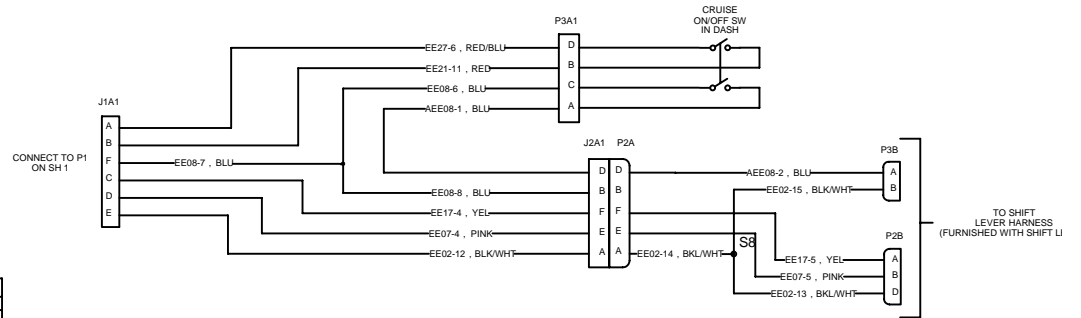


CRUISE CONTROL HARNESS-DASH (STANDARD)



EATON/FULLER CRUISE SWITCH ON SHIFT LEVER (OPTIONAL)



ROCKWELL CRUISE SWITCH ON SHIFT LEVER (OPTIONAL)

- NOTES:
- 1) USE WITH CONVENTIONAL CAT C10/C12/340HE ADEM III ECU
 - 2) SEE SK28804 FOR ELECTRONIC ENGINE CIRCUITS DESCRIPTIONS
 - 3) MAKE CONNECTIONS TO EE11 AND EE18 PER THE APPROPRIATE REMOTE PTO OPTION AS SHOWN.
 - 4) RELAYS ARE SHOWN DE-ENERGIZED
 - 5) OPTIONAL HARNESSES
 - ENGINE BRAKE
 - CRUISE CONTROL HARNESS ON SHIFT LEVER
 - DUAL STATION CONTROLS
 - 6) ENCLOSED PORTION IS IN THE BRAKESAVER OPTION ONLY
 - 7) J1939 HARDWARE AND WIRING IS AVAILABLE I AUTOSHIFT OPTION ONLY

CKT	FUNCTION	CKT	FUNCTION	CKT	FUNCTION	CKT	FUNCTION
E1	SPARE ENGINE CIRCUIT	418	J1587 DATA LINK (-)	EE14	IDLE VALIDATION "ON"	EE40	BRAKESAVER
E2	SPARE ENGINE CIRCUIT	554	BRAKESAVER ENABLED	EE15	DIAGNOSTIC ON/OFF	EE41	ENGINE FAN SOLENOID
I2	UNSWITCHED POWER	B554	BRAKESAVER SOLENOID	EE16	ENGINE WARNING LIGHT	EE42	ENGINE FAN RETURN
A12	UNSWITCHED POWER	557	BRAKESAVER RELAY	EE17	CRUISE SET	EE43	A/C PRESSURE "HIGH"
I3	KEY SWITCH	660	J1939 "SHIELD"	EE18	REMOTE PTO ON/OFF	EE44	A/C PRESSURE "RETURN"
A23	ENGINE RUN	661	J1939 "HIGH"	EE19	ENGINE FAN OVERRIDE	EE46	TACHOMETER OUTPUT (+)
I29	ENGINE START	662	J1939 "LOW"	EE20	SERVICE BRAKE	EE47	TACHOMETER OUTPUT (-)
A29	STARTER SOLENOID	679	TOP 2 LOCKOUT	EE21	ENGINE RUN	EE48	SPEEDOMETER OUTPUT (+)
I30	BATTERY POWER TO ECU	680	TOP 2 SHIFT	AEE21	SWITCHED POWER (-)	EE49	SPEEDOMETER OUTPUT (-)
A30	POWER STARTER TO MAG SWITCH	689	DIAGNOSTIC CIRCUIT	BEE21	REMOTE KILL	EE50	SERVICE BK #2 FOR (AUTO XMSN)
I31	ALTERNATOR POSITIVE	723	POWER SHUTDOWN ENABLE	EE22	MULTIFUNCTION CKT	EE51	XMSN NEUTRAL INPUT
I59	TRANSMISSION TEMP	EE01	ECU COMMON 1	EE23	MULTIFUNCTION CKT	EE52	CAT COLD DASH POWER
I83	ETHER SOLENOID	EE02	ECU COMMON 2	EE24	CHECK ENGINE LIGHT	EE53	OUTPUT #3 BRAKESAVER
I93	A/C COMPRESSOR CLUTCH	AEE02	ENGINE BRAKE ENABLE	EE25	ROAD SPEED SENSOR (+)	EE54	MULTIFUNCTION CKT
I220	MANUAL OVERRIDE ENG FAN LIGHT	EE03	ECU COMMON 3	EE26	ROAD SPEED SENSOR (-)	EE55	TEMP/PRESSURE
I239	ECU GROUND	EE04	ENGINE BRAKE LEVEL 1	EE27	CRUISE CONTROL LAMP	EE56	ENG CRANK
I298A	ALTERNATOR NEGATIVE	EE05	ENGINE BRAKE LEVEL 2	EE28	CLUTCH SWITCH	EE57	+5 VDC
B239	KILL RELAY	EE06	ENGINE BRAKE LEVEL 3	EE29	+5 VOLT COOLANT SENSOR	EE58	MULTIFUNCTION CKT
I242	SWITCHED POWER	EE07	CRUISE RESUME	EE30	LOW COOLANT LEVEL	EE59	MULTIFUNCTION CKT
B242	SWITCHED POWER	EE08	CRUISE ON/OFF	EE31	NORMAL COOLANT LEVEL	EE60	IGN BK/CLU FAST IDLE/STARTER AID
I281	BRAKE LIGHT	AEE08	CRUISE-PAUSE	EE32	COOLANT LEVEL RETURN	EE61	REMOTE PTO "SET"
I282	ENGINE OIL TEMPERATURE	EE09	NOT USED	EE33	J1922 DATA LINK (+)	EE62	REMOTE PTO "RESUME"
I285	COOLANT TEMPERATURE LIGHT	EE10	STOP ENGINE LIGHT	EE35	J1922 DATA LINK (-)	EE63	REMOTE THROTTLE
I298	IGNITION CIRCUIT BREAKER	EE11	REMOTE PTO	EE37	MULTIFUNCTION CKT	EE64	REMOTE ENABLE
I380	COOLANT TEMP GAUGE	EE12	ACCEL PEDAL +8 VDC	EE38	MULTIFUNCTION CKT	WT136	UNSWITCHED POWER
I417	J1587 DATA LINK (+)	EE13	IDLE VALIDATION "OFF"	EE39	MULTIFUNCTION CKT	WT143	BATTERY GROUND