

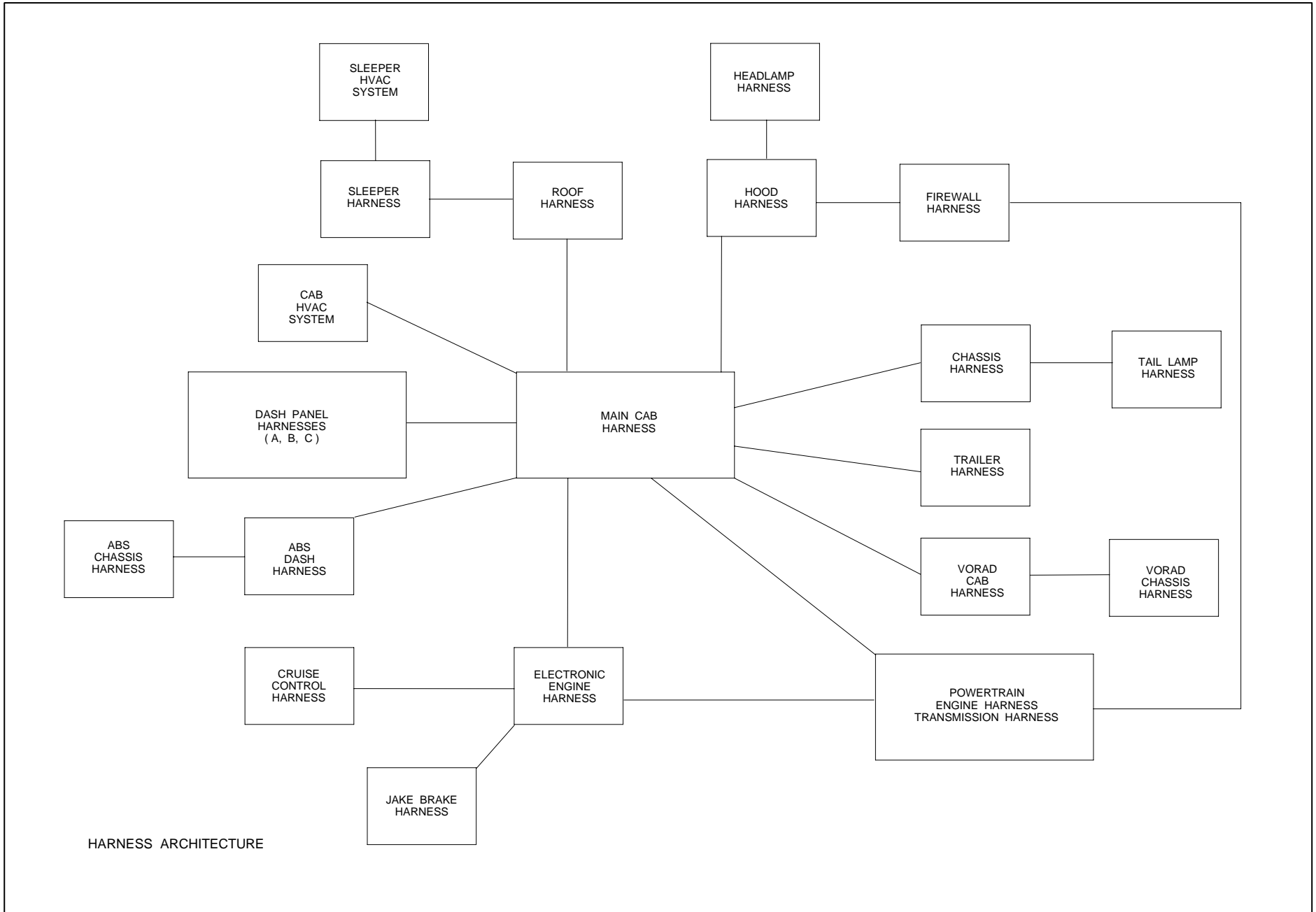
SH NO.	TITLE	ABBR.
1)	INDEX SYMBOL KEY	
2)	HARNES ARCHITECTURE	
3)	CHARGE START SYSTEM	(CS)
4)	MAIN CAB HARNESS	(MC-1)
5)	MAIN CAB HARNESS	(MC-2)
6)	MAIN CAB HARNESS	(MC-3)
7)	MAIN CAB HARNESS	(MC-4)
8)	MAIN CAB HARNESS	(MC-5)
9)	MAIN CAB HARNESS	(MC-6)
10)	CAT C15 / C16 ENGINE HARNESS	(CAT-1)
11)	CAT C15 / C16 ENGINE HARNESS	(CAT-2)
12)	CUMMINS ENGINE HARNESS	(CUM)
13)	CAB ELECTRONIC ENGINE	(EE)
14)	HOOD HARNESS	(HOOD)
15)	TRAILER HARNESS	(TRLR)
16)	CHASSIS HARNESS	(CHS)
17)	63" ROOF HARNESS	(R63D-1)
18)	63" ROOF HARNESS	(R63D-1)
19)	63" ROOF HARNESS (DELCO)	(R63-1)
20)	63" ROOF HARNESS (DELCO)	(R63-2)
21)	70" ROOF HARNESS	(R70-1)
22)	70" ROOF HARNESS	(R70-2)
23)	SLEEPER INTERFACE	(SI)
24)	36" SLEEPER HARNESS	(S36)
25)	48" SLEEPER HARNESS	(S48)
26)	48" / 63" SLEEPER HARNESS	(S60)
27)	70" SLEEPER HARNESS	(S70)
28)	WABCO ABS SYSTEM	(WABS-1)
29)	WABCO ABS SYSTEM	(WABS-2)
30)	B-PANEL CONTROL HARNESS	(BP)
31)	A-PANEL CONTROL HARNESS	(AP)
32)	CAB HVAC MODULE	(CHVAC)
33)	SLEEPER HVAC MODULE	(SHVAC)
34)	DELCO RADIO HARNESS	(DELCO)
35)	PASS SIGNAL HARNESS	(PS)
36)	PANEL LIGHT HARNESS	(PL)
37)	VORAD (CWS) SYSTEM	(VRD)
38)	ELECTIC WINDOWS	(EW)
39)	EATON AUTOMATIC XMSN	(EAT-1)
40)	EATON AUTOMATIC XMSN	(EAT-2)
41)	MERITOR FREEDOMLINE XMSN	(MFT)

SYMBOL / ABBREVIATION KEY

- 1) STUD
- 2) SPLICE
- 3) RING TERMINAL CONNECTORS
- 4) NUMBERS EX    CIRCUI DESCRIPTION    SUFFIX    ALPHA
- 5) BUSS BAR
- 6) CONNECTOR APPEARS ON MULTIPLE SHEETS
- 7) CLC    CHASSIS LOAD CENTER
- 8) SLPR    SLEEPER
- 9) TRLR    TRAILER
- 10) MULTI CORE CABLE
- 11) CONTINUED TO OTHER SH XX
- 12) MOMENTARY CONTACT    SHEET NUMBER  
 CONTACT    SWITCH
- 13) BULB
- 14) GROUND
- 15) DIODE
- 16) RESISTOR
- 17) CAPACITOR
- 18) POLYFUSE
- 19) LIGHT-EMITTING DIODE

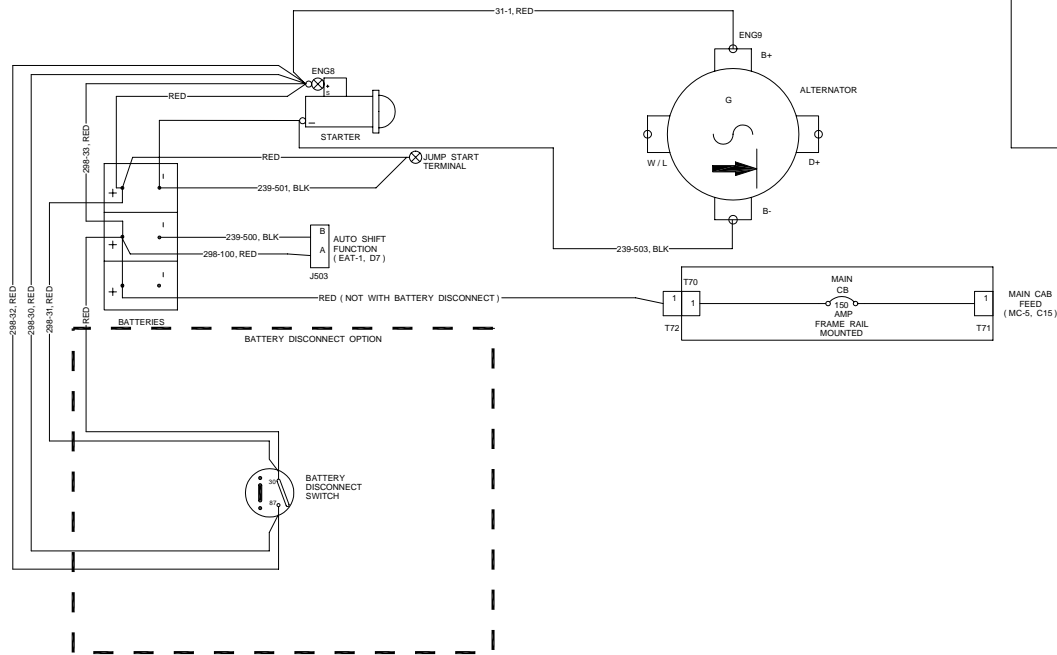
NOTES

1) CONNECTOR REFERENCE REFER TO SHEET ABBREVIATION AND ZONE LOCATIONS (EXAMPLE: (MC-1) (H6)) REFERS TO MAIN CAB HARNESS. ZONE (H6) SEE TABLE OF CONTENT FOR SHEET ABBREVIATION.

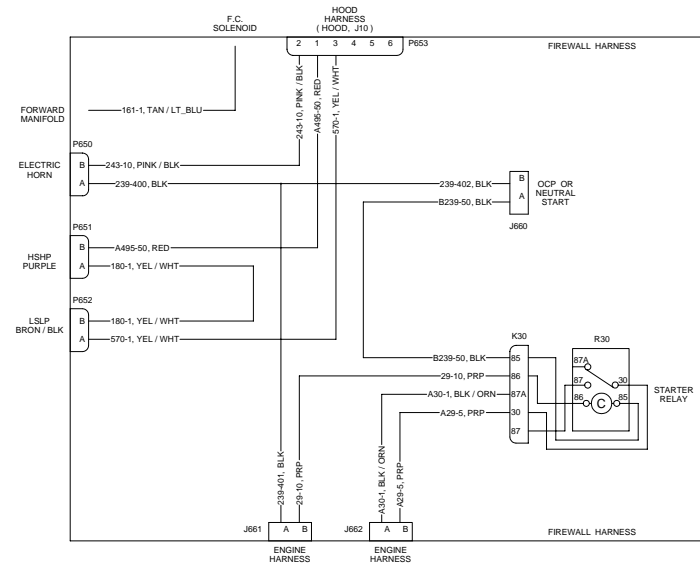


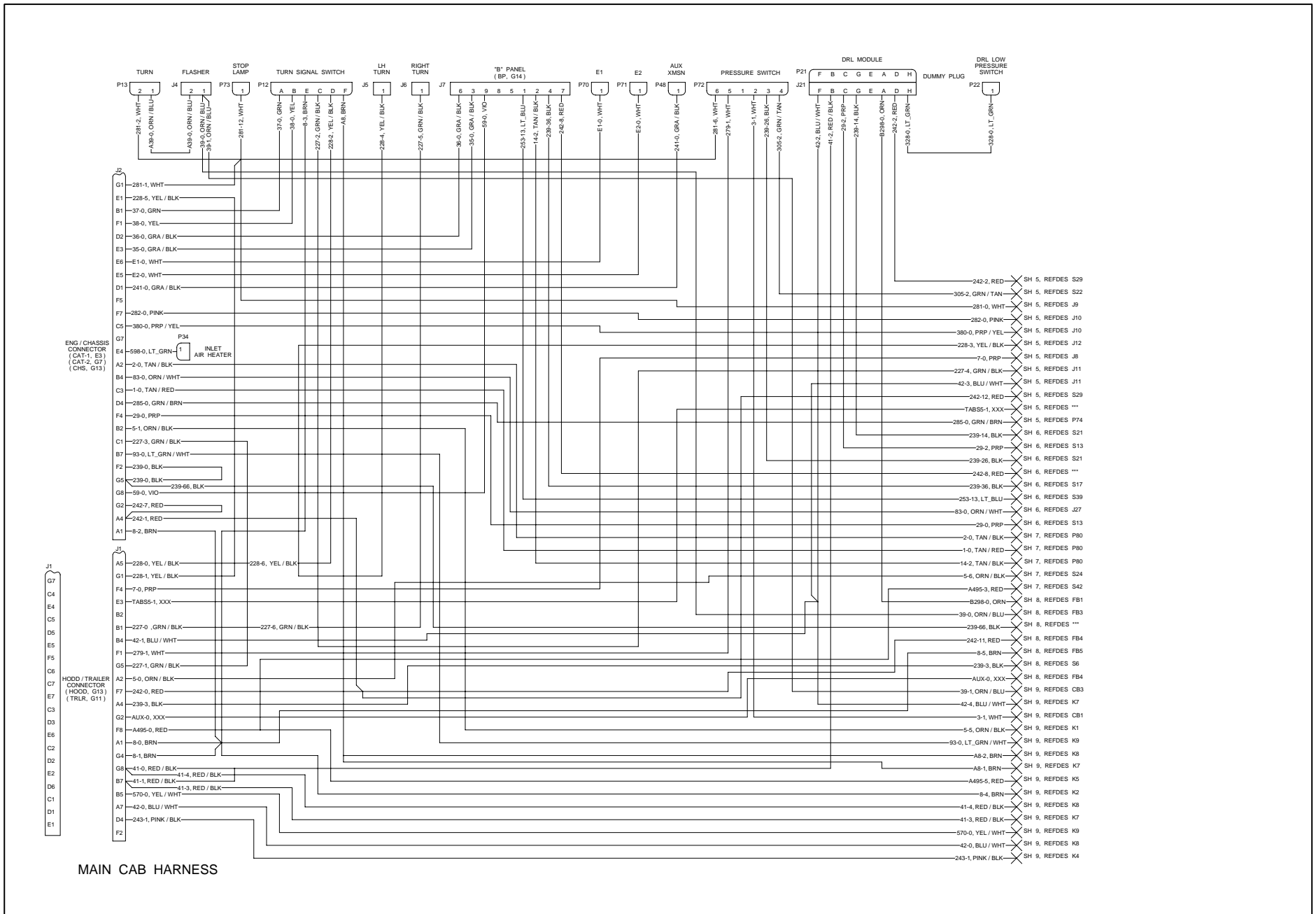
HARNESS ARCHITECTURE

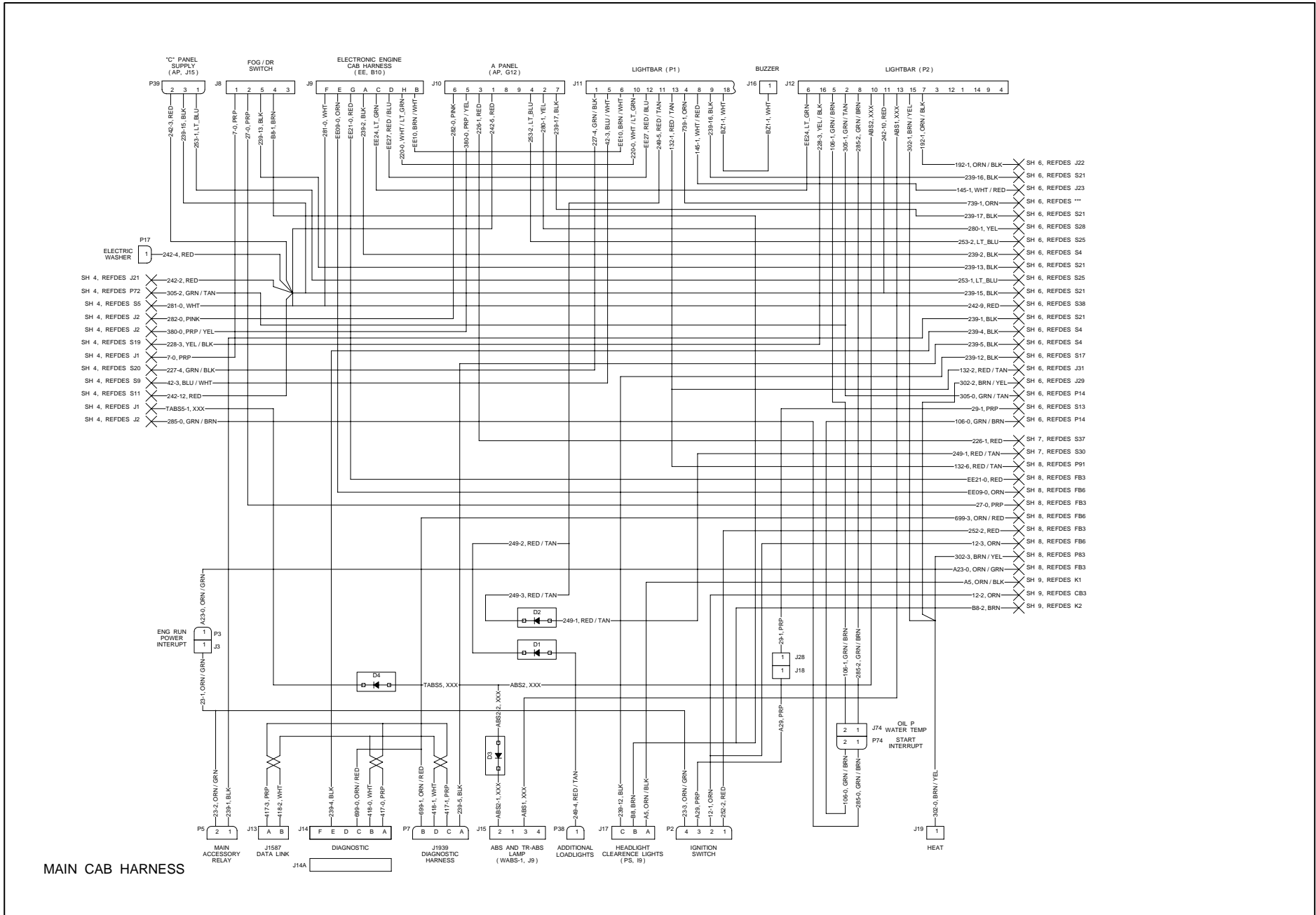




CHARGE / START SYSTEM

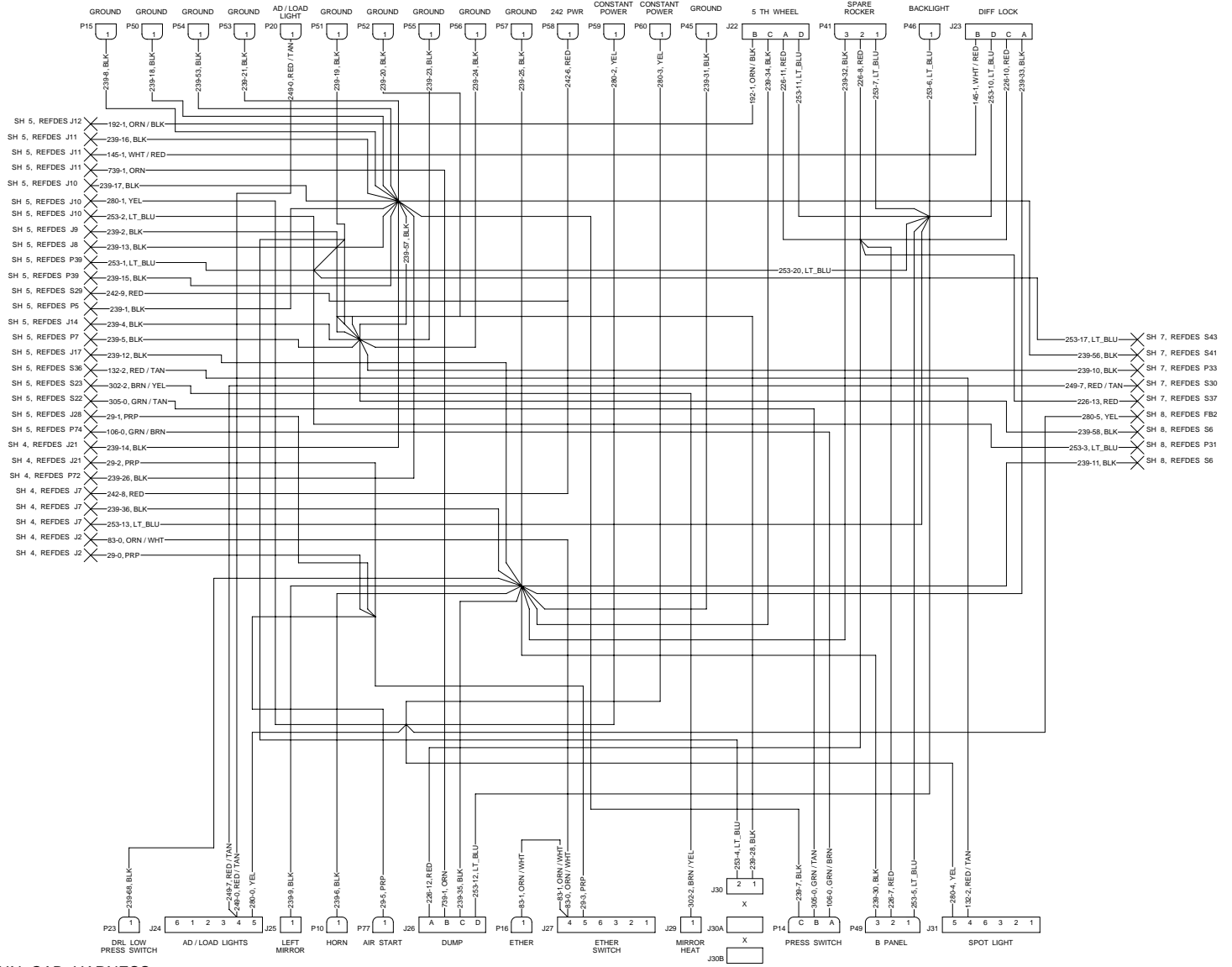






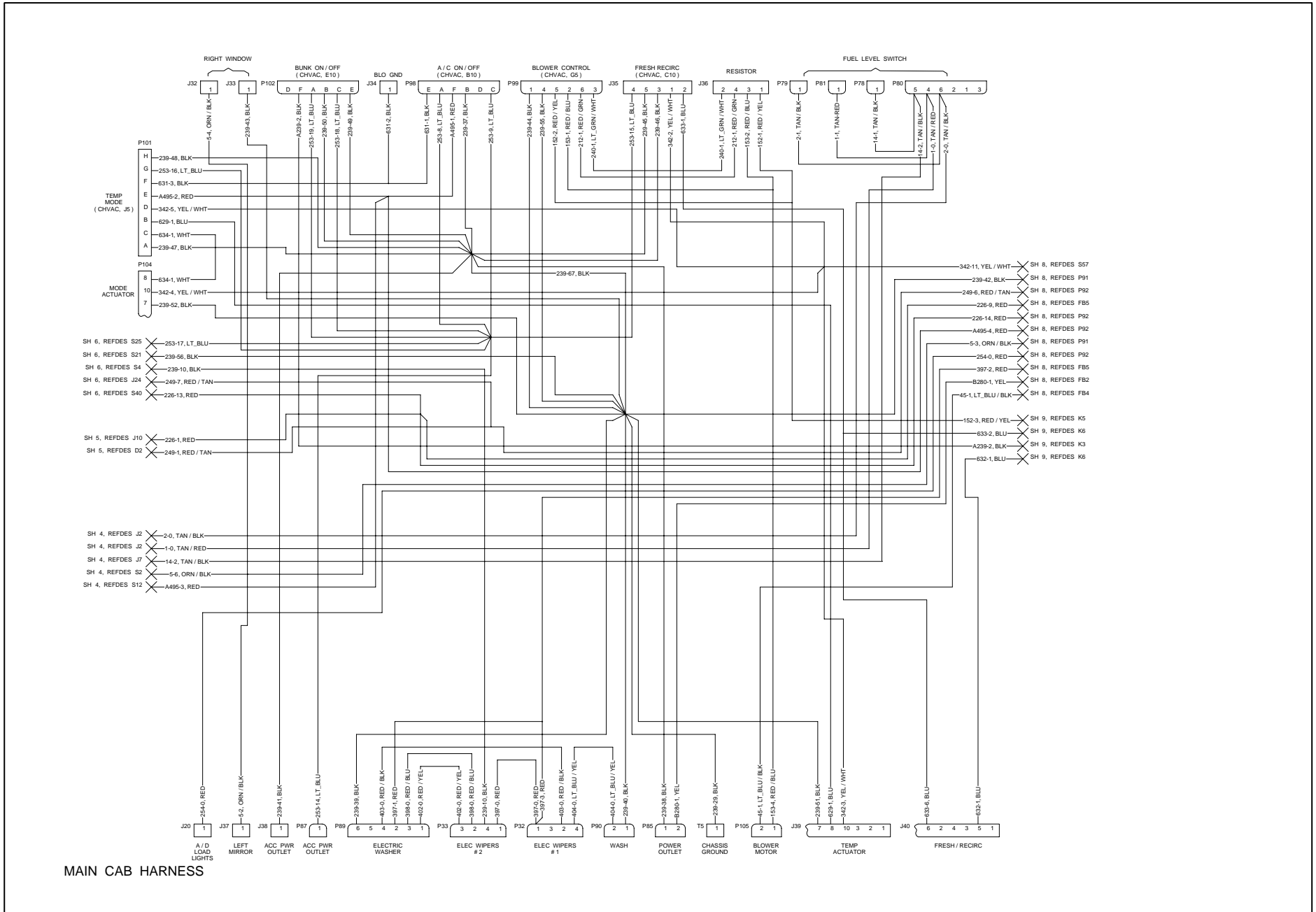
MAIN CAB HARNESS





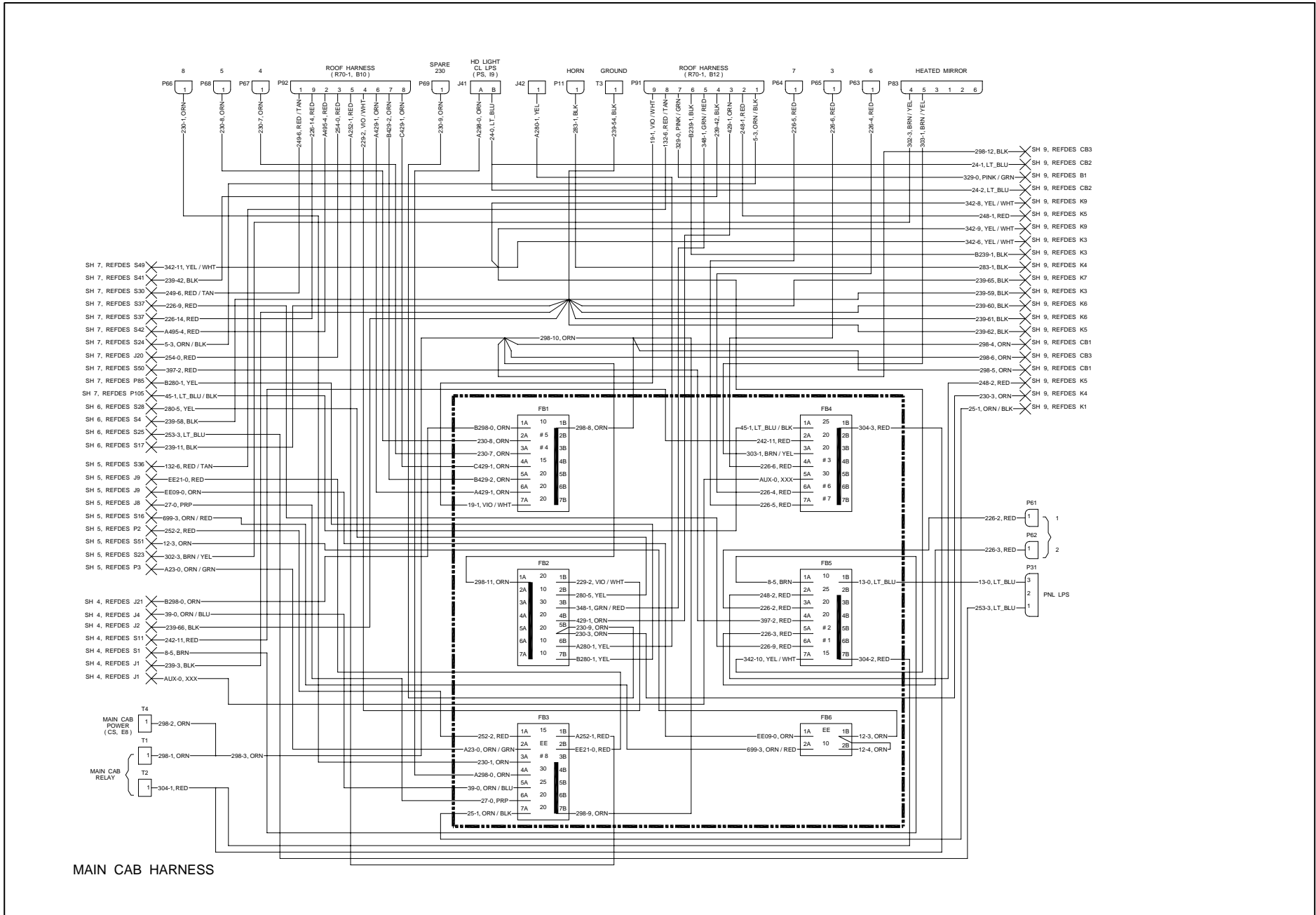
MAIN CAB HARNESS



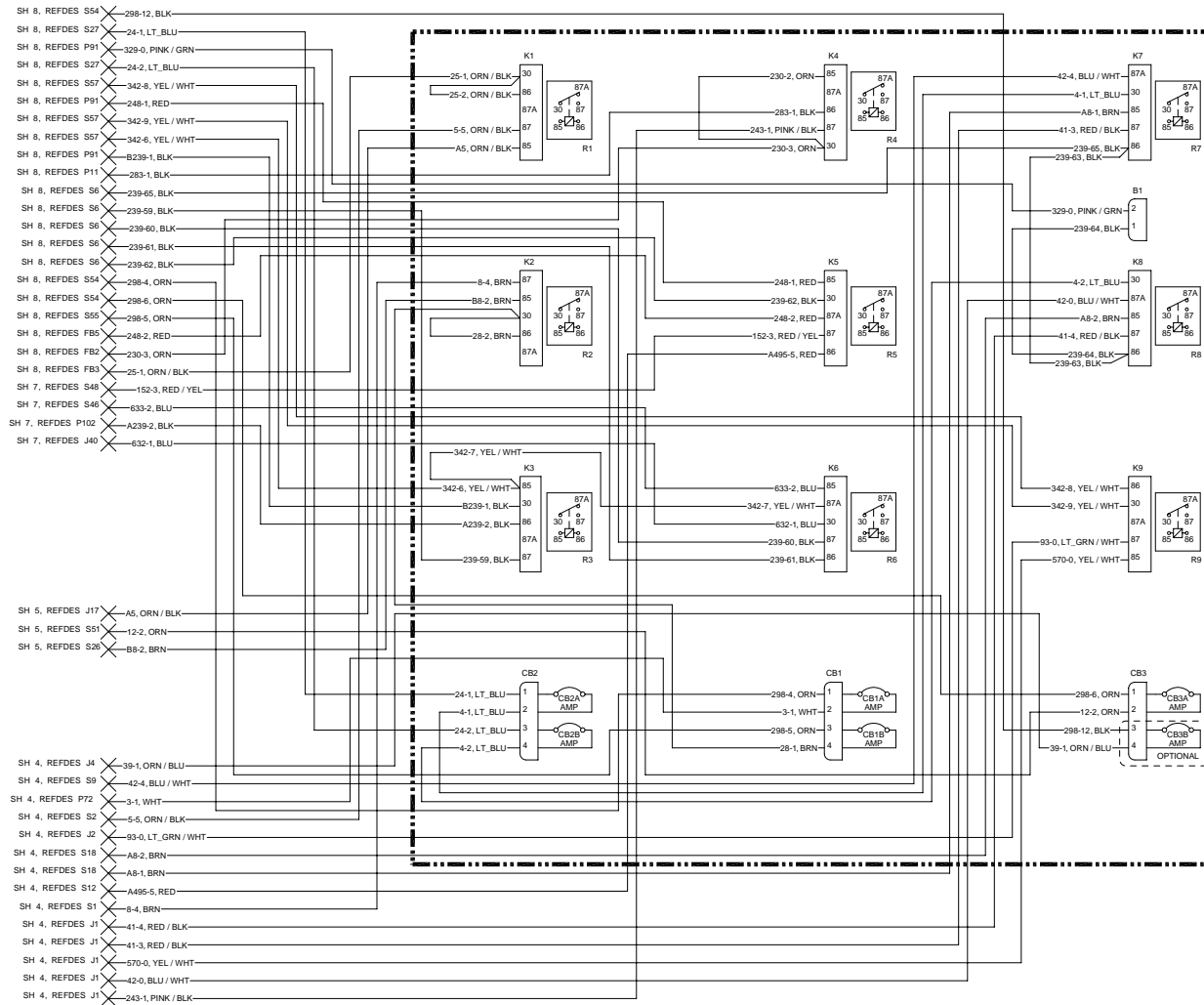


MAIN CAB HARNESS

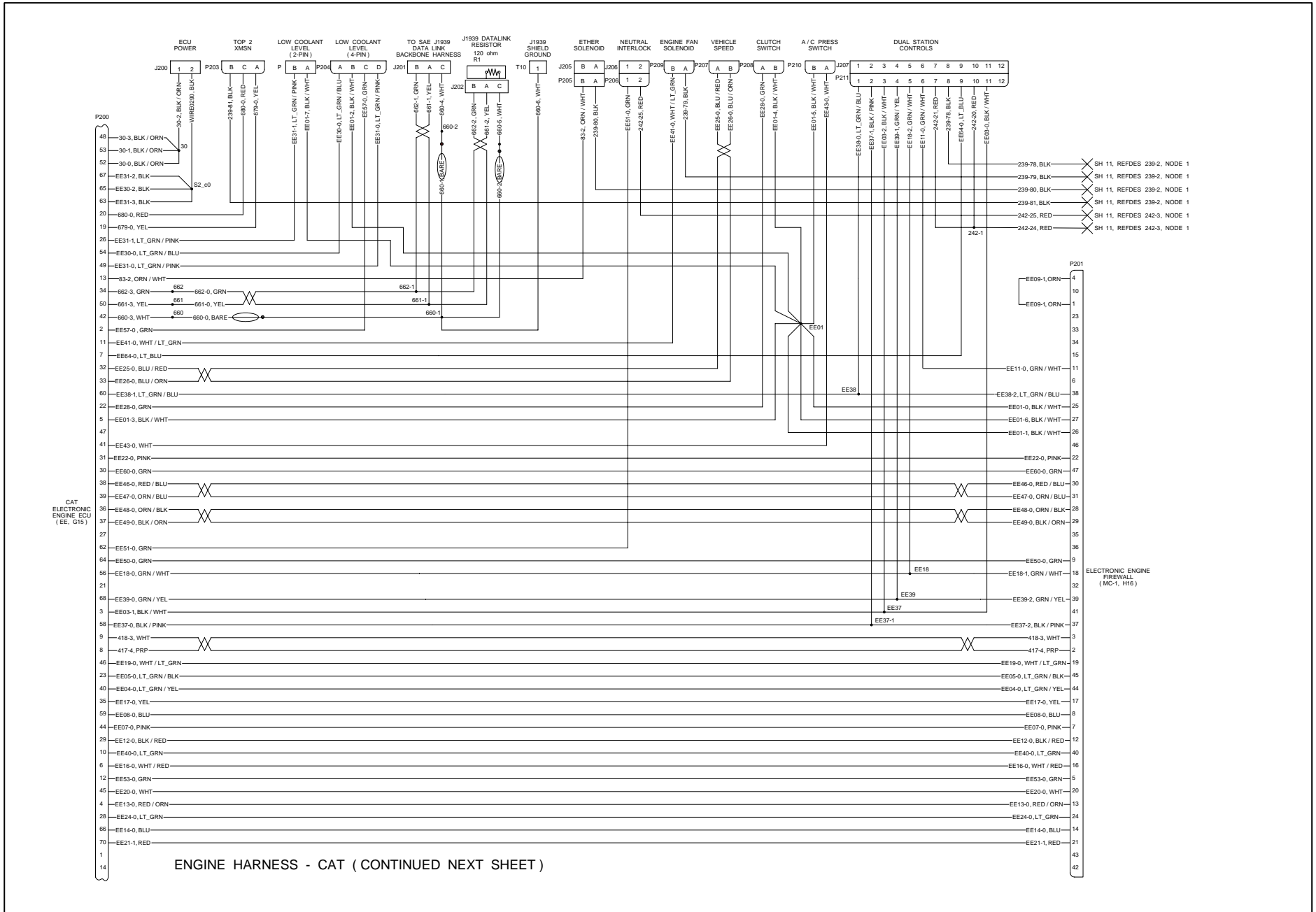


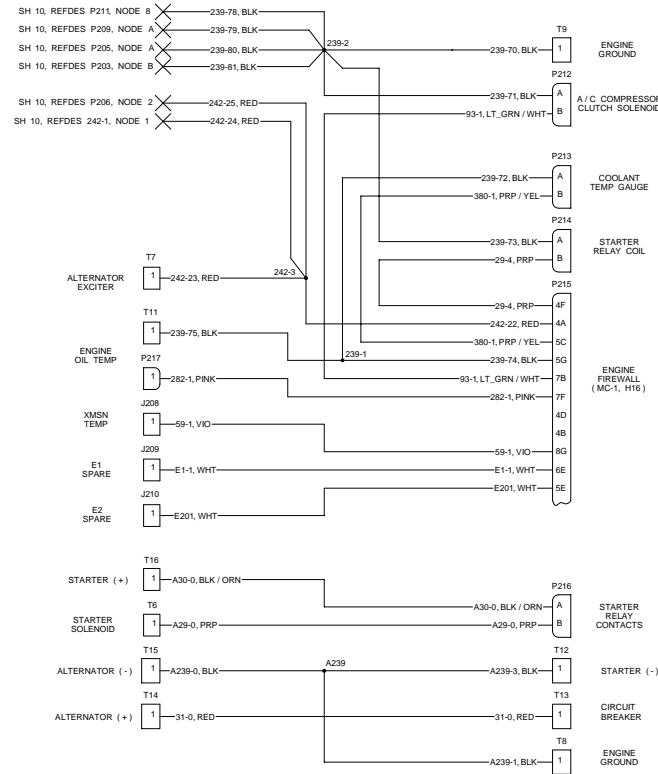




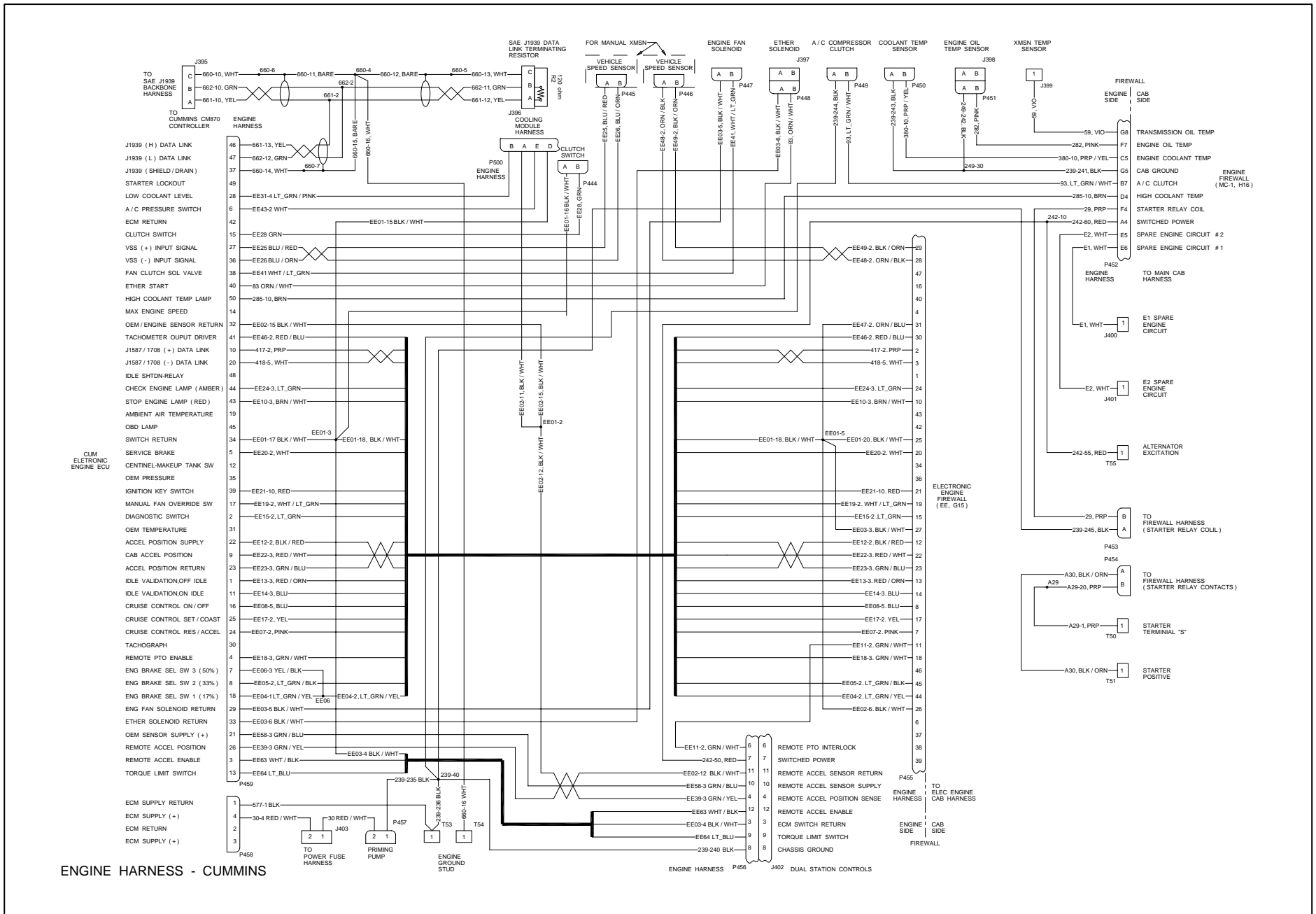


MAIN CAB HARNESS



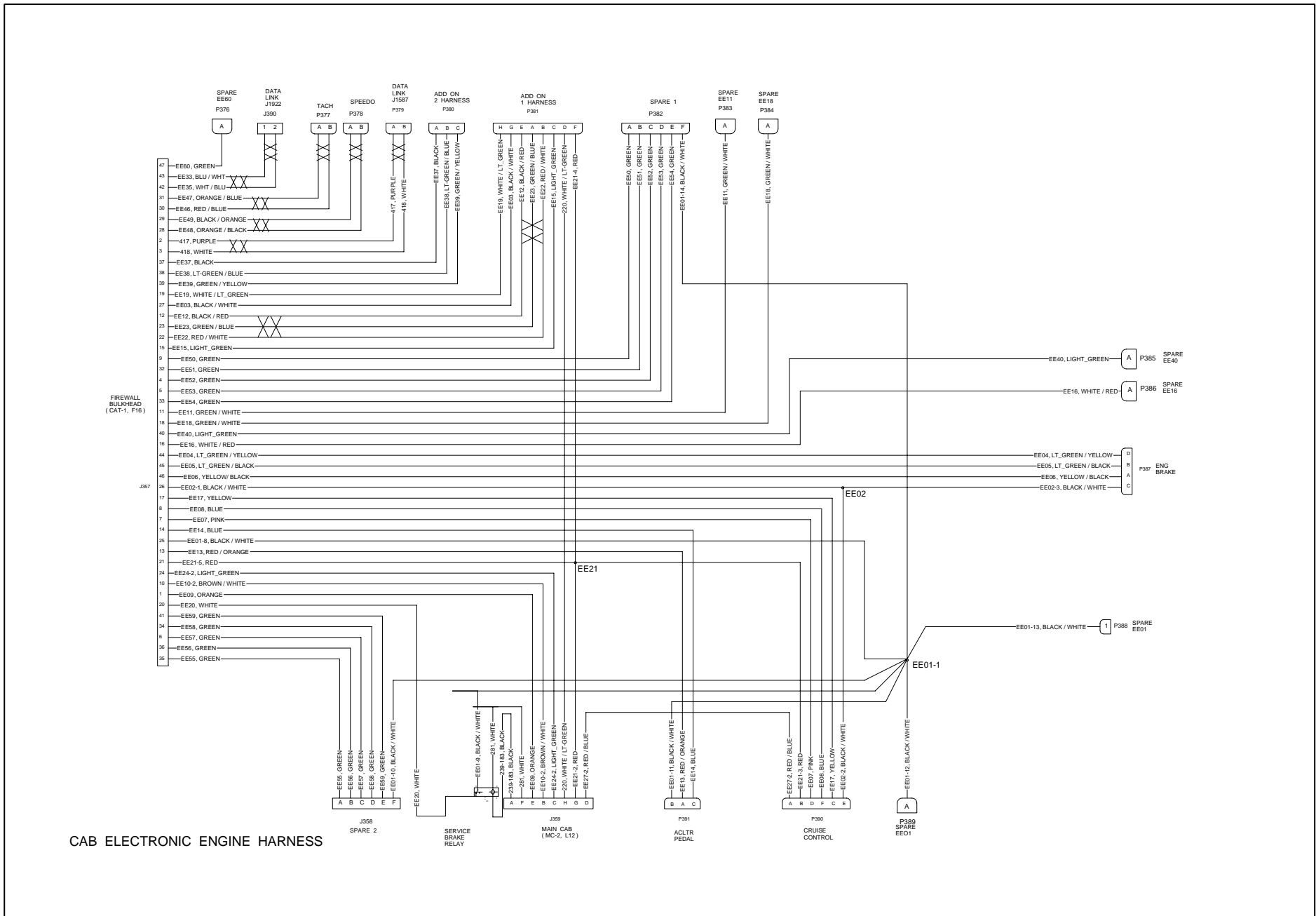


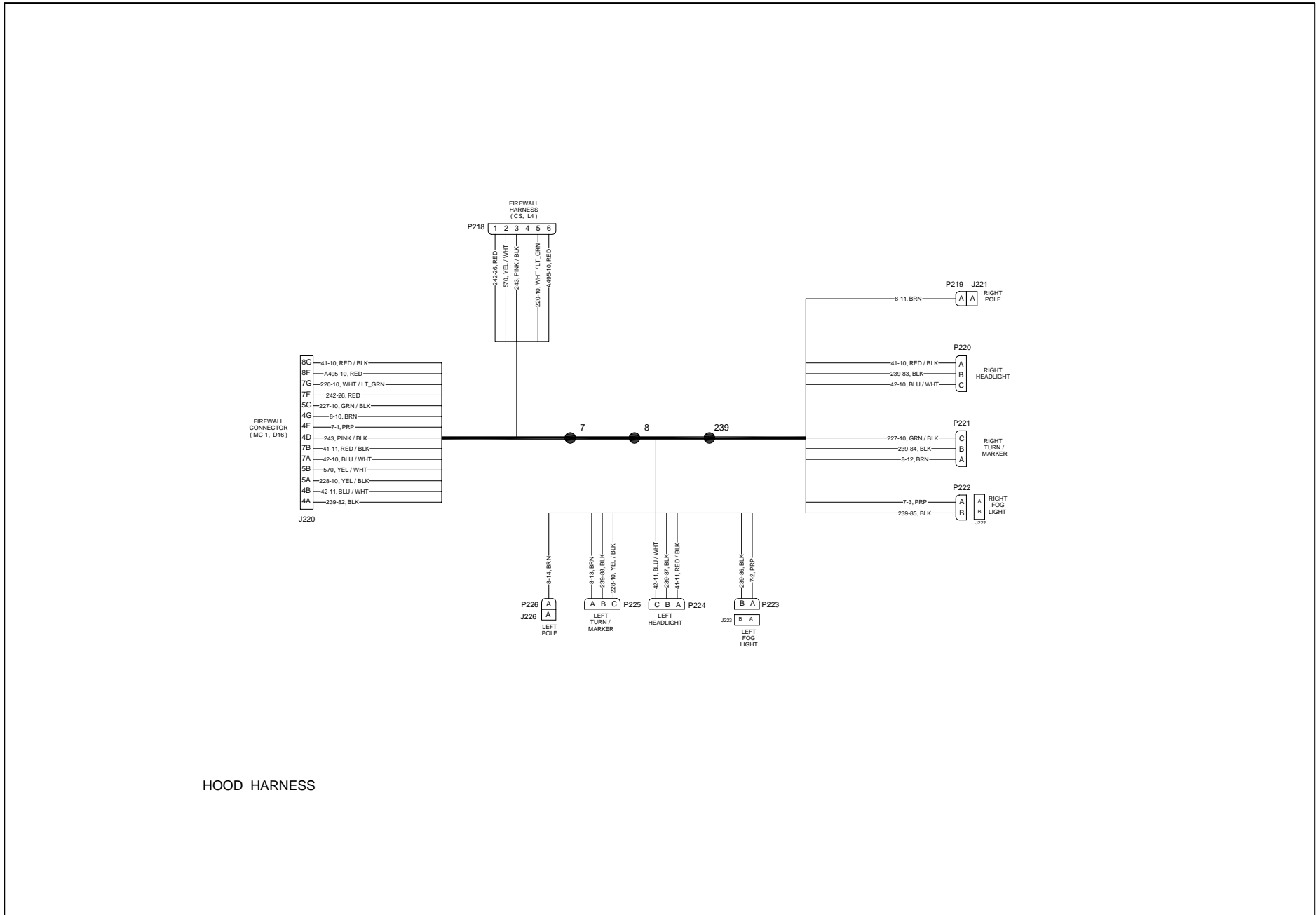
ENGINE HARNESS - CAT ( CONTINUED PREVIOUS SHEET )

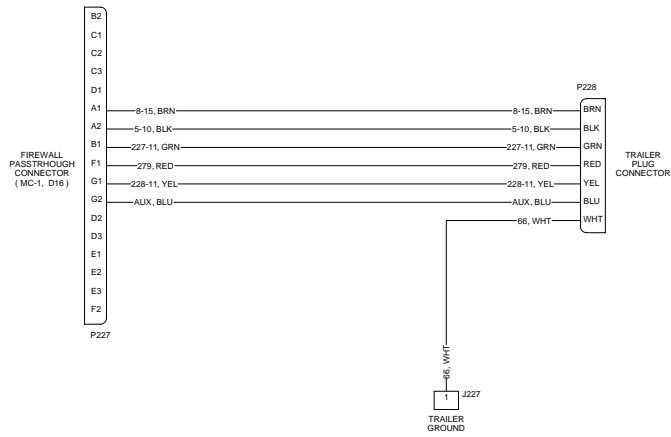


ENGINE HARNESS - CUMMINS

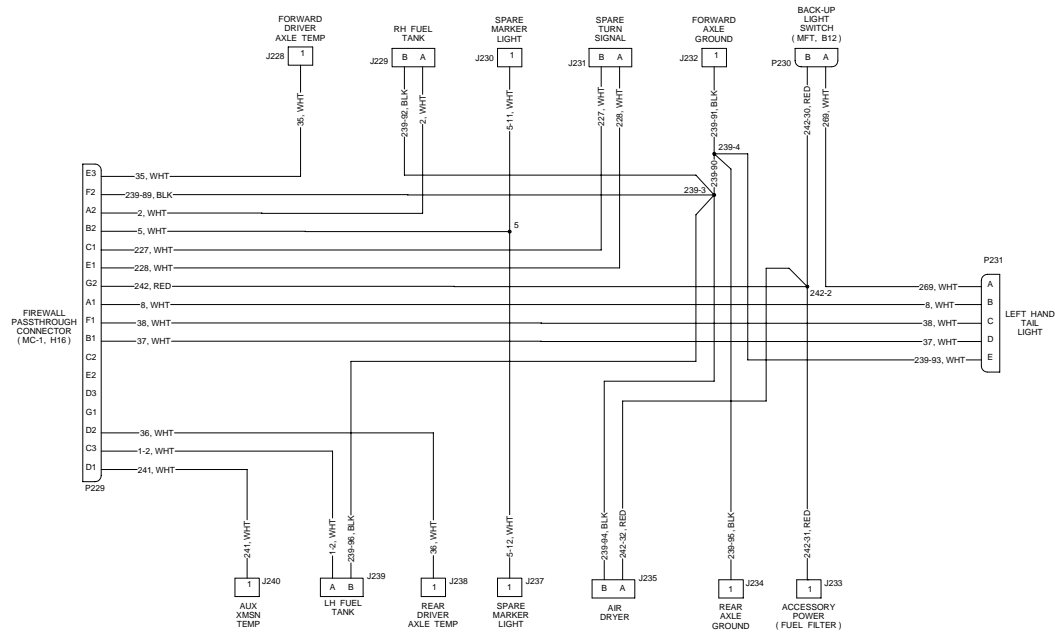






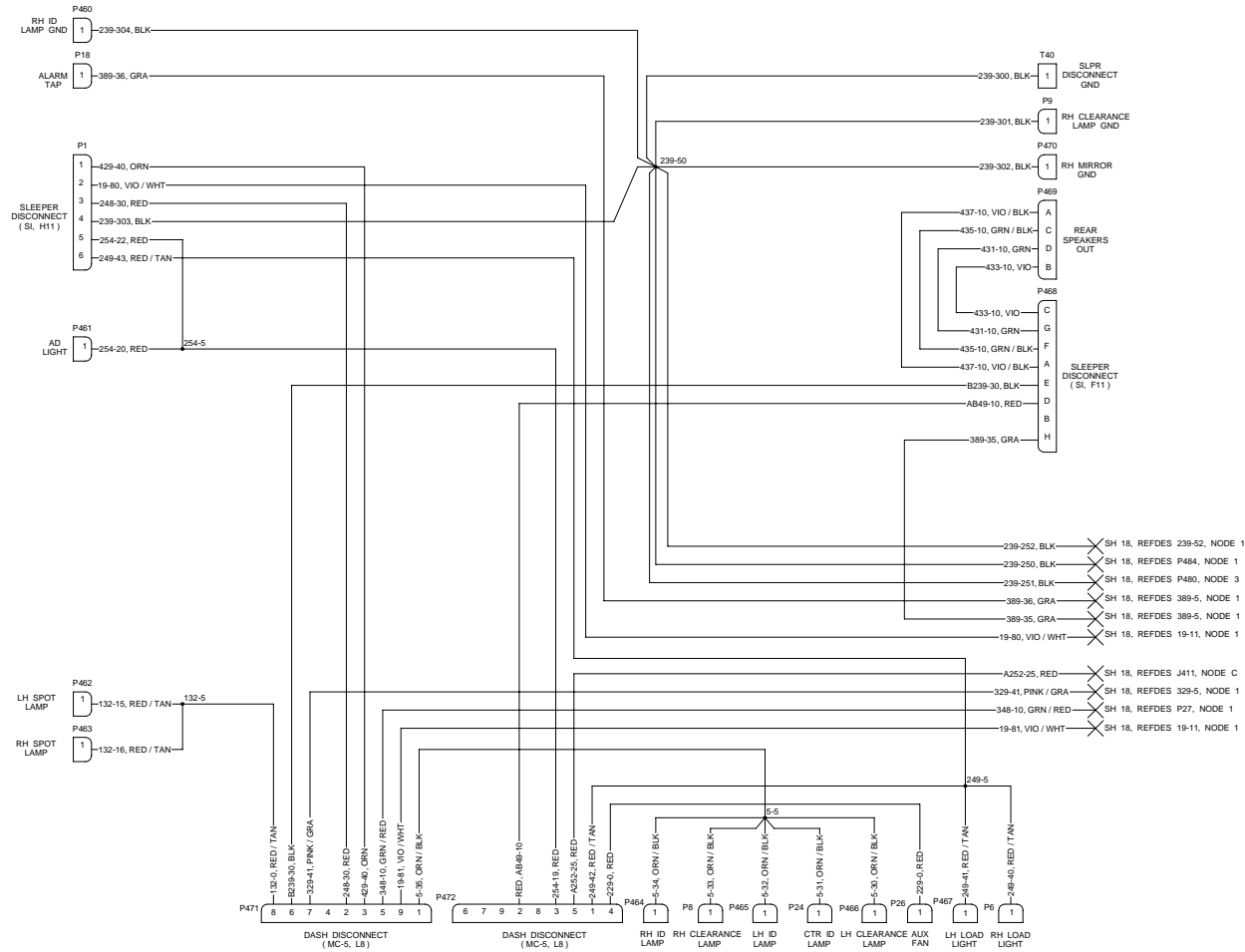


TRAILER HARNESS

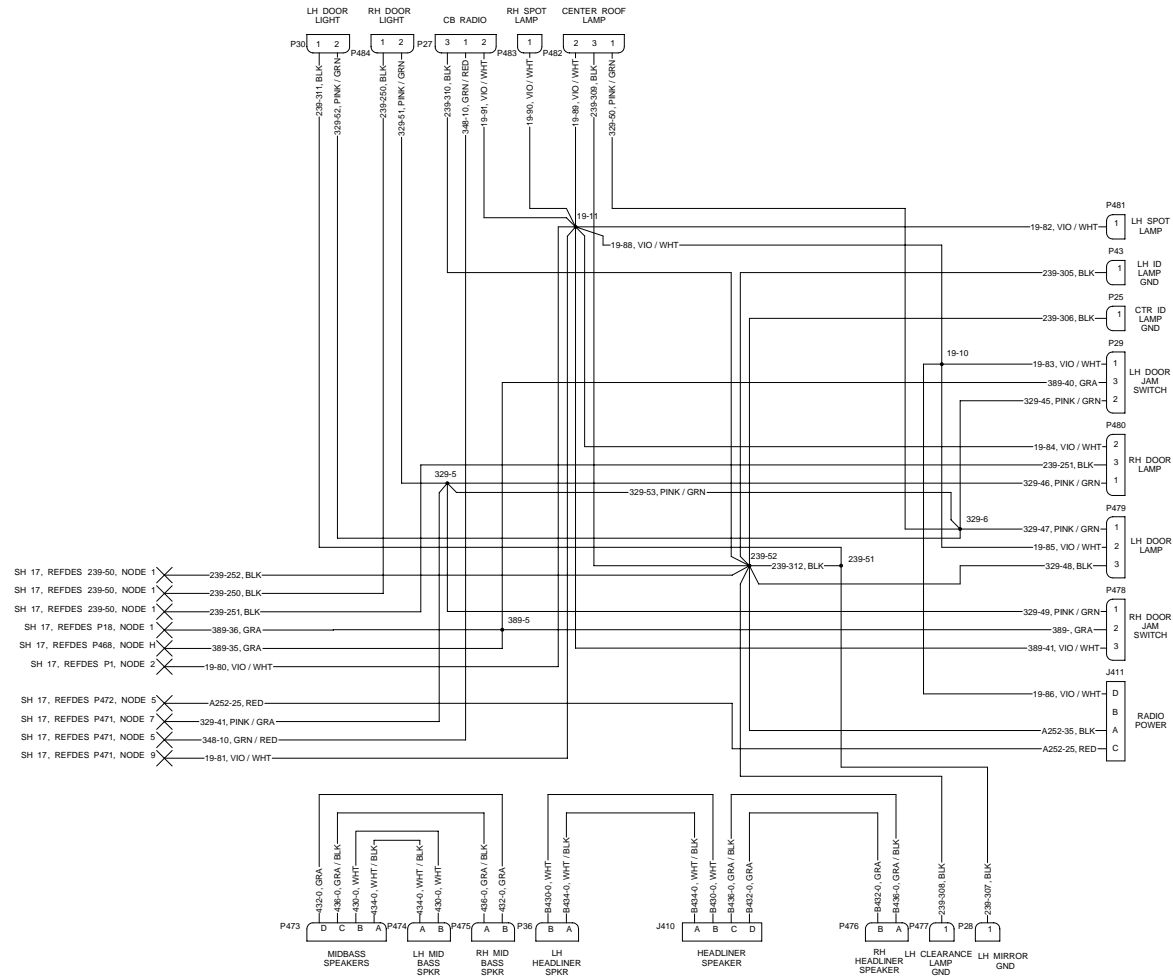


CHASSIS HARNESS



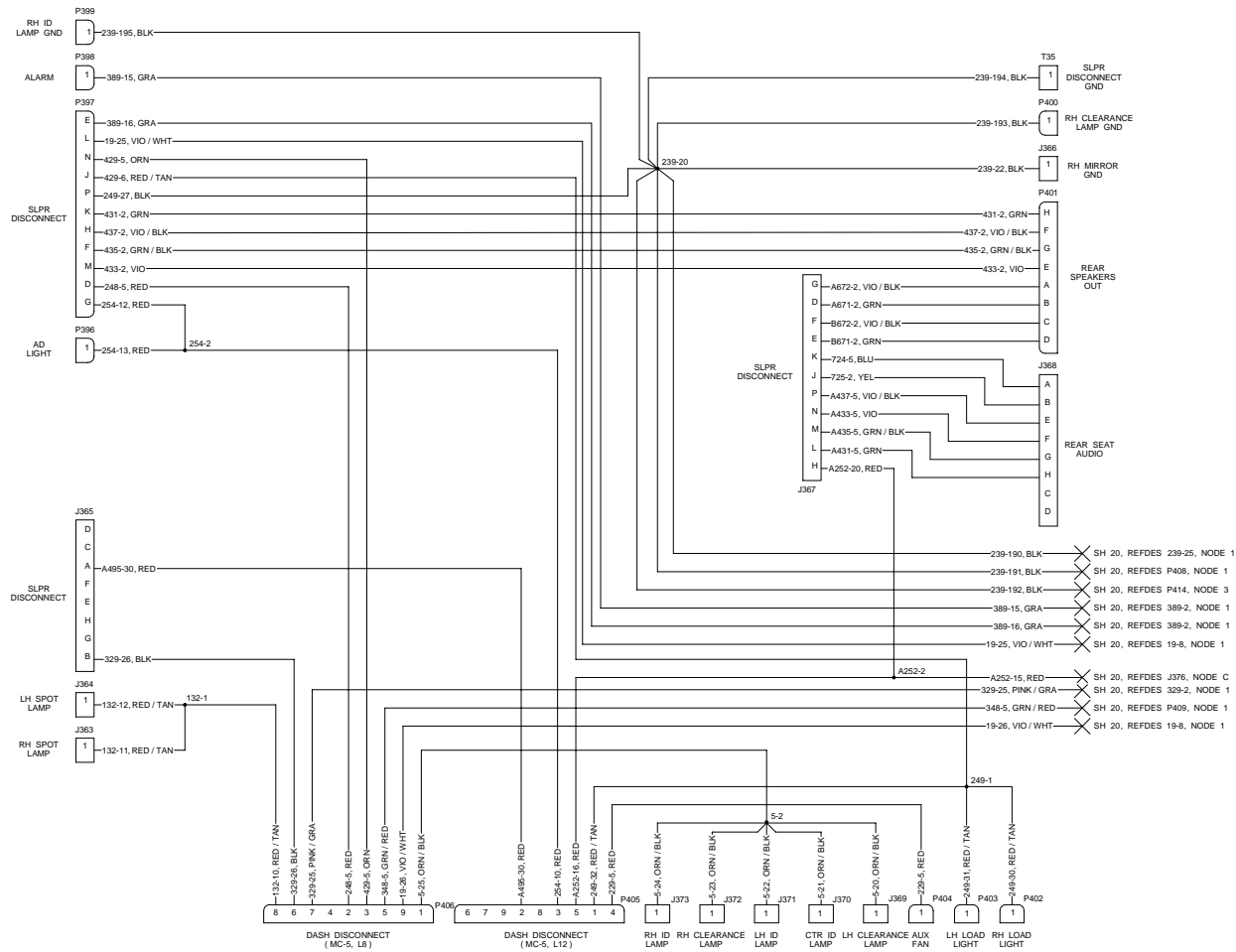


ROOF HARNESS - 63" NON-DELCO ( CONTINUED NEXT SHEET )



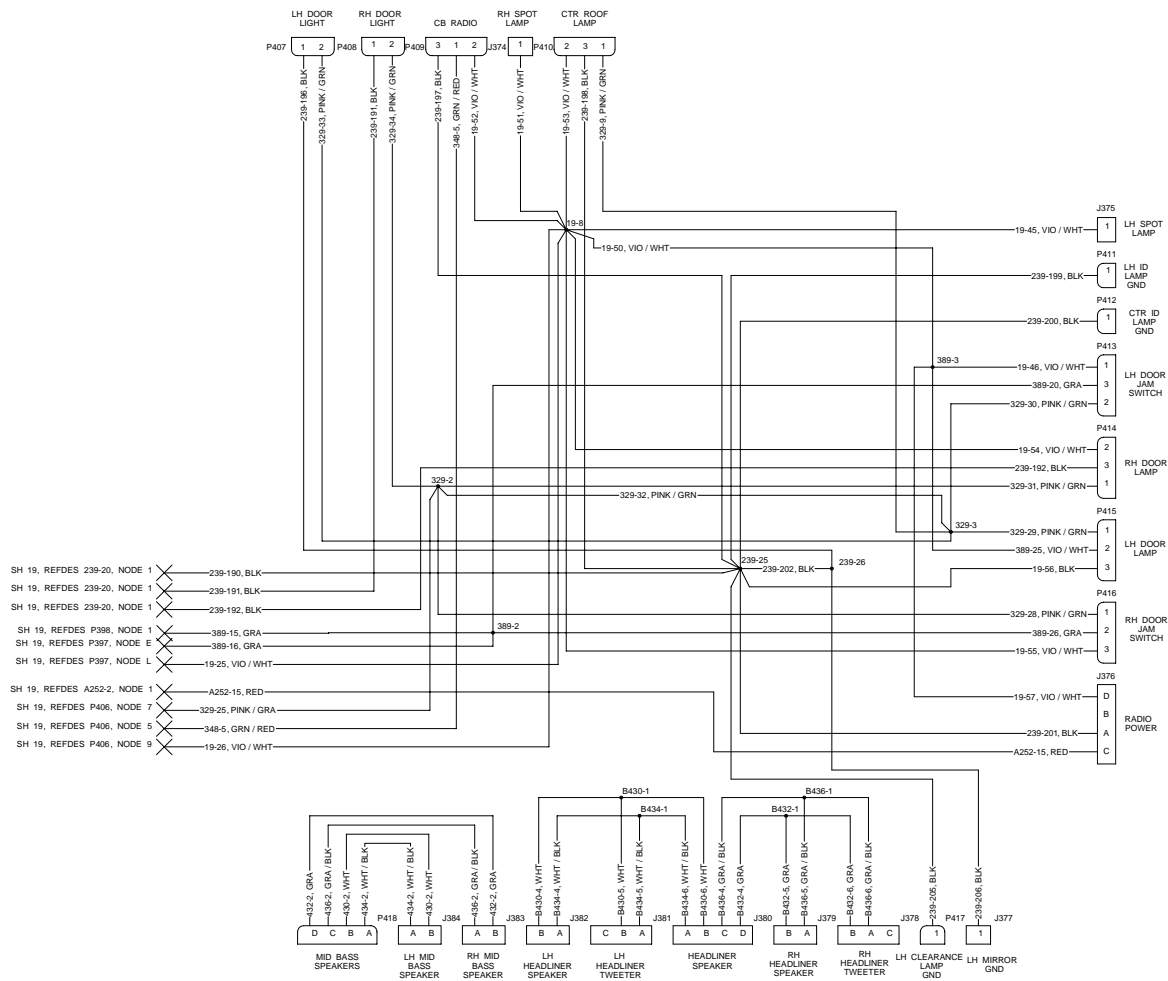
ROOF HARNESS - 63" NON-DELCO (CONTINUED PREVIOUS SHEET)





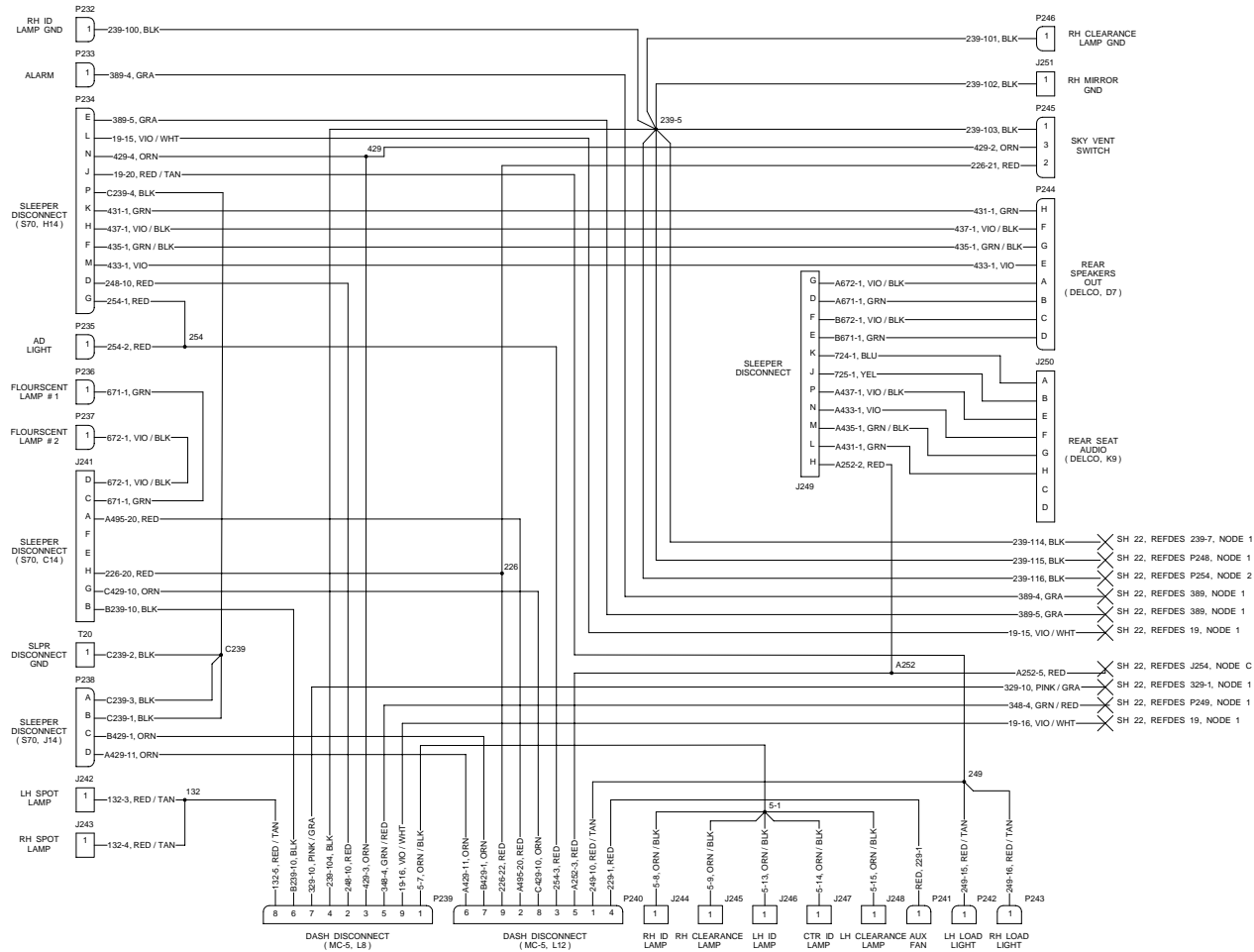
ROOF HARNESS - 63" DELCO (CONTINUED NEXT SHEET)





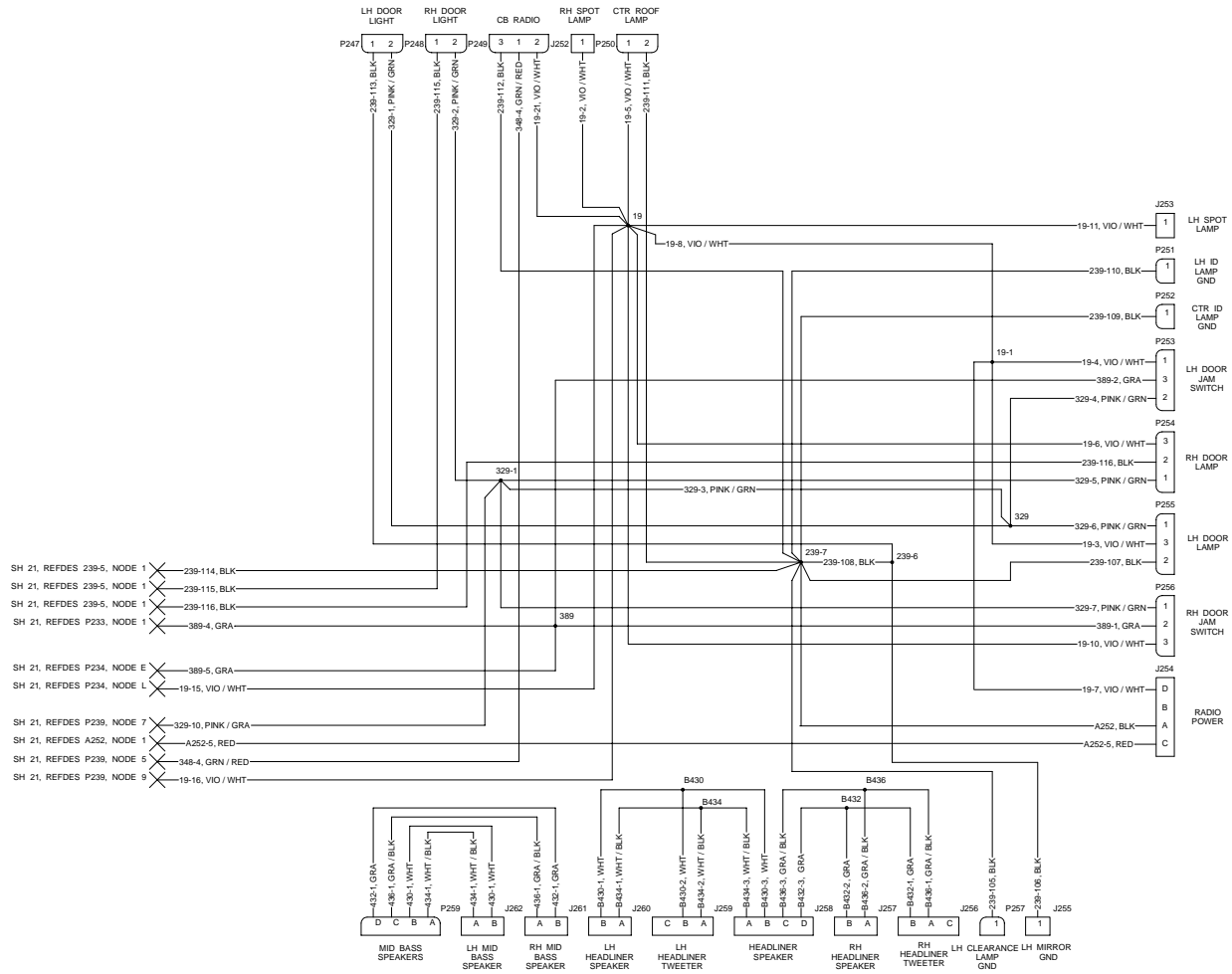
ROOF HARNESS - 63" DELCO (CONTINUED PREVIOUS SHEET)





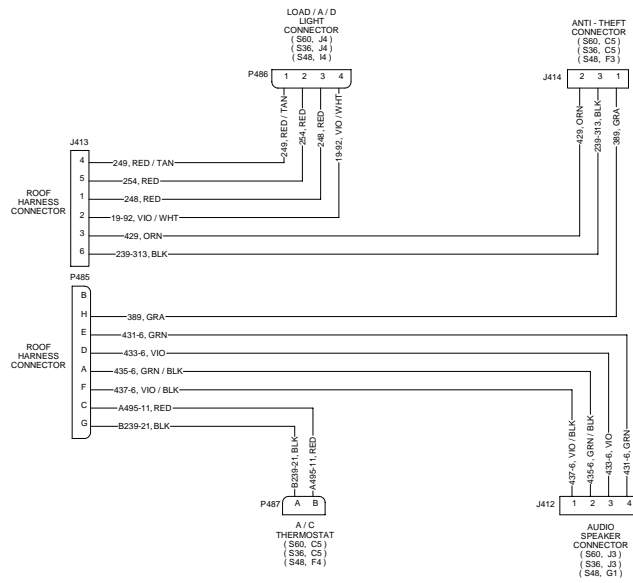
ROOF HARNESS - 70" ( CONTINUED NEXT SHEET )



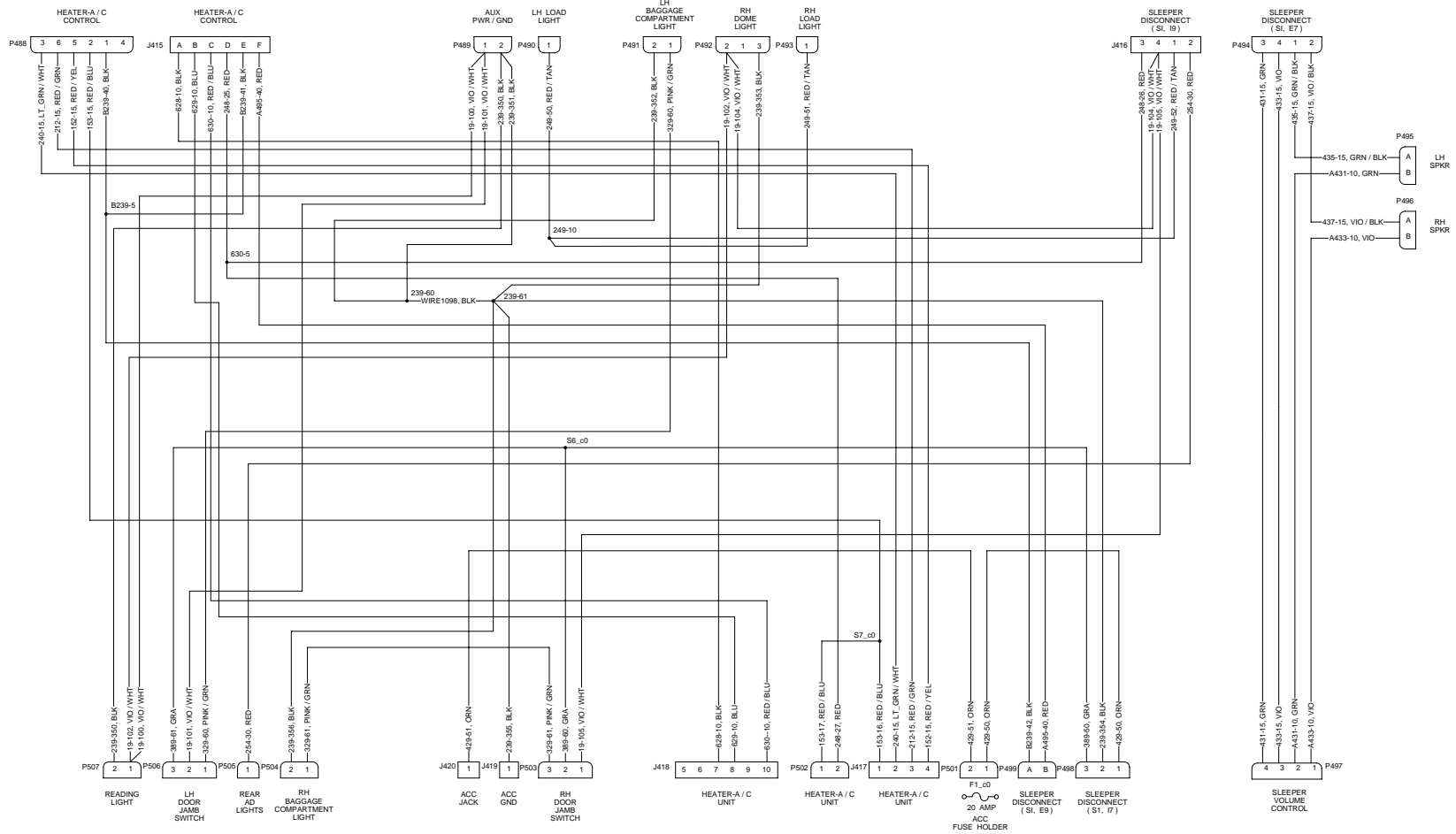


ROOF HARNESS - 70" (CONTINUED PREVIOUS SHEET)



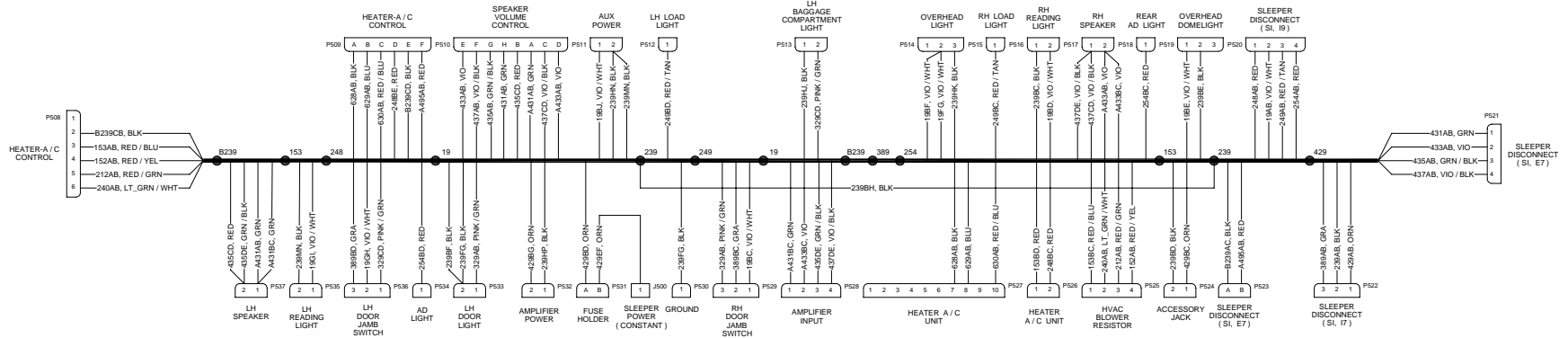


SLEEPER INTERFACE HARNESS



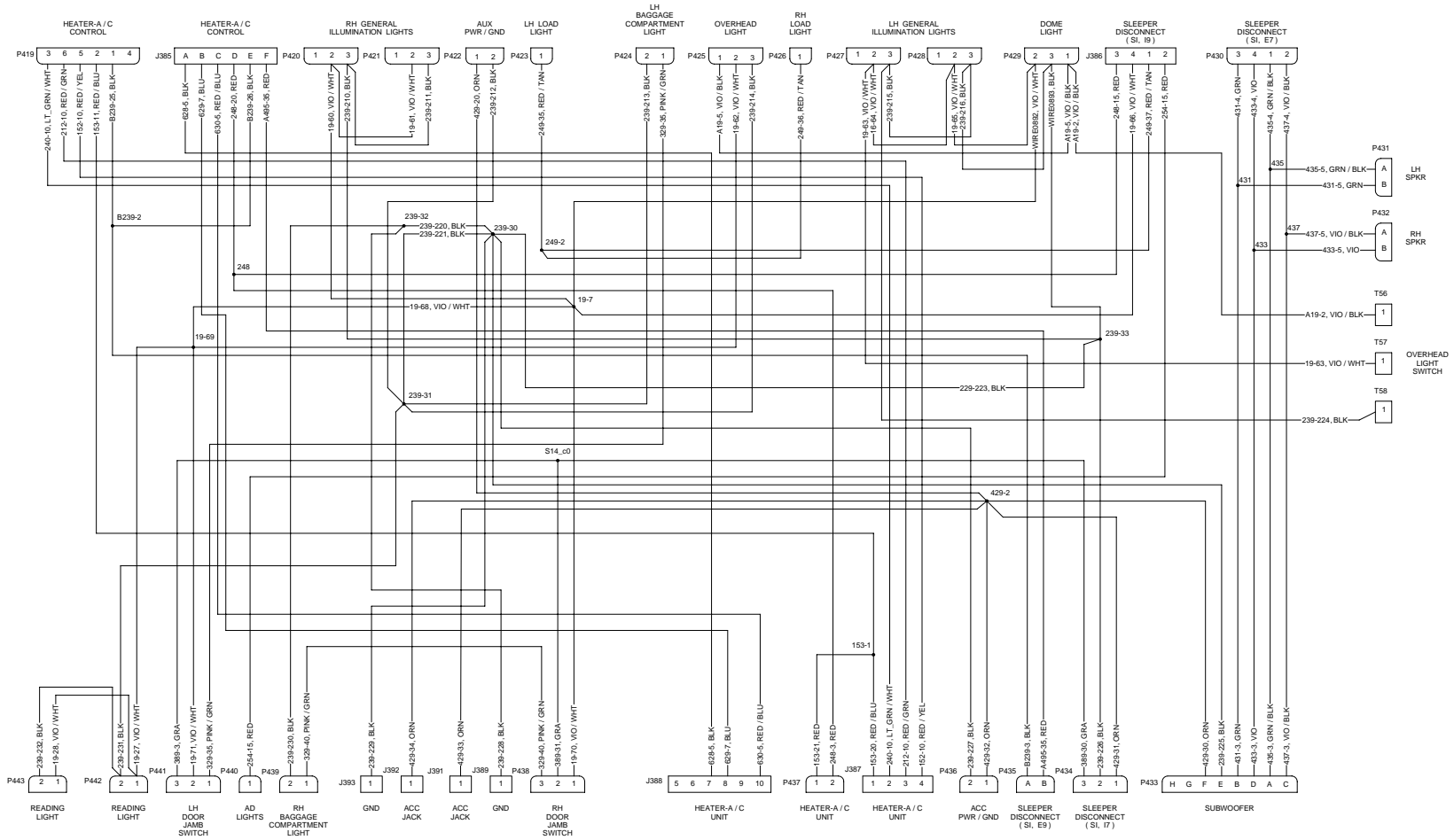
SLEEPER HARNESS - 36"





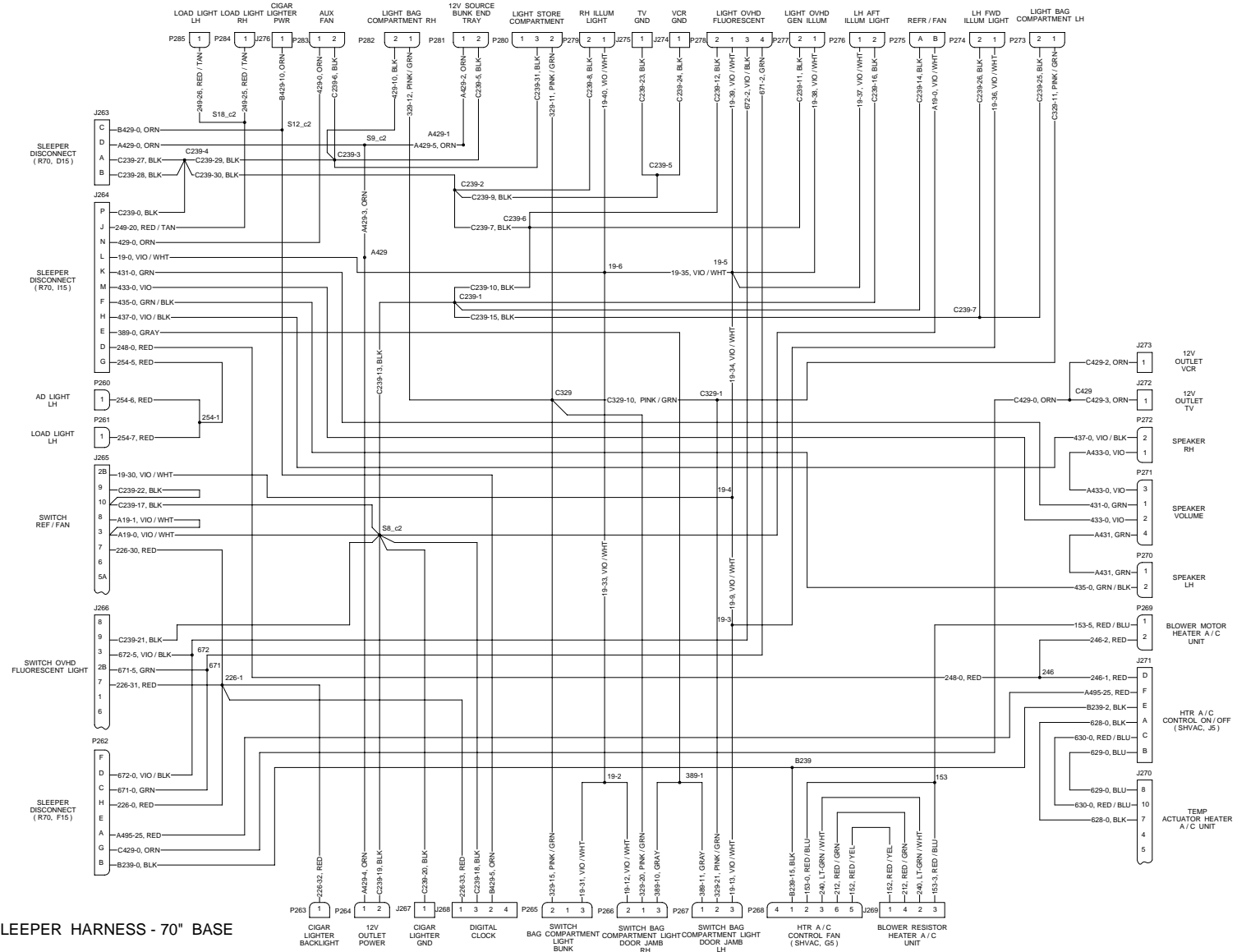
SLEEPER HARNESS - 48"





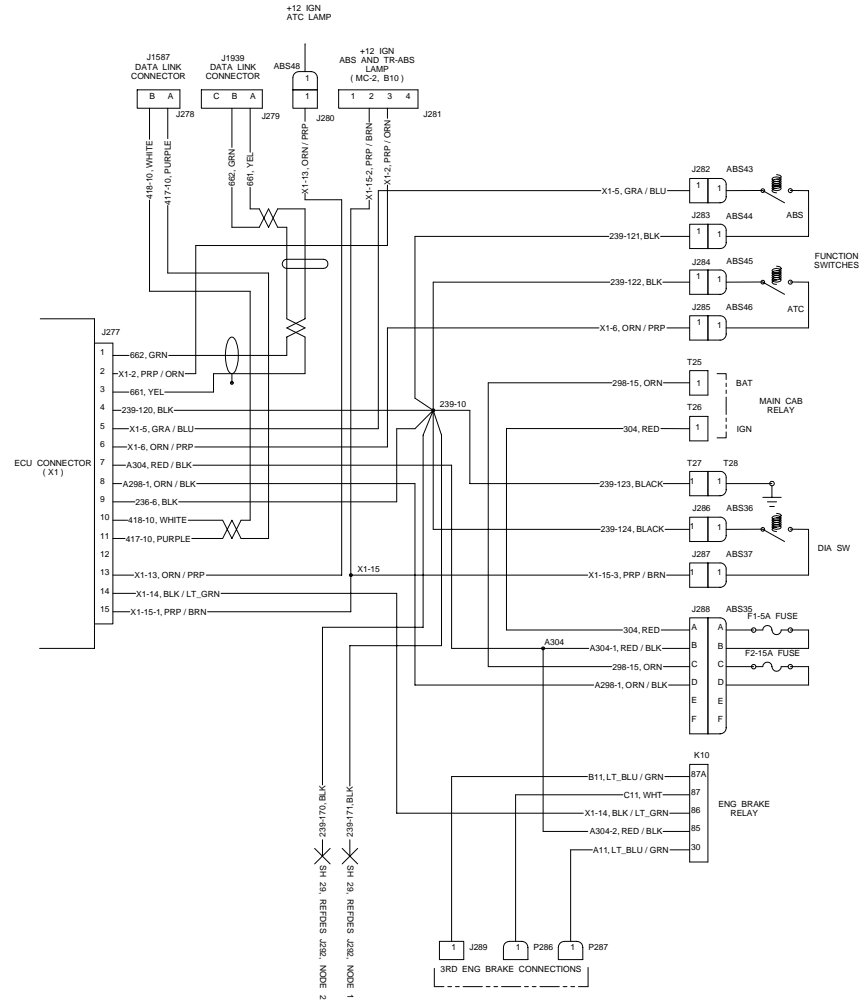
SLEEPER HARNESS - 48" / 63"



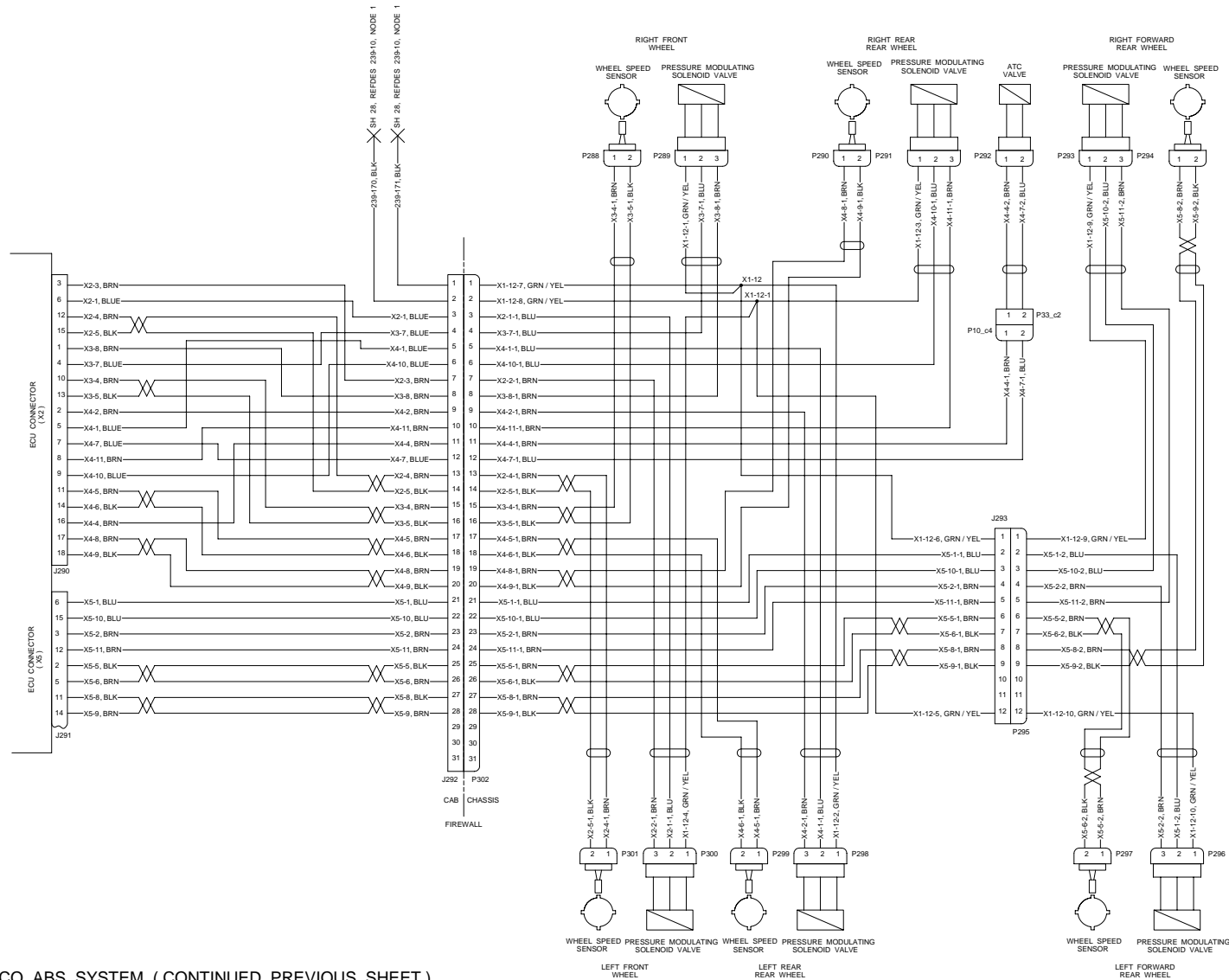


SLEEPER HARNESS - 70" BASE

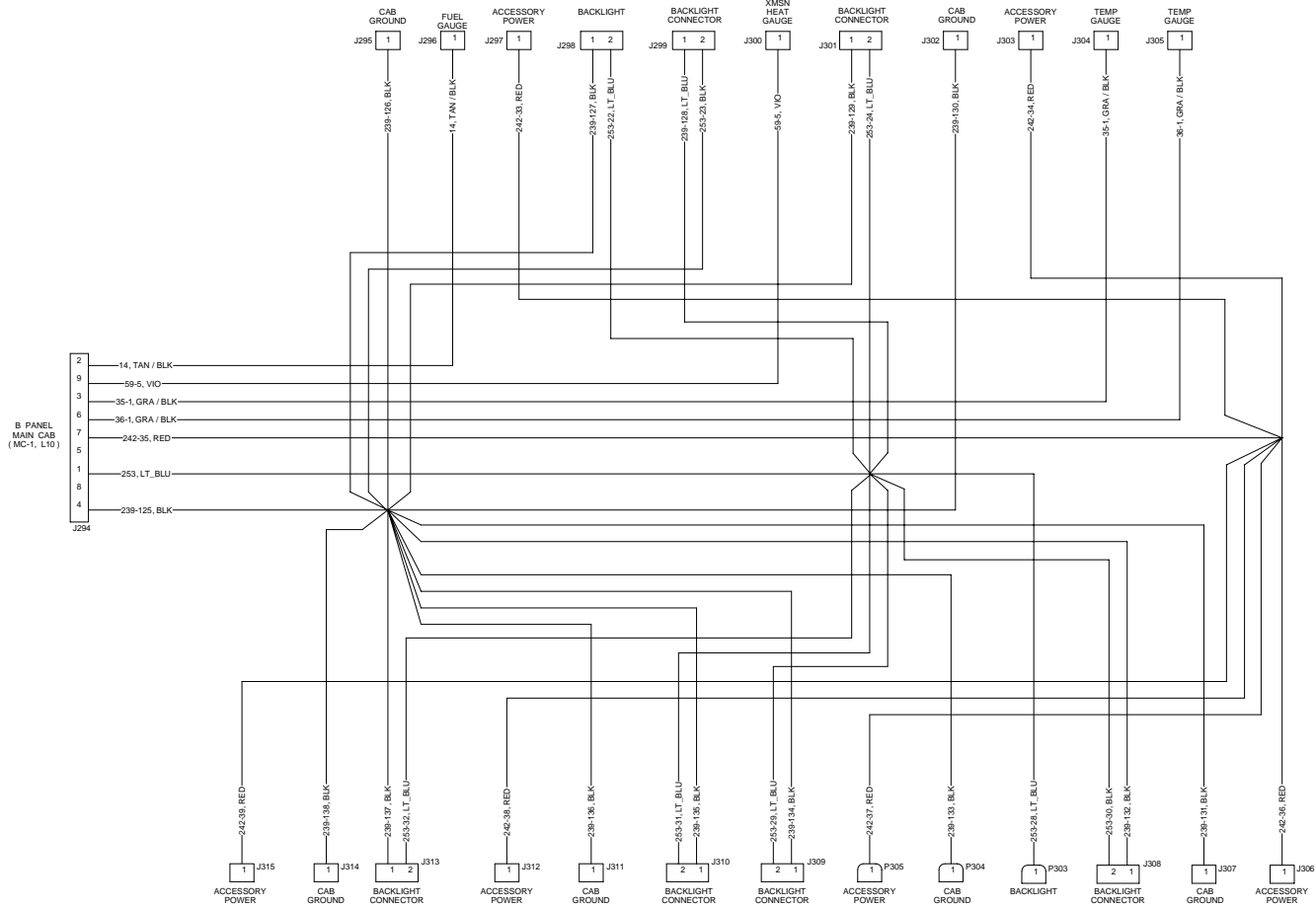




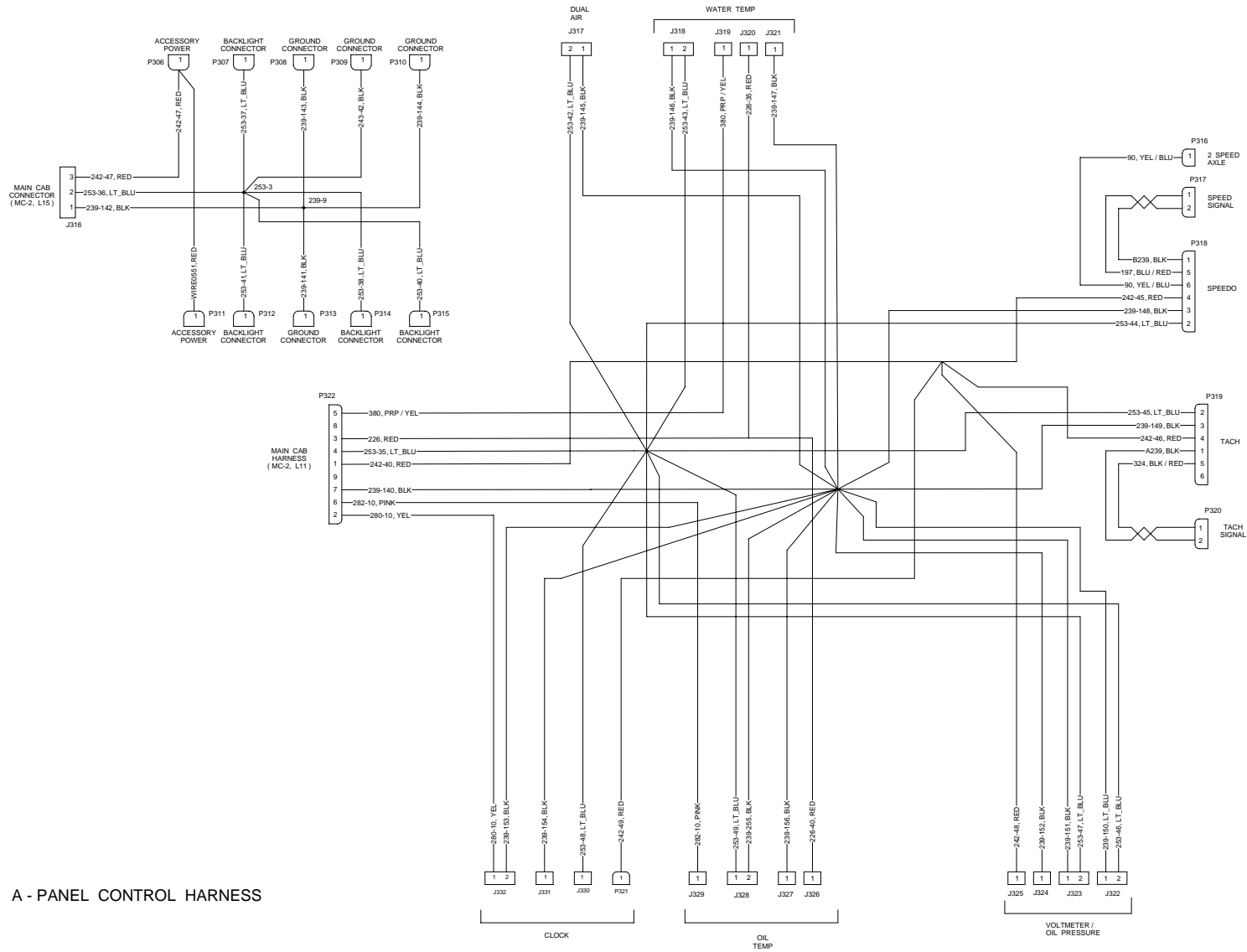
WABCO ABS SYSTEM (CONTINUED NEXT SHEET)



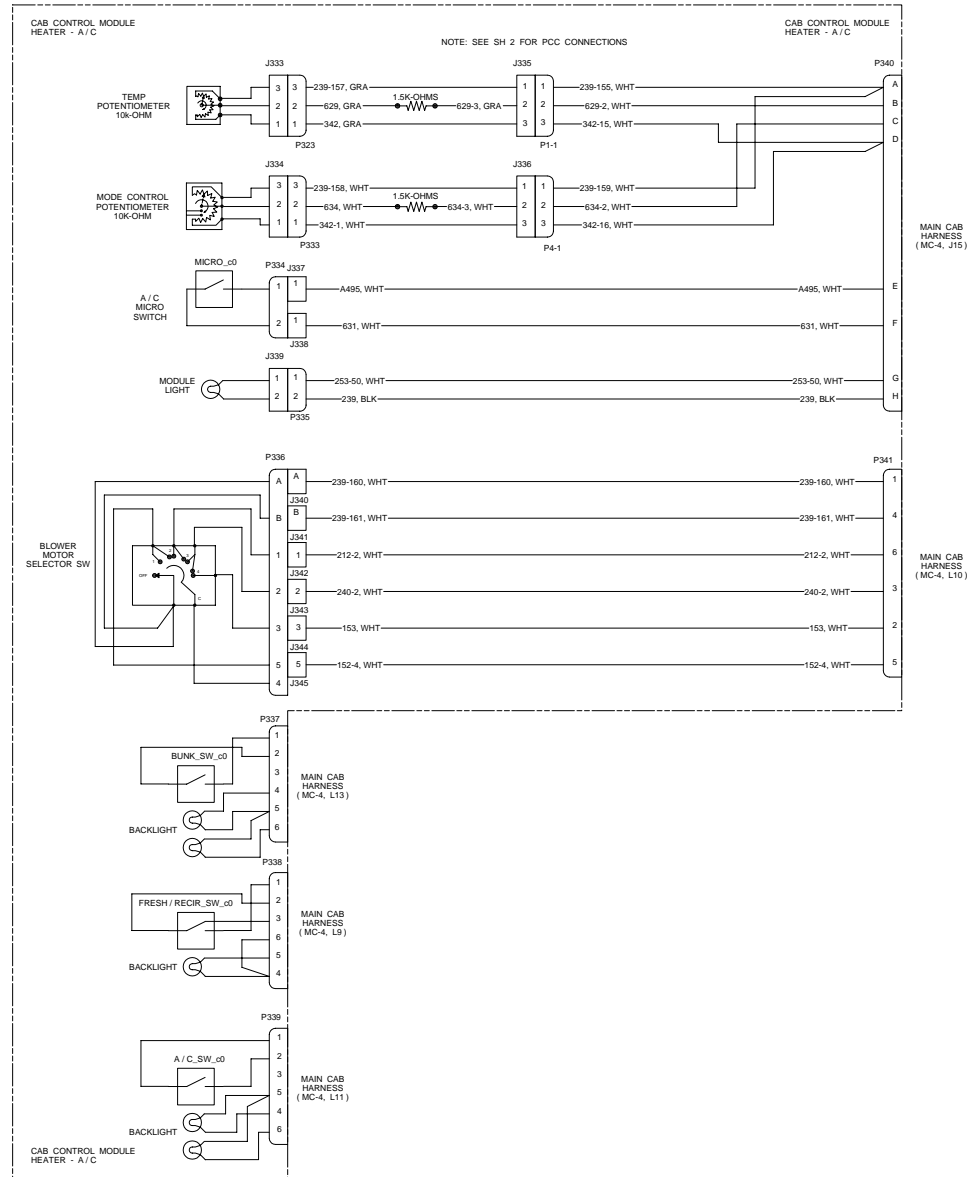
WABCO ABS SYSTEM ( CONTINUED PREVIOUS SHEET )



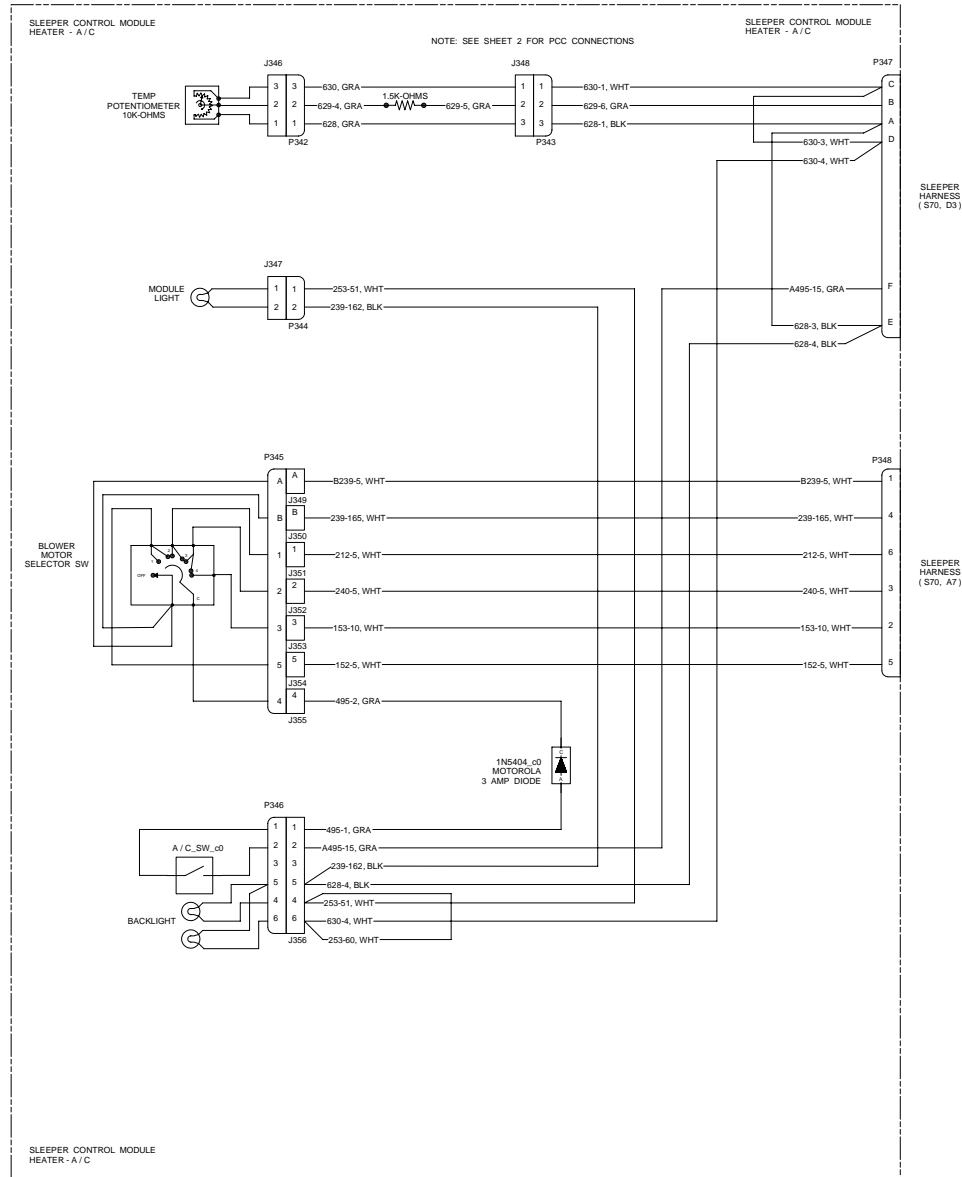
B-PANEL CONTROL HARNESS

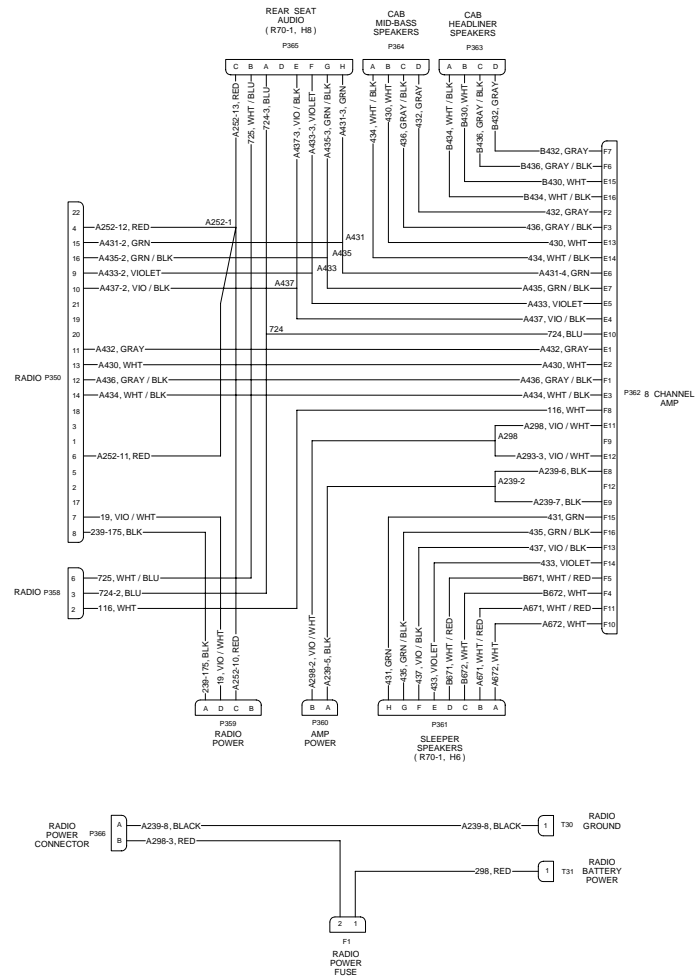


A - PANEL CONTROL HARNESS



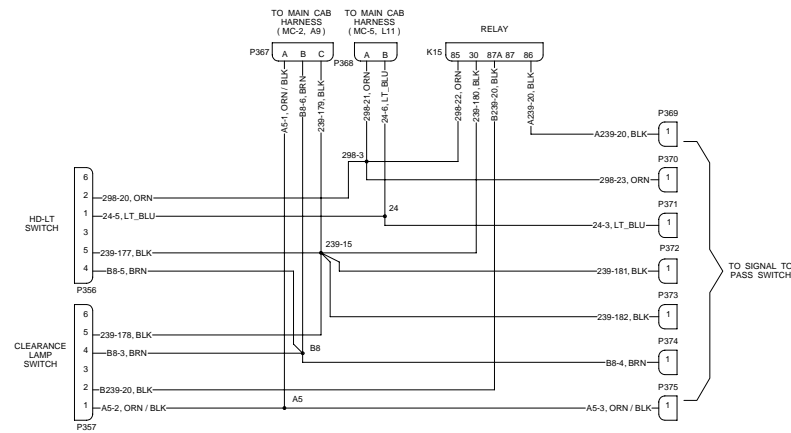




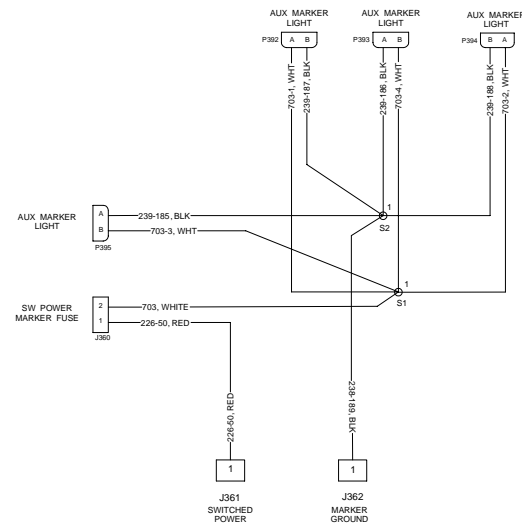


DELCO RADIO HARNESS

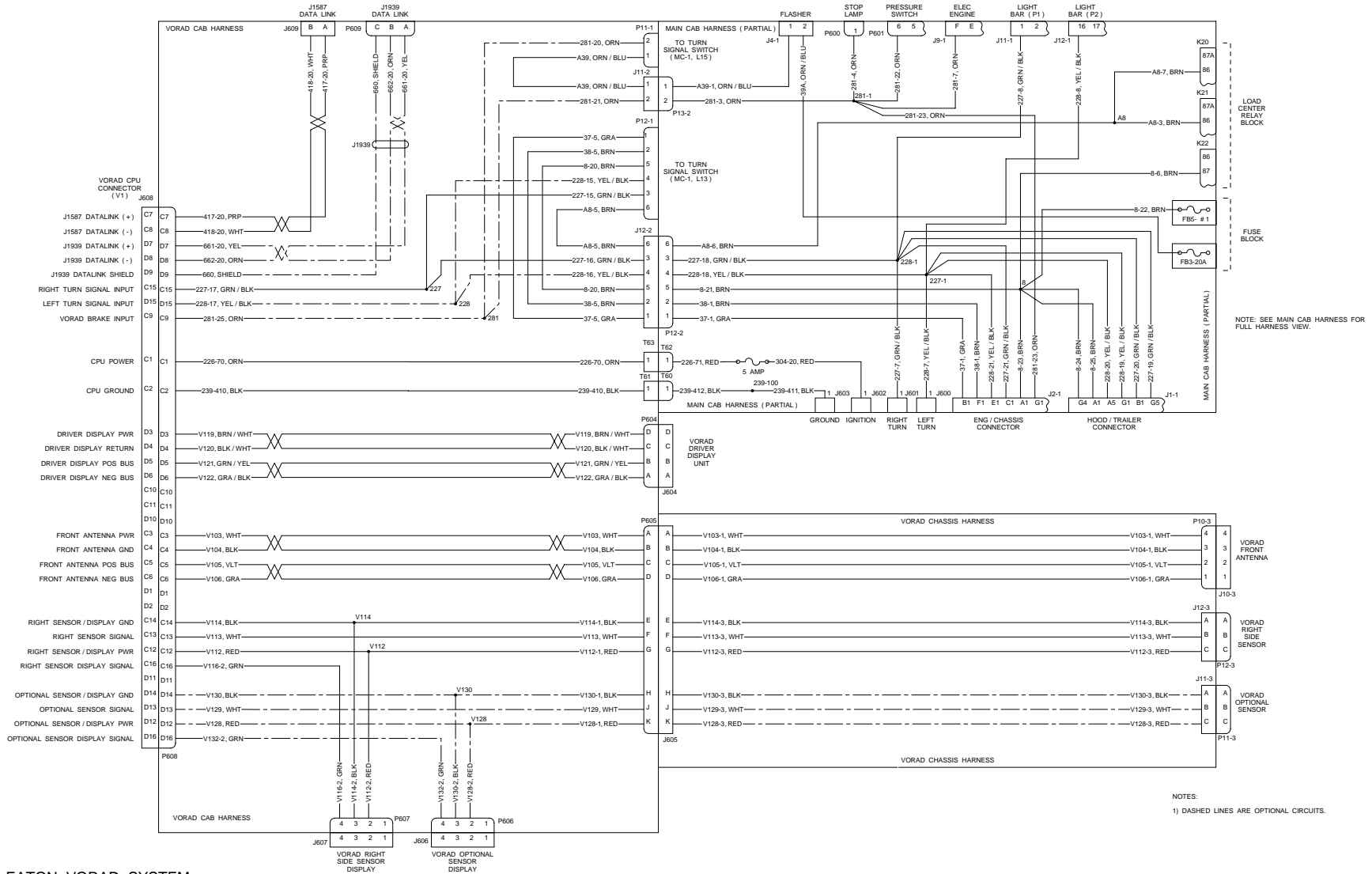




HEAD LIGHTS PASS SIGNAL HARNESS

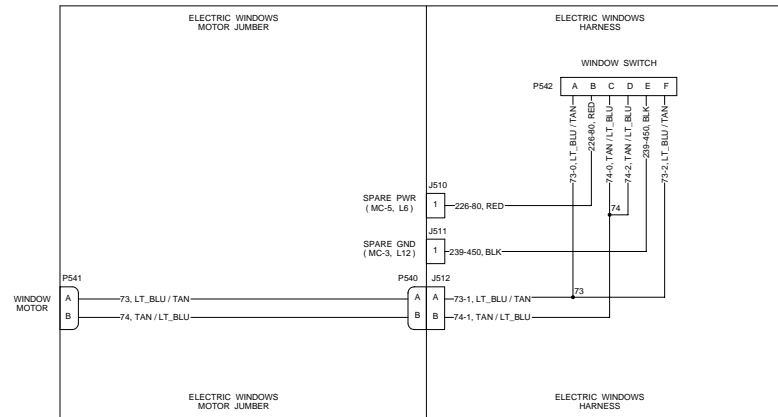


PANEL LIGHT HARNESS

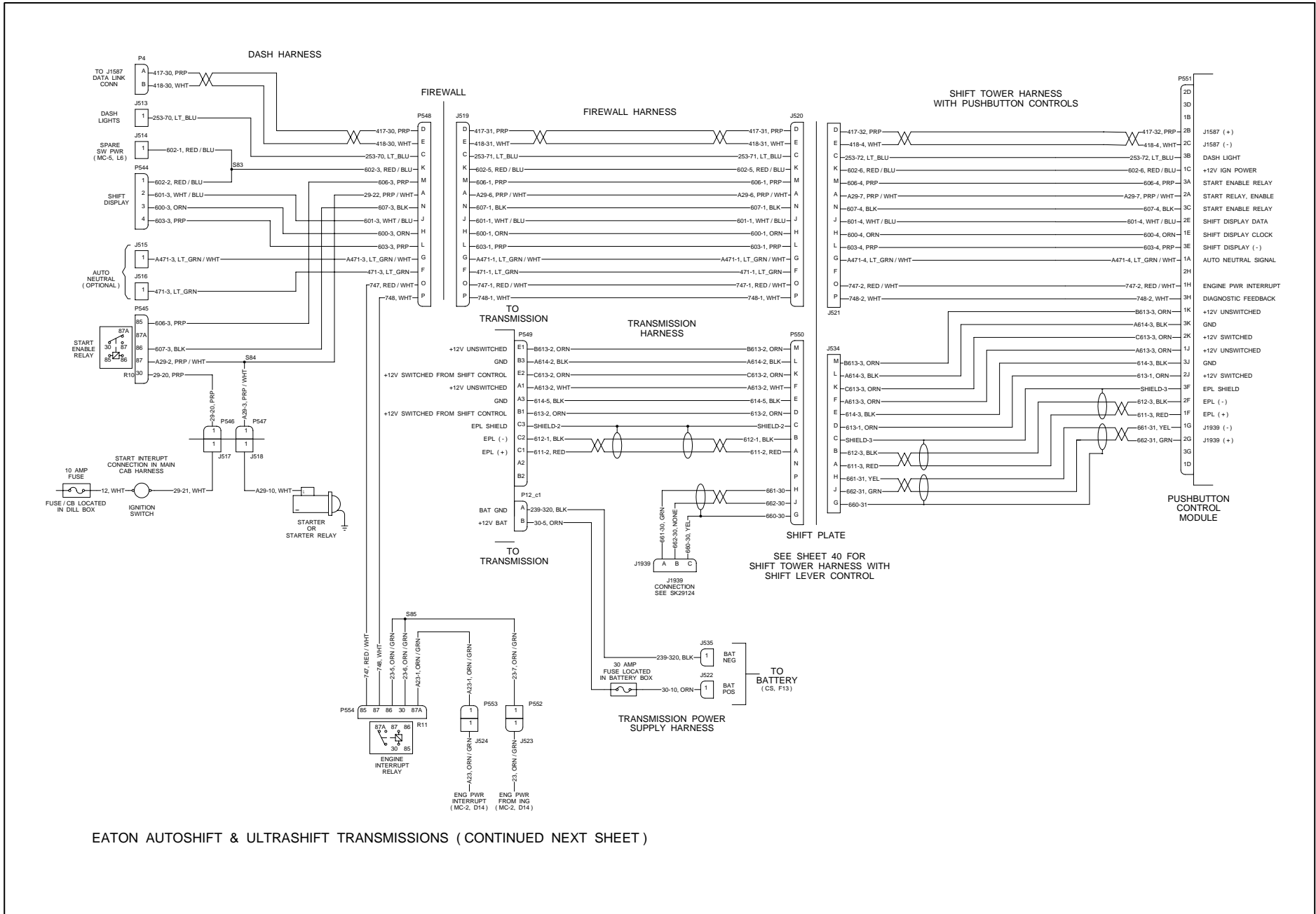


EATON VORAD SYSTEM

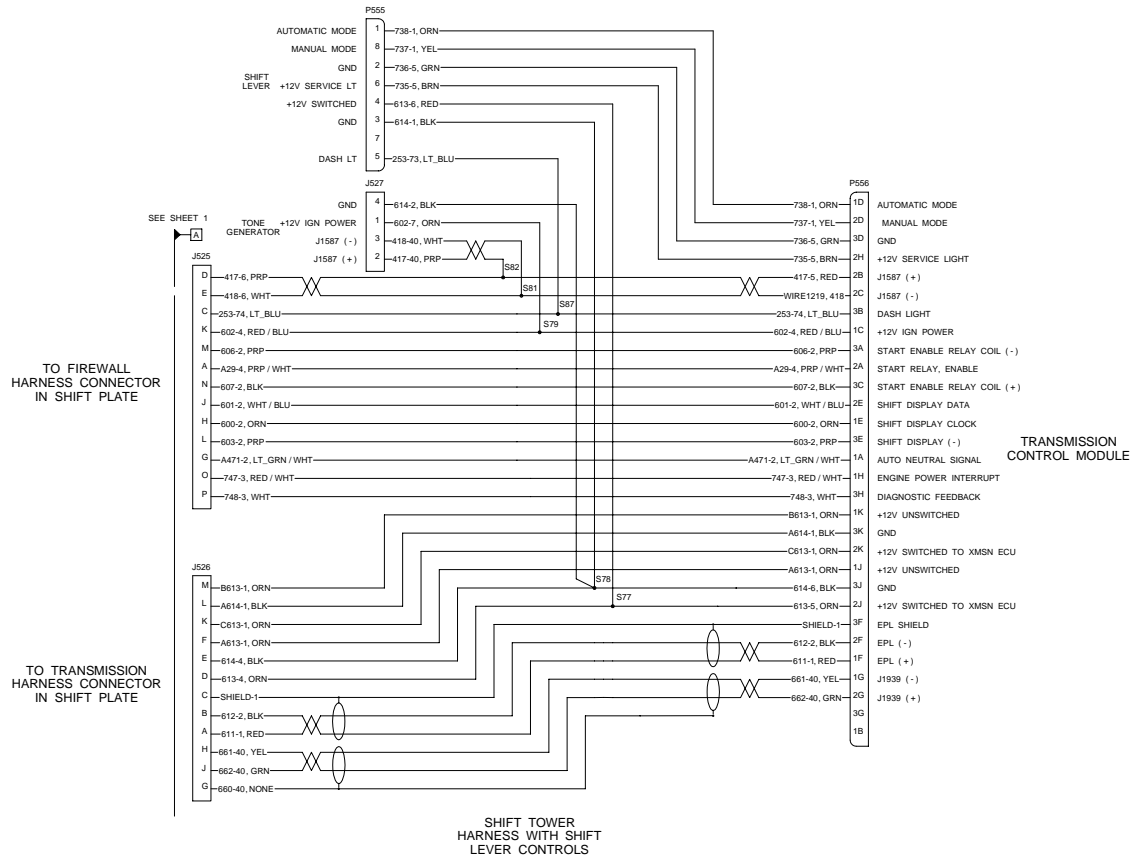




ELECTRIC WINDOW SYSTEM



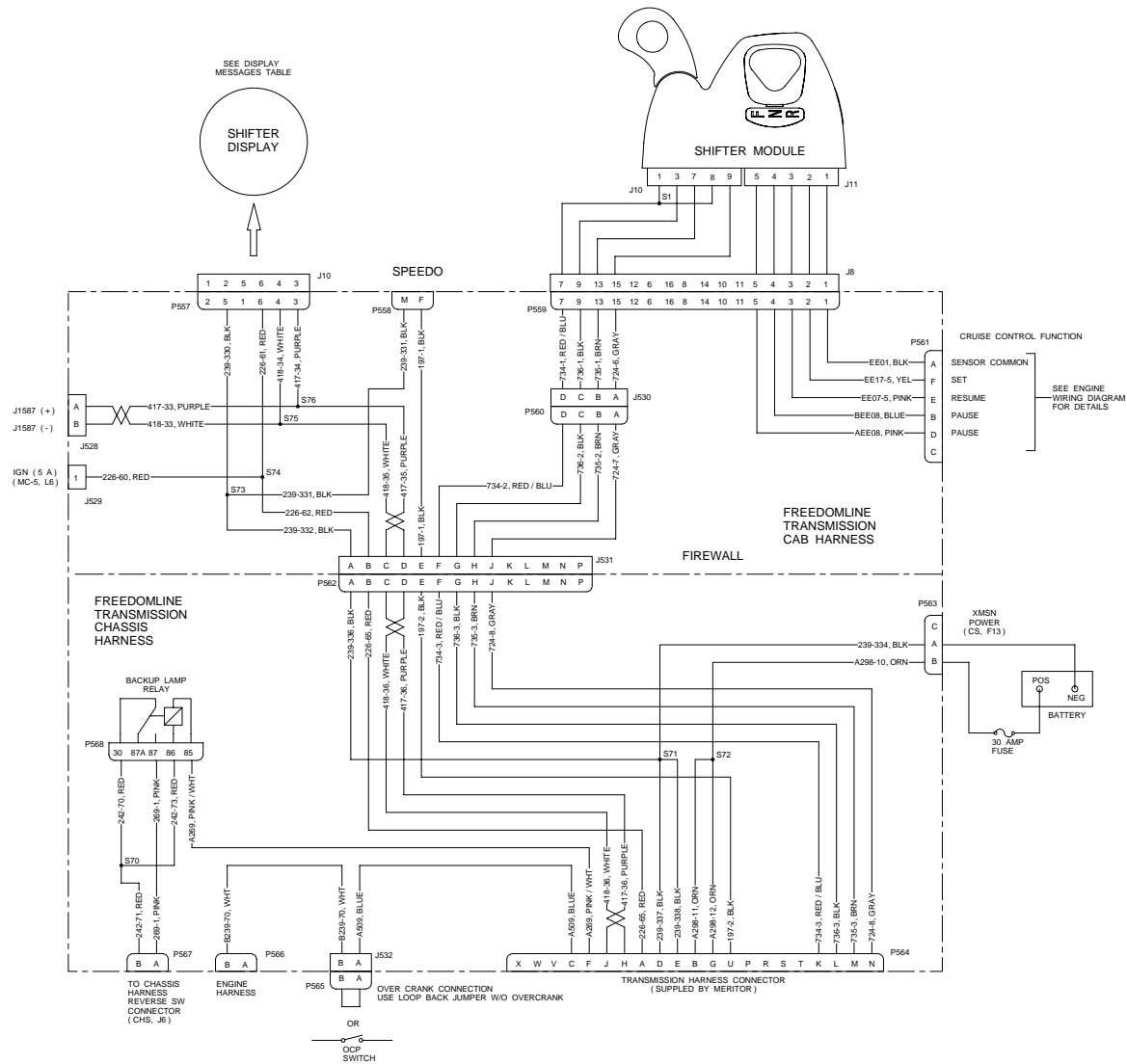
EATON AUTOSHIFT & ULTRASHIFT TRANSMISSIONS ( CONTINUED NEXT SHEET )



EATON AUTOSHIFT & ULTRASHIFT TRANSMISSIONS ( CONTINUED PREVIOUS SHEET )







MERITOR FREEDOMLINE TRANSMISSION