

Engineering Release Notice (ERN)	Location	Change Description	A = Added D = Deleted	W = Was	Document Release Status RELEASED
D-15704-42		SEE DCN			Date Modification Count

WIRING DIAGRAM INDEX, 12V

NAME	DESCRIPTION	PAGE	NAME	DESCRIPTION	PAGE
AA	POWER DISTRIBUTION 1/2	2	EC	VEHICLE ECU (ECS)	43
AB	POWER DISTRIBUTION 2/2	3	FA	AIR DRYER/HEATED DRAIN	44
AC	KEY SW., START & CHARGING	4	FB	CHASSIS SOLENOIDS	45
AD	GROUNDING 1/2	5	FD	PARKER PTO	46
AE	BATTERY CONFIGURATION	6	FE	CENTRAL TIRE INFLATION	47
AF	GROUNDING 2/2 CUMMINS	7	GA	LIGHTING CONTROL	48
AG	STARTING AND CHARGING CUMMINS	8	GD	LIGHTING-FORWARD/SIGNAL (CXU, GU7, GU8)	49
AH	EARC CUMMINS	9	GE	LIGHTING-FORWARD/SIGNAL (CHU ONLY)	50
BA	VEHICLE ECU 1/4	10	GF	LIGHTING-TAIL/PERIMETER	51
BB	VEHICLE ECU 2/4	11	GG	TRAILER LIGHTING CONTROL	52
BC	VEHICLE ECU 3/4- DCL CONNECTOR	12	GH	INTERIOR LIGHTING	53
BD	VEHICLE ECU 4/4	13	GI	SNOW PLOW PREP CONNECTOR	54
BE	INSTRUMENT CLUSTER 1/3	14	GJ	TRAILER RECEPTACLE CENTER PIN HOT	55
BF	INSTRUMENT CLUSTER 2/3	15	GK	TITAN LIGHTING OPTIONS	56
BG	INSTRUMENT CLUSTER 3/3	16	GL	LIGHTING - BEACON LAMPS	57
BH	ALLISON BODY BUILDER INTERFACE	17	GM	LIGHTING: ROOF W / OPTIONS	58
BI	INSIDE-OUTSIDE AIR TEMP. GAUGE	18	GP	WIPER WASHER	59
BJ	BODY BUILDER CIRCUITS	19	GQ	HORN WIRING/SPOT LAMP	60
BK	BODY BUILDER CIRCUITS-2010 BODYLINK	20	HA	CLIMATE CONTROL	61
BL	ENGINE BRAKE CONTROL M-DRIVE	21	HB	APADS WIRING	62
BM	TELEMATICS GATEWAY (TGW)	22	HC	HEATED SEATS & WINDSHIELD,AUX FAN 1/2	63
BN	BODY BUILDER CIRCUITS	23	HD	SLEEPER CLIMATE CONTROL	64
BU	QUALCOMM MCP 100 W/SLEEPER	24	HE	SLEEPER FUNCTIONS	65
BV	QUALCOMM MCP 110 OR 200 W/SLEEPER	25	HF	120V AC SYSTEM INVERTER	66
BW	QUALCOMM MCP 100 W/DAYCAB	26	HG	HEATED SEATS & WINDSHIELD, AUX FAN 2/2	67
BX	QUALCOMM MCP 110 OR 200 W/DAYCAB	27	IA	RH & LH MOTORIZED WINDOWS	68
CA	ENGINE INTERFACE MP11	28	IC	MIRROR CONTROL 1/2	69
CB	DPF REGENERATION SYSTEM	29	ID	RH ONLY MOTORIZED WINDOW & DOOR CNTR.	70
CC	ENGINE HEATER	30	IE	RH & LH DOOR CONTROL	71
CD	UREA DOSING SYSTEM	31	JA	ADAPTIVE CRUISE CONTROL 1/2	72
CE	ENGINE CONTROL ISL US13 1/2	32	JB	ADAPTIVE CRUISE CONTROL 2/2	73
CF	ENGINE CONTROL ISL US13 2/2	33	KA	AUDIO SYSTEM	74
CG	ENGINE CONTROL ISX12G 1/2	34	KC	POWER OUTLETS CONNS. FLOOR LIGHTING	75
CH	ENGINE CONTROL ISX12G 2/2	35	NA	IGNITION & BATTERY SW & SPARE CONNS	76
DA	TRANSMISSION M-DRIVE	36	NB	JUNCTION POSTS	77
DB	TRANSMISSION CNTR:AUTOSHIFT/ULTRASHIFT III	37	NC	ADDITIONAL IGN. & BATTERY SWITCHES 1/3	78
DC	TRANSMISSION CNTL:4 GENERATION 1/2	38	ND	H.D. POWER LIFT GATE	79
DD	TRANSMISSION CNTL:4 GENERATION 2/2	39	NE	ADDITIONAL IGN & BATTERY SWITCHES 2/3	80
DE	TRANSMISSION CONTROLS M-DRIVE	40	NF	ADDITIONAL IGN & BATTERY SWITCHES 3/3	81
EA	ABS-WABCO	41	XA	DATA LINK / DIAGNOSTICS	82
EB	ABS BENDIX WITH ESP (EATON)	42	XB	J1939 CAN 1 DIAGRAM	83

The copying, distribution and utilization of this document as well as the communication of its contents to others without expressed authorization is prohibited. Offenders will be held liable for payment of damages. All rights reserved in the event of the grant of a patent, utility model or ornamental design registration.

Document Title
WIRING DIAGRAM
12V MACK, 2013BP
PC28, ENG-CU12

MACK

Mack Trucks, Inc.

Document Type
TECHNICAL REGULATION

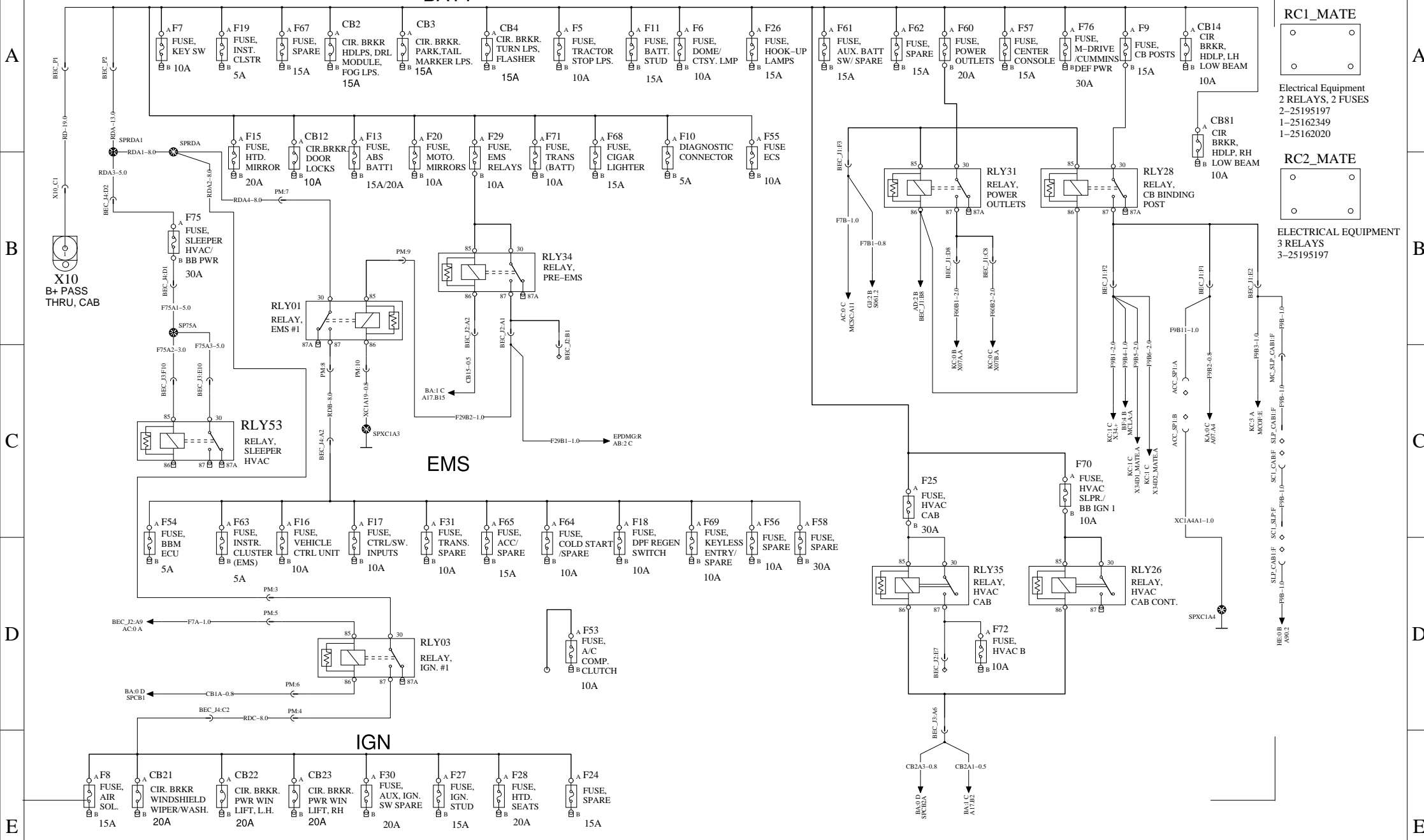
Owner Domain: Document Prefix

Document No	Issue Index	Volume No	Page No
22234428	02	01	1(83)

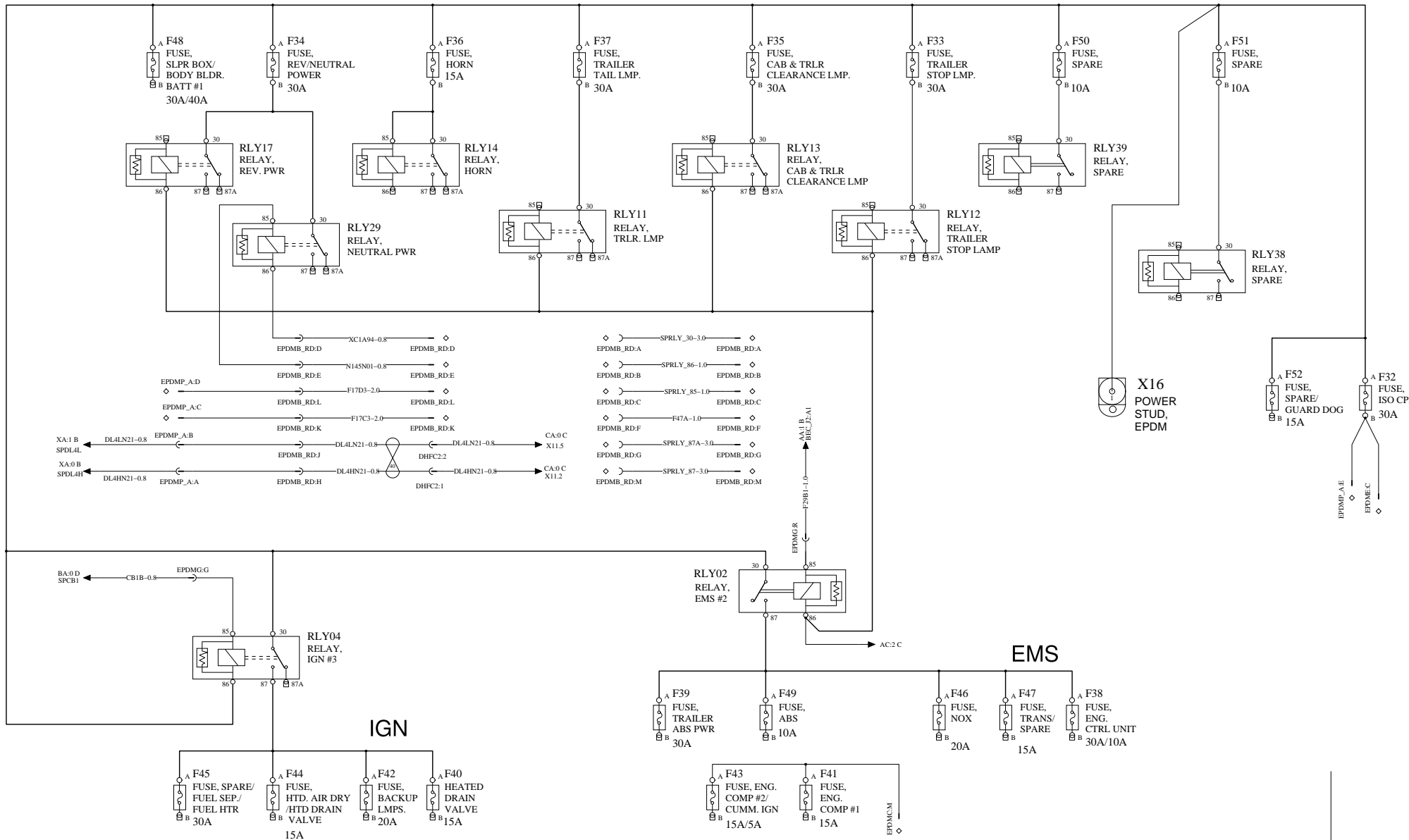
POWER DISTRIBUTION 1/2

BATT

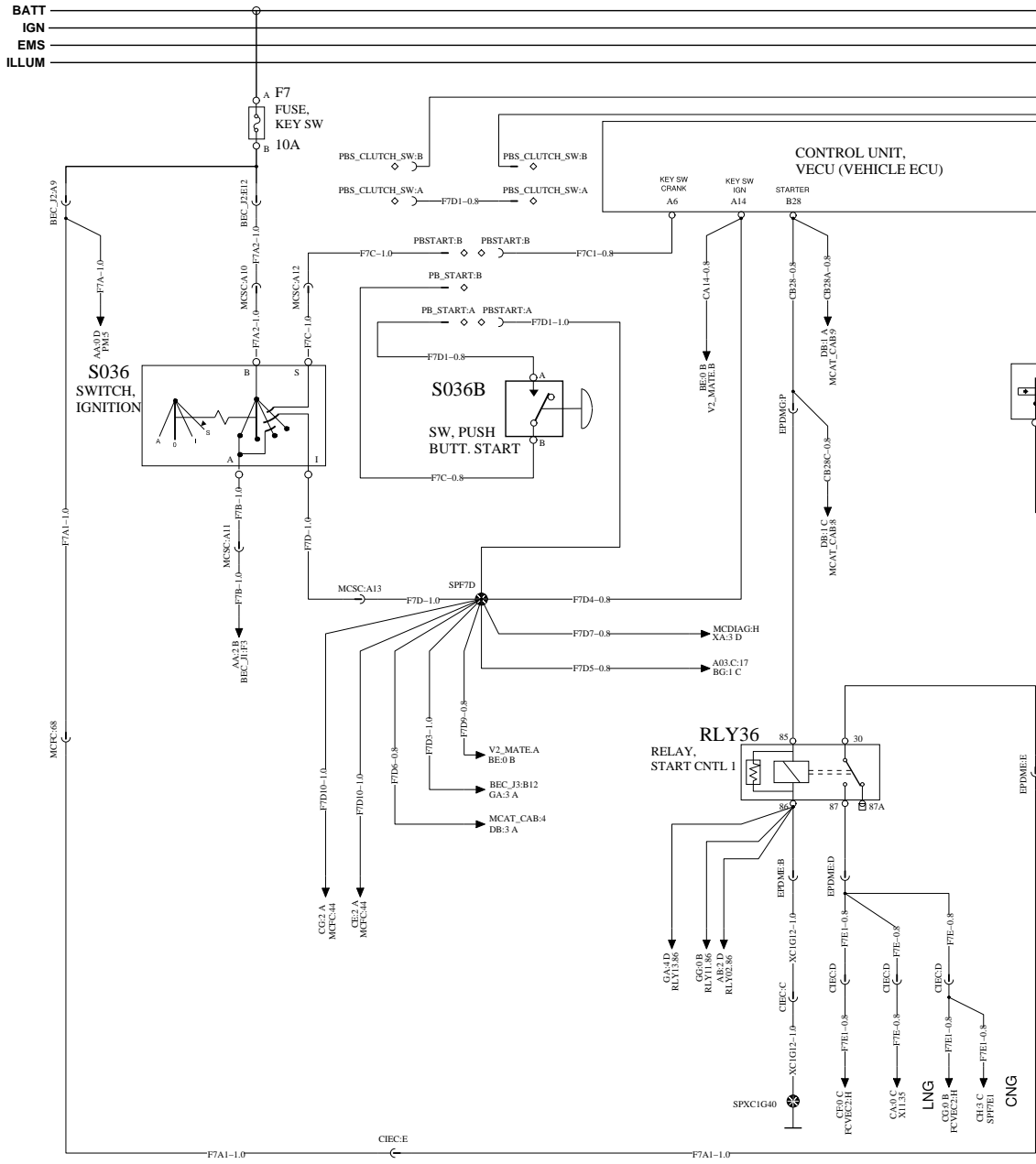
WIRING DIAGRAM: AA



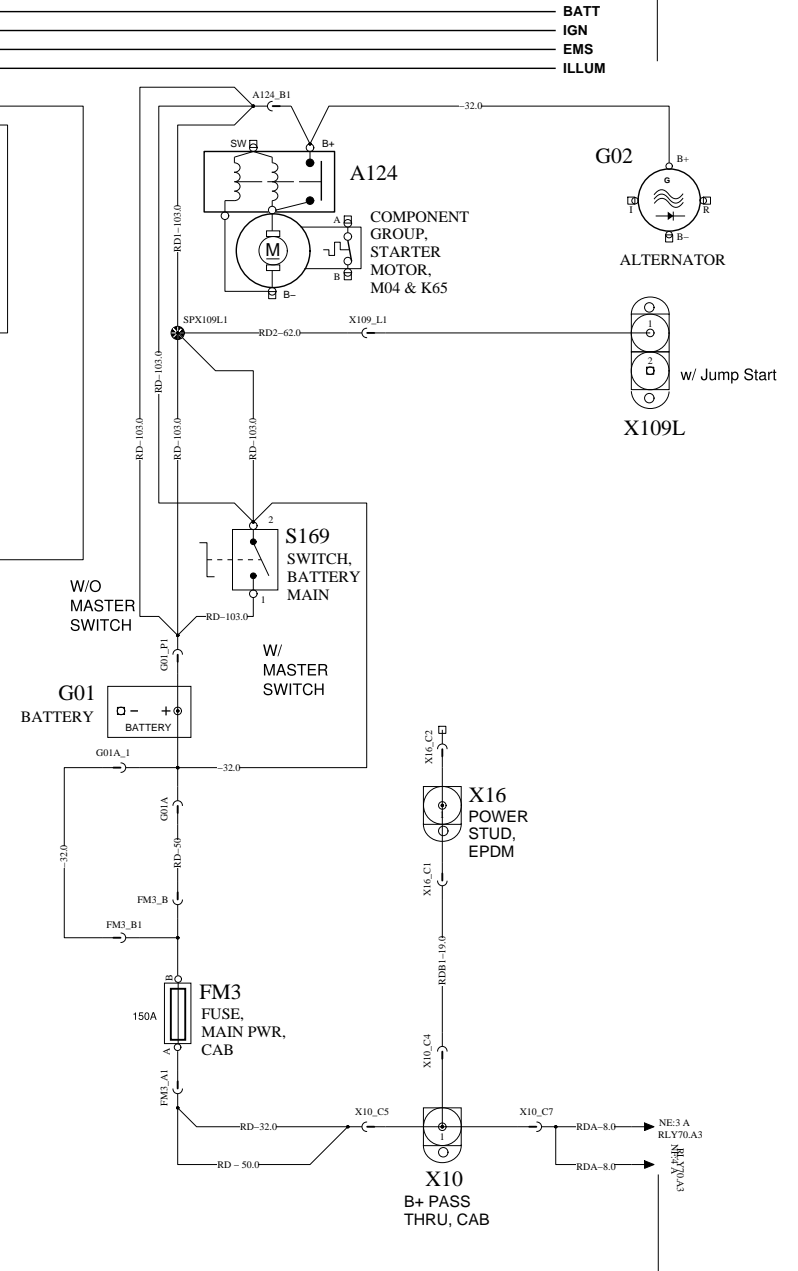
BATT



KEY SW. , START & CHARGING



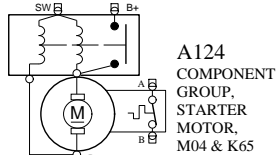
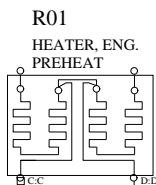
WIRING DIAGRAM: AC



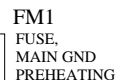
GROUNDING

WIRING DIAGRAM: AD

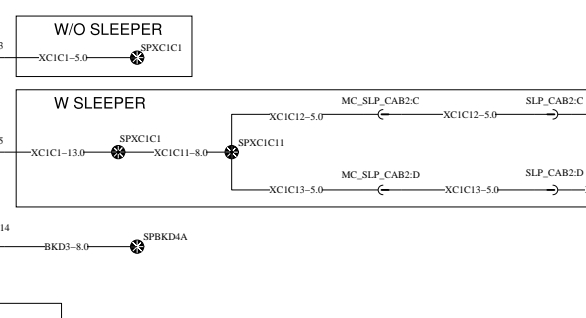
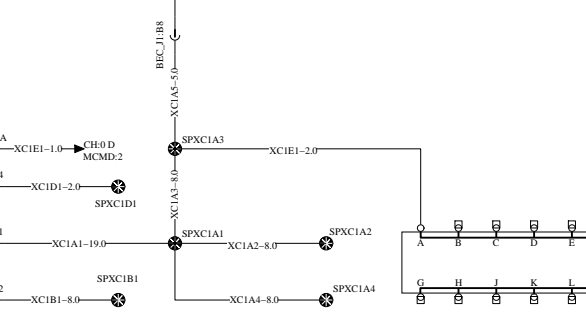
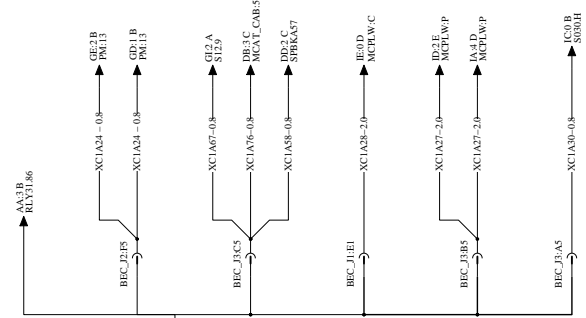
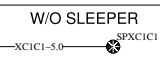
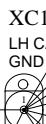
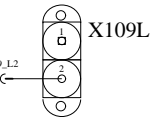
BATT
IGN
EMS
ILLUM



w/o Jump Start



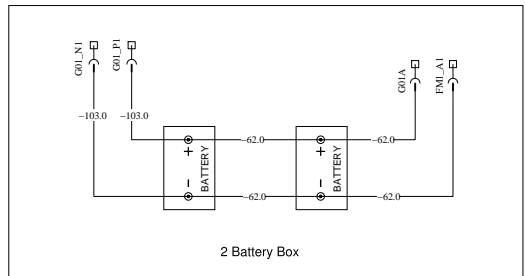
SEE SCHEMATIC AF FOR CUMMINS



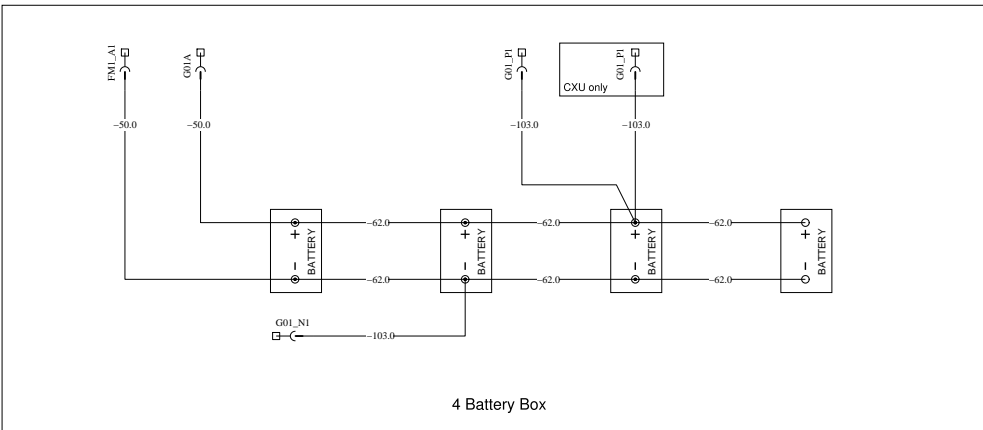
BATTERY CONFIGURATION

WIRING DIAGRAM: AE

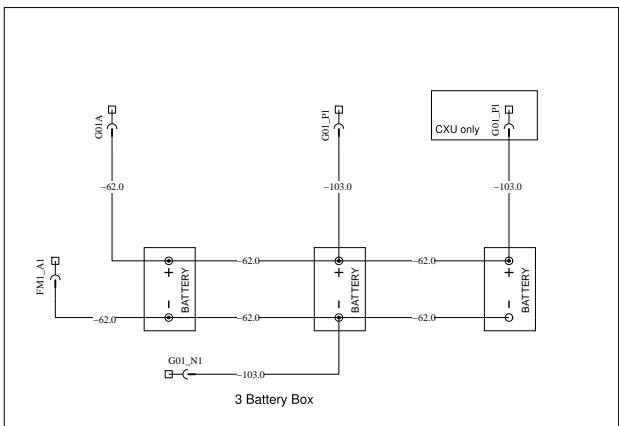
BATT _____ **BATT**
IGN _____ **IGN**
EMS _____ **EMS**
ILLUM _____ **ILLUM**



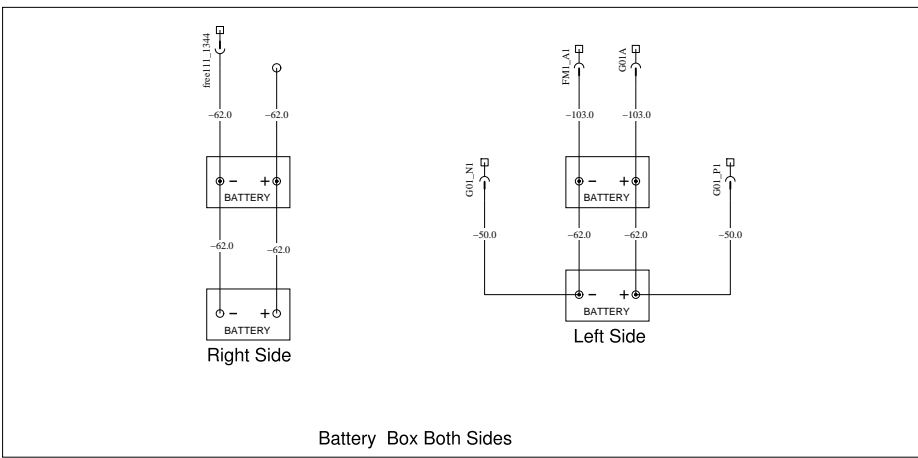
2 Battery Box



4 Battery Box



3 Battery Box



Battery Box Both Sides



Group Trucks Technology

Document title
WIRING DIAGRAM - PC28 - 12V MACK - 2013BP - ENG-CU12
 Document type
PRODUCT SCHEMATIC

Document No
22234428

Issue
02

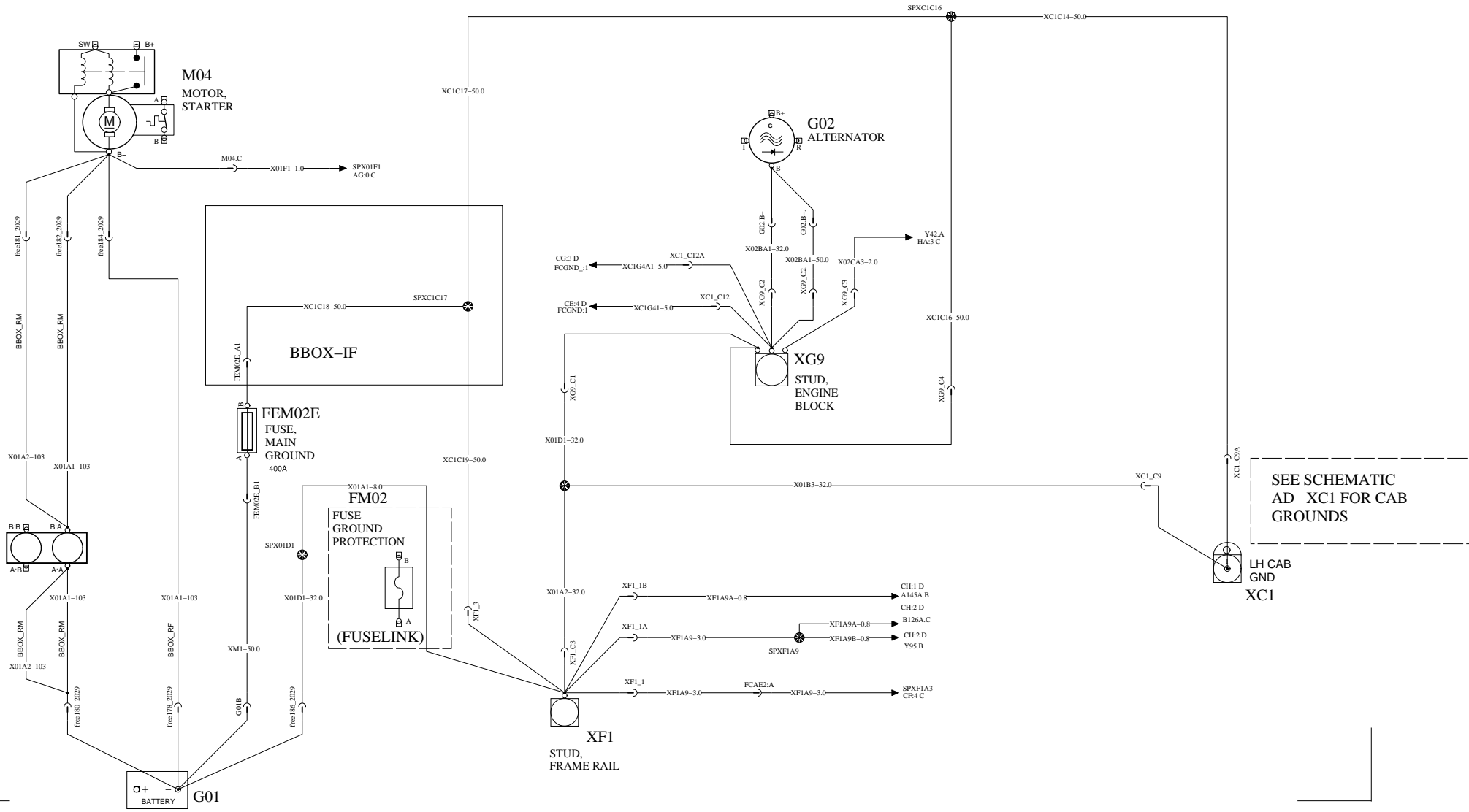
Volume
01

Page
6 (83)

GROUNDING 2/2, CUMMINS

WIRING DIAGRAM: AF

BATT	BATT
IGN	IGN
DR	DR
ACC	ACC
ILLUM	ILLUM

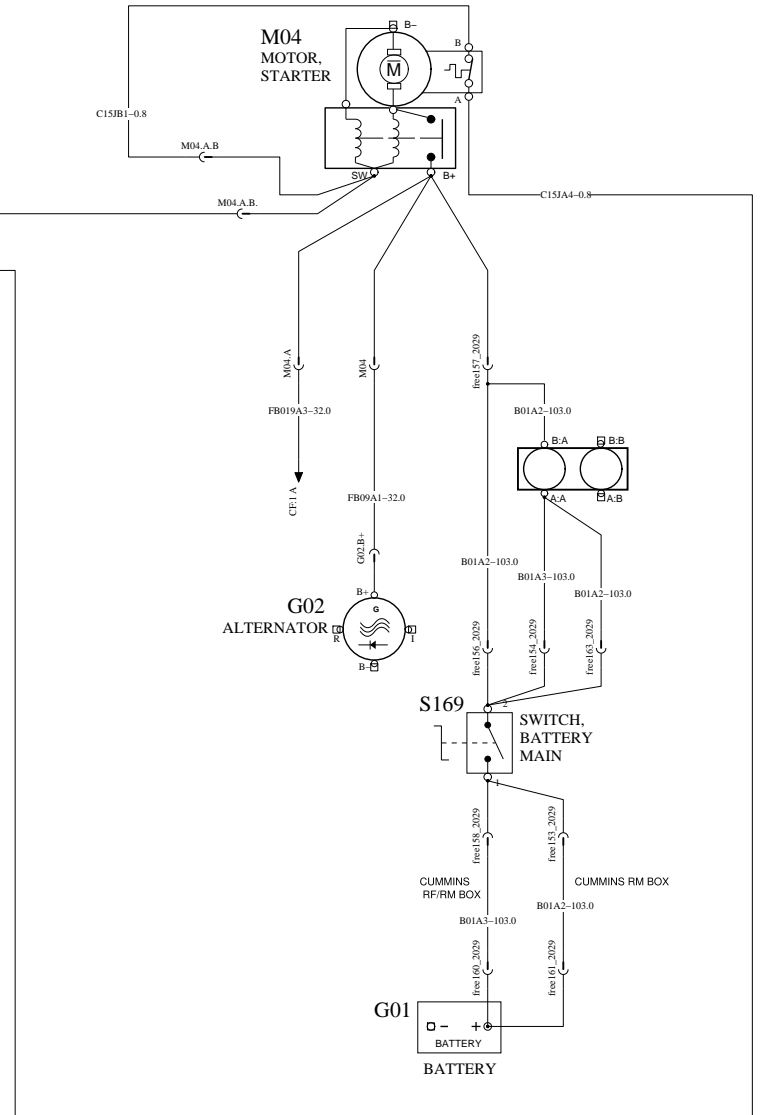
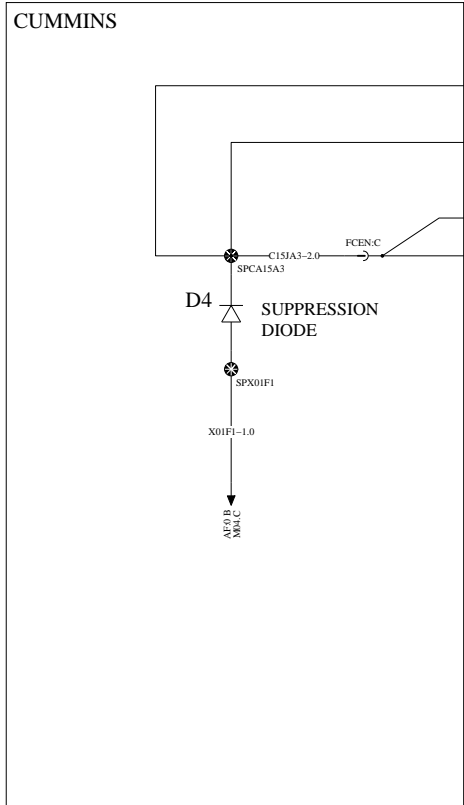


STARTING AND CHARGING, CUMMINS

WIRING DIAGRAM: AG

BATT
IGN
DR
ACC
ILLUM

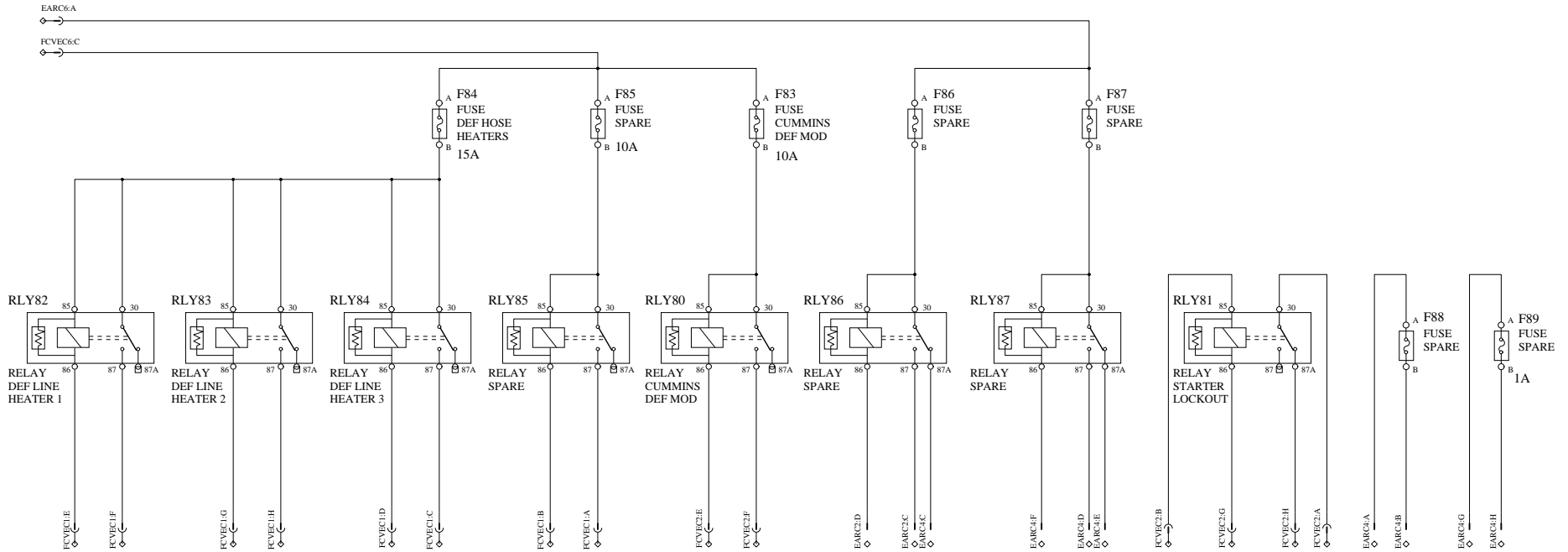
BATT
IGN
DR
ACC
ILLUM



BATT
IGN
EMS
ILLUM

BATT
IGN
EMS
ILLUM

ENG-CU12 EARC



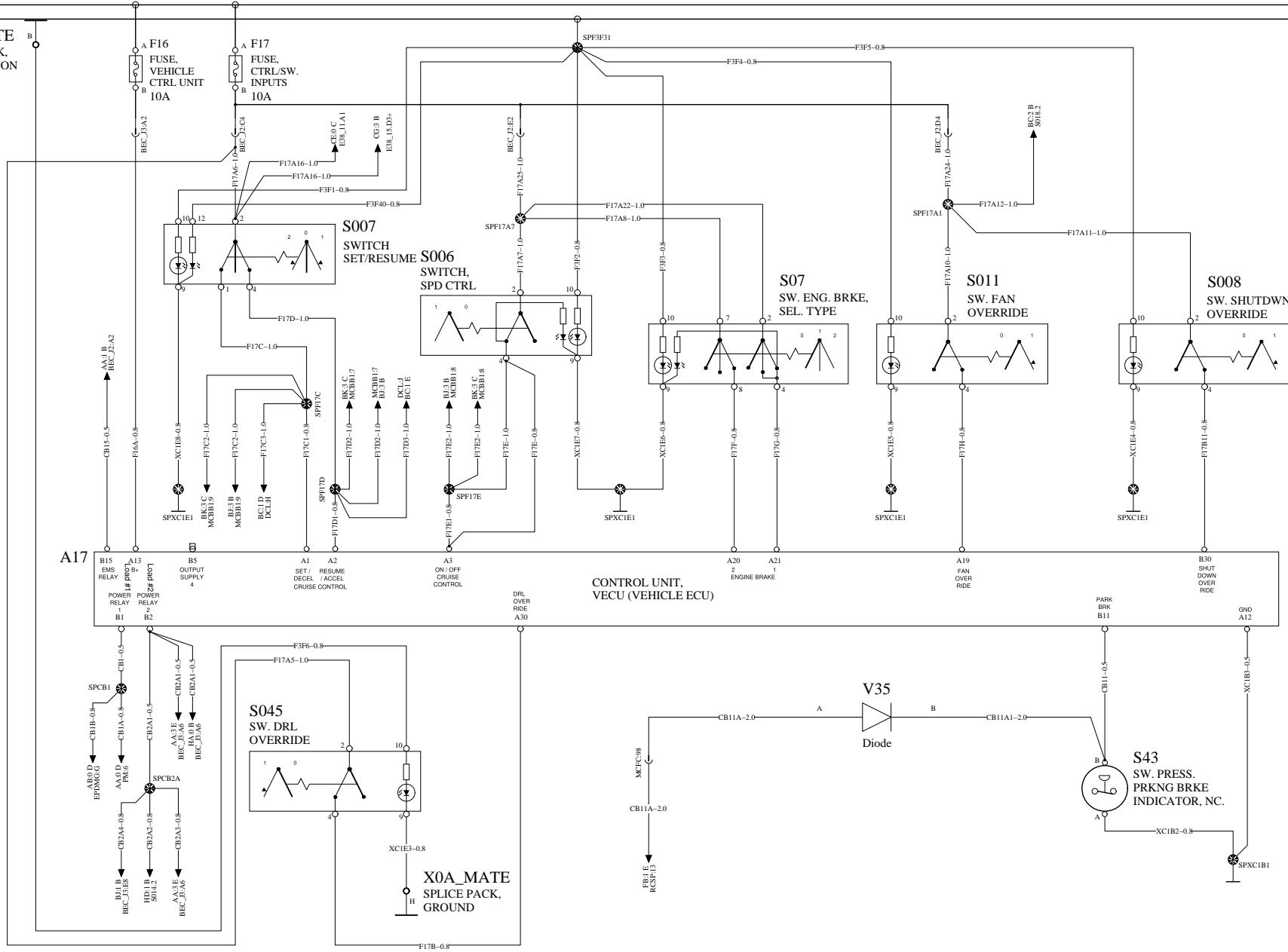
VEHICLE ECU 1/4

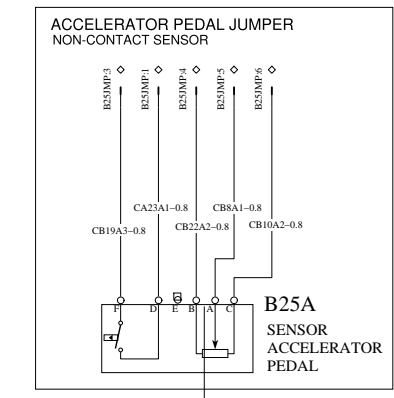
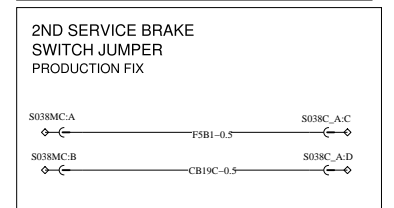
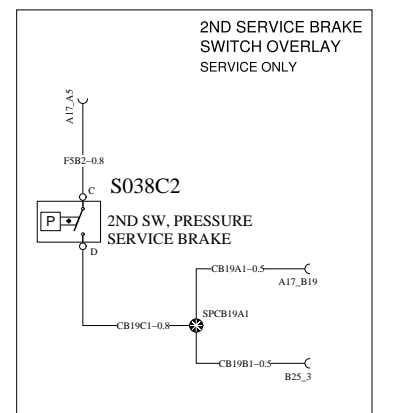
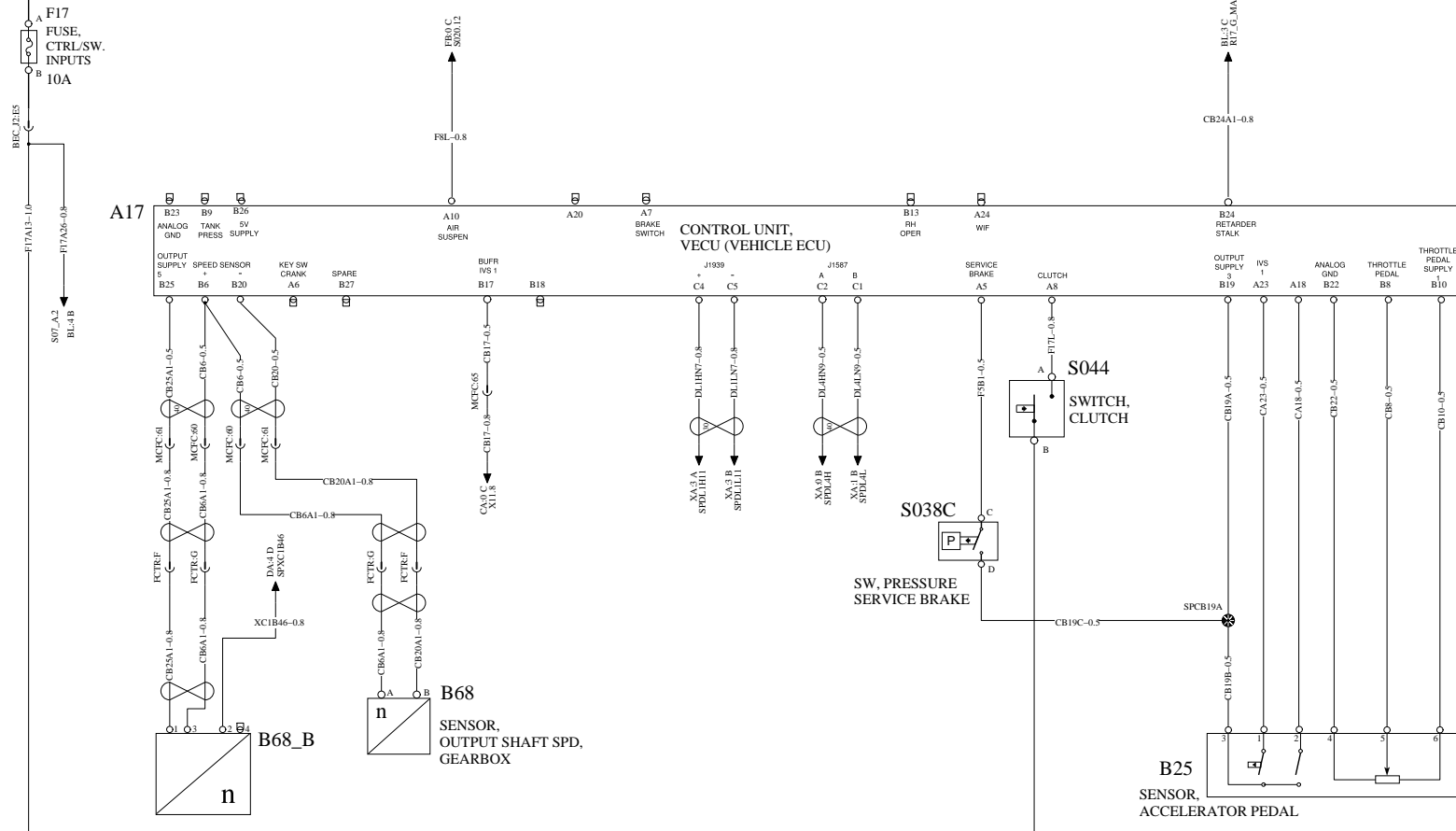
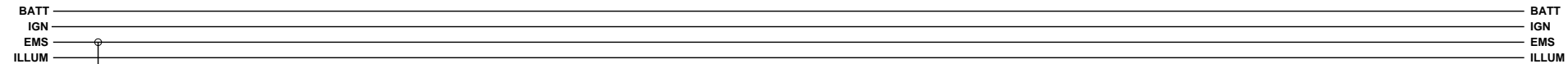
WIRING DIAGRAM: BA

BATT
IGN
EMS
ILLUM

XOC_MATE
SPLICE PACK,
ILLUMINATION

BATT
IGN
EMS
ILLUM



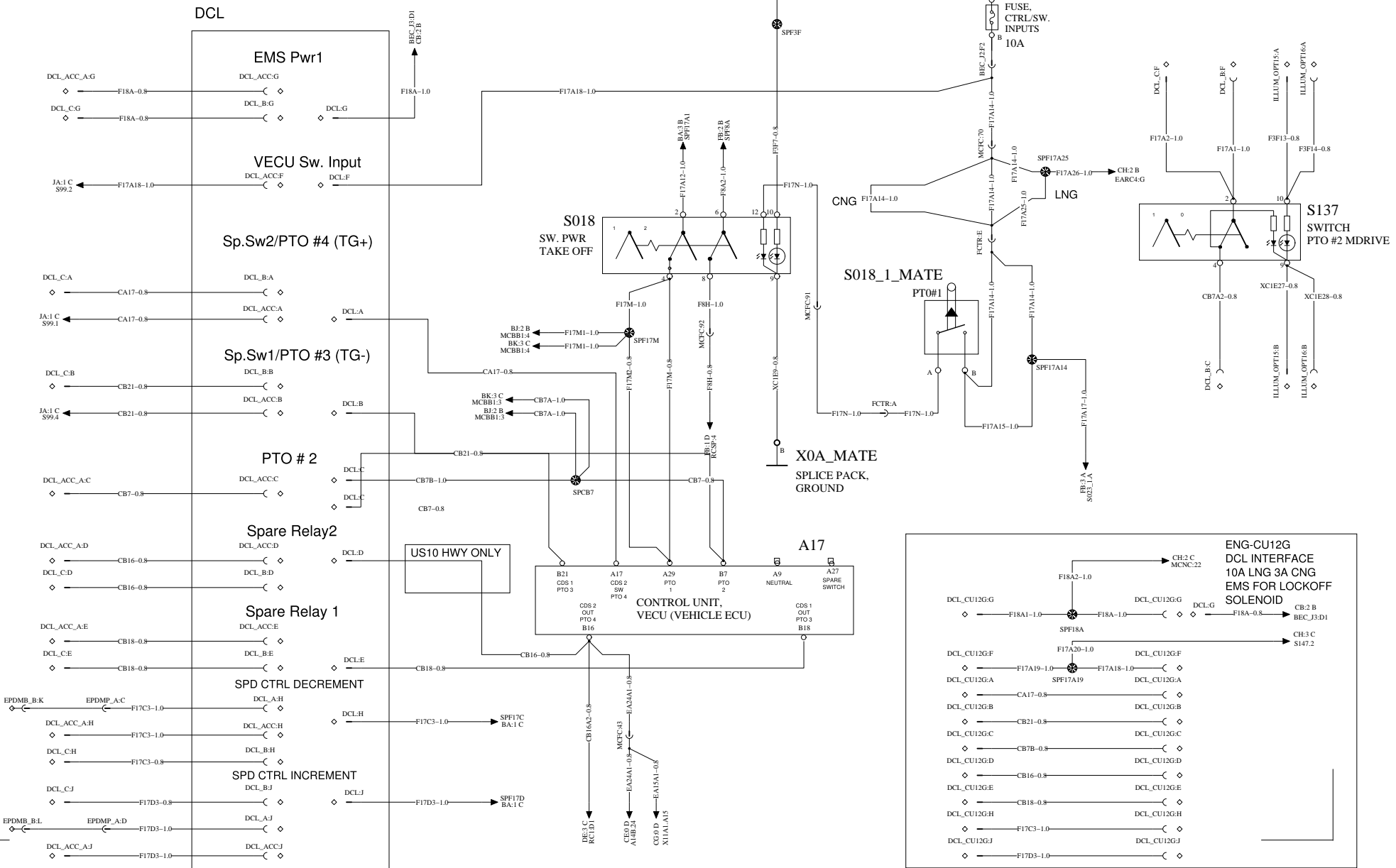


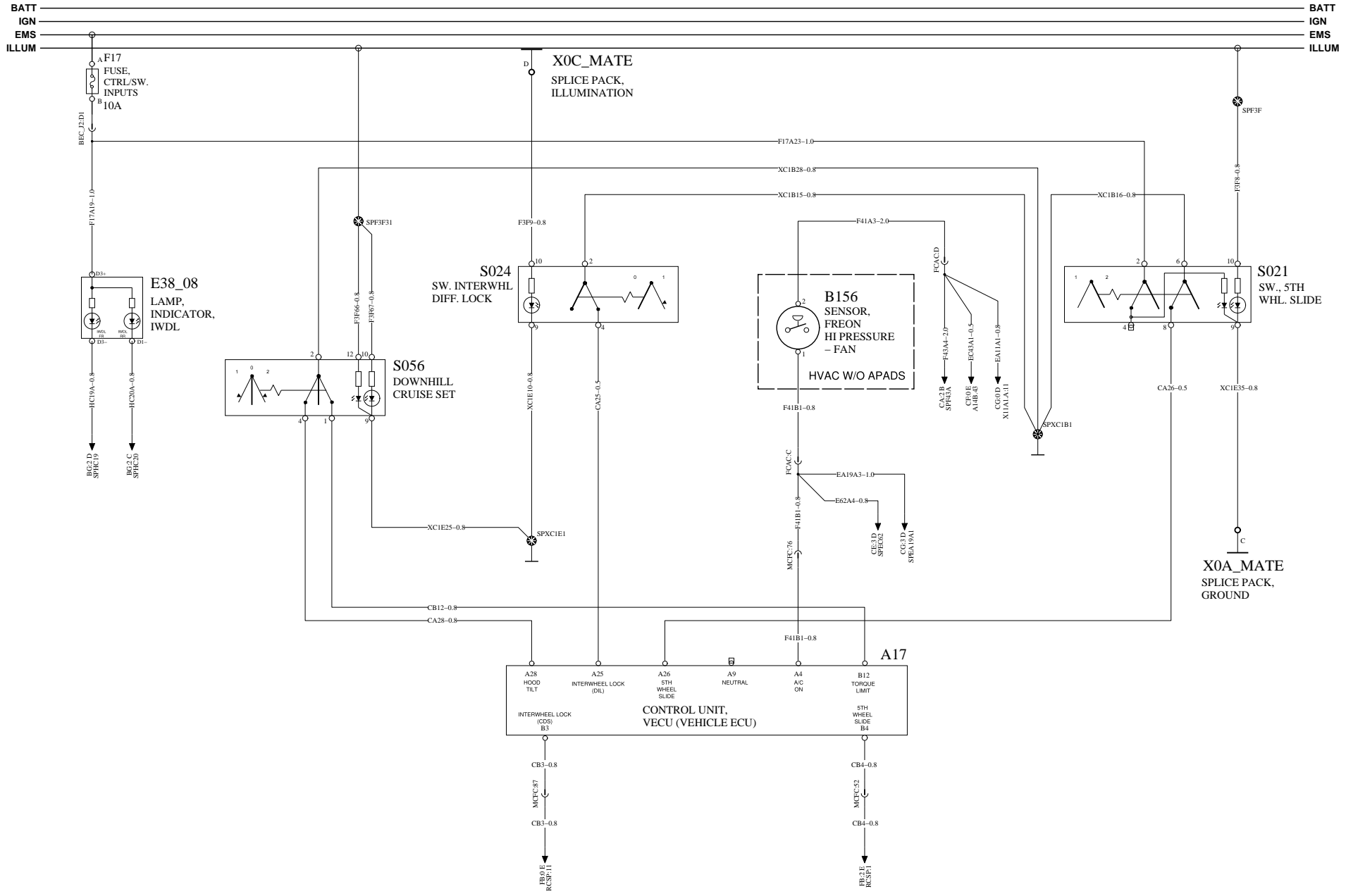
VEHICLE ECU 3/4 - DCL CONNECTOR

WIRING DIAGRAM: BC

BATT
IGN
EMS
ILLUM

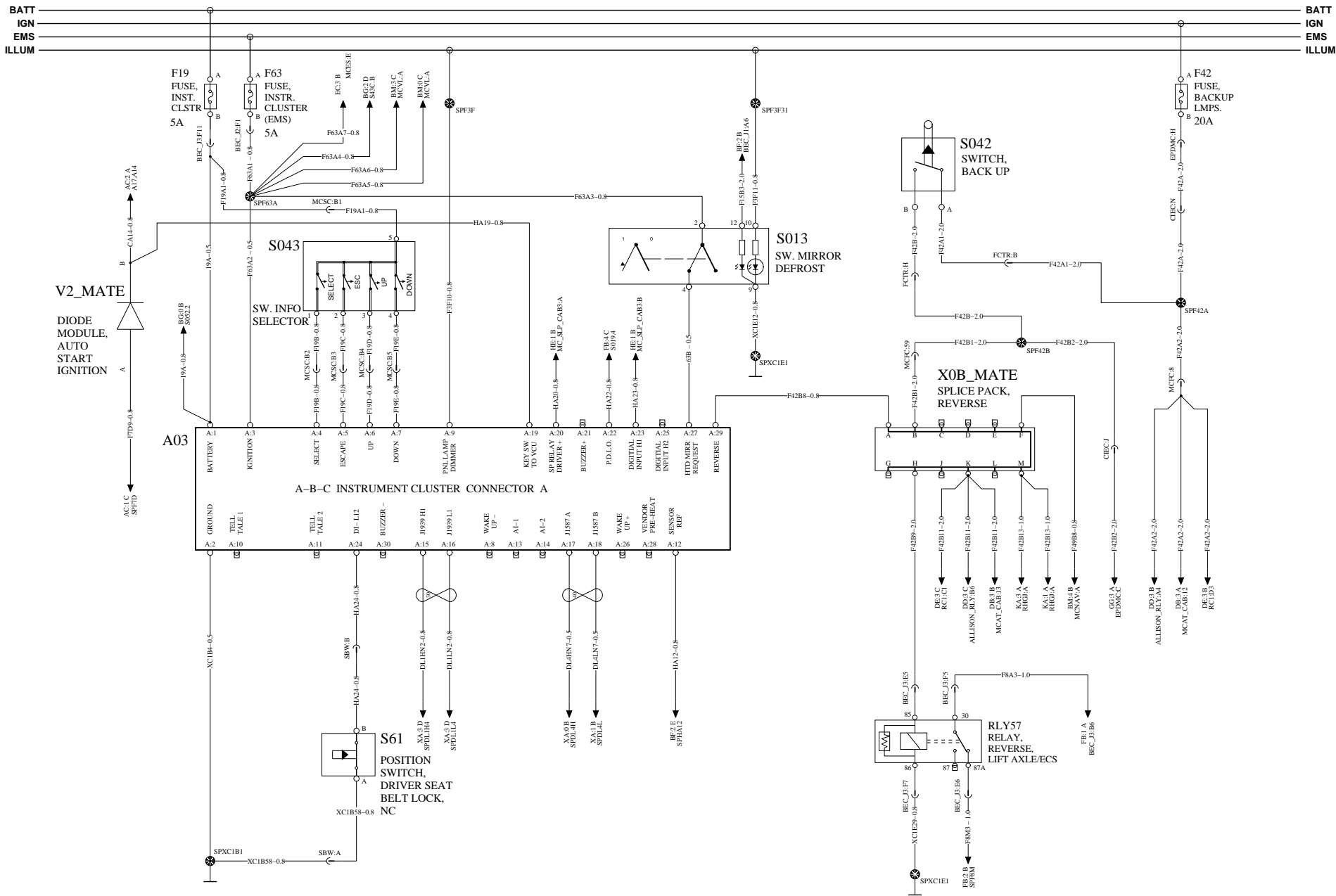
BATT
IGN
EMS
ILLUM





INSTRUMENT CLUSTER 1/3

WIRING DIAGRAM: BE

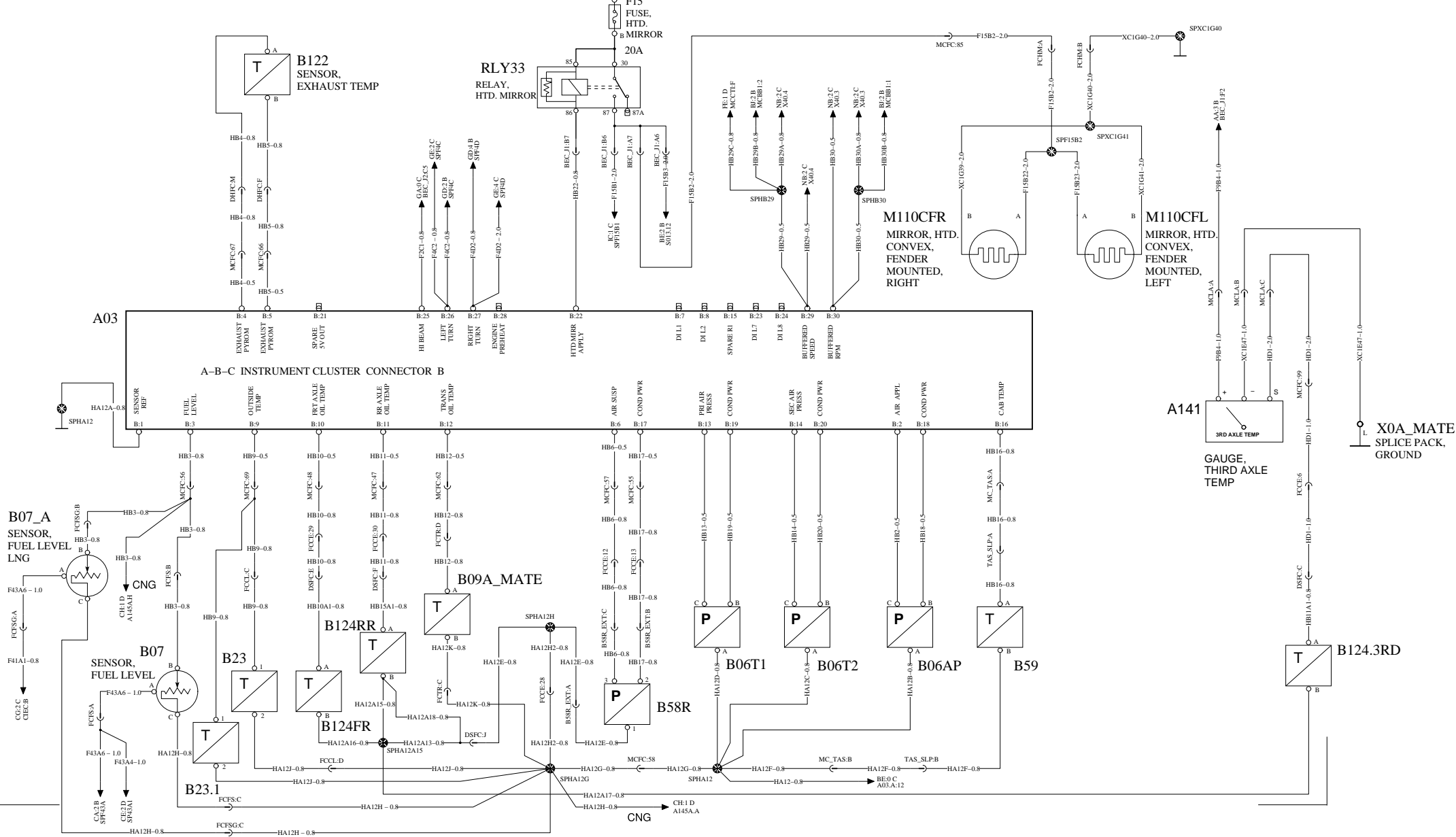


INSTRUMENT CLUSTER 2/3

WIRING DIAGRAM: BF

BATT
IGN
EMS
ILLUM

BATT
IGN
EMS
ILLUM



Group Trucks Technology

Document title
WIRING DIAGRAM - PC28 - 12V MACK - 2013BP - ENG-CU12
Document type
PRODUCT SCHEMATIC

Document No

22234428

Issue

02

Volume

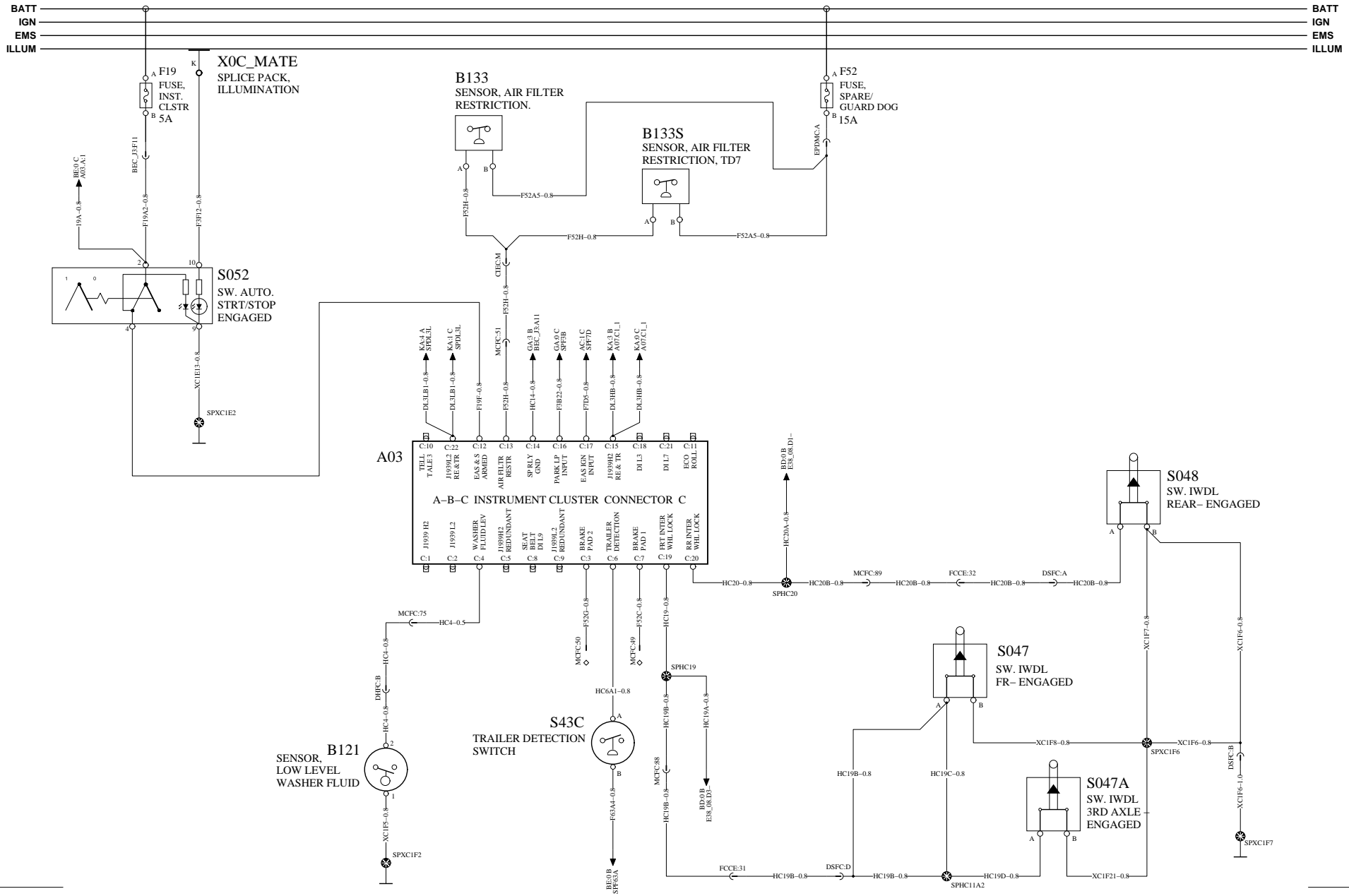
01

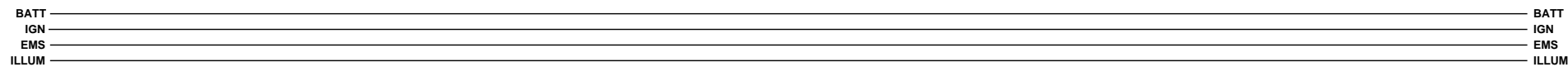
Page

15 (83)

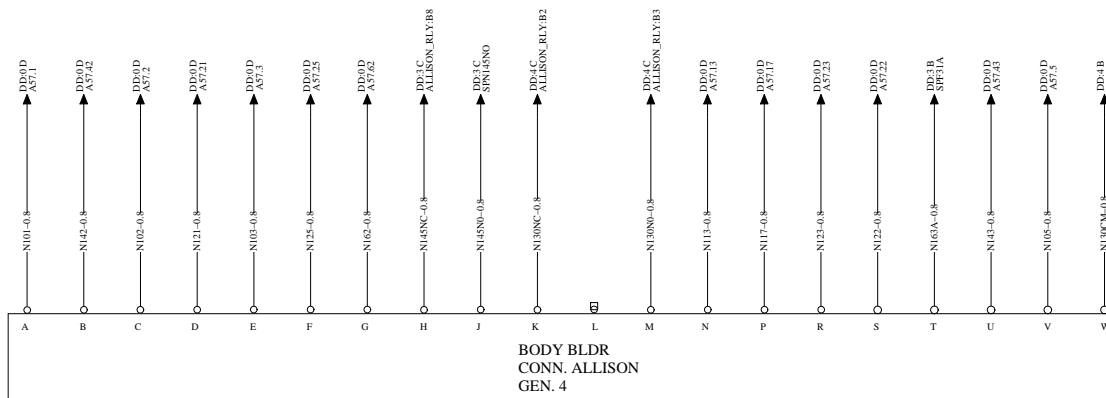
INSTRUMENT CLUSTER 3/3

WIRING DIAGRAM: BG



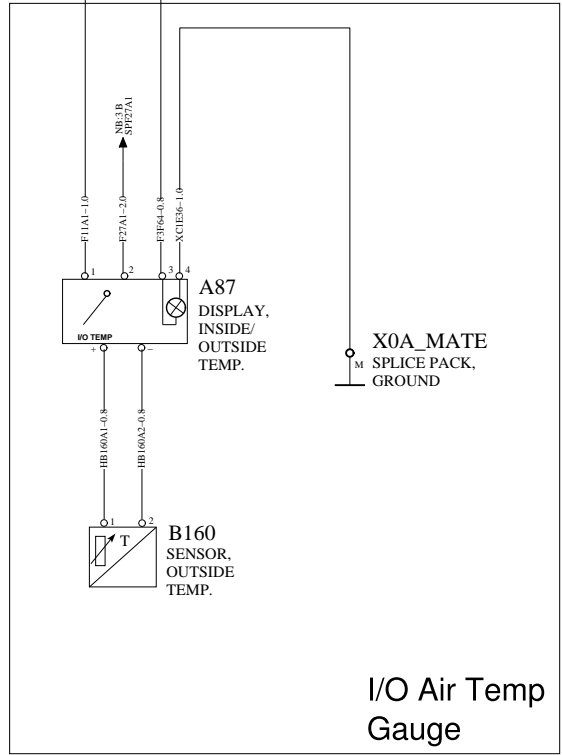
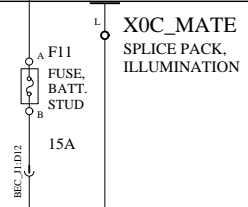
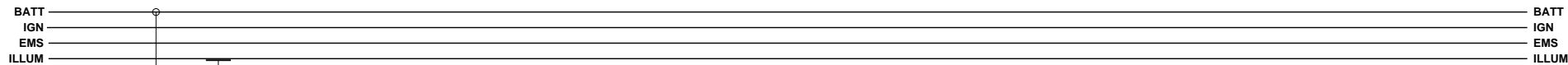


X06D_MATE



INSIDE-OUTSIDE AIR TEMP. GAUGE

WIRING DIAGRAM: BI



I/O Air Temp Gauge



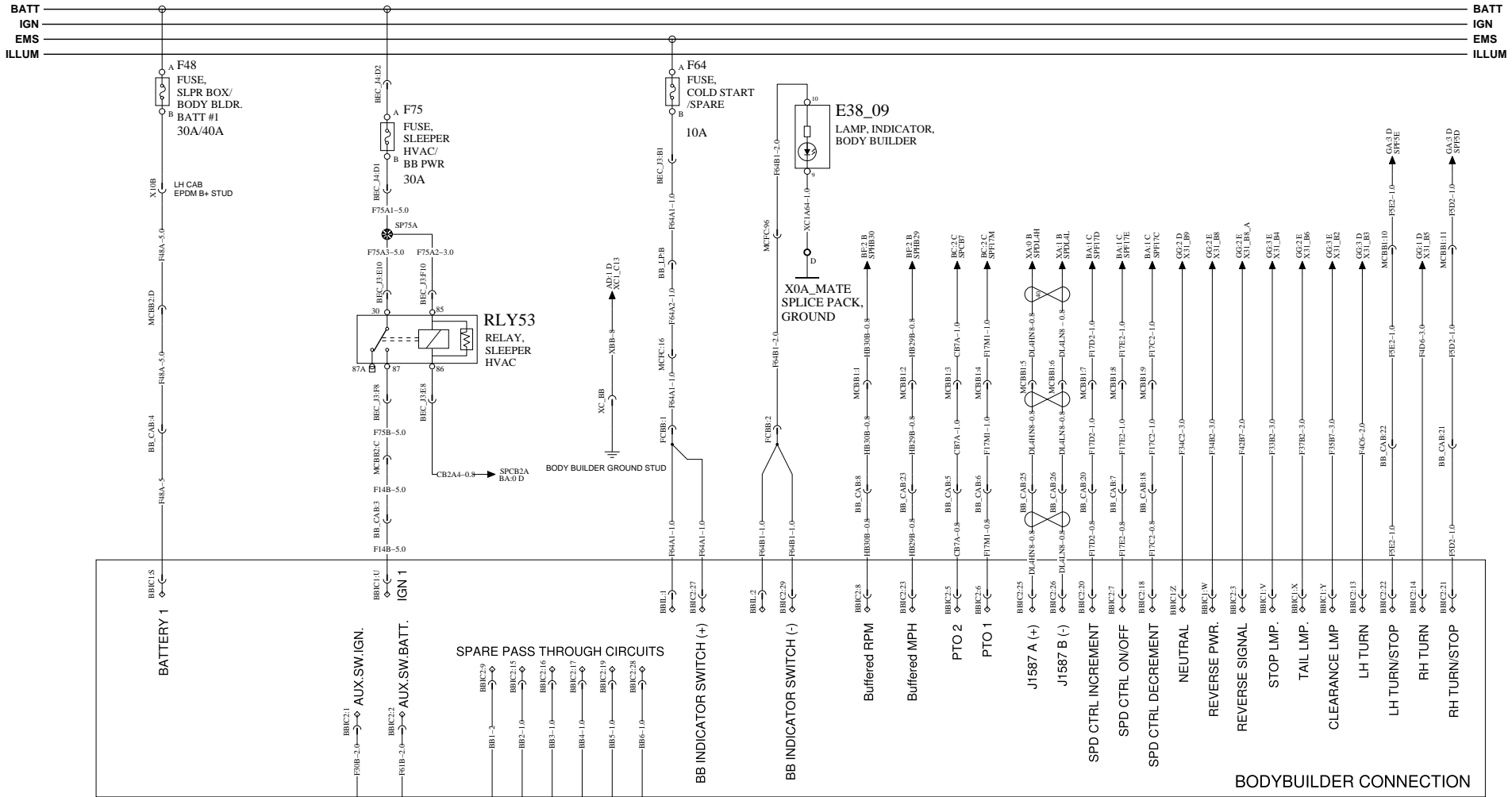
Group Trucks Technology

Document title WIRING DIAGRAM - PC28 - 12V MACK - 2013BP - ENG-CU12
Document type PRODUCT SCHEMATIC

Document No 22234428	Issue 02	Volume 01	Page 18 (83)
--------------------------------	--------------------	---------------------	------------------------

BODY BUILDER CIRCUITS

WIRING DIAGRAM: BJ



BATTERY 1

AUX.SW.IGN.
AUX.SW.BATT.

SPARE PASS THROUGH CIRCUITS

BB INDICATOR SWITCH (+)

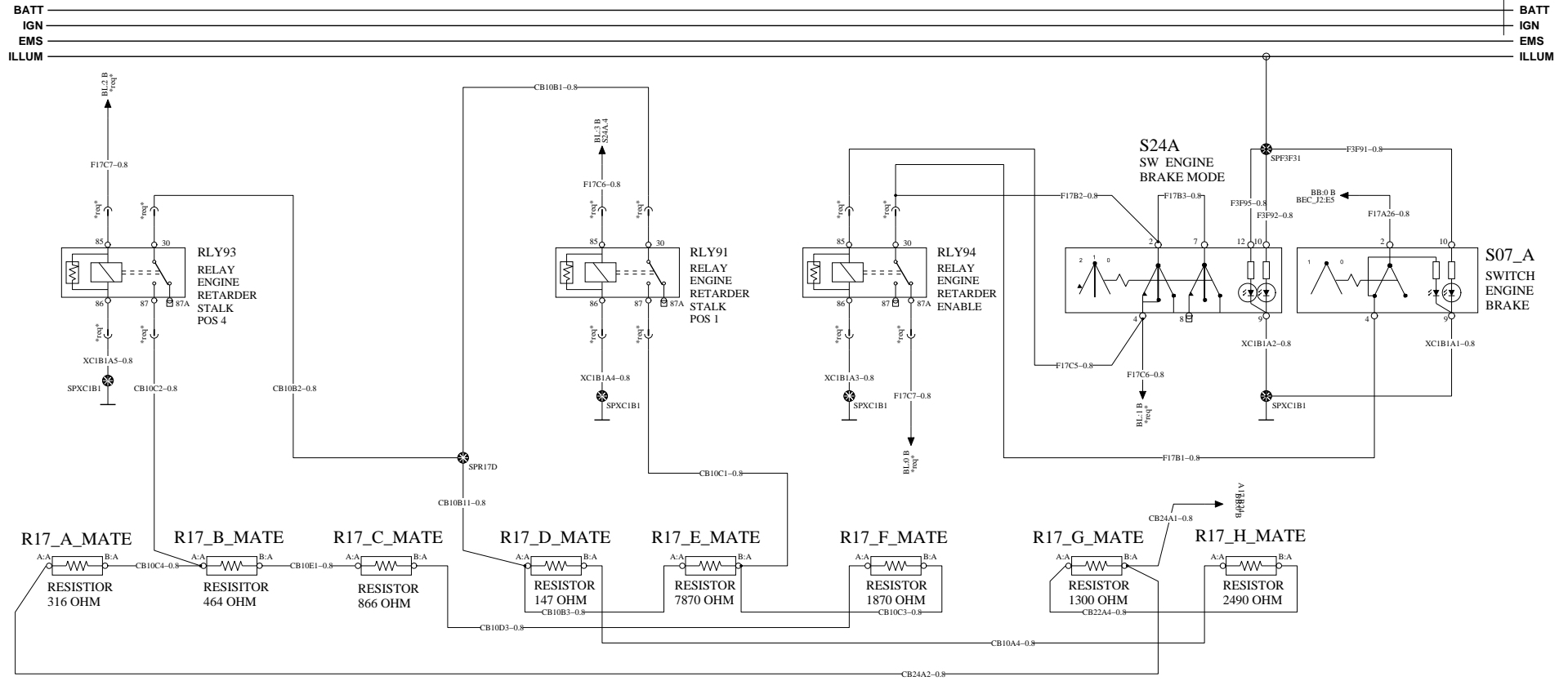
BB INDICATOR SWITCH (-)

Buffered RPM
Buffered MPH
PTO 2
PTO 1
J1587 A (+)
J1587 B (-)
SPD CTRL INCREMENT
SPD CTRL ON/OFF
SPD CTRL DECREMENT
NEUTRAL
REVERSE PWR.
REVERSE SIGNAL
STOP LMP.
TAIL LMP.
CLEARANCE LMP
LH TURN
LH TURN/STOP
RH TURN
RH TURN/STOP

BODYBUILDER CONNECTION

ENGINE BRAKE CONTROL – M-DRIVE

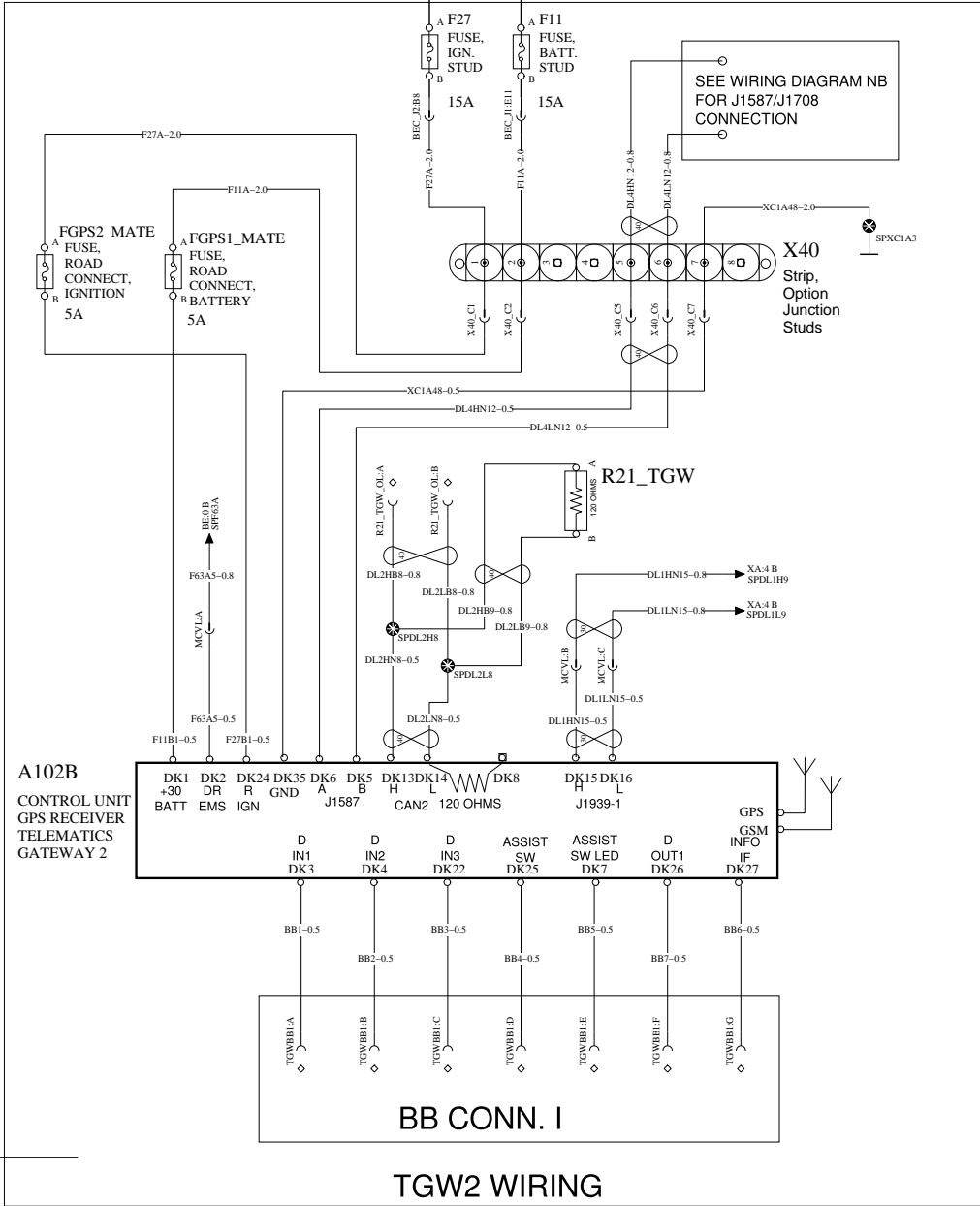
WIRING DIAGRAM: BL



SHEET TO BE DELETED

TELEMATICS GATEWAY (TGW)

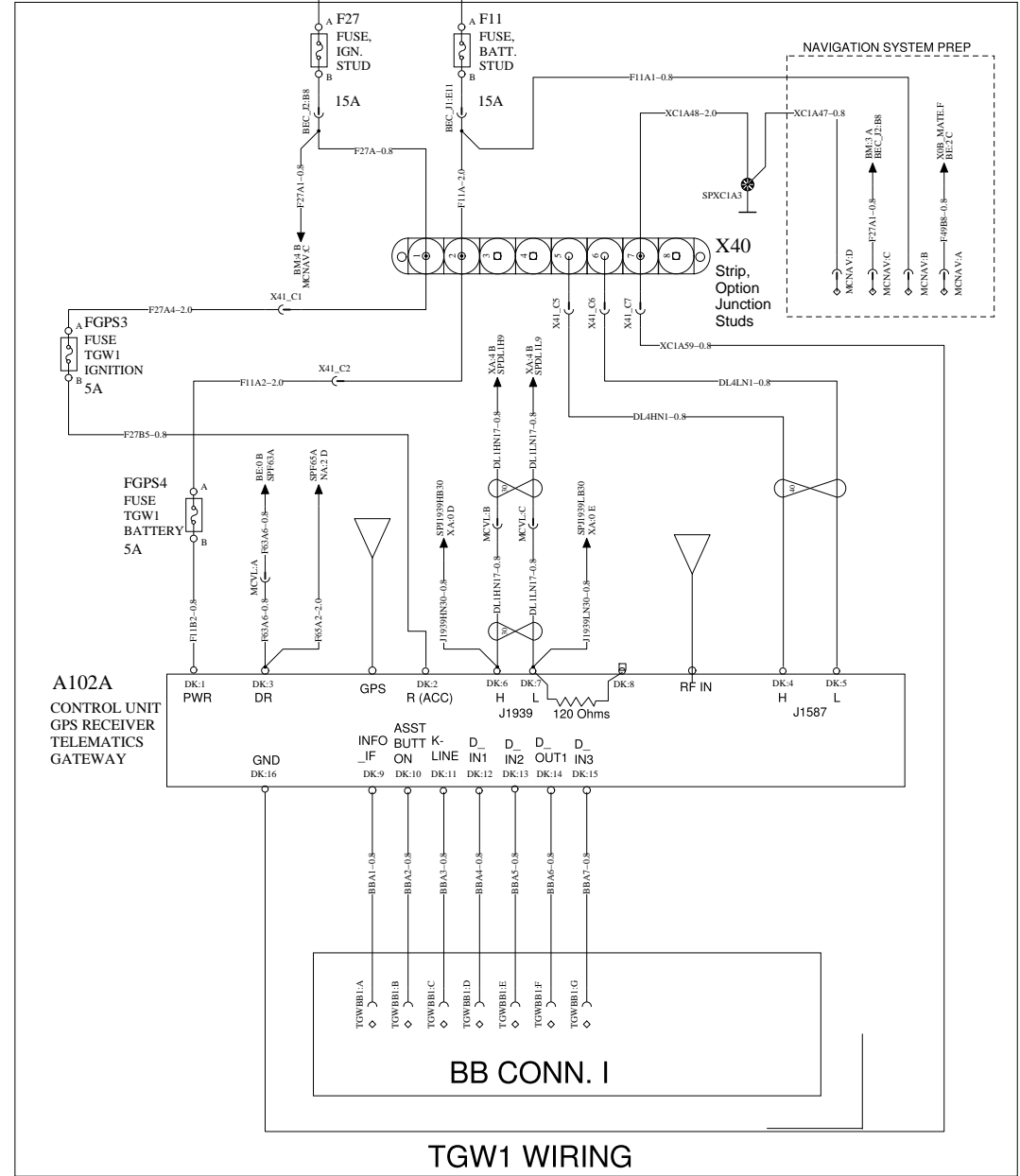
BATT
IGN
EMS
ILLUM



TGW2 WIRING

WIRING DIAGRAM: BM

BATT
IGN
EMS
ILLUM



TGW1 WIRING



Group Trucks Technology

Document title
WIRING DIAGRAM - PC28 - 12V MACK - 2013BP - ENG-CU12
Document type
PRODUCT SCHEMATIC

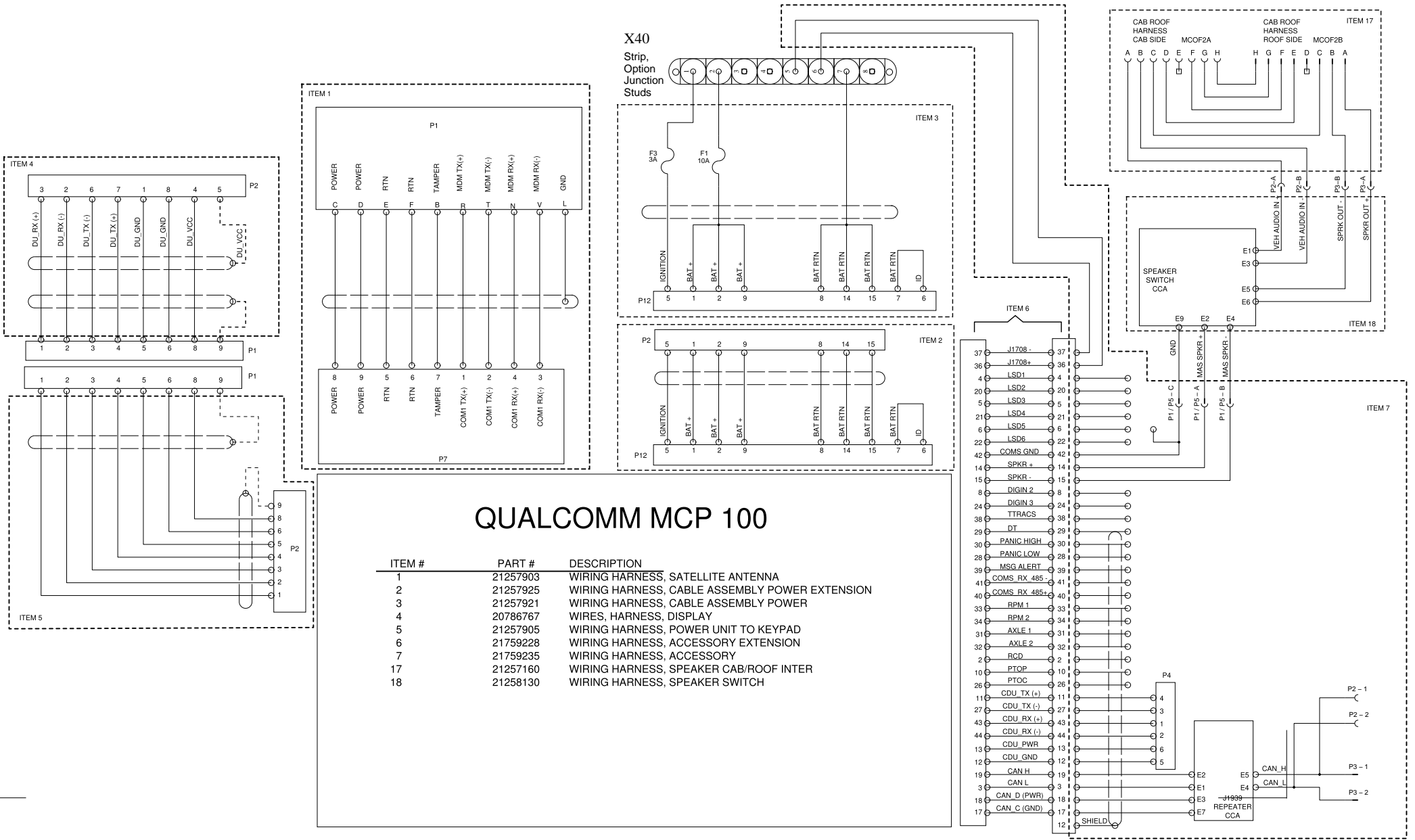
Document No	Issue	Volume	Page
22234428	02	01	22 (83)

QUALCOMM MCP 100 W/SLEEPER

BATT
IGN
EMS
ILLUM

WIRING DIAGRAM: BU

BATT
IGN
EMS
ILLUM



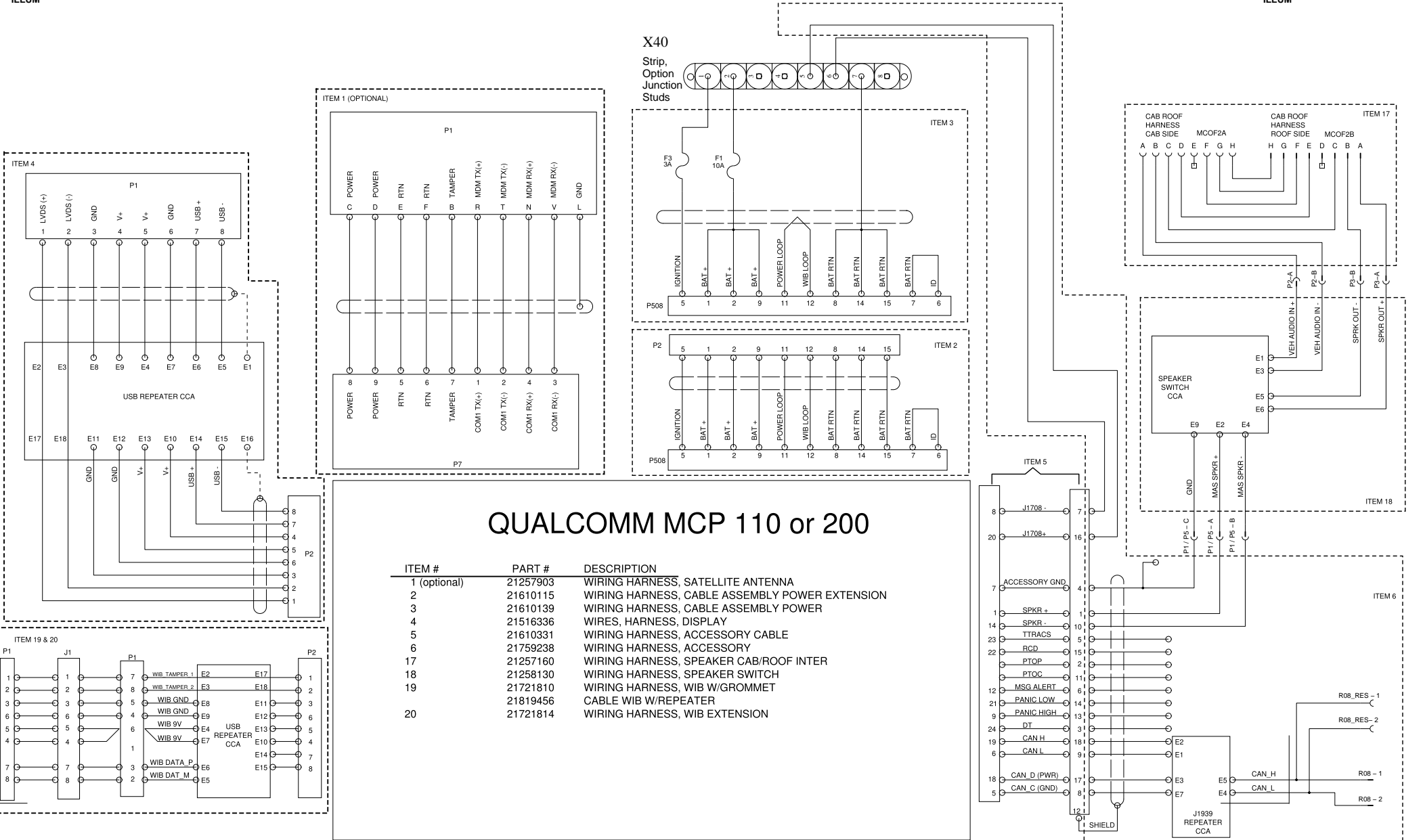
QUALCOMM MCP 100

ITEM #	PART #	DESCRIPTION
1	21257903	WIRING HARNESS, SATELLITE ANTENNA
2	21257925	WIRING HARNESS, CABLE ASSEMBLY POWER EXTENSION
3	21257921	WIRING HARNESS, CABLE ASSEMBLY POWER
4	20786767	WIRES, HARNESS, DISPLAY
5	21257905	WIRING HARNESS, POWER UNIT TO KEYPAD
6	21759228	WIRING HARNESS, ACCESSORY EXTENSION
7	21759235	WIRING HARNESS, ACCESSORY
17	21257160	WIRING HARNESS, SPEAKER CAB/ROOF INTER
18	21258130	WIRING HARNESS, SPEAKER SWITCH

QUALCOMM MCP 110 OR 200 W/SLEEPER

WIRING DIAGRAM: BV

BATT _____ BATT
 IGN _____ IGN
 EMS _____ EMS
 ILLUM _____ ILLUM



QUALCOMM MCP 110 or 200

ITEM #	PART #	DESCRIPTION
1 (optional)	21257903	WIRING HARNESS, SATELLITE ANTENNA
2	21610115	WIRING HARNESS, CABLE ASSEMBLY POWER EXTENSION
3	21610139	WIRING HARNESS, CABLE ASSEMBLY POWER
4	21516336	WIRES, HARNESS, DISPLAY
5	21610331	WIRING HARNESS, ACCESSORY CABLE
6	21759238	WIRING HARNESS, ACCESSORY
17	21257160	WIRING HARNESS, SPEAKER CAB/ROOF INTER
18	21258130	WIRING HARNESS, SPEAKER SWITCH
19	21721810	WIRING HARNESS, WIB W/GROMMET
	21819456	CABLE WIB W/REPEATER
20	21721814	WIRING HARNESS, WIB EXTENSION



Group Trucks Technology

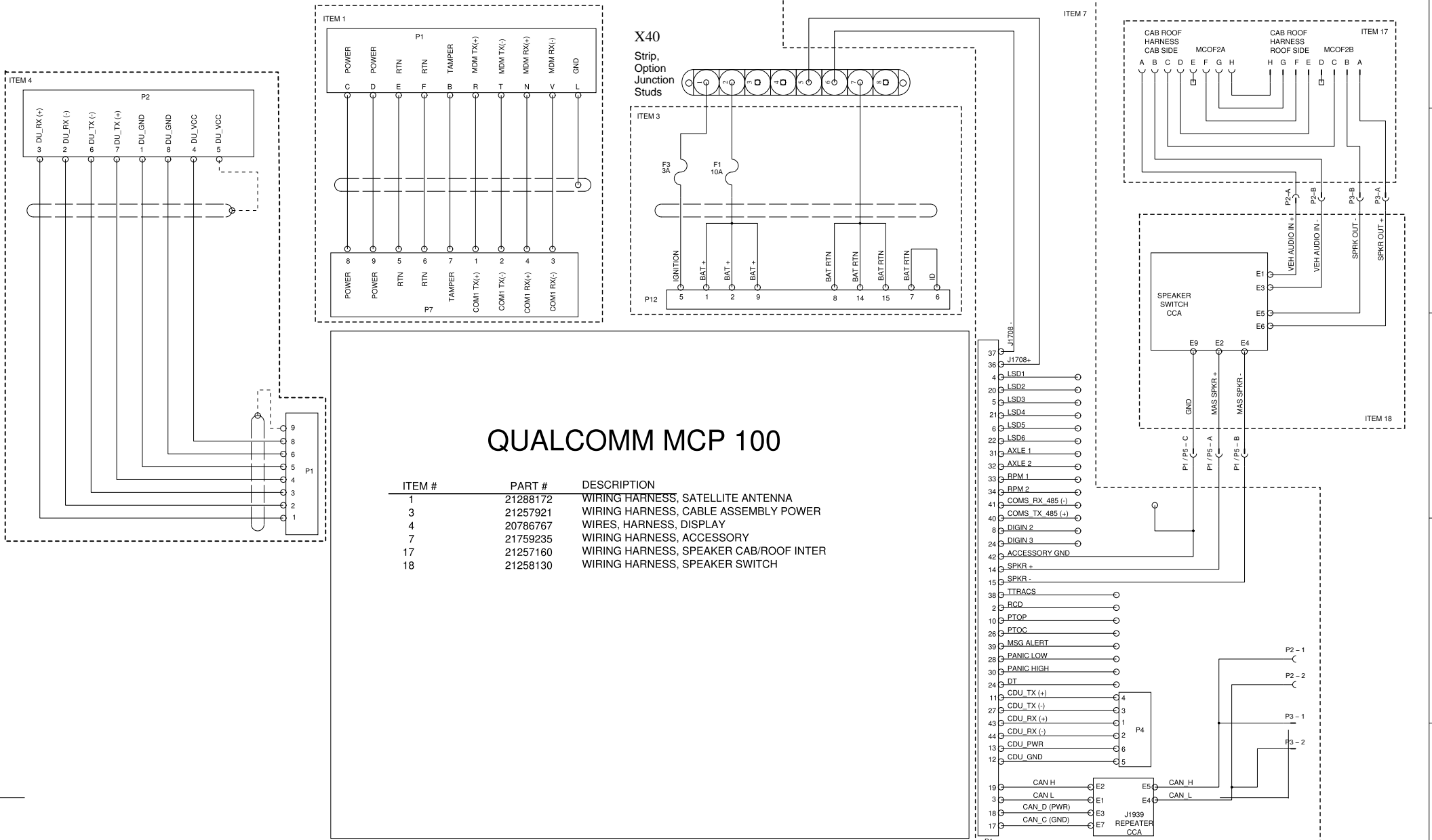
Document title
 WIRING DIAGRAM - PC28 - 12V MACK - 2013BP - ENG-CU12
 Document type
 PRODUCT SCHEMATIC

Document No	Issue	Volume	Page
22234428	02	01	25 (83)

QUALCOMM MCP 100 W/DAYCAB

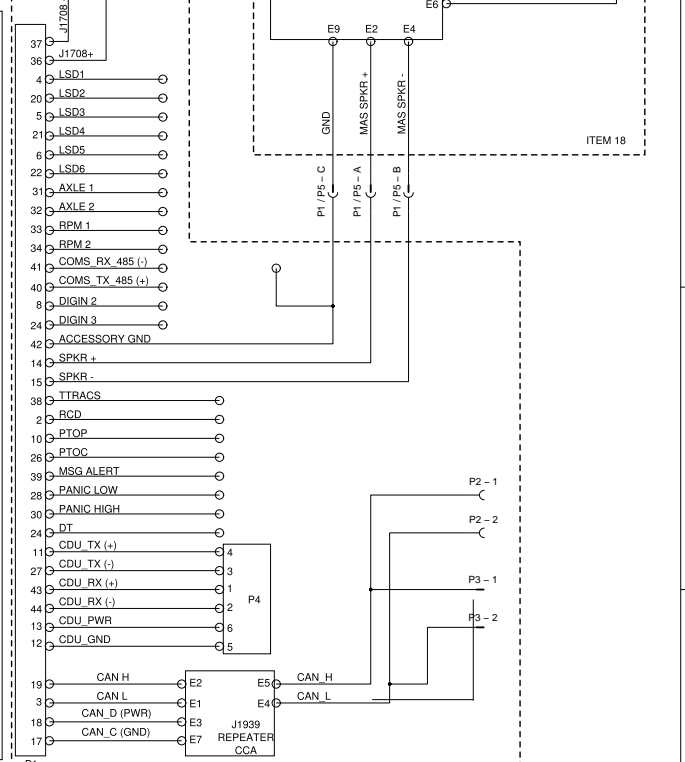
WIRING DIAGRAM: BW

BATT
IGN
EMS
ILLUM



QUALCOMM MCP 100

ITEM #	PART #	DESCRIPTION
1	21288172	WIRING HARNESS, SATELLITE ANTENNA
3	21257921	WIRING HARNESS, CABLE ASSEMBLY POWER
4	20786767	WIRES, HARNESS, DISPLAY
7	21759235	WIRING HARNESS, ACCESSORY
17	21257160	WIRING HARNESS, SPEAKER CAB/ROOF INTER
18	21258130	WIRING HARNESS, SPEAKER SWITCH



Group Trucks Technology

Document title
WIRING DIAGRAM - PC28 - 12V MACK - 2013BP - ENG-CU12

Document type
PRODUCT SCHEMATIC

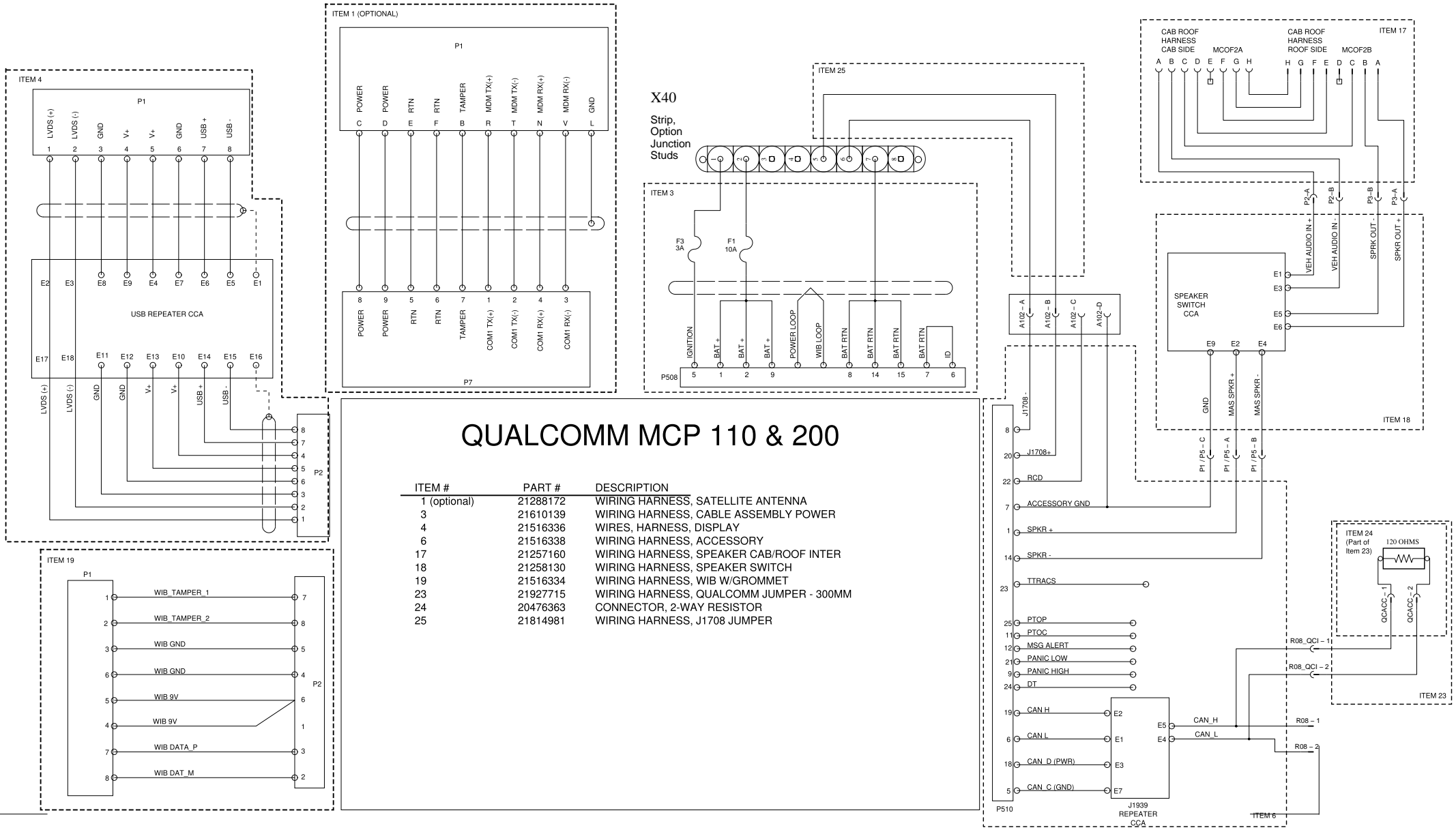
Document No	Issue	Volume	Page
22234428	02	01	26 (83)

QUALCOMM MCP 110 & 200 W/DAYCAB

WIRING DIAGRAM: BX

BATT
IGN
EMS
ILLUM

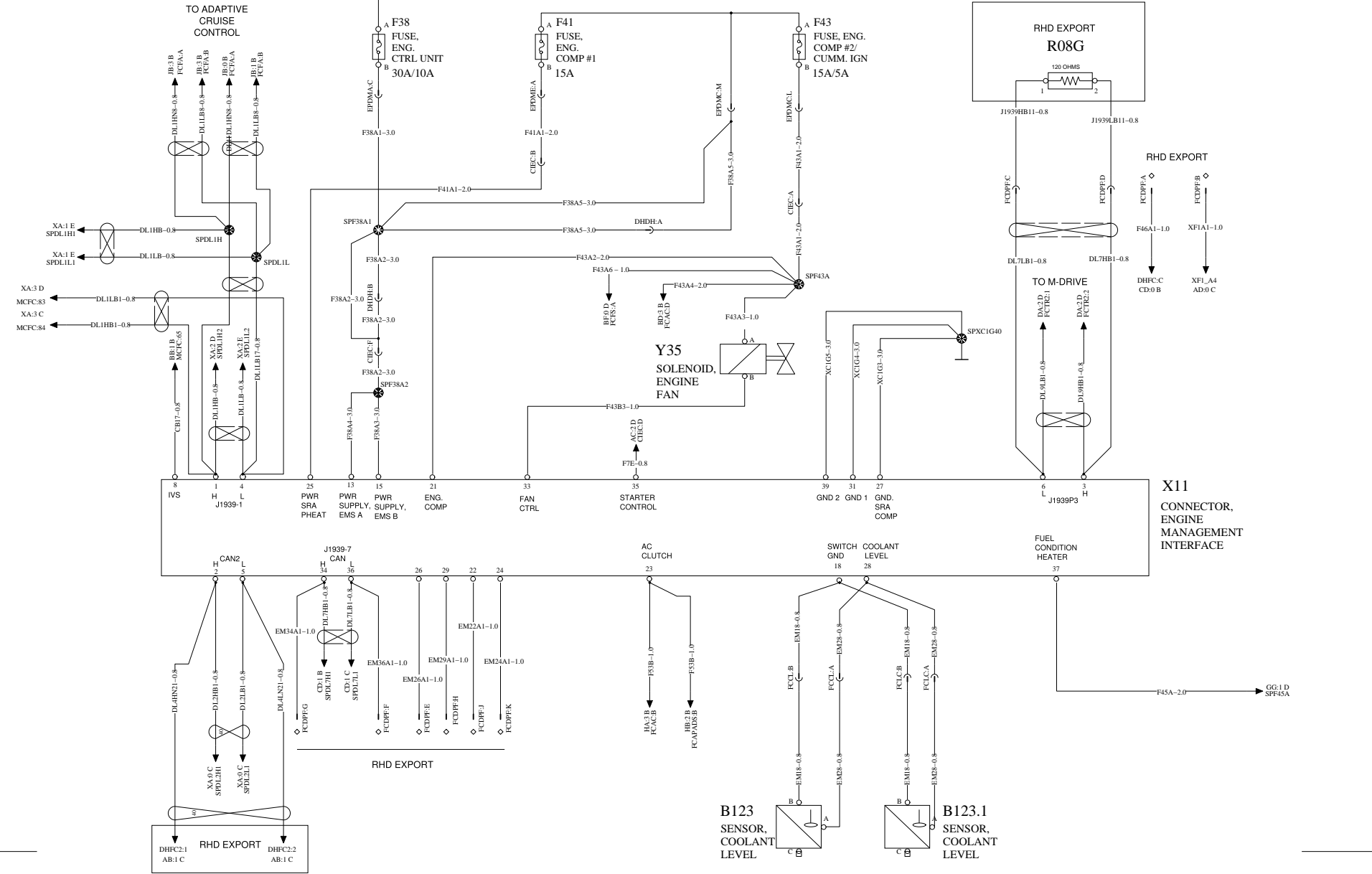
BATT
IGN
EMS
ILLUM



ENGINE INTERFACE MP11

WIRING DIAGRAM: CA

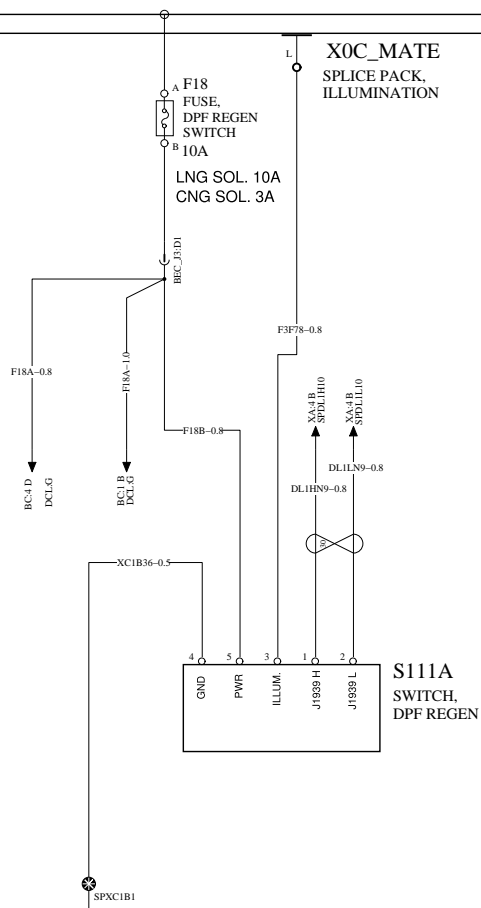
BATT
IGN
EMS
ILLUM



DPF REGENERATION SYSTEM

WIRING DIAGRAM: CB

BATT
IGN
EMS
ILLUM



Group Trucks Technology

Document title
WIRING DIAGRAM - PC28 - 12V MACK - 2013BP - ENG-CU12

Document type
PRODUCT SCHEMATIC

Document No

22234428

Issue

02

Volume

01

Page

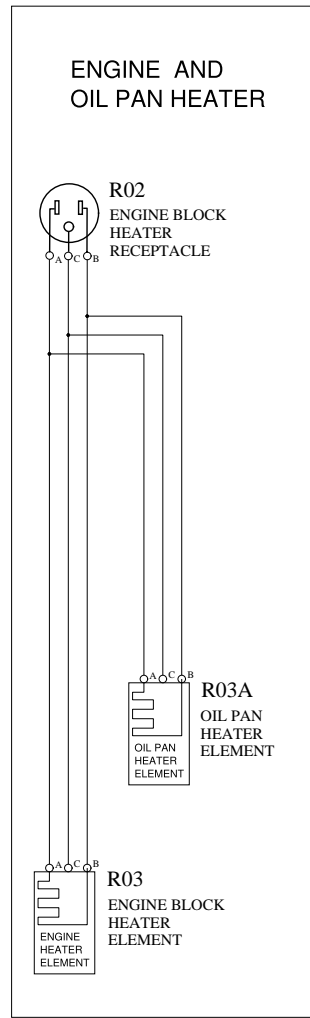
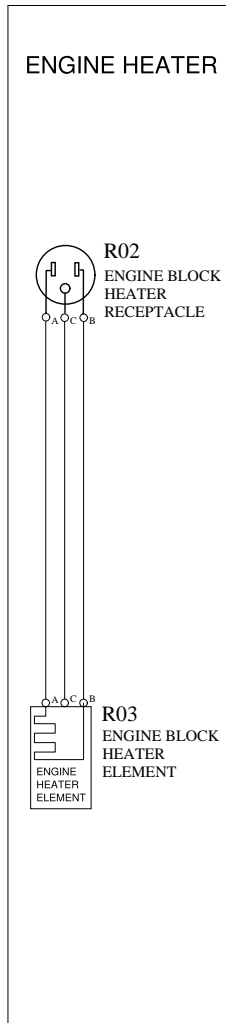
29 (83)

ENGINE HEATER

WIRING DIAGRAM: CC

BATT
IGN
EMS
ILLUM

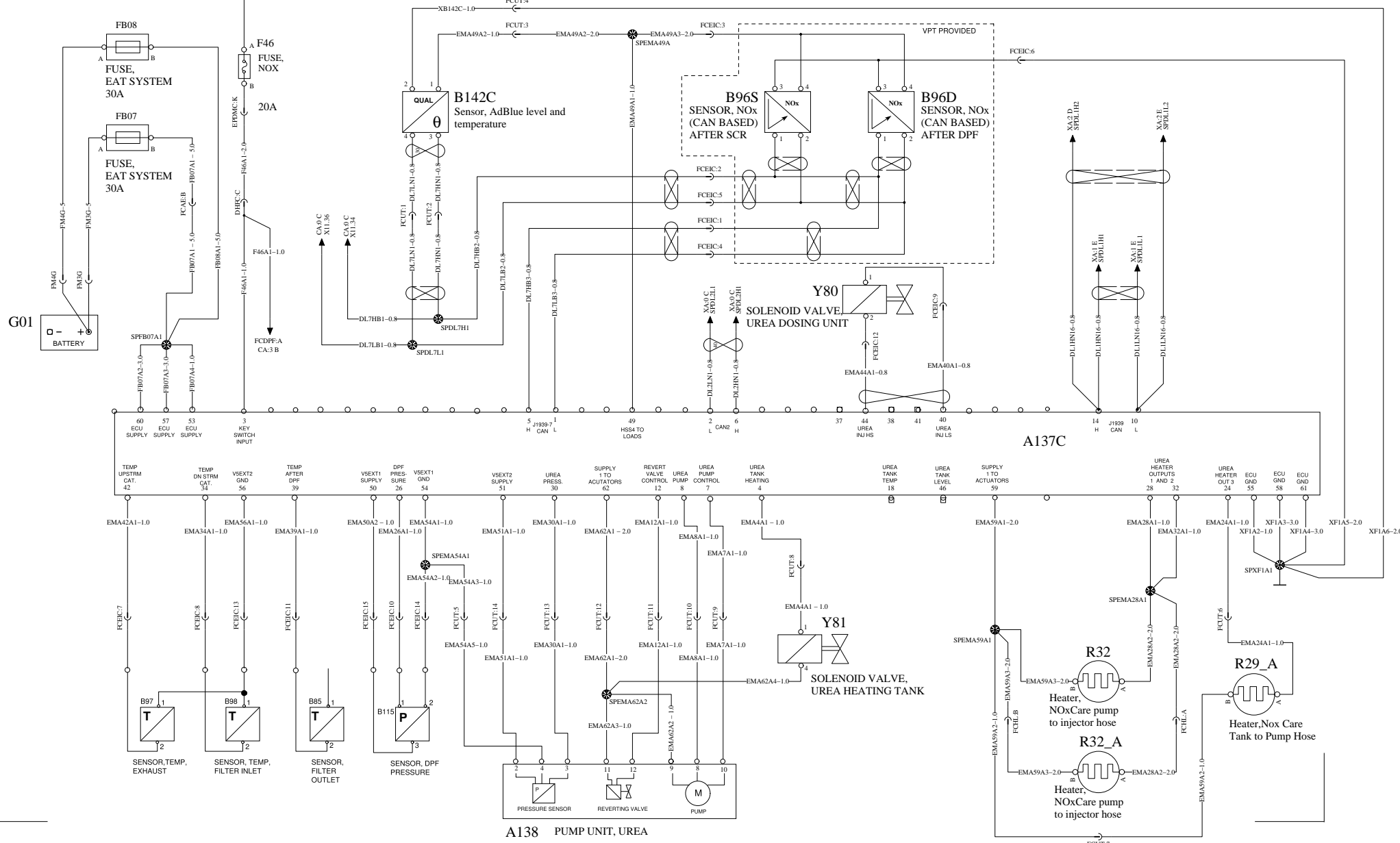
BATT
IGN
EMS
ILLUM



UREA DOSING SYSTEM

WIRING DIAGRAM: CD

BATT
IGN
EMS
ILLUM



Document title
WIRING DIAGRAM - PC28 - 12V MACK - 2013BP - ENG-CU12

Document type
PRODUCT SCHEMATIC

Document No	Issue	Volume	Page
22234428	02	01	31 (83)



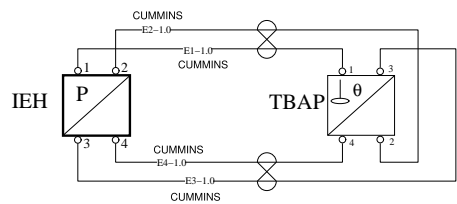
Group Trucks Technology

ENGINE CONTROL ISL US13 1/2

WIRING DIAGRAM: CE

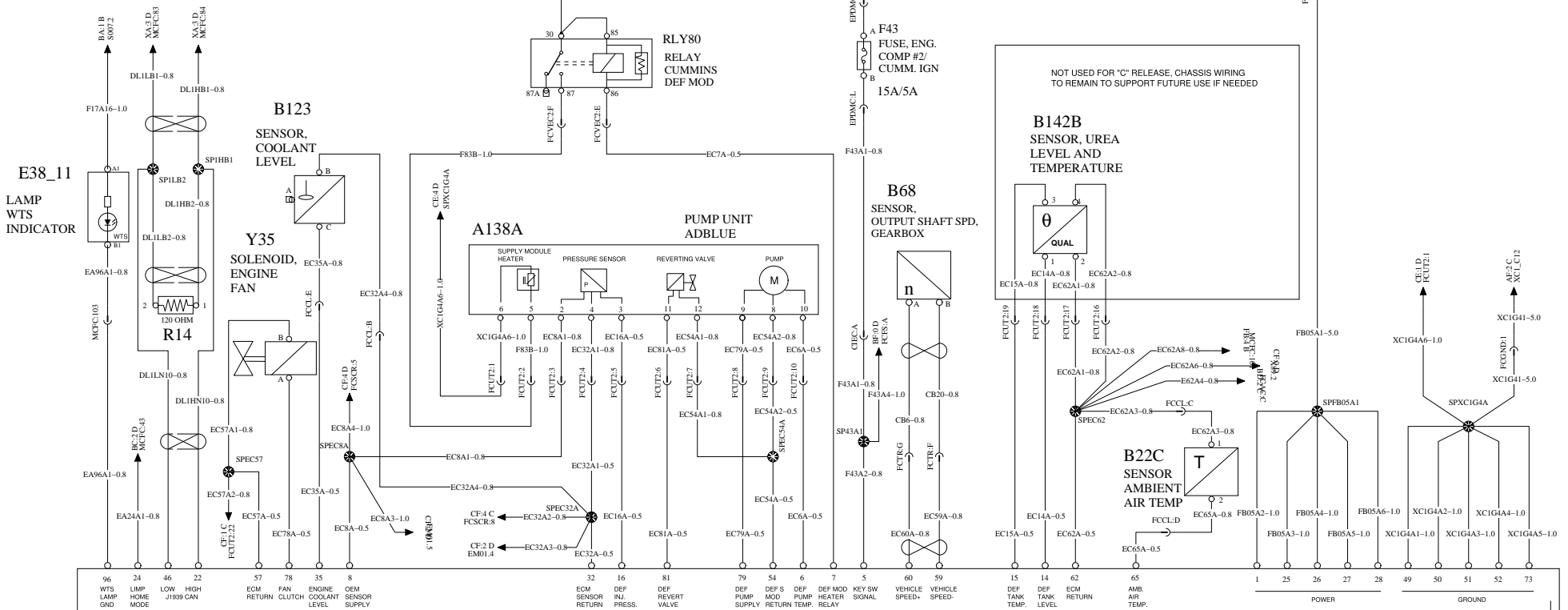
BATT
IGN
EMS
ILLUM

BATT
IGN
EMS
ILLUM



PRESSURE SENSOR WIRES ARE QUADRUPLE TWIST

NOTE: REFERENCE FUSE "F85" SHEET "CF" FOR CIRCUIT INFORMATION.



E38_11
LAMP
WTS
INDICATOR

B123
SENSOR,
COOLANT
LEVEL

Y35
SOLENOID,
ENGINE
FAN

A138A
SUPPLY MODULE
HEATER

PUMP UNIT
ADBLUE

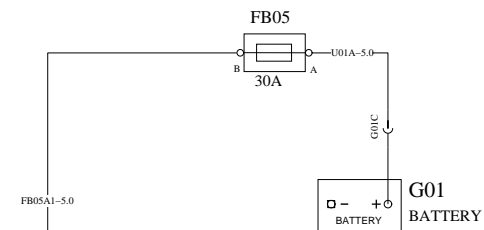
B68
SENSOR,
OUTPUT SHAFT SPD,
GEARBOX

B142B
SENSOR, UREA
LEVEL AND
TEMPERATURE

B22C
SENSOR
AMBIENT
AIR TEMP

A14B CONTROL UNIT, EMS, CUMMINS

96	24	46	22	57	78	35	8	32	16	81	79	54	6	7	5	60	59	15	14	62	65	1	25	26	27	28	49	50	51	52	73	
WTS LAMP	LAMP HOME	LOW HIGH	VEHICLE SPEED	WIF SENSOR	A/C SWITCH	DEF PRESS.	DEF DOSING	DEF INJ. VALVE	DEF INJ. VALVE	DEF HTR. RELAY	DEF LINE CURR2	DEF LINE CURR1	DEF HTR1	DEF DEF. RETURN	DEF DEF. PRESS.	DEF DEF. REVERT. VALVE	DEF DEF. PUMP SUPPLY	DEF DEF. MOD. RETURN	DEF DEF. HEATER	DEF DEF. HEATER	DEF KEY SW SIGNAL	DEF VEHICLE SPEED+	DEF VEHICLE SPEED-	DEF DEF. TANK LEVEL	DEF DEF. TANK LEVEL	DEF ECM RETURN	DEF AMB. AIR TEMP.	POWER	GROUND	GROUND	GROUND	GROUND
75	83	76	66	13	43	53	77	82	3	40	85	84	38	39	39	39	39	4	80	18	42	41	42	41	42	41	42	41	42	41	42	41



Group Trucks Technology

Document title
WIRING DIAGRAM - PC28 - 12V MACK - 2013BP - ENG-CU12

Document type
PRODUCT SCHEMATIC

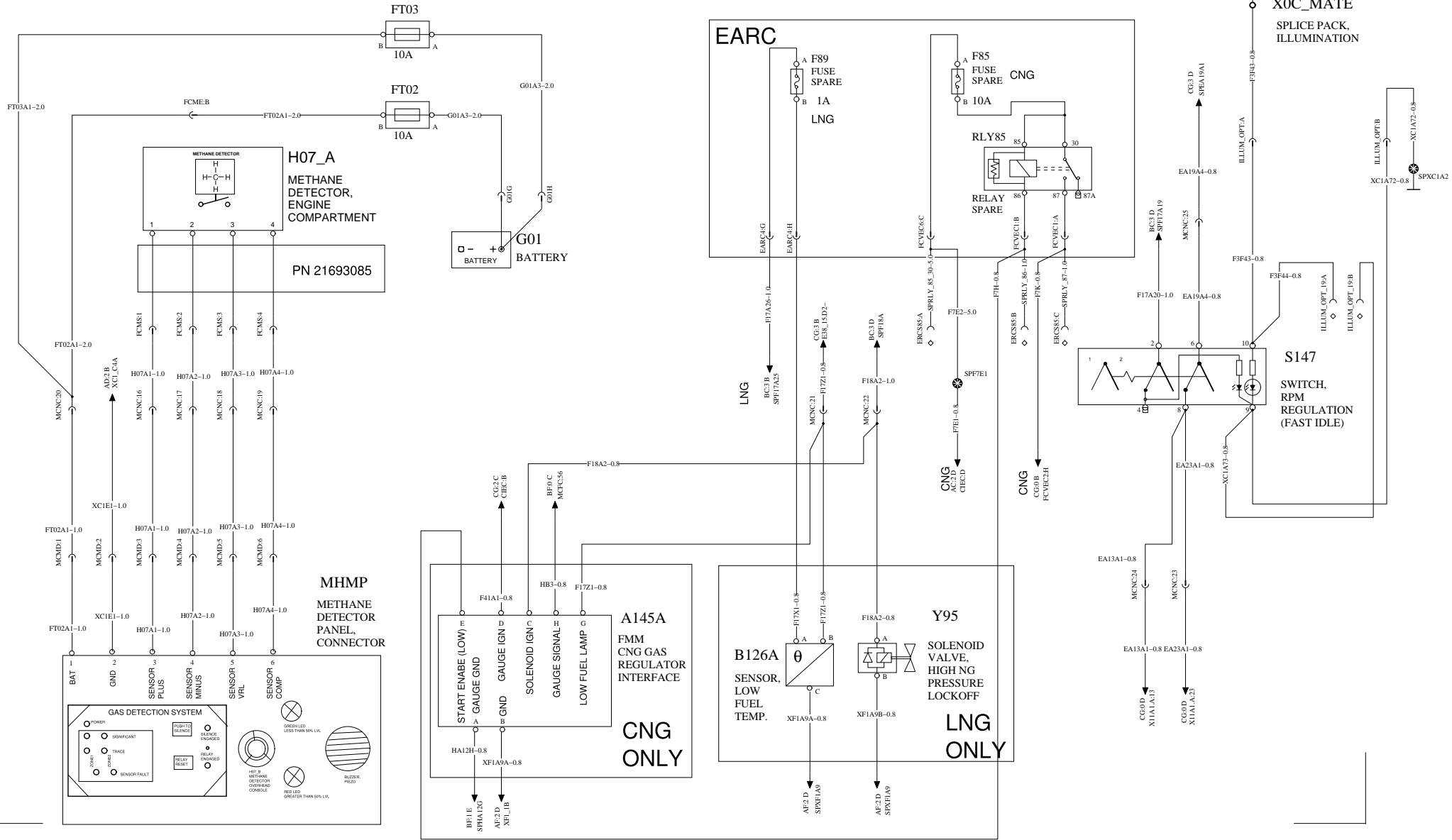
Document No	Issue	Volume	Page
22234428	02	01	32 (83)

ENGINE CONTROL ISX12G 2/2

WIRING DIAGRAM: CH

BATT
IGN
EMS
ILLUM

BATT
IGN
EMS
ILLUM

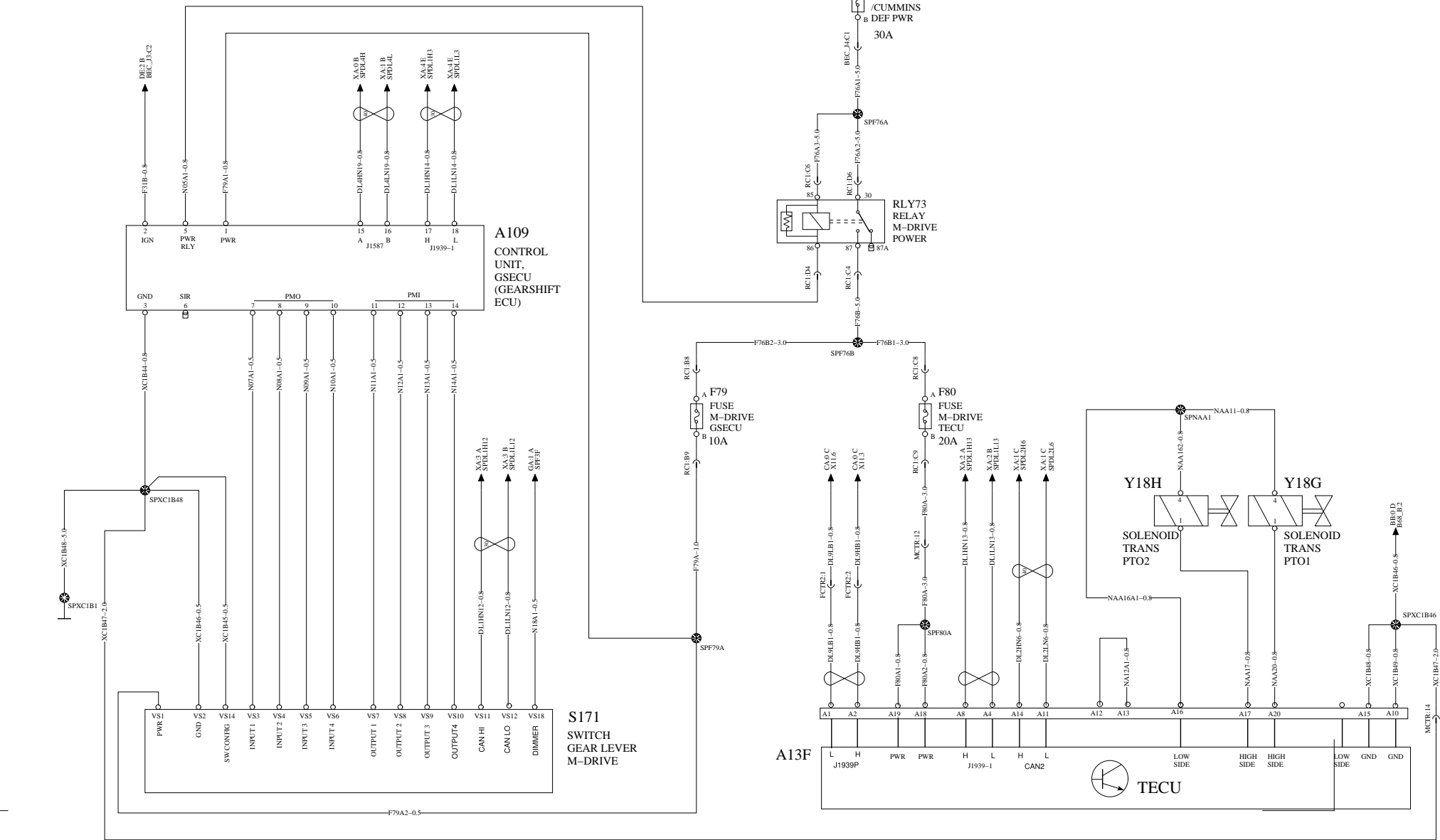


TRANSMISSION M-DRIVE

WIRING DIAGRAM: DA

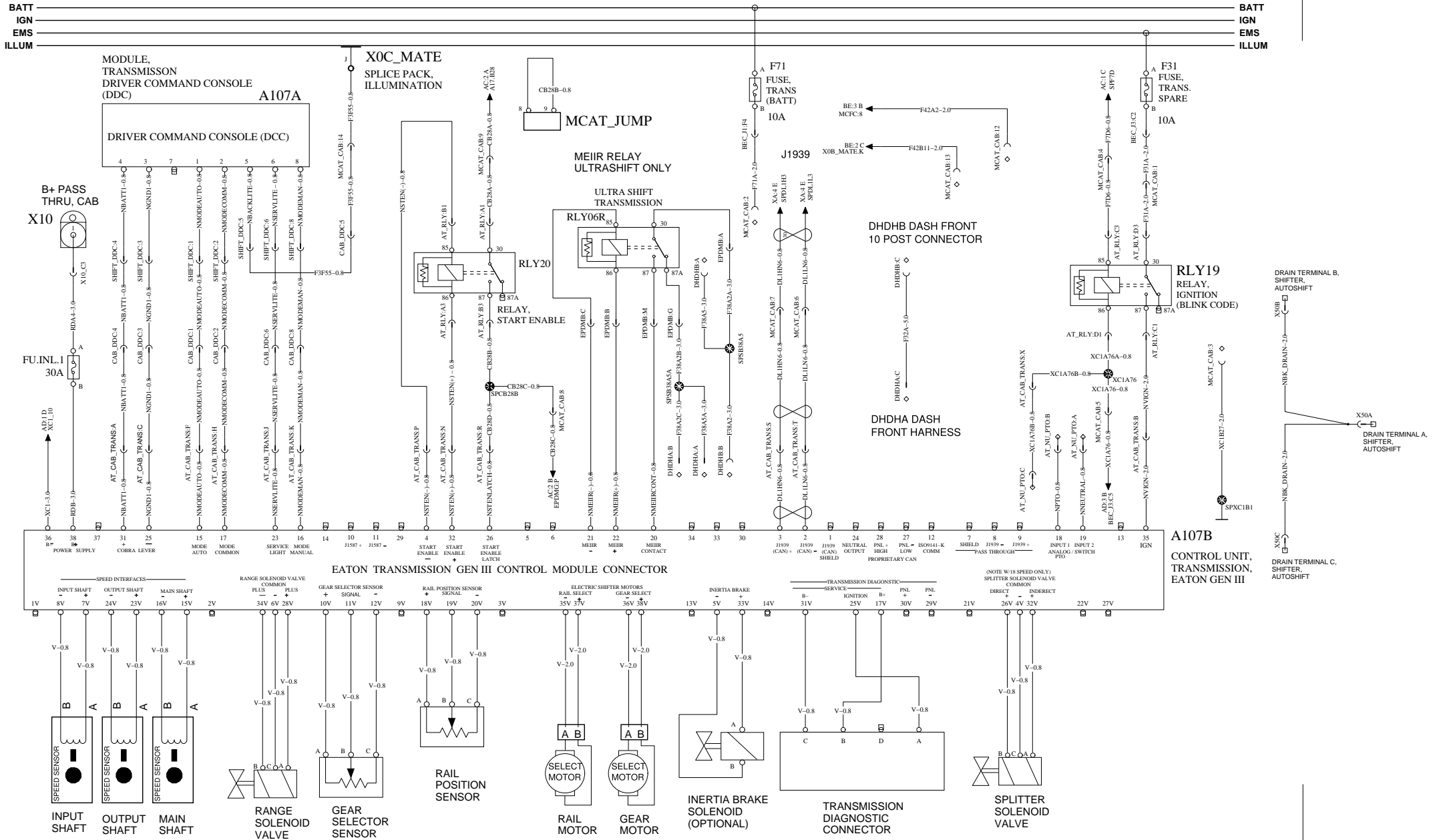
BATT
IGN
EMS
ILLUM

BATT
IGN
EMS
ILLUM



TRANSMISSION CONTROL: AUTOSHIFT / ULTRASHIFT III

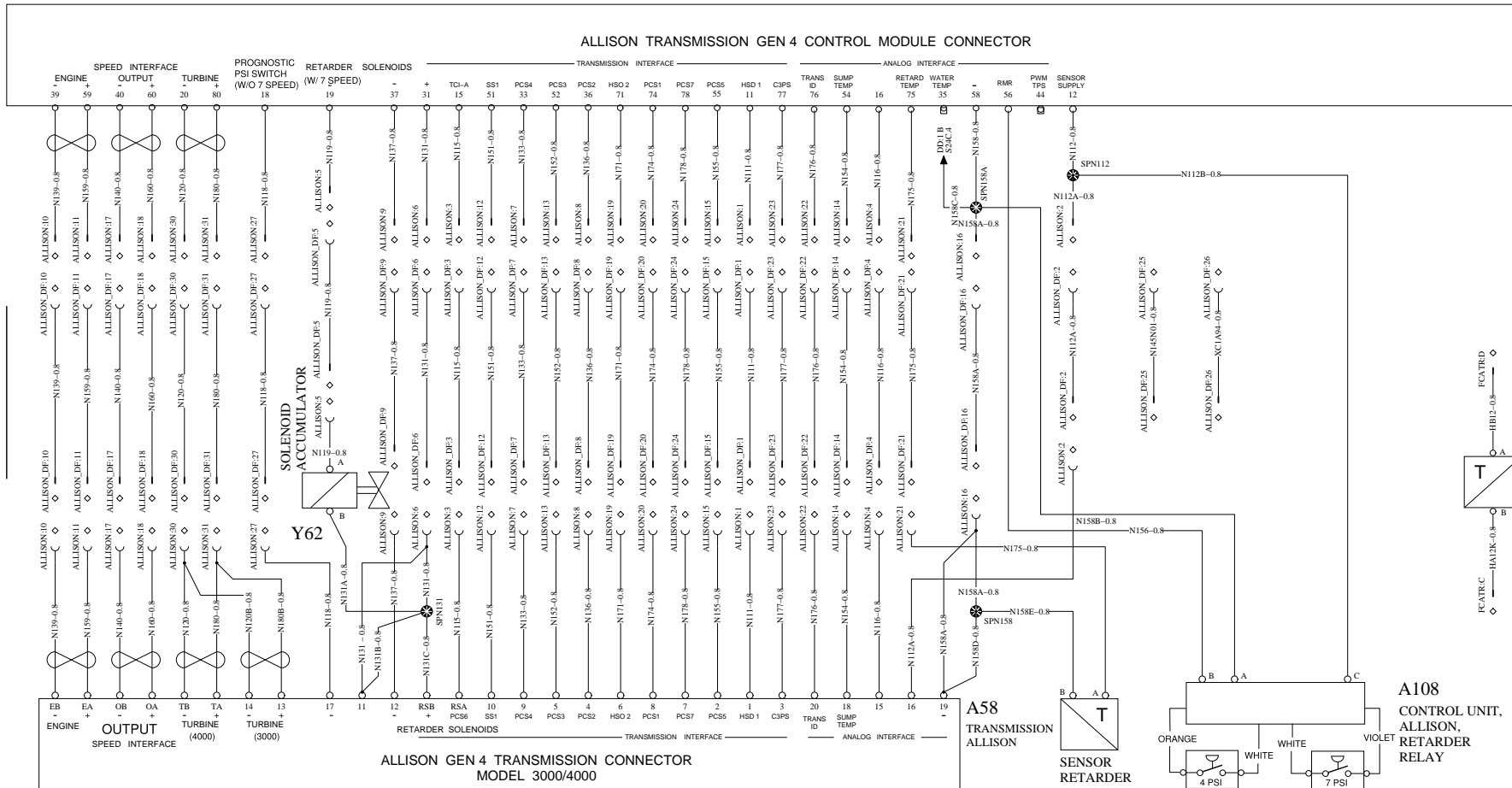
WIRING DIAGRAM: DB



BATT
IGN
EMS
ILLUM

A57 CONTROL UNIT,
ALLISON TRANSMISSION

RHD EXPORT

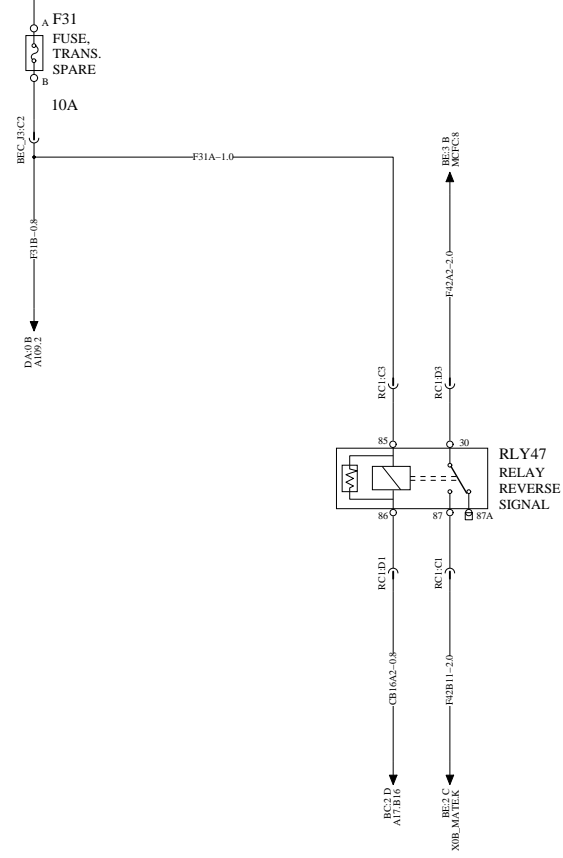


TRANSMISSION CONTROLS – M-DRIVE

WIRING DIAGRAM: DE

BATT
IGN
EMS
ILLUM

BATT
IGN
EMS
ILLUM



Group Trucks Technology

Document title
WIRING DIAGRAM - PC28 - 12V MACK - 2013BP - ENG-CU12

Document type
PRODUCT SCHEMATIC

Document No
22234428

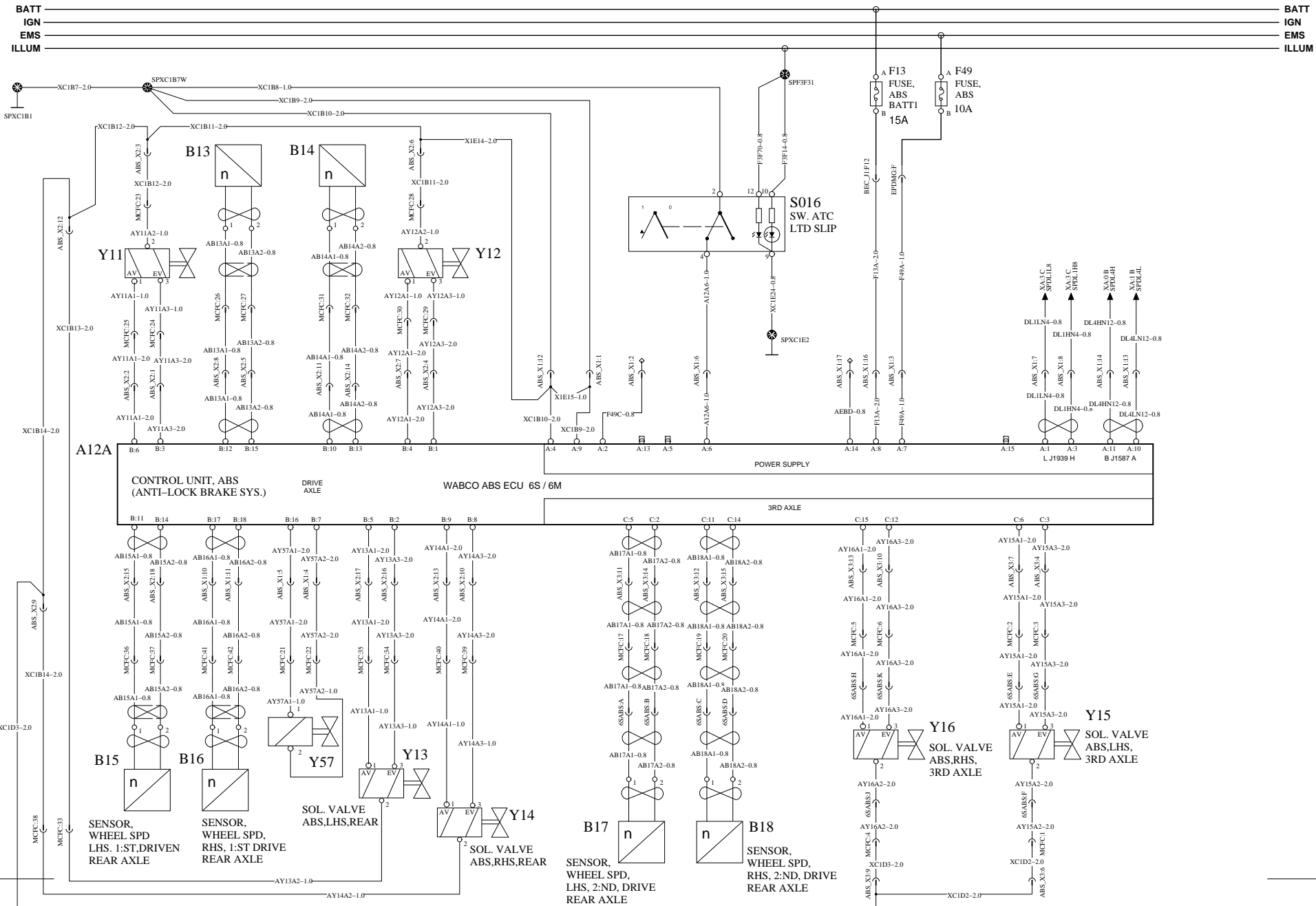
Issue
02

Volume
01

Page
40 (83)

ABS-WABCO

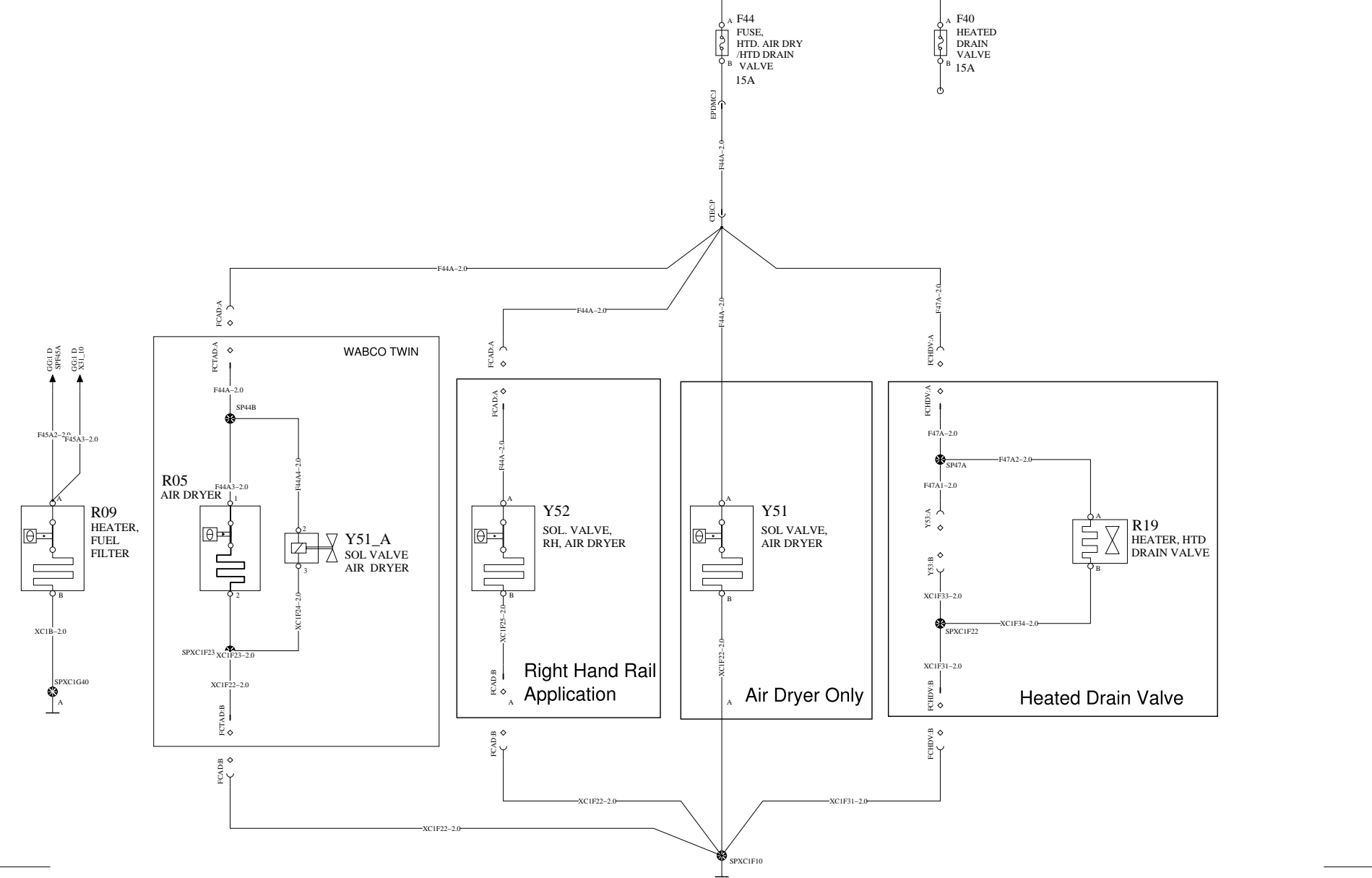
WIRING DIAGRAM: EA



AIR DRYER /HEATED DRAIN

WIRING DIAGRAM: FA

BATT
IGN
EMS
ILLUM



Group Trucks Technology

Document title
WIRING DIAGRAM - PC28 - 12V MACK - 2013BP - ENG-CU12

Document type
PRODUCT SCHEMATIC

Document No
22234428

Issue
02

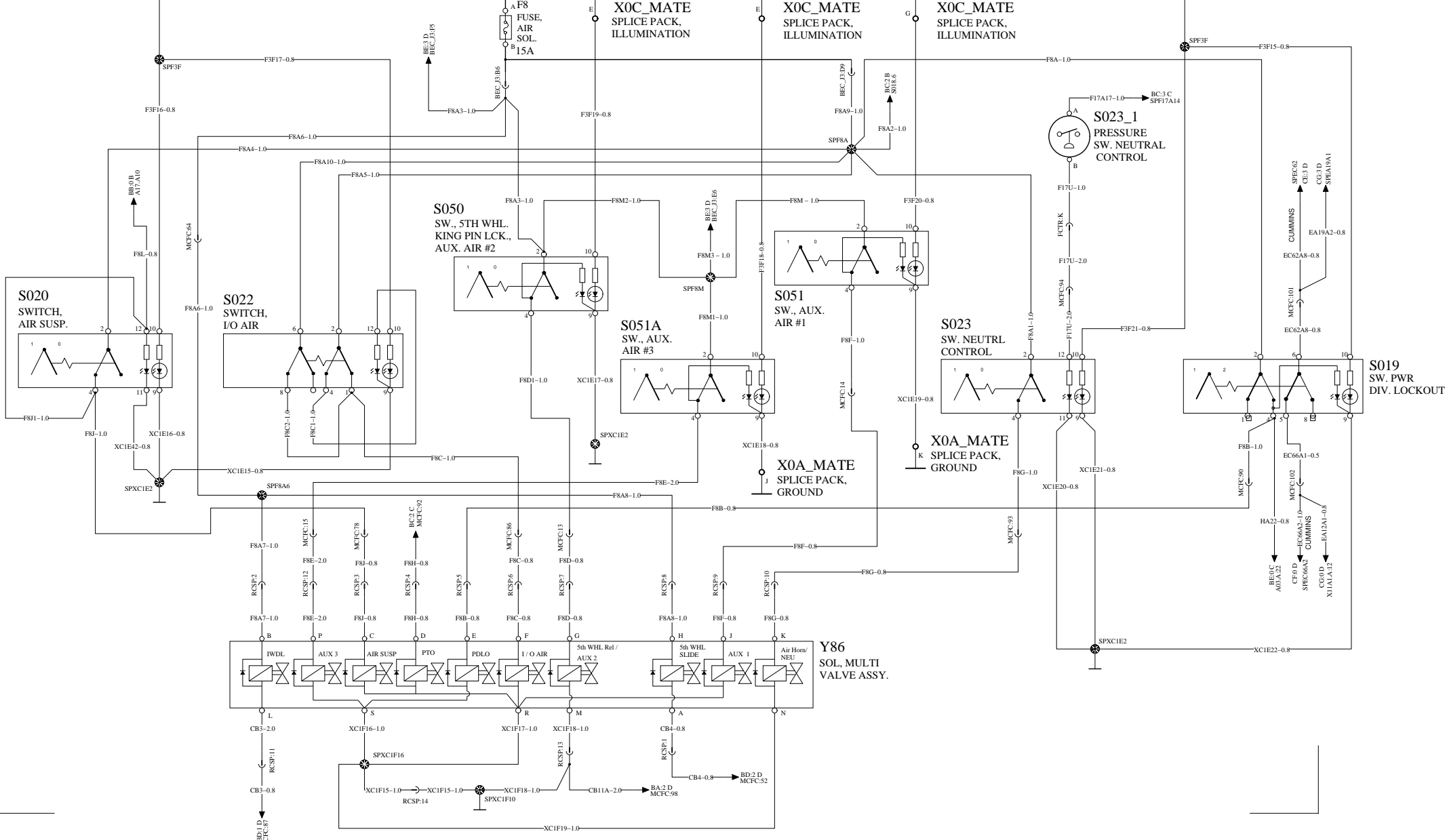
Volume
01

Page
44 (83)

CHASSIS SOLENOIDS

WIRING DIAGRAM: FB

BATT
IGN
EMS
ILLUM

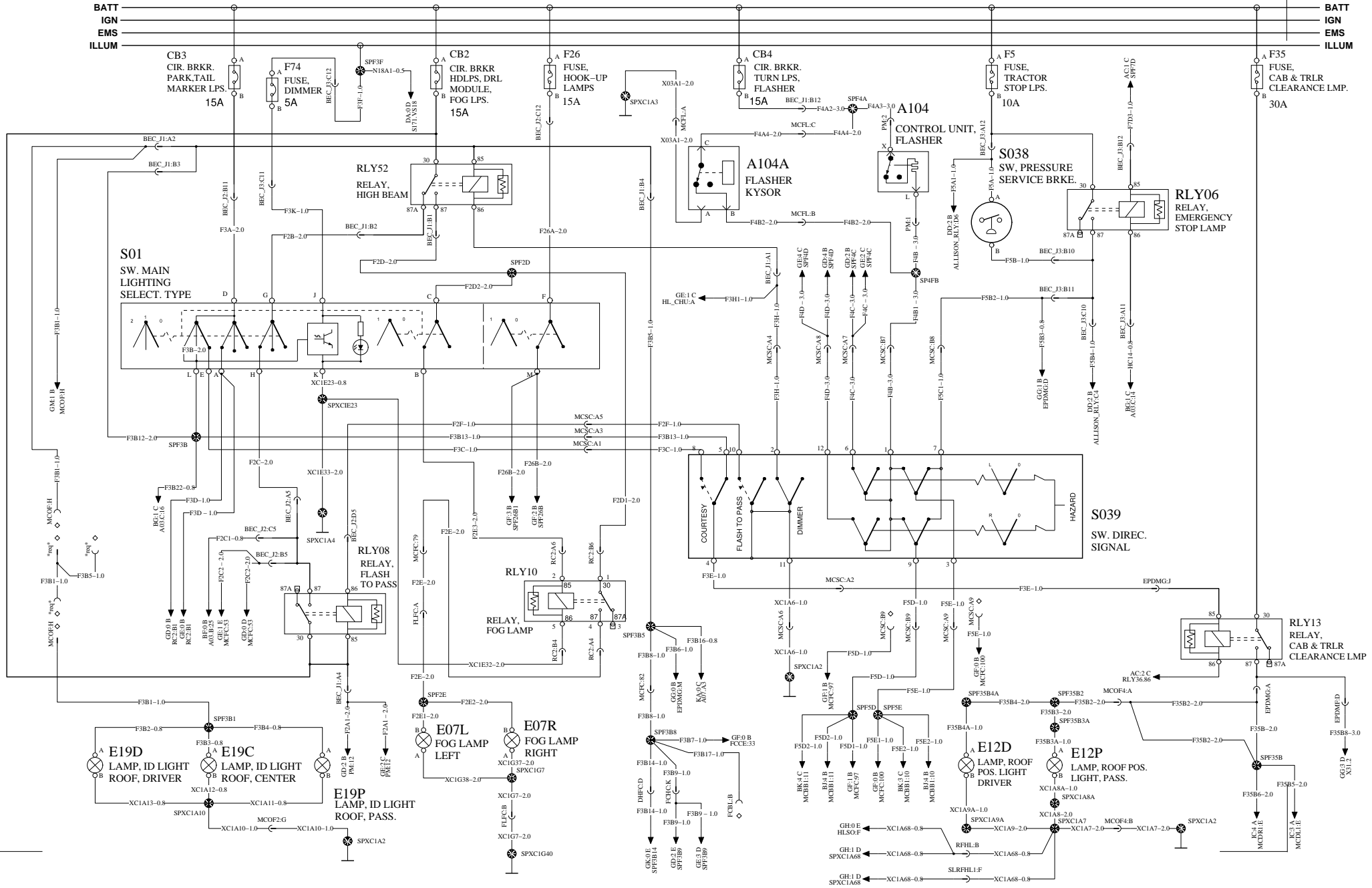


LIGHTING CONTROL

WIRING DIAGRAM: GA

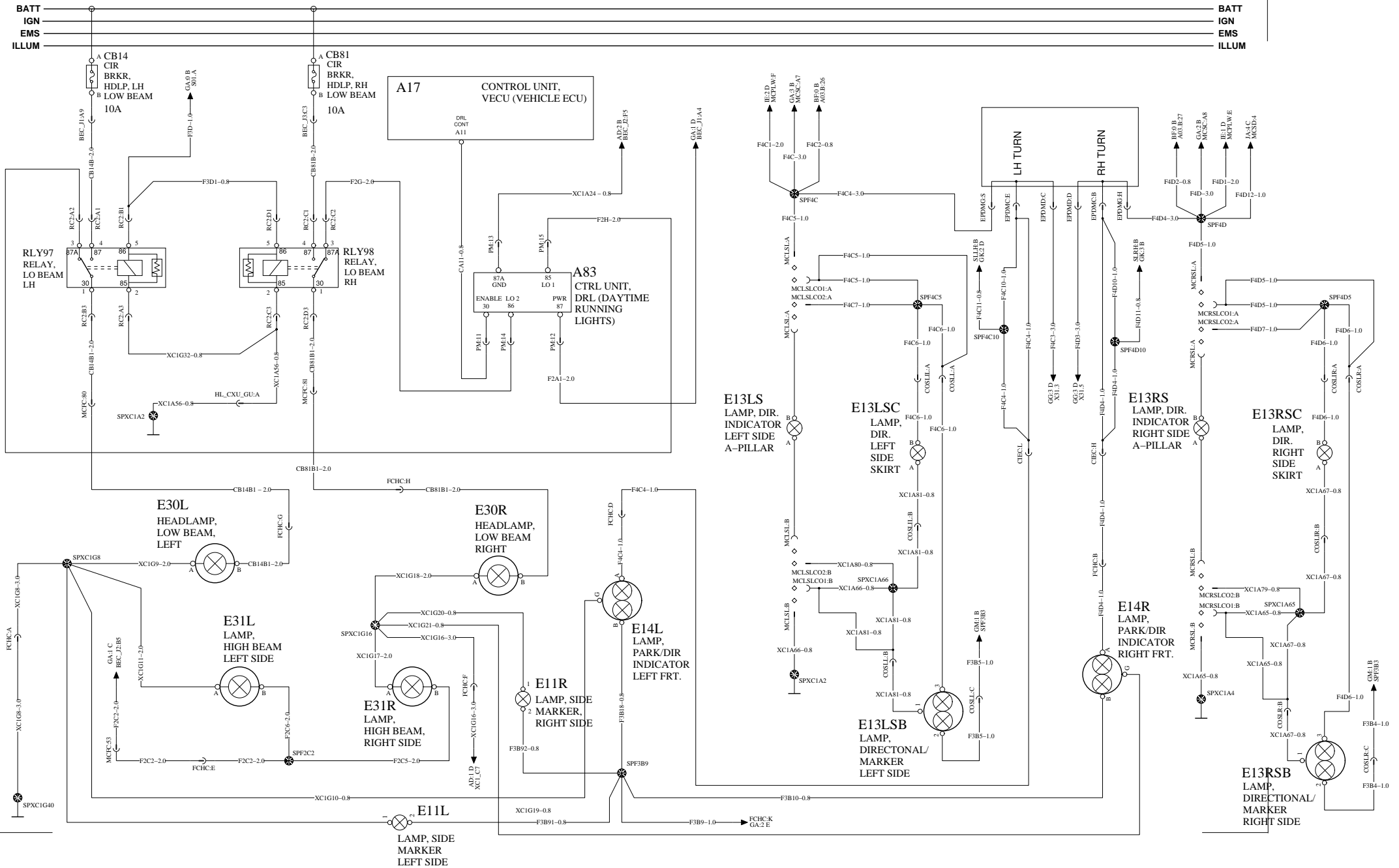
BATT
IGN
EMS
ILLUM

BATT
IGN
EMS
ILLUM



LIGHTING- FORWARD/SIGNAL (CXU, GU7 & GU8)

WIRING DIAGRAM: GD



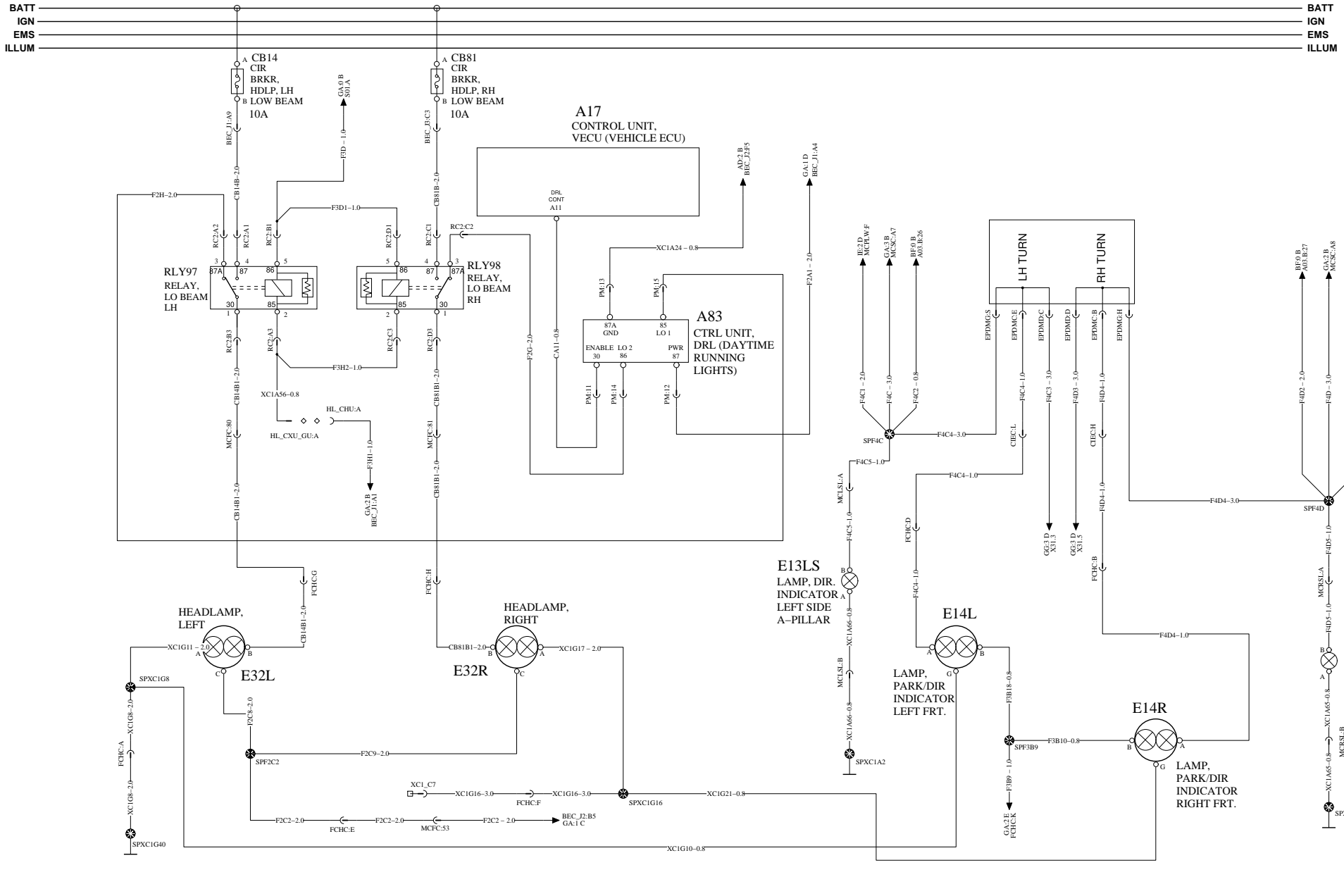
Group Trucks Technology

Document title WIRING DIAGRAM - PC28 - 12V MACK - 2013BP - ENG-CU12
Document type PRODUCT SCHEMATIC

Document No 22234428	Issue 02	Volume 01	Page 49 (83)
-------------------------	-------------	--------------	-----------------

LIGHTING- FORWARD/SIGNAL (CHU ONLY)

WIRING DIAGRAM: GE

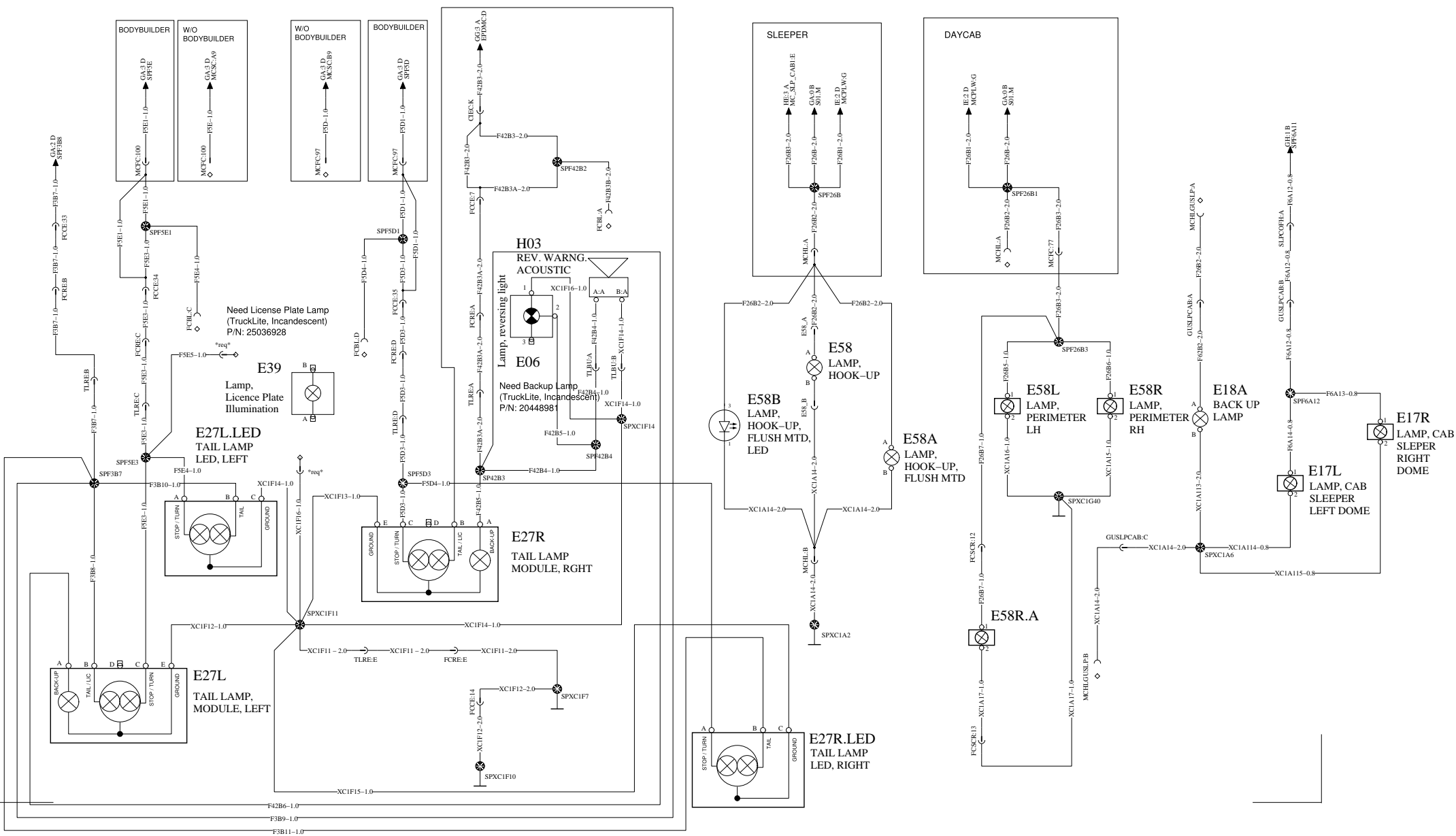


LIGHTING -TAIL/PERIMETER

WIRING DIAGRAM: GF

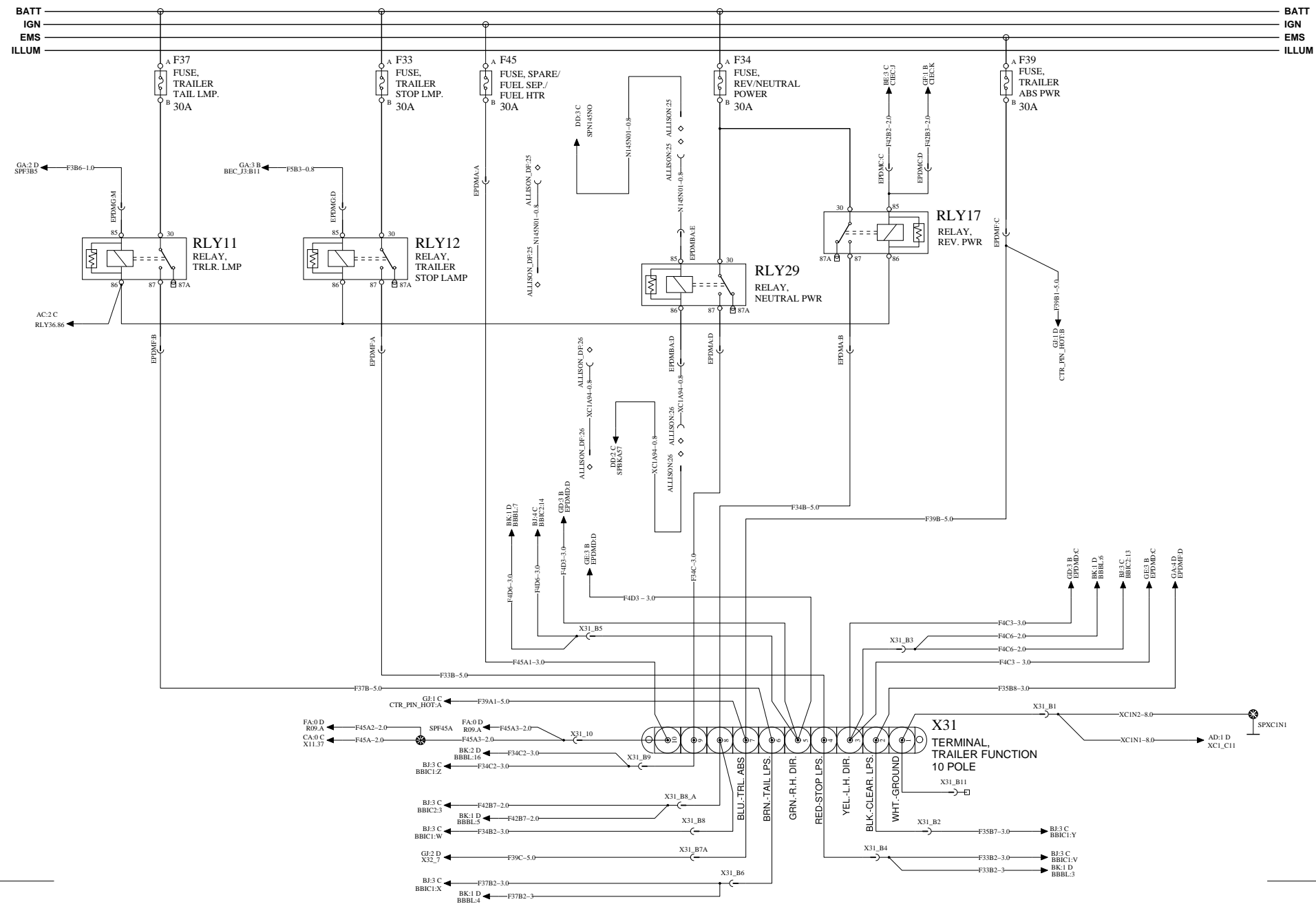
BATT
IGN
EMS
ILLUM

BATT
IGN
EMS
ILLUM



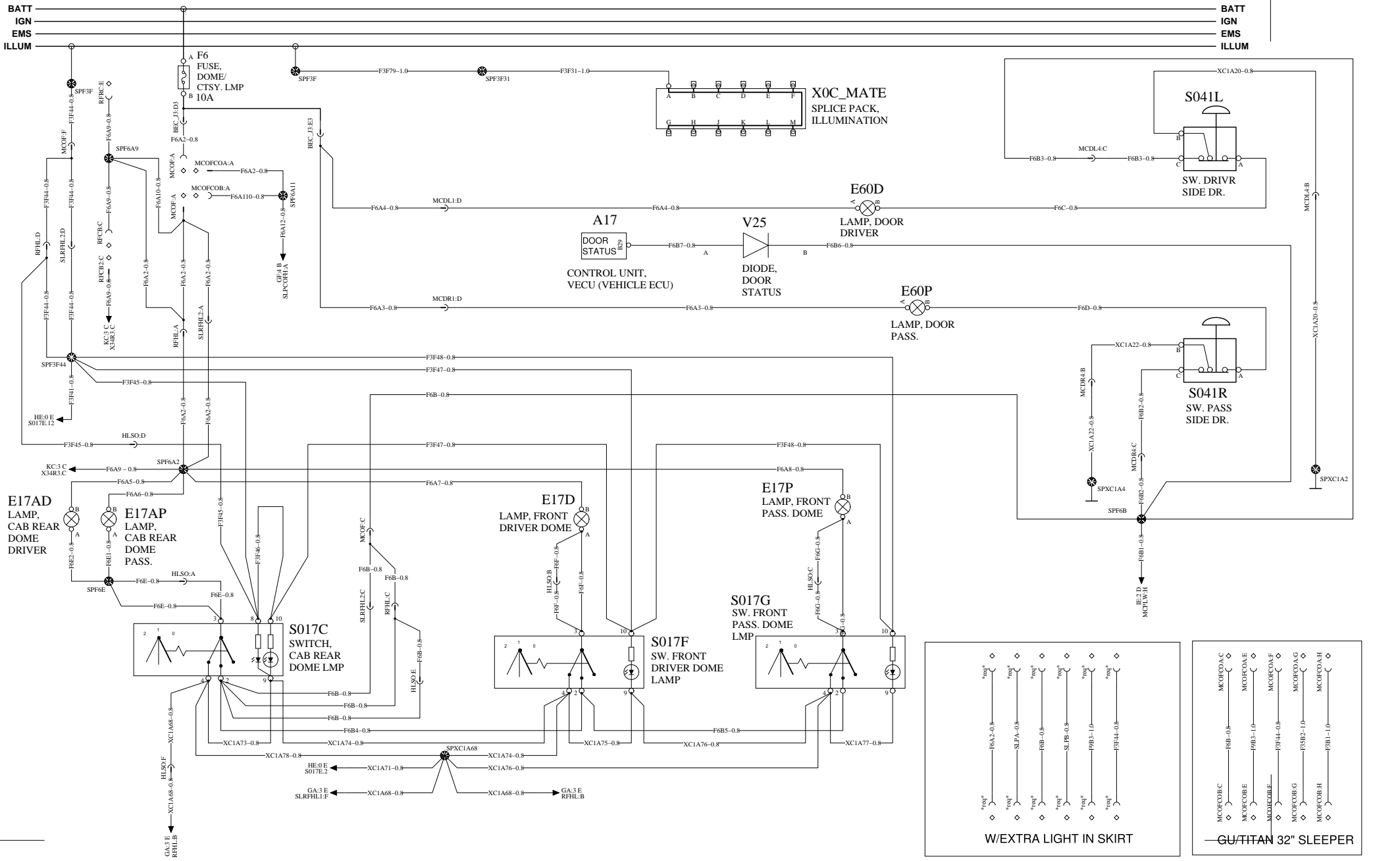
TRAILER LIGHTING CONTROL

WIRING DIAGRAM: GG



INTERIOR LIGHTING

WIRING DIAGRAM: GH

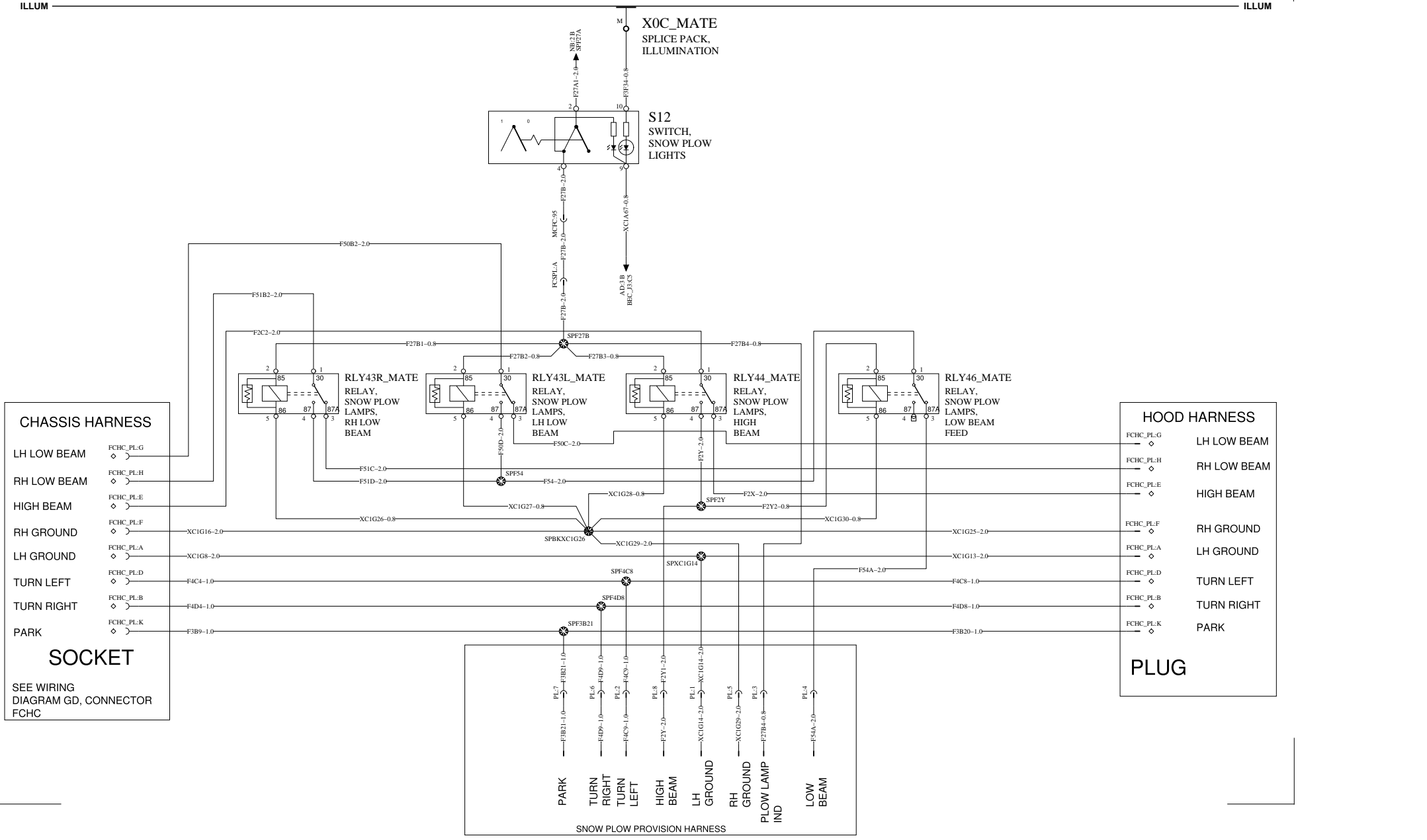


SNOW PLOW PREP CONNECTOR

WIRING DIAGRAM: GI

BATT
IGN
EMS
ILLUM

BATT
IGN
EMS
ILLUM

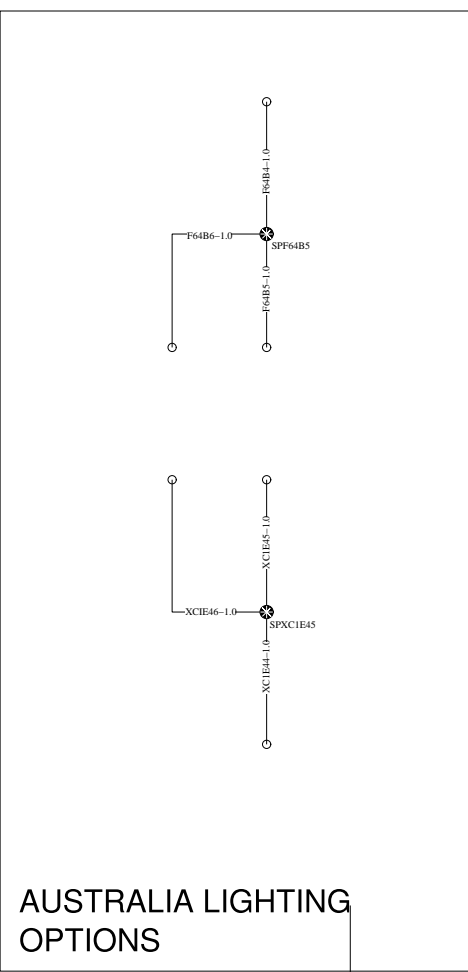
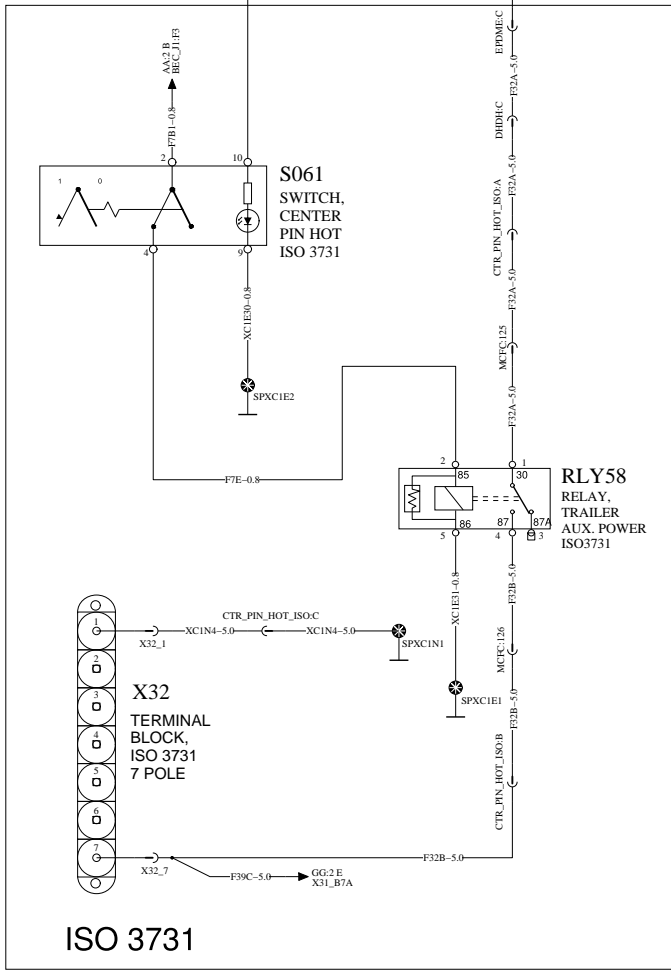
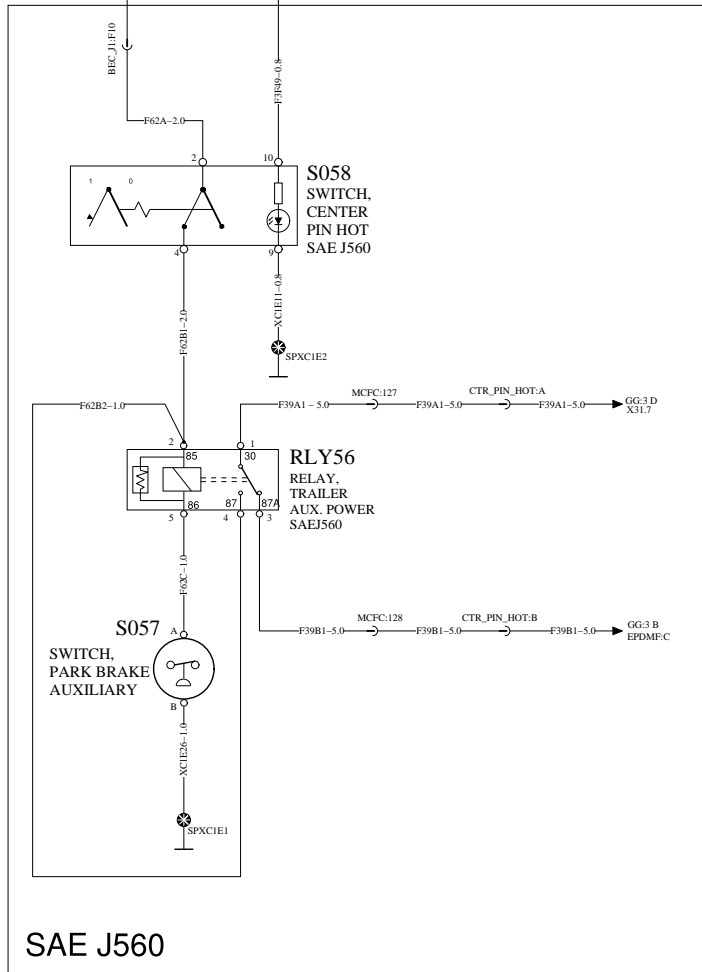


TRAILER RECEPTACLE CENTER PIN HOT

WIRING DIAGRAM: GJ

BATT
IGN
EMS
ILLUM

BATT
IGN
EMS
ILLUM

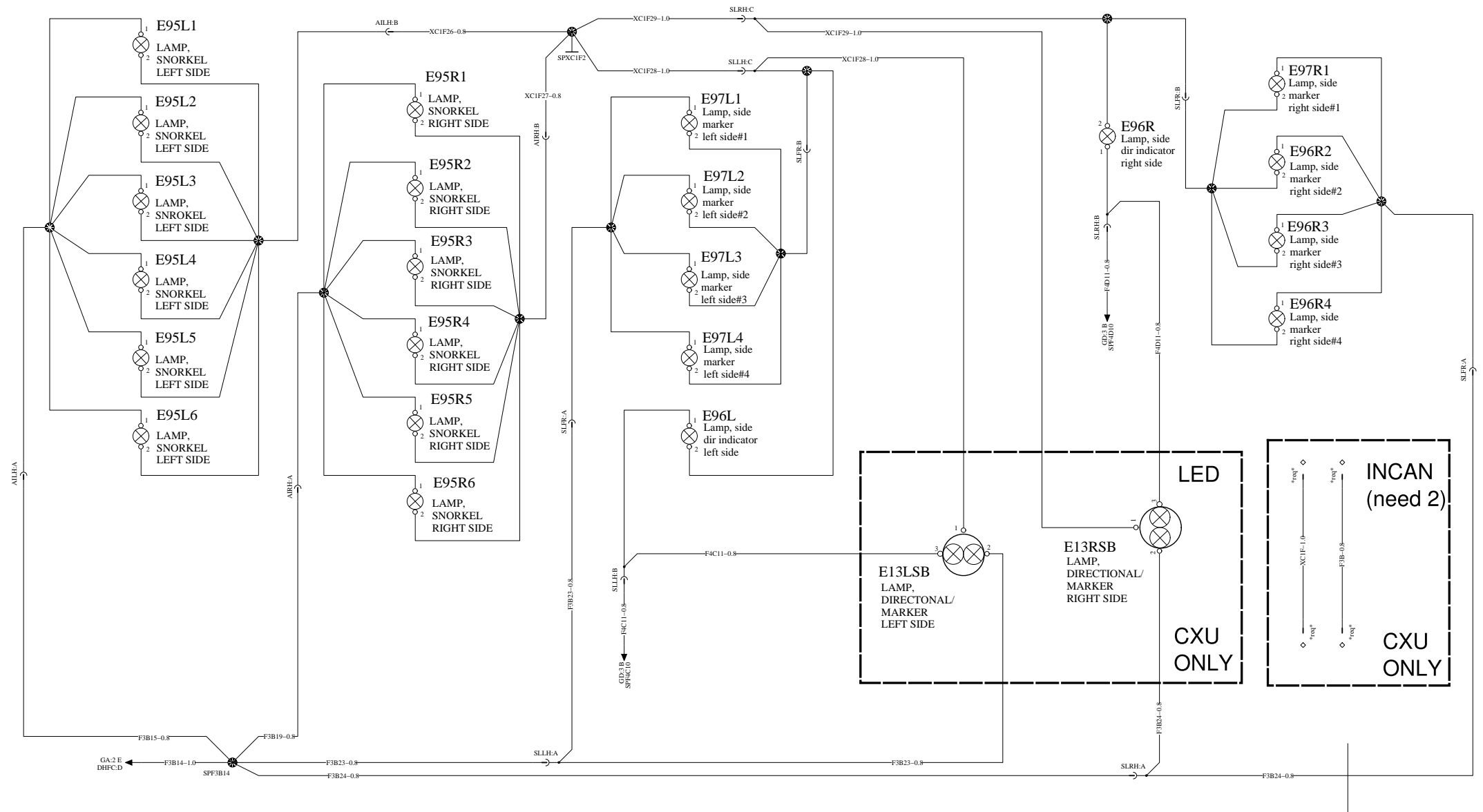


TITAN LIGHTING OPTIONS

WIRING DIAGRAM: GK

BATT
IGN
EMS
ILLUM

BATT
IGN
EMS
ILLUM



Group Trucks Technology

Document title
WIRING DIAGRAM - PC28 - 12V MACK - 2013BP - ENG-CU12

Document type
PRODUCT SCHEMATIC

Document No
22234428

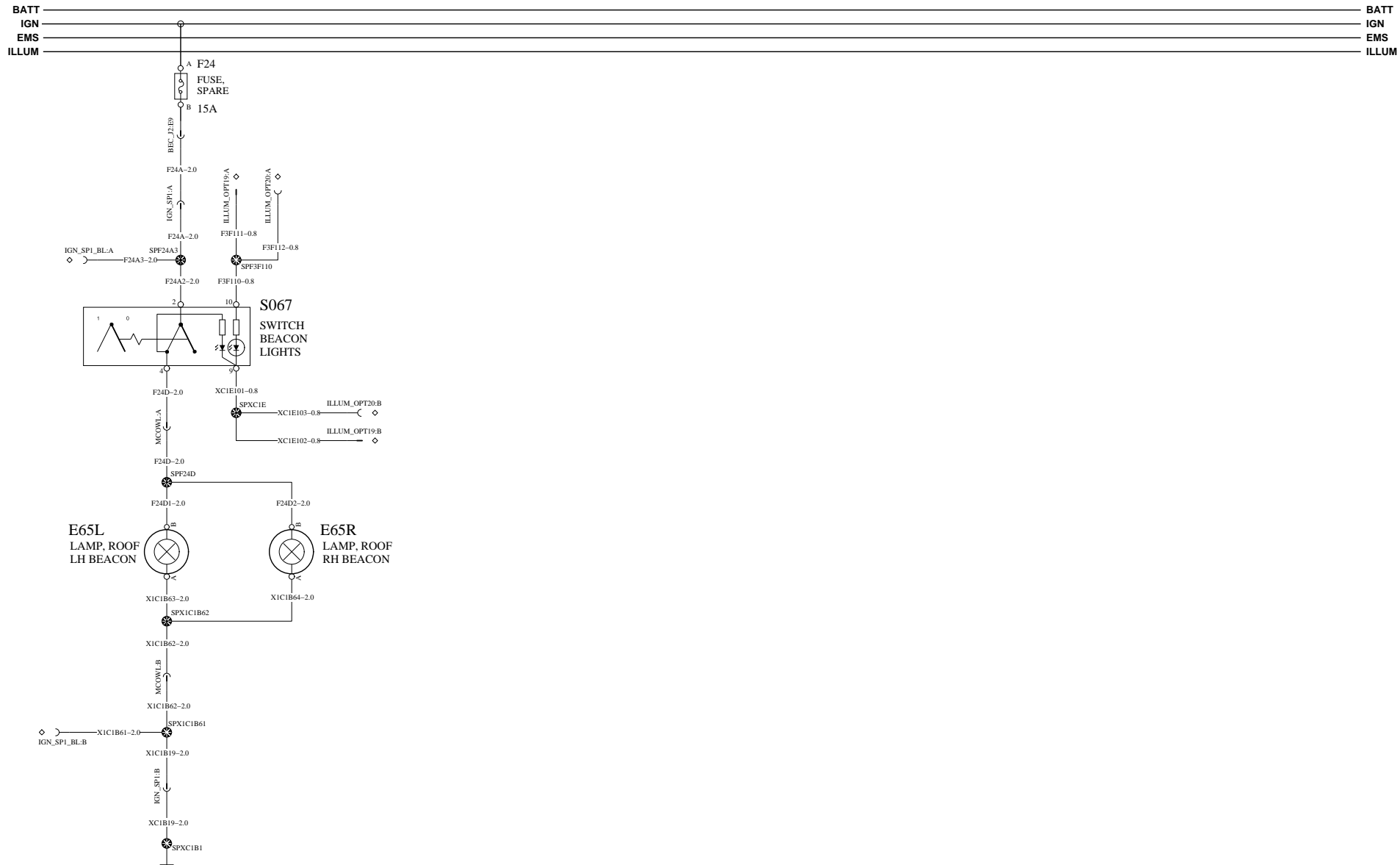
Issue
02

Volume
01

Page
56 (83)

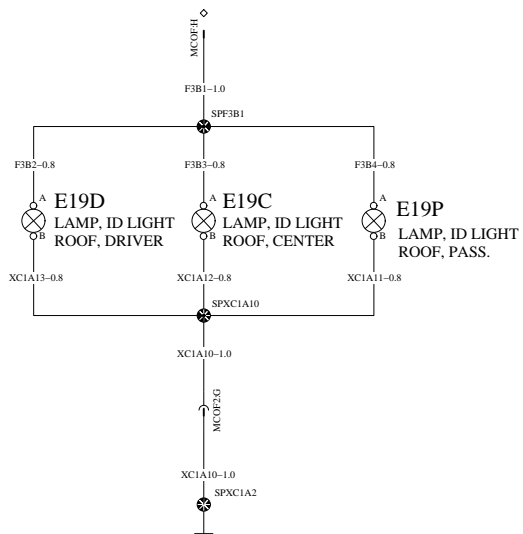
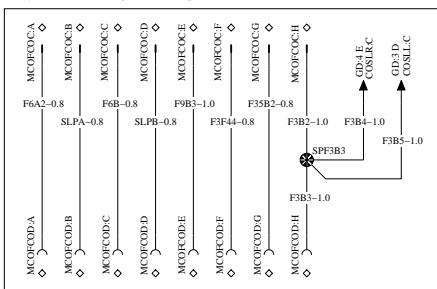
LIGHTING - BEACON LAMPS

WIRING DIAGRAM: GL



BATT _____ BATT
IGN _____ IGN
EMS _____ EMS
ILLUM _____ ILLUM

W/EXTRA LIGHT IN SKIRT

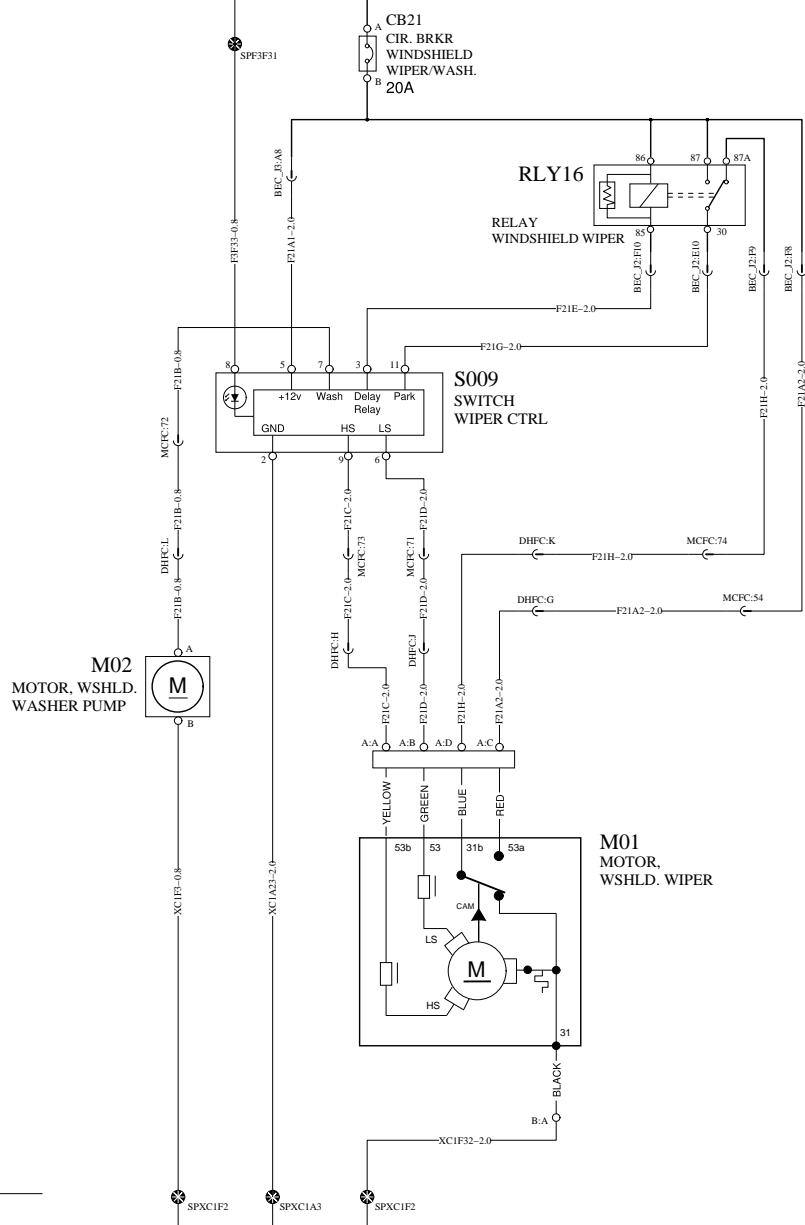


WIPER/WASHER

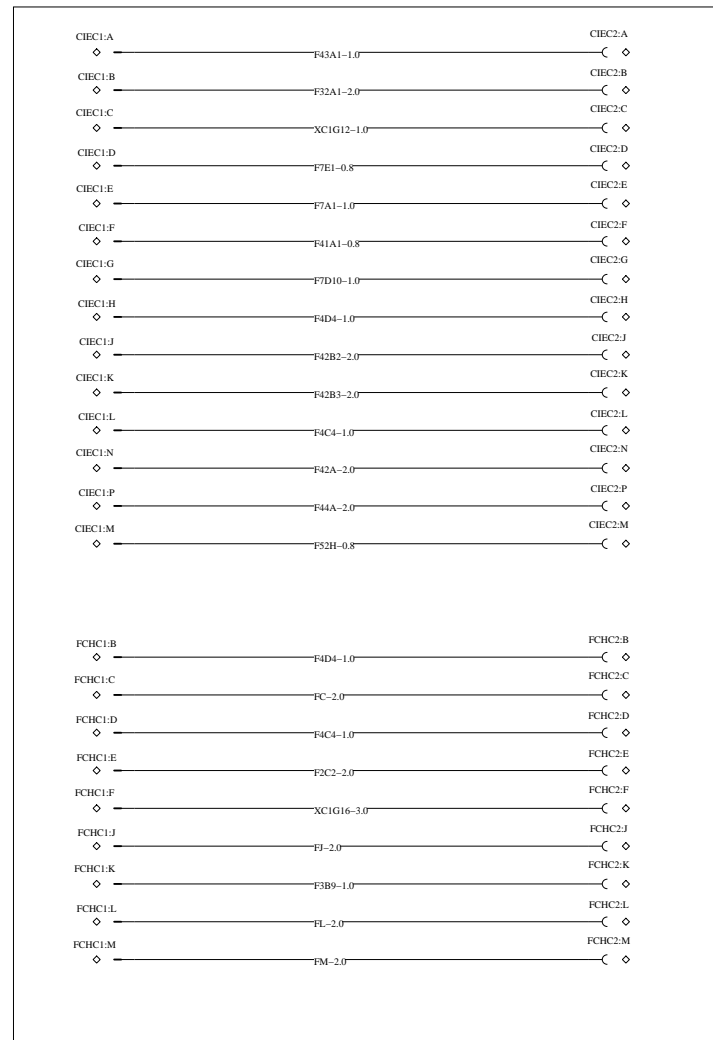
WIRING DIAGRAM: GP

BATT
IGN
EMS
ILLUM

BATT
IGN
EMS
ILLUM



PASSTHROUGH WIRES FOR CHASSIS DRL OVERLAY

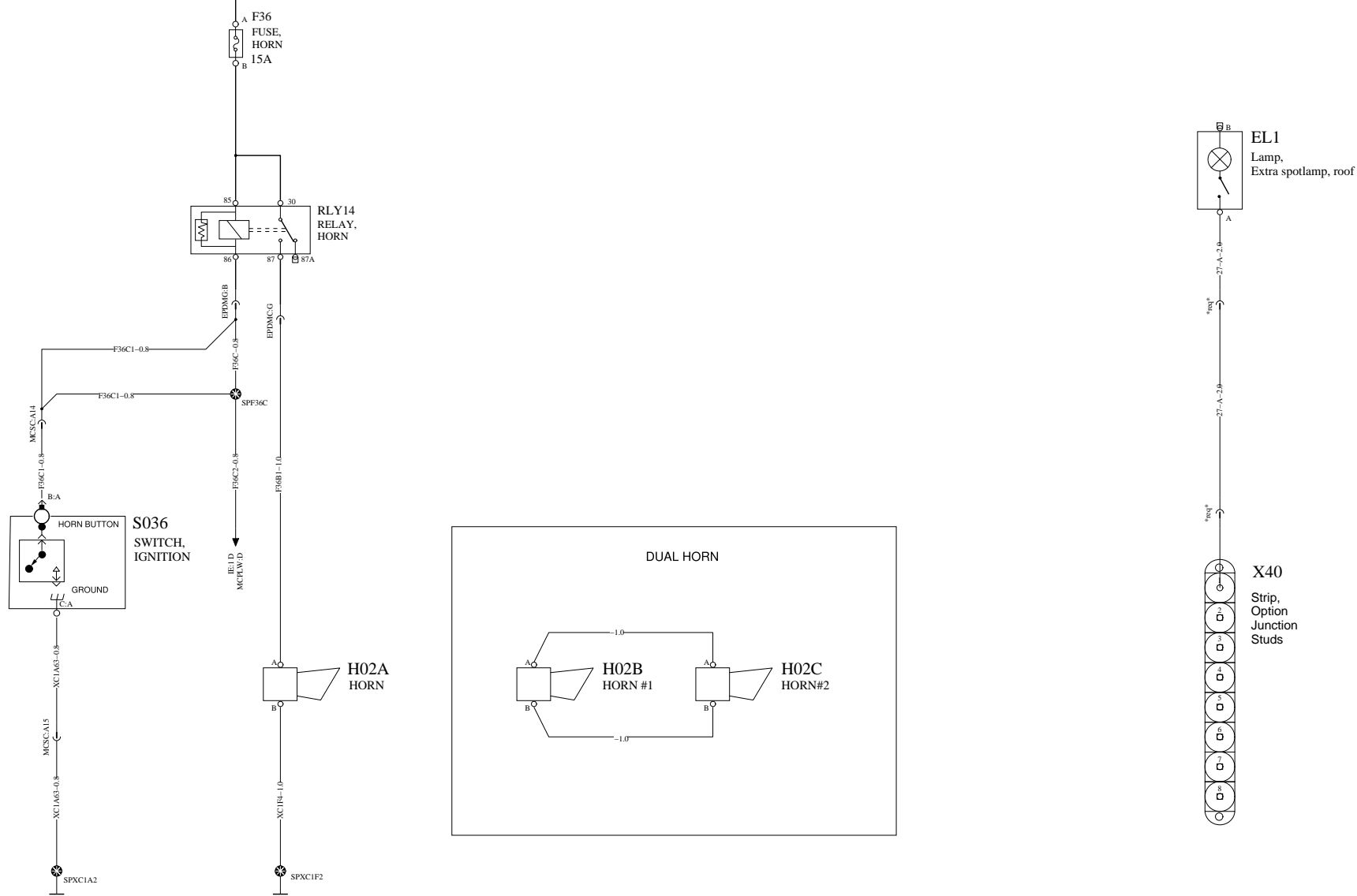


HORN WIRING/ SPOTLIGHT

WIRING DIAGRAM: GQ

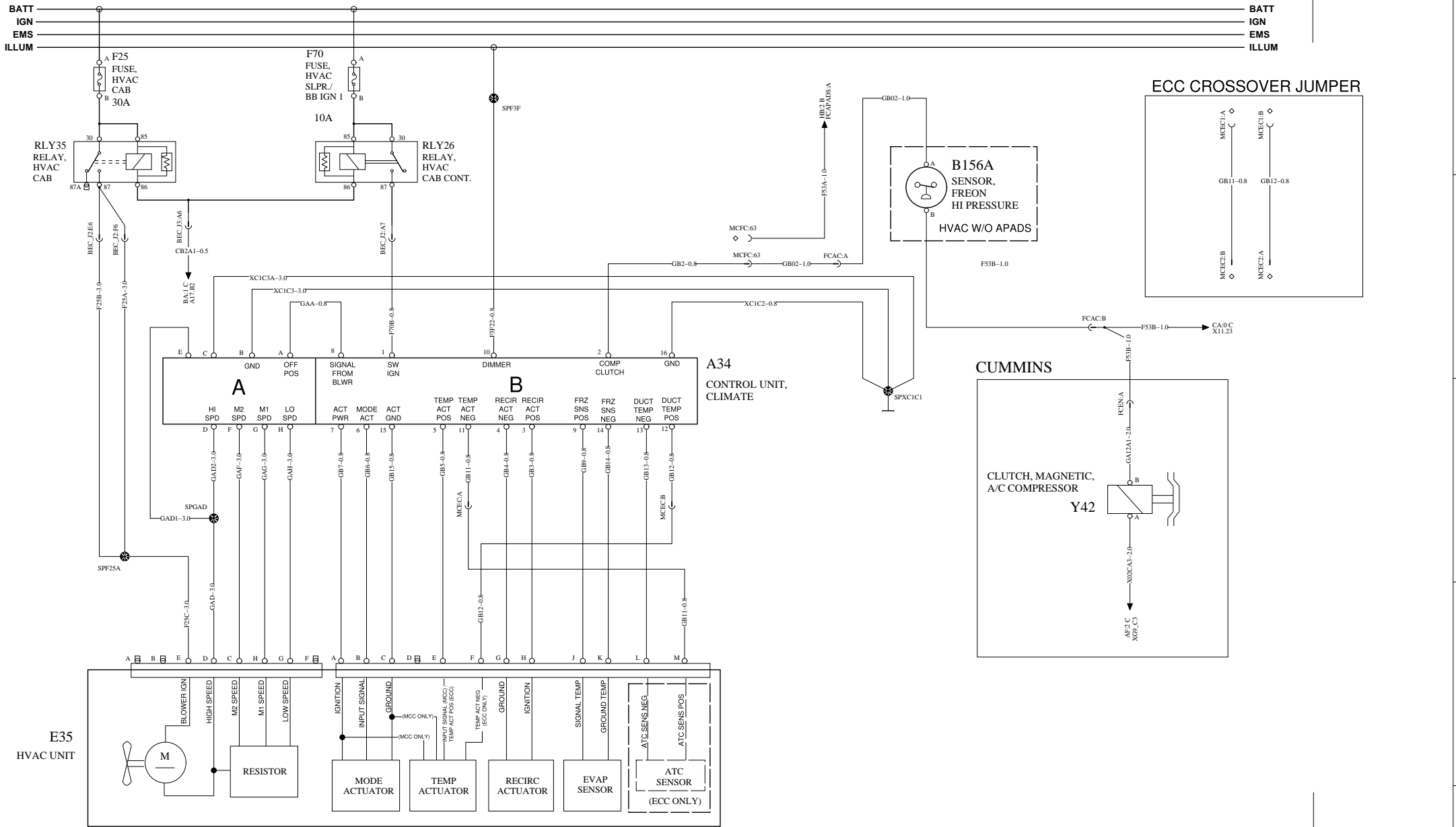
BATT
IGN
EMS
ILLUM

BATT
IGN
EMS
ILLUM



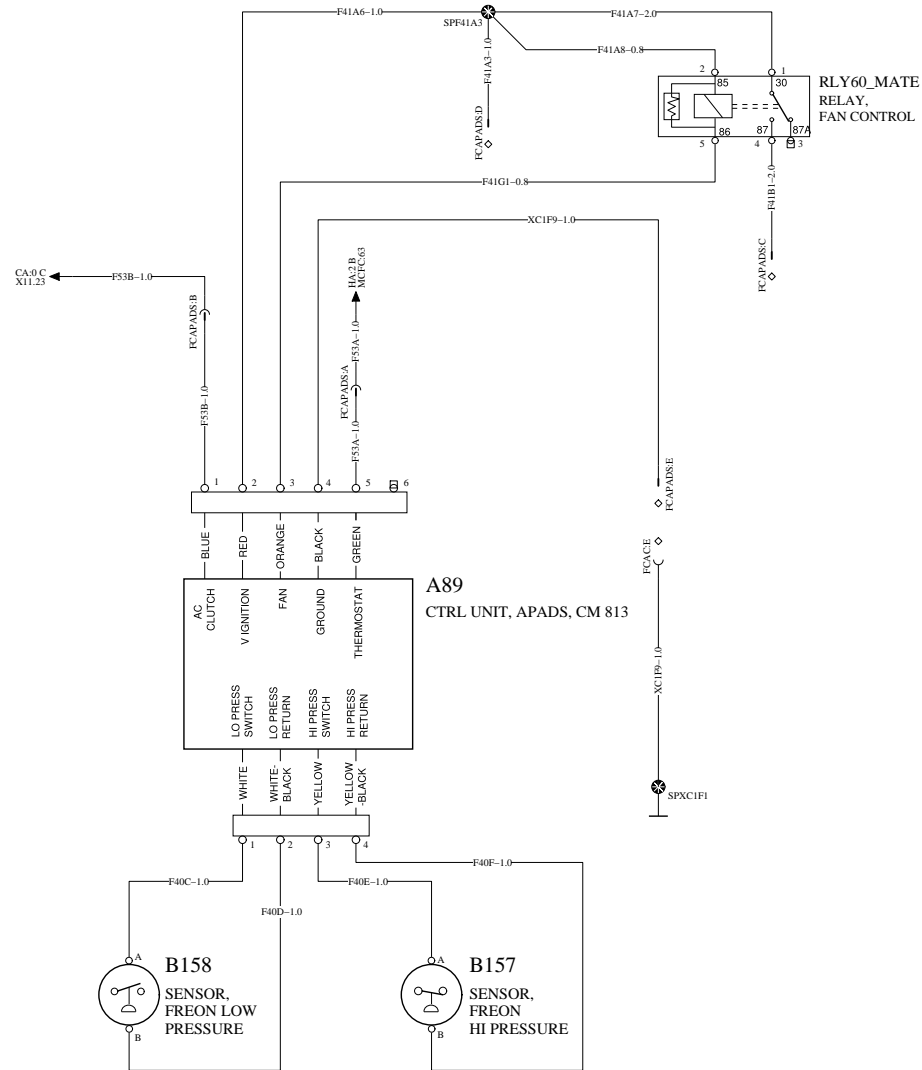
CLIMATE CONTROL

WIRING DIAGRAM: HA



BATT
IGN
EMS
ILLUM

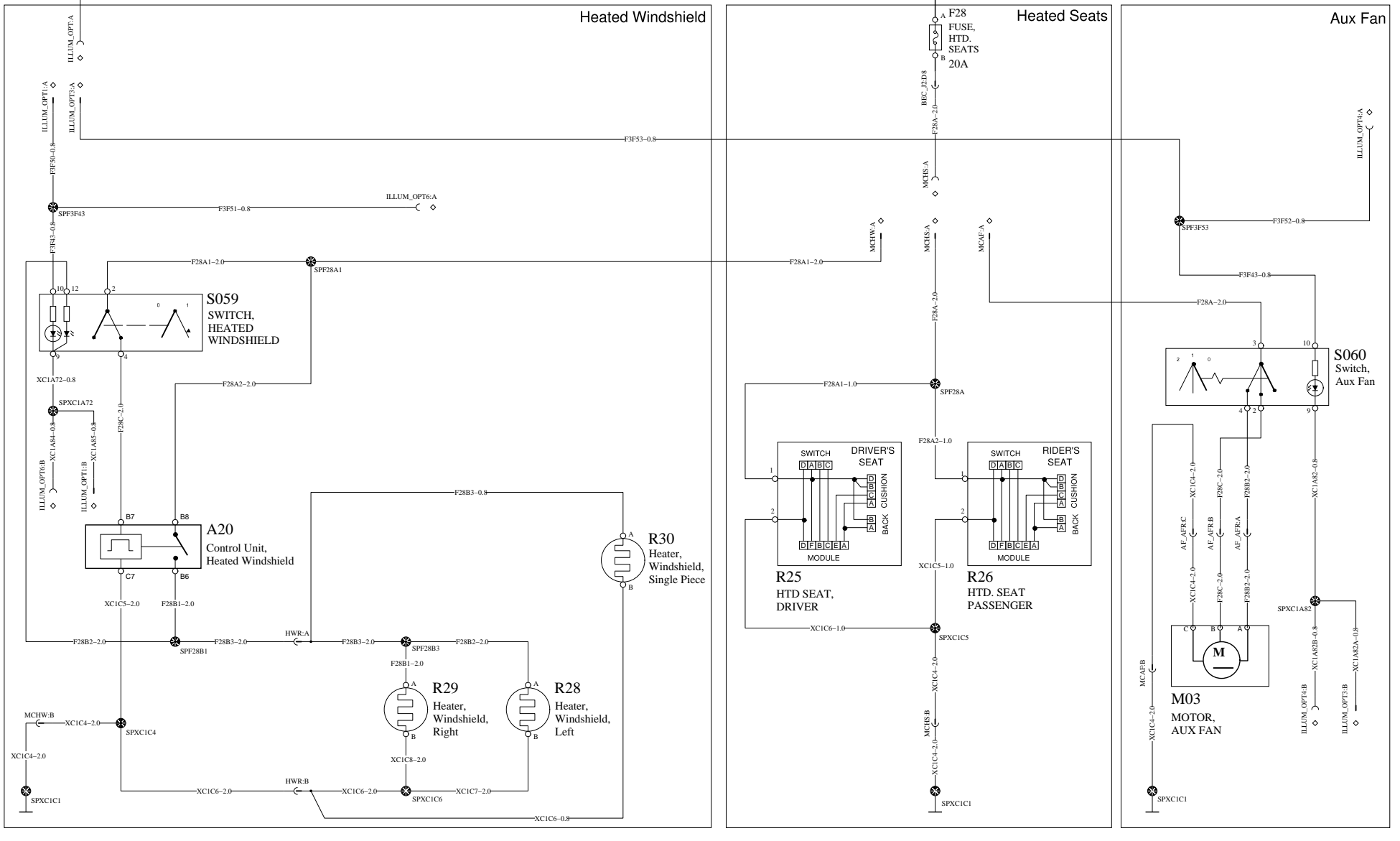
BATT
IGN
EMS
ILLUM



HEATED SEATS, HEATED WINDSHIELD, AUX FAN 1/2

WIRING DIAGRAM: HC

BATT
IGN
EMS
ILLUM



Group Trucks Technology

Document title
WIRING DIAGRAM - PC28 - 12V MACK - 2013BP - ENG-CU12
Document type
PRODUCT SCHEMATIC

Document No

22234428

Issue

02

Volume

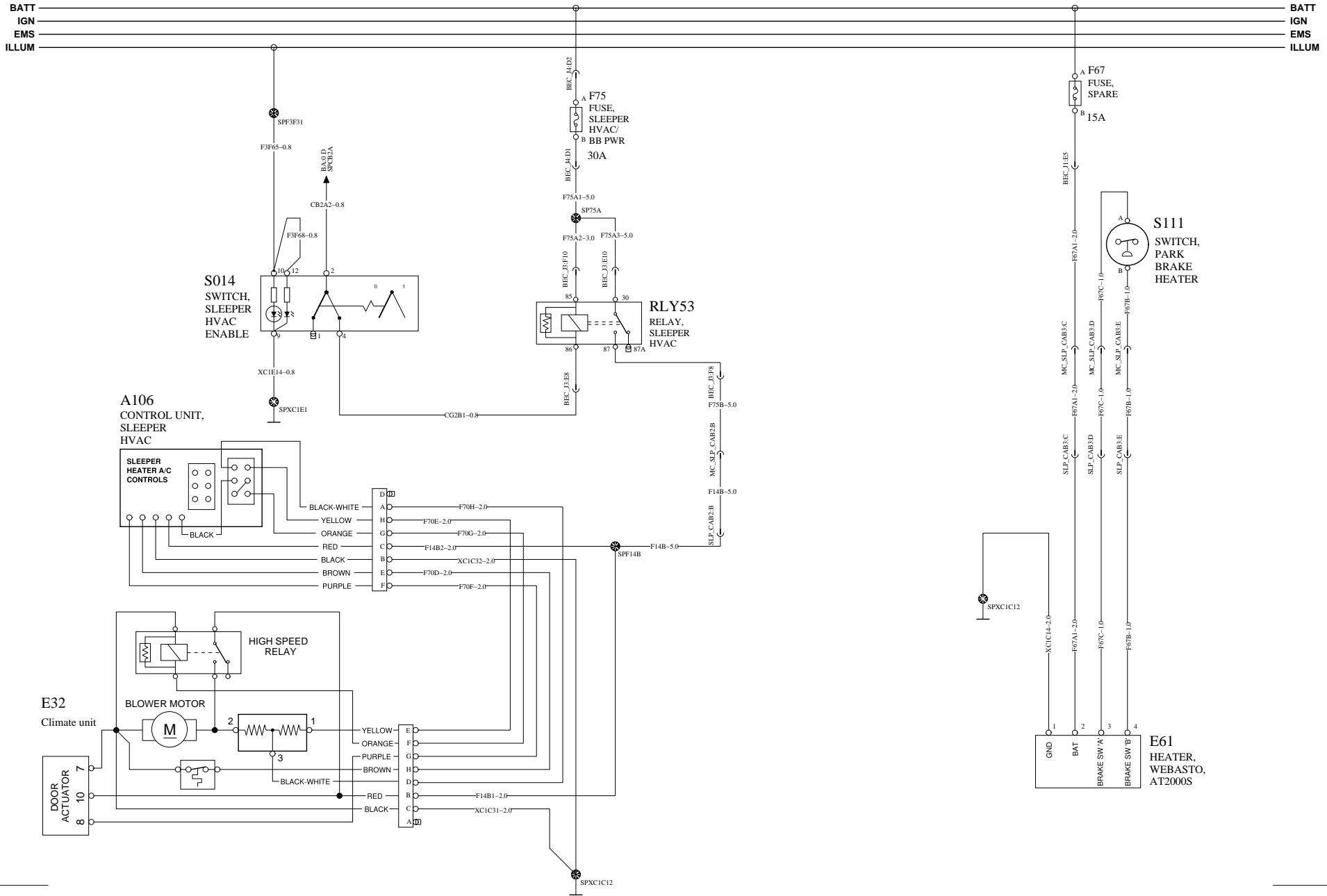
01

Page

63 (83)

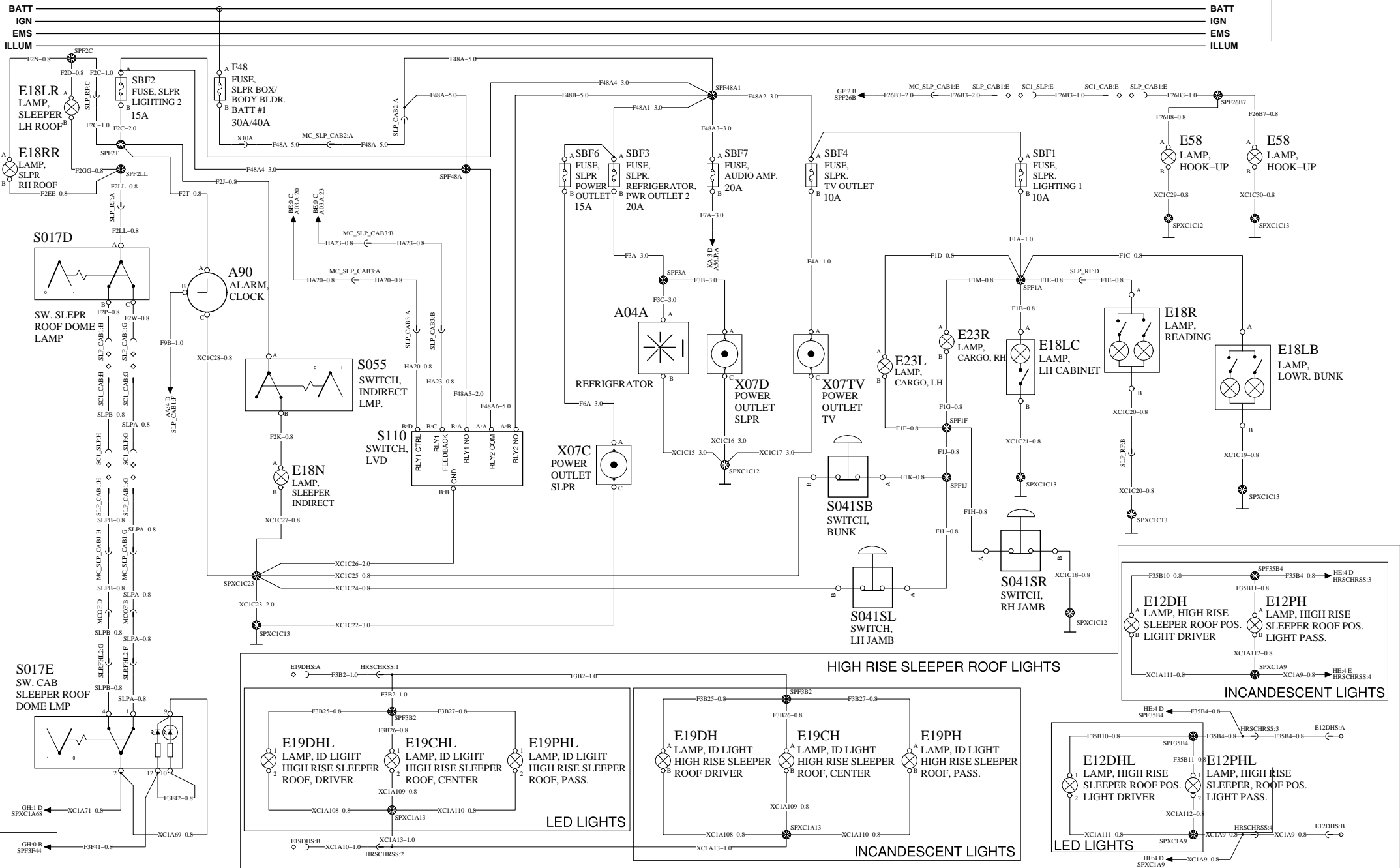
SLEEPER CLIMATE CONTROL

WIRING DIAGRAM: HD



SLEEPER FUNCTIONS

WIRING DIAGRAM: HE



BATT
IGN
EMS
ILLUM

BATT
IGN
EMS
ILLUM



Group Trucks Technology

Document title
WIRING DIAGRAM - PC28 - 12V MACK - 2013BP - ENG-CU12

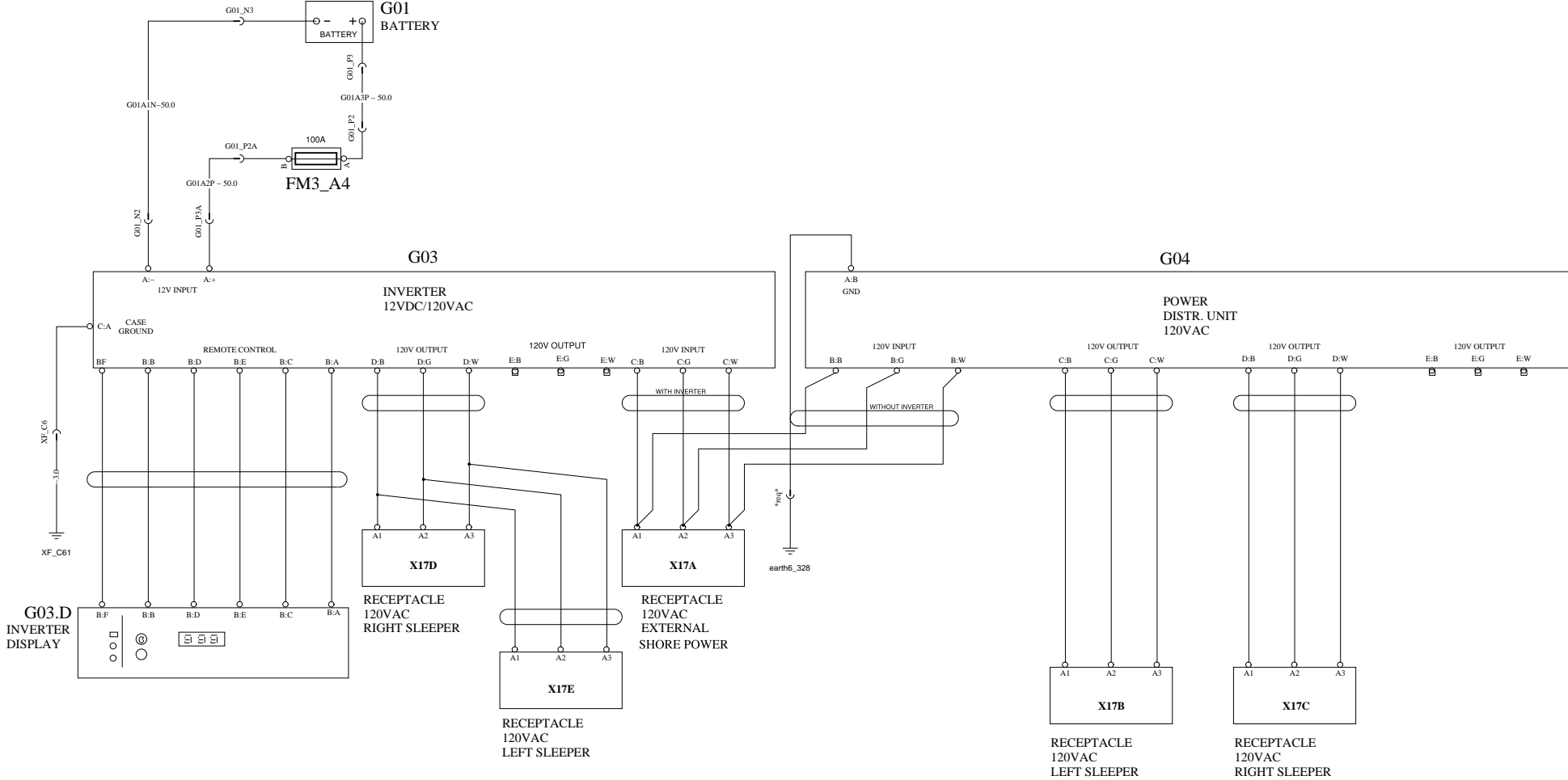
Document type
PRODUCT SCHEMATIC

Document No	Issue	Volume	Page
22234428	02	01	65 (83)

120V AC SYSTEM / INVERTER

WIRING DIAGRAM: HF

BATT _____ BATT
 IGN _____ IGN
 EMS _____ EMS
 ILLUM _____ ILLUM



Group Trucks Technology

Document title
 WIRING DIAGRAM - PC28 - 12V MACK - 2013BP - ENG-CU12
 Document type
 PRODUCT SCHEMATIC

Document No
 22234428

Issue
 02

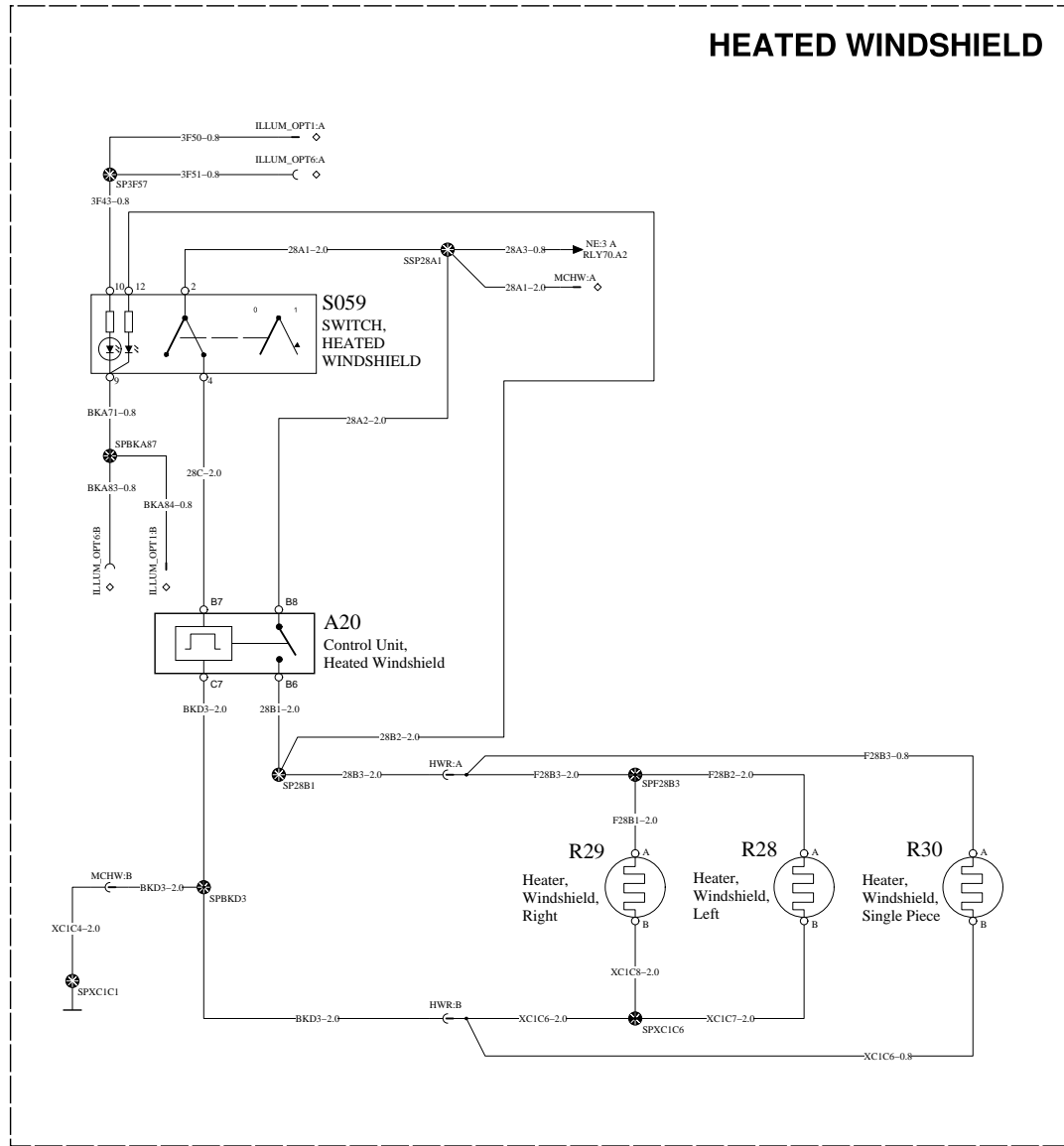
Volume
 01

Page
 66 (83)

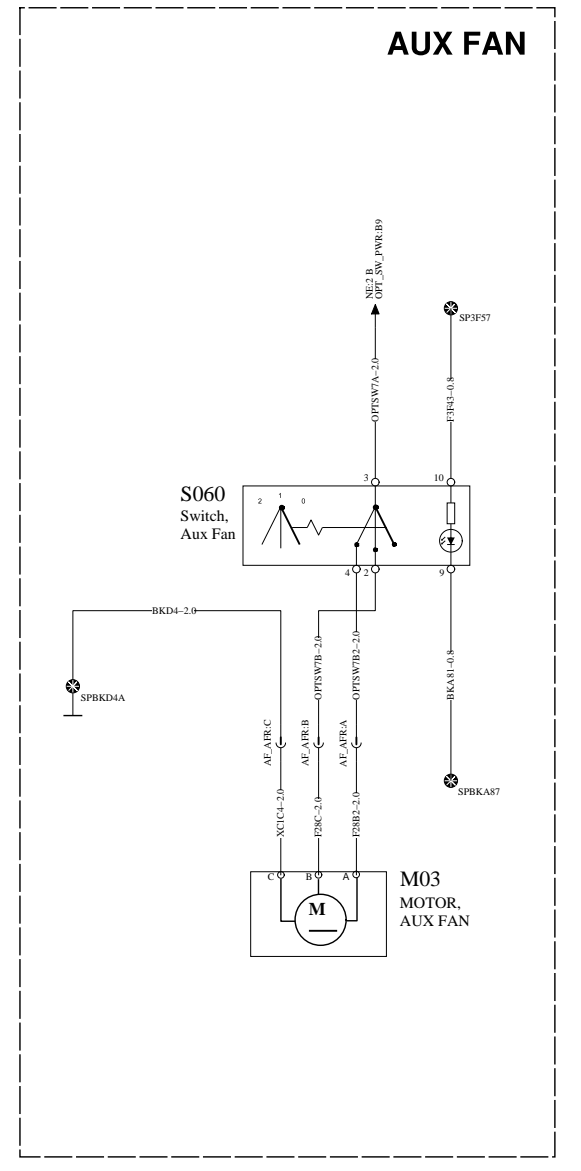
BATT _____
 IGN _____
 EMS _____
 ILLUM _____

BATT _____
 IGN _____
 EMS _____
 ILLUM _____

HEATED WINDSHIELD



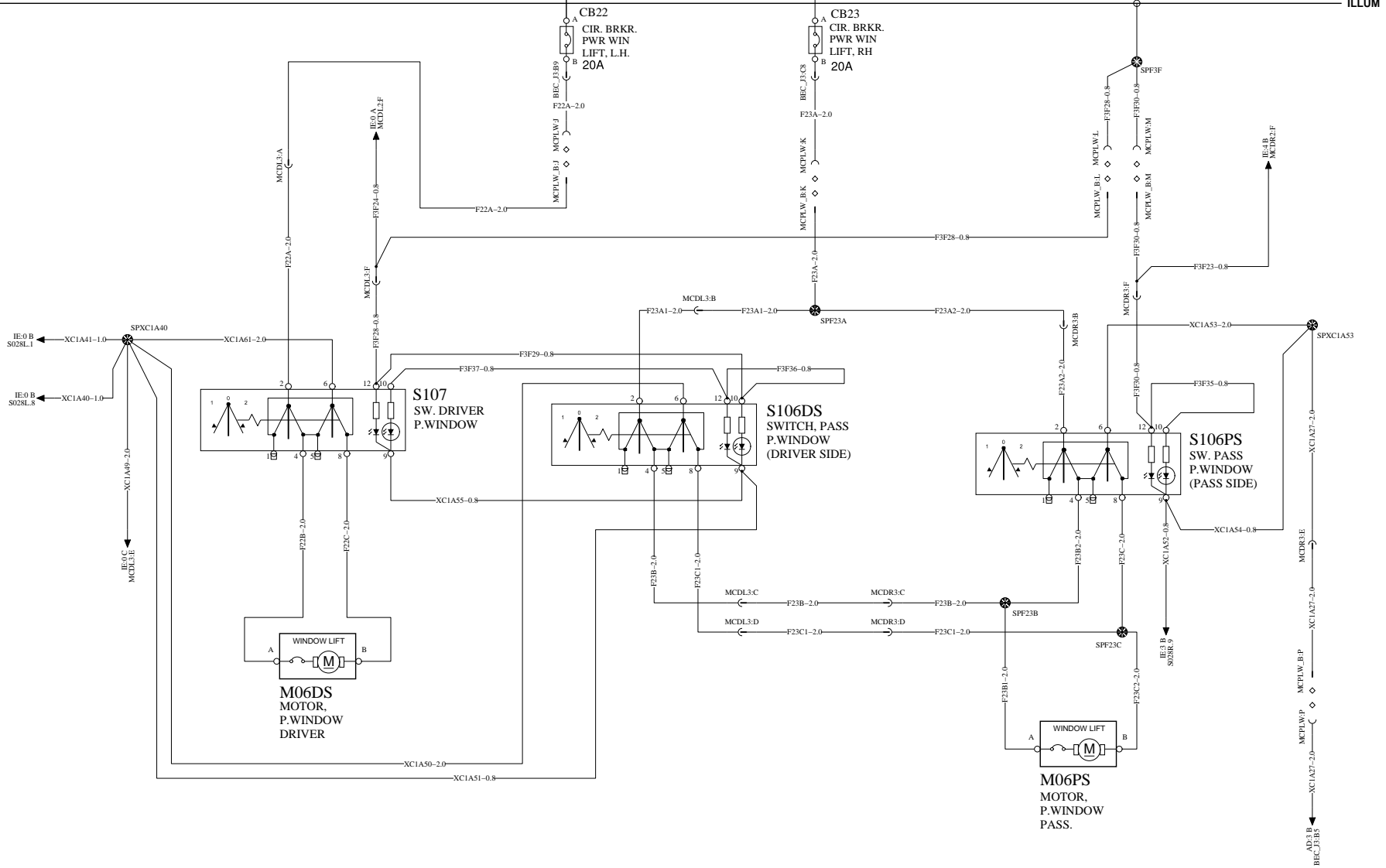
AUX FAN



RH & LH MOTORIZED WINDOWS

WIRING DIAGRAM: IA

BATT
IGN
EMS
ILLUM



Group Trucks Technology

Document title
WIRING DIAGRAM - PC28 - 12V MACK - 2013BP - ENG-CU12
Document type
PRODUCT SCHEMATIC

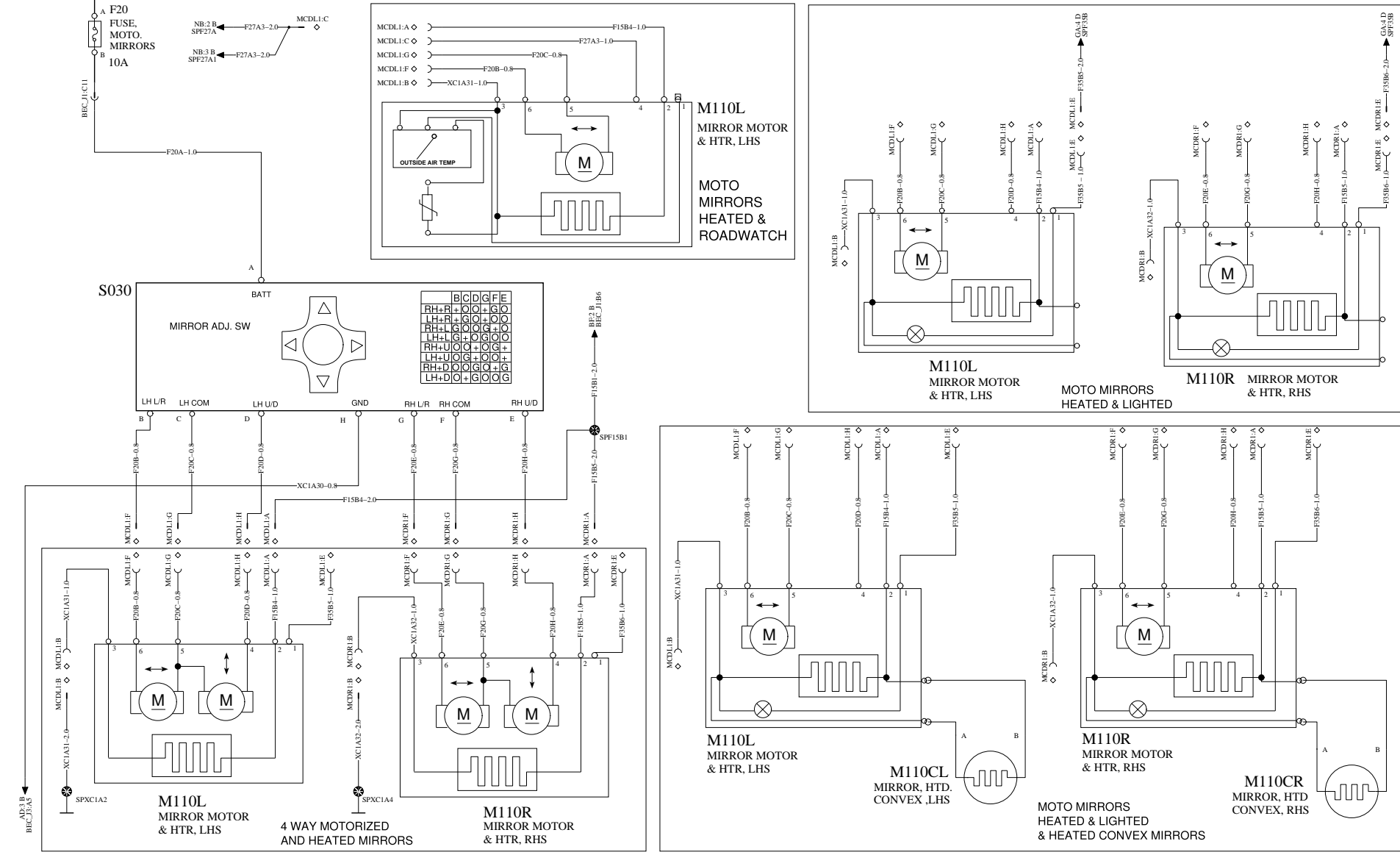
Document No
22234428

Issue	Volume	Page
02	01	68 (83)

MIRROR CONTROL 1/2

WIRING DIAGRAM: IC

BATT
IGN
EMS
ILLUM



Group Trucks Technology

Document title
WIRING DIAGRAM - PC28 - 12V MACK - 2013BP - ENG-CU12
 Document type
PRODUCT SCHEMATIC

Document No

22234428

Issue

02

Volume

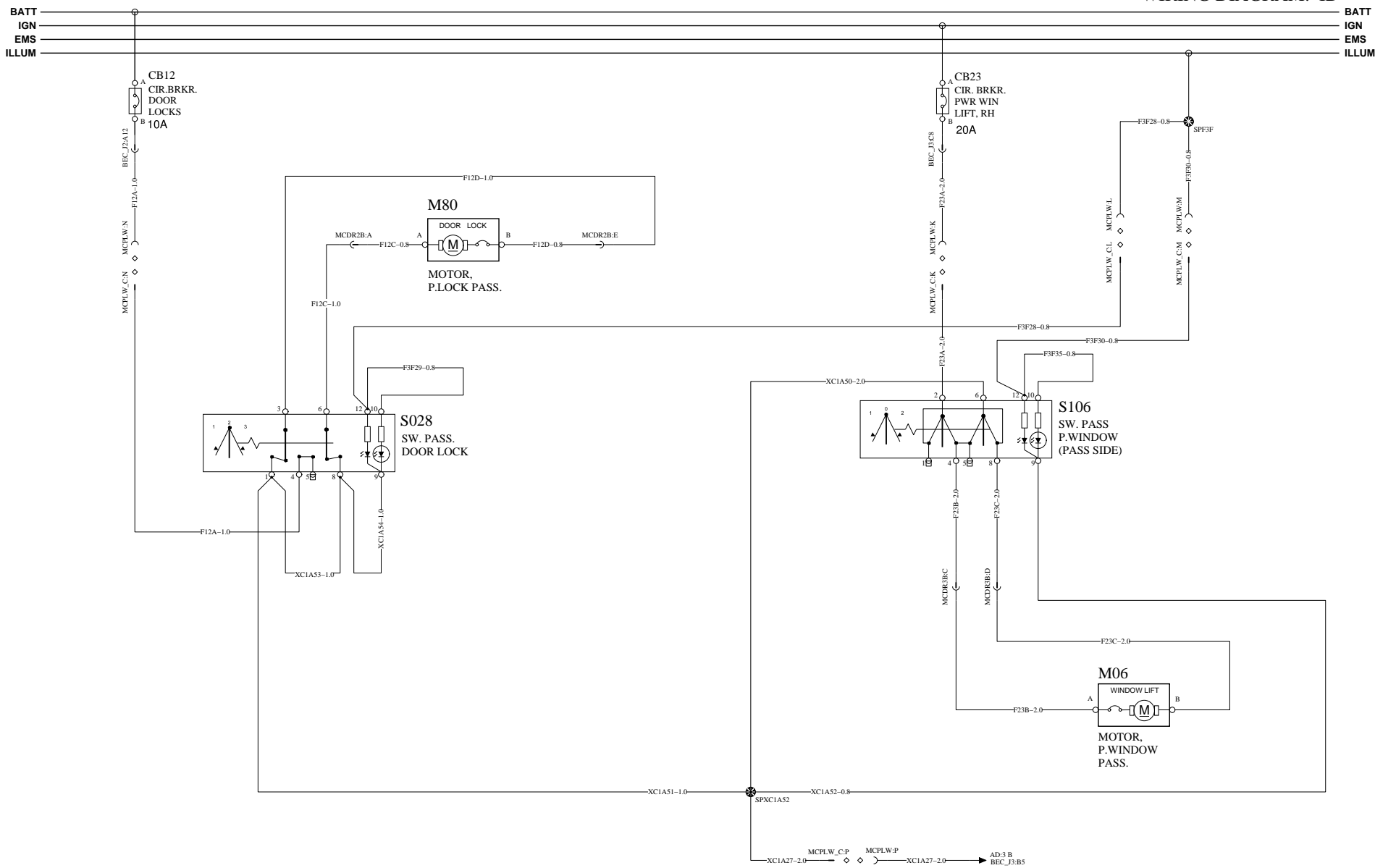
01

Page

69 (83)

RH ONLY MOTORIZED WINDOWS & DOOR CONTROL

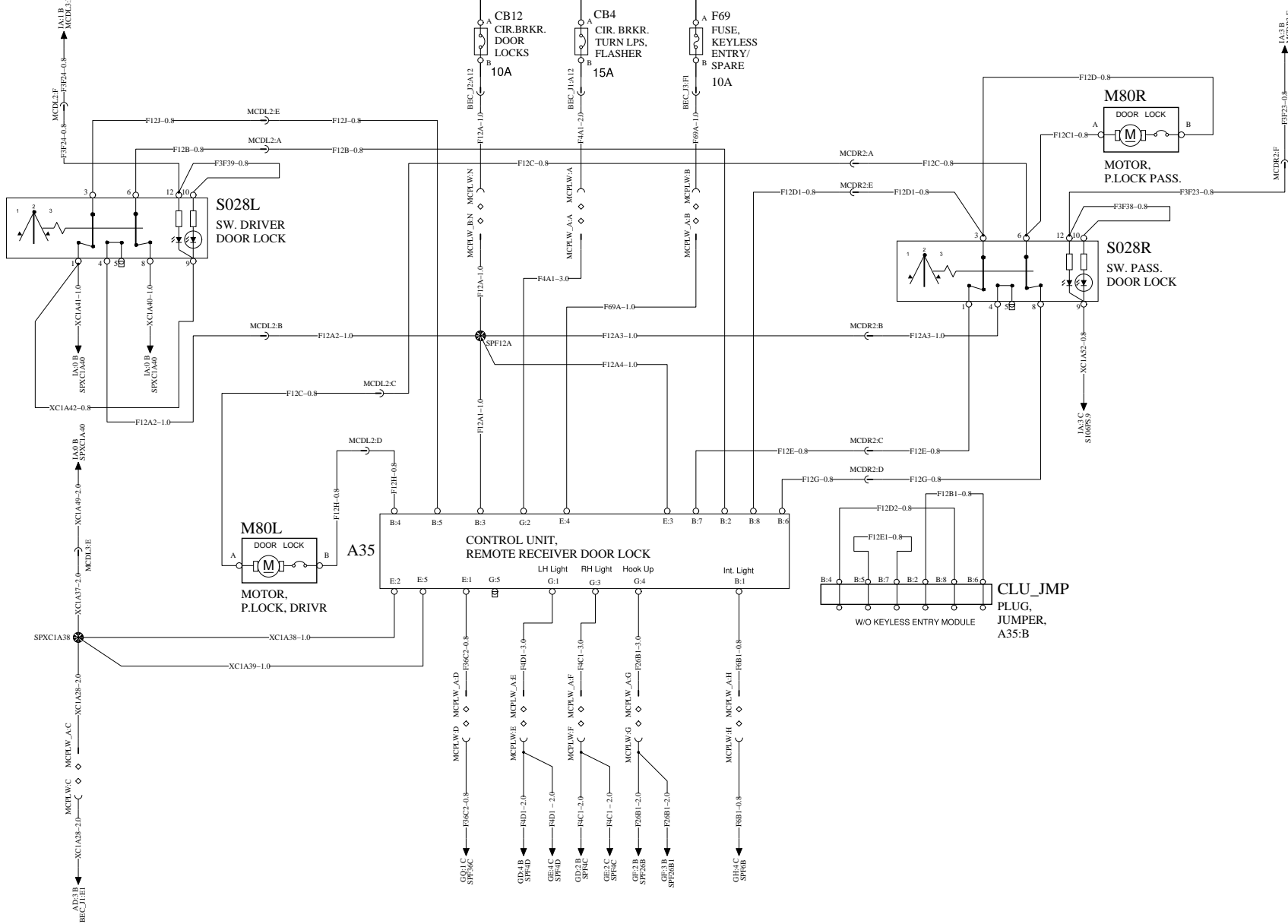
WIRING DIAGRAM: ID



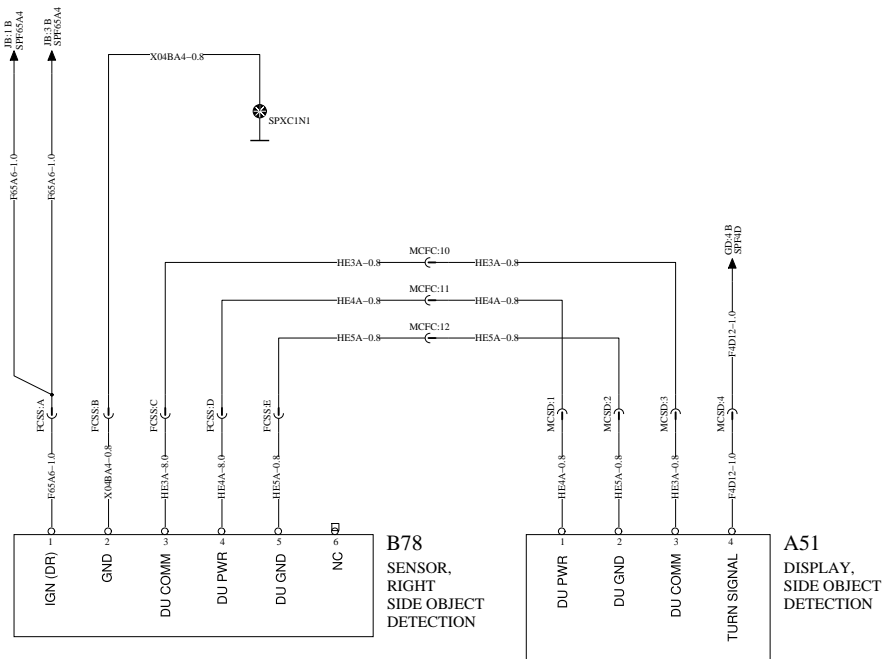
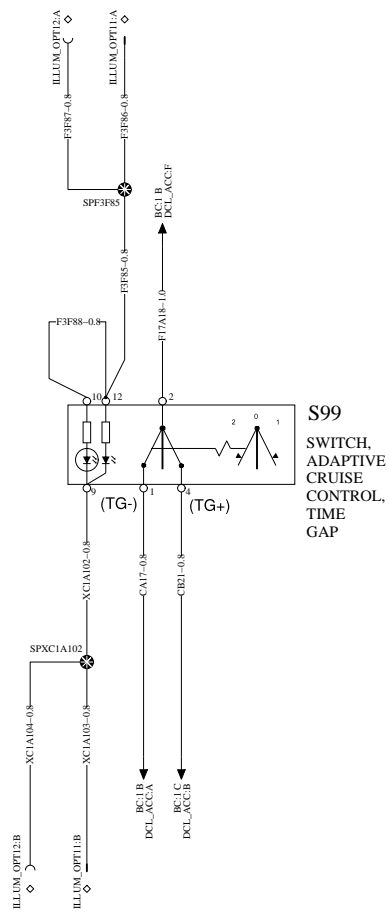
RH & LH DOOR CONTROL

WIRING DIAGRAM: IE

BATT
IGN
EMS
ILLUM



BATT _____ BATT
 IGN _____ IGN
 EMS _____ EMS
 ILLUM _____ ILLUM

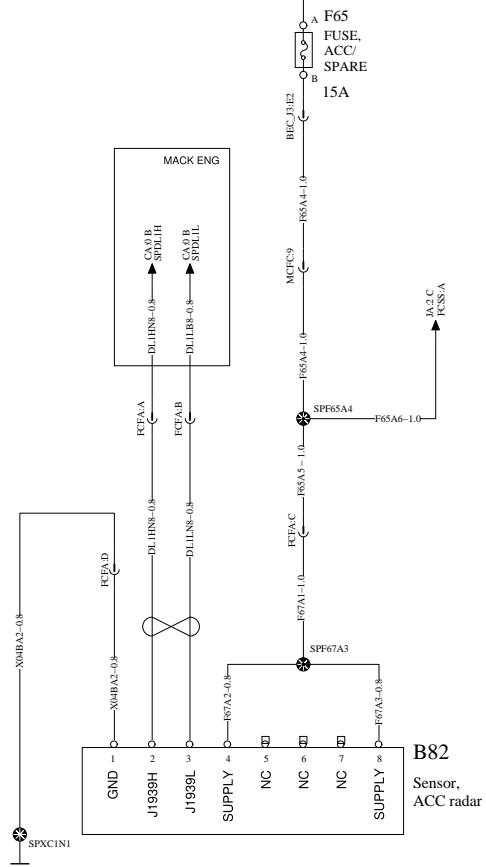


ADAPTIVE CRUISE CONTROL 2/2

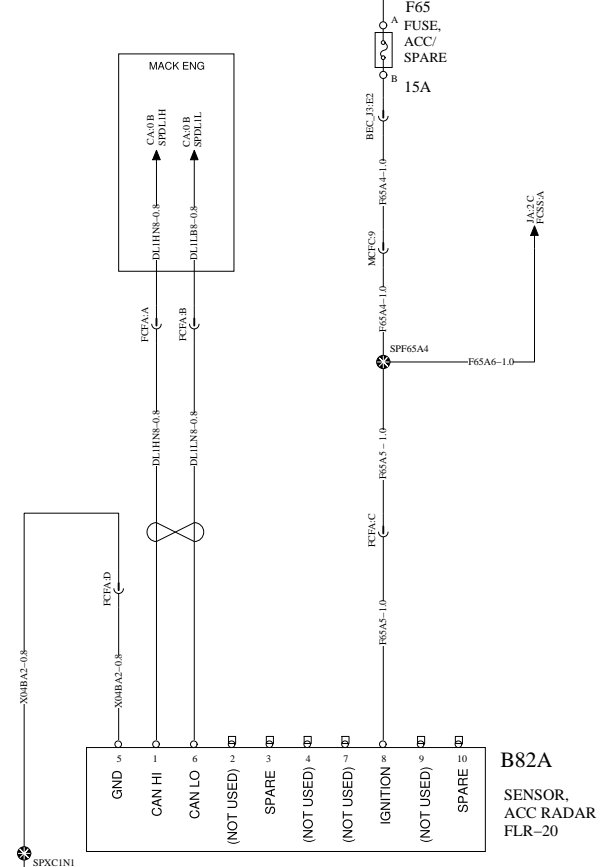
WIRING DIAGRAM: JB

BATT
IGN
EMS
ILLUM

BATT
IGN
EMS
ILLUM



BENDIX FLR-10

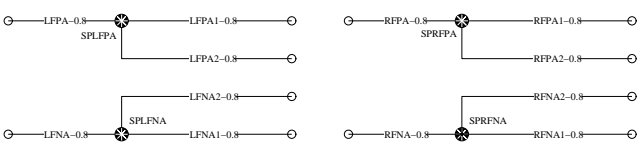
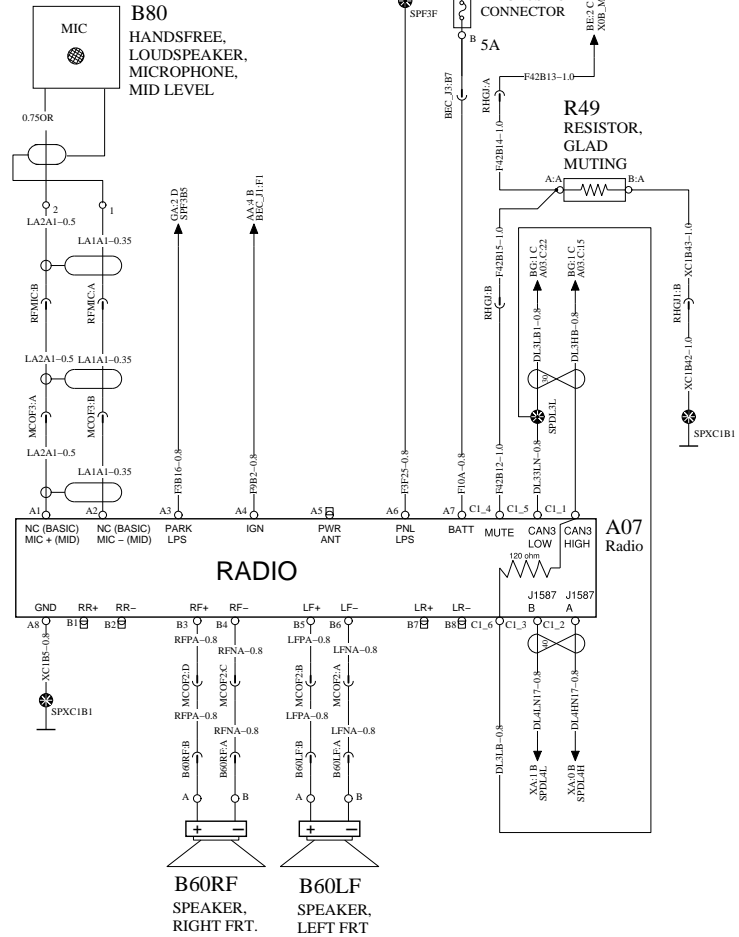


BENDIX FLR-20

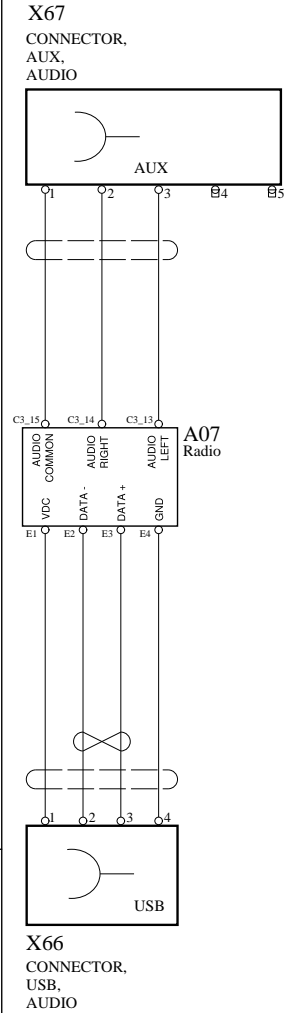
AUDIO SYSTEM

BATT
IGN
EMS
ILLUM

DAYCAB



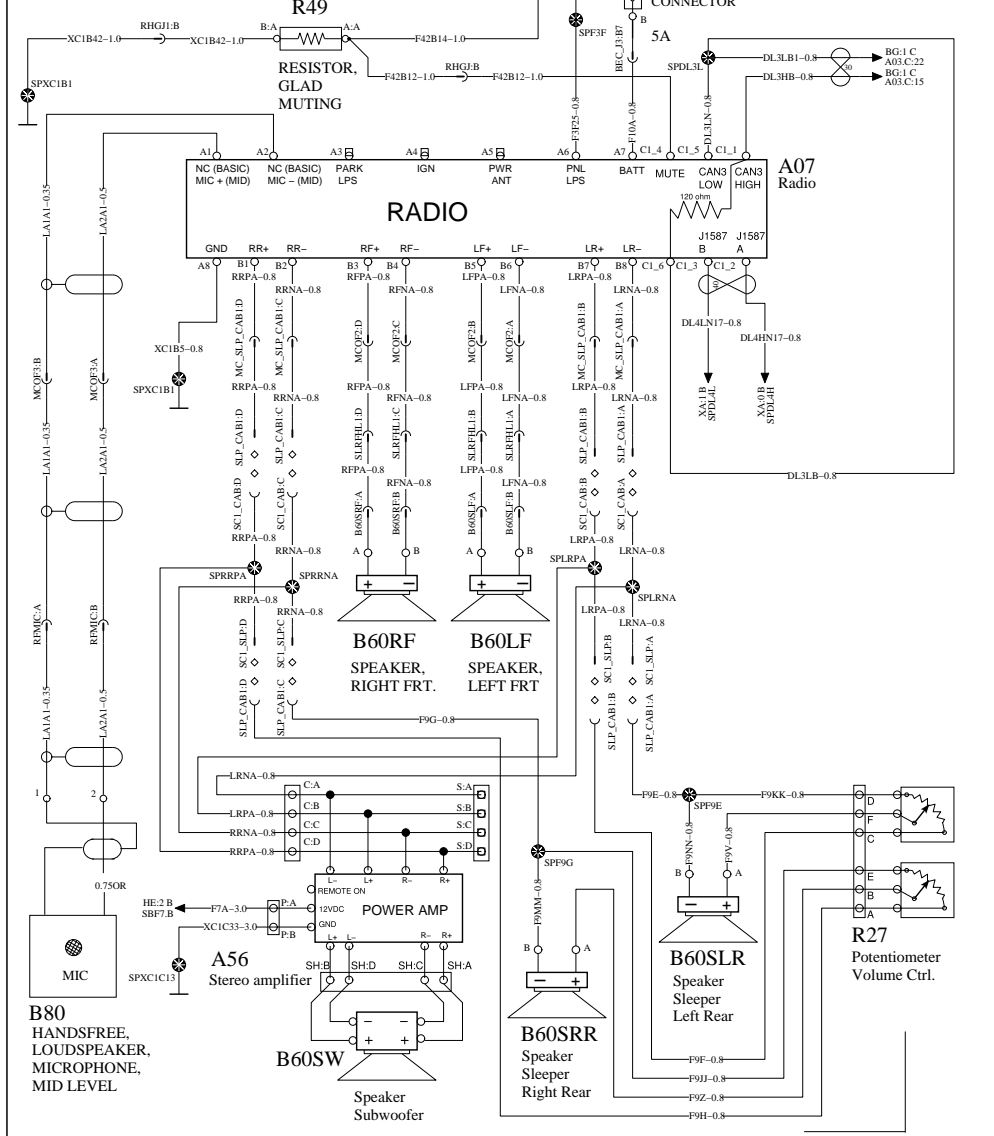
**USB/AUX
RADIO INPUT**



WIRING DIAGRAM: KA

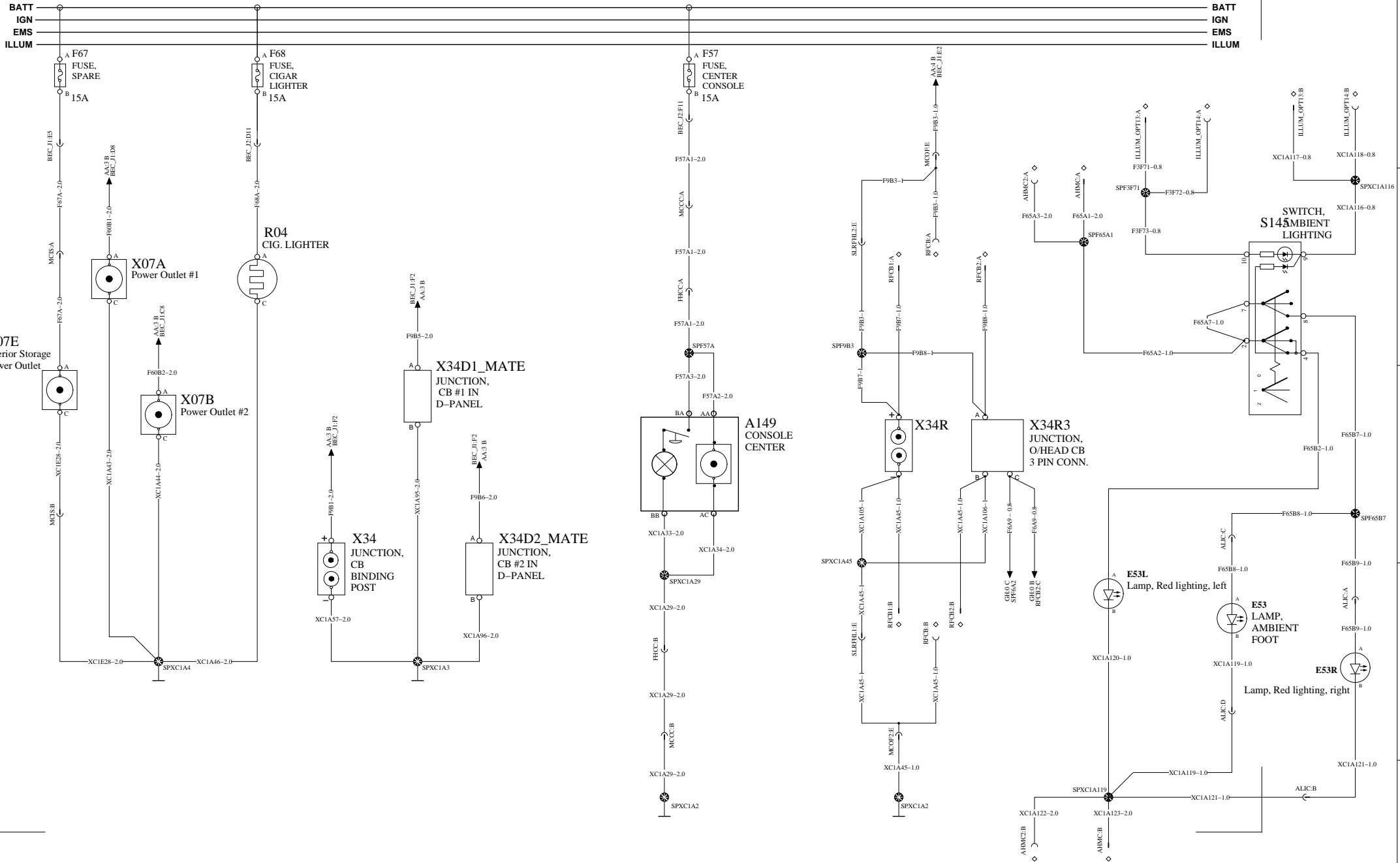
BATT
IGN
EMS
ILLUM

SLEEPER



POWER OUTLET CONNECTIONS – FLOOR LIGHTING

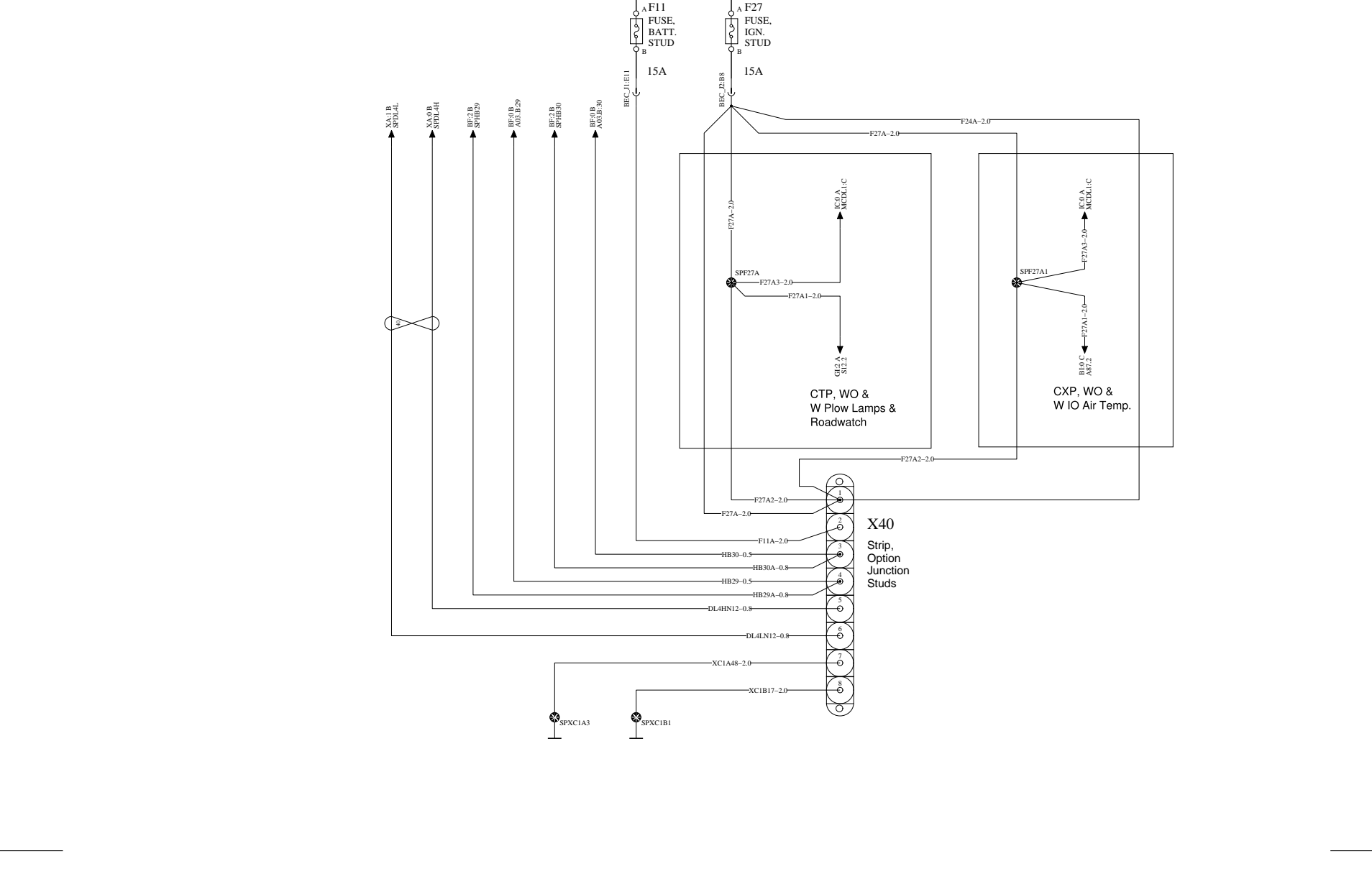
WIRING DIAGRAM: KC



JUNCTION POSTS

WIRING DIAGRAM: NB

BATT
IGN
EMS
ILLUM



Group Trucks Technology

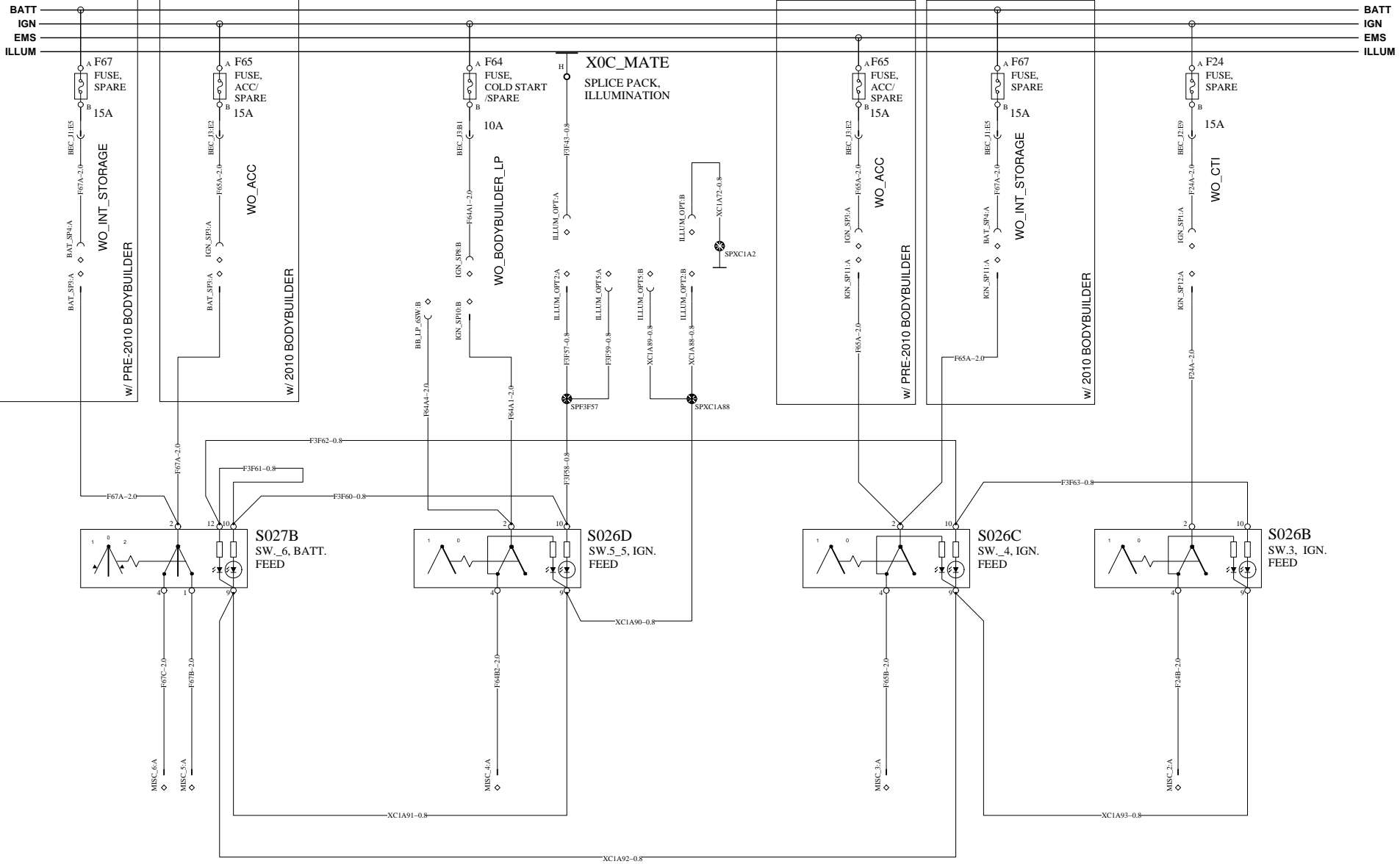
Document title
WIRING DIAGRAM - PC28 - 12V MACK - 2013BP - ENG-CU12
Document type
PRODUCT SCHEMATIC

Document No
22234428

Issue	Volume	Page
02	01	77 (83)

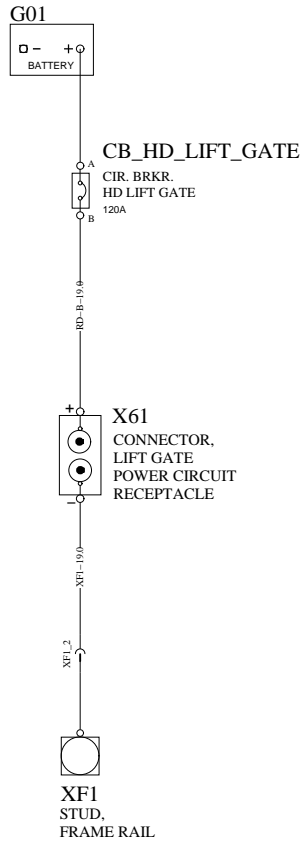
ADDITIONAL IGNITION & BATTERY SWITCHES 1/3

WIRING DIAGRAM: NC



BATT
IGN
EMS
ILLUM

BATT
IGN
EMS
ILLUM

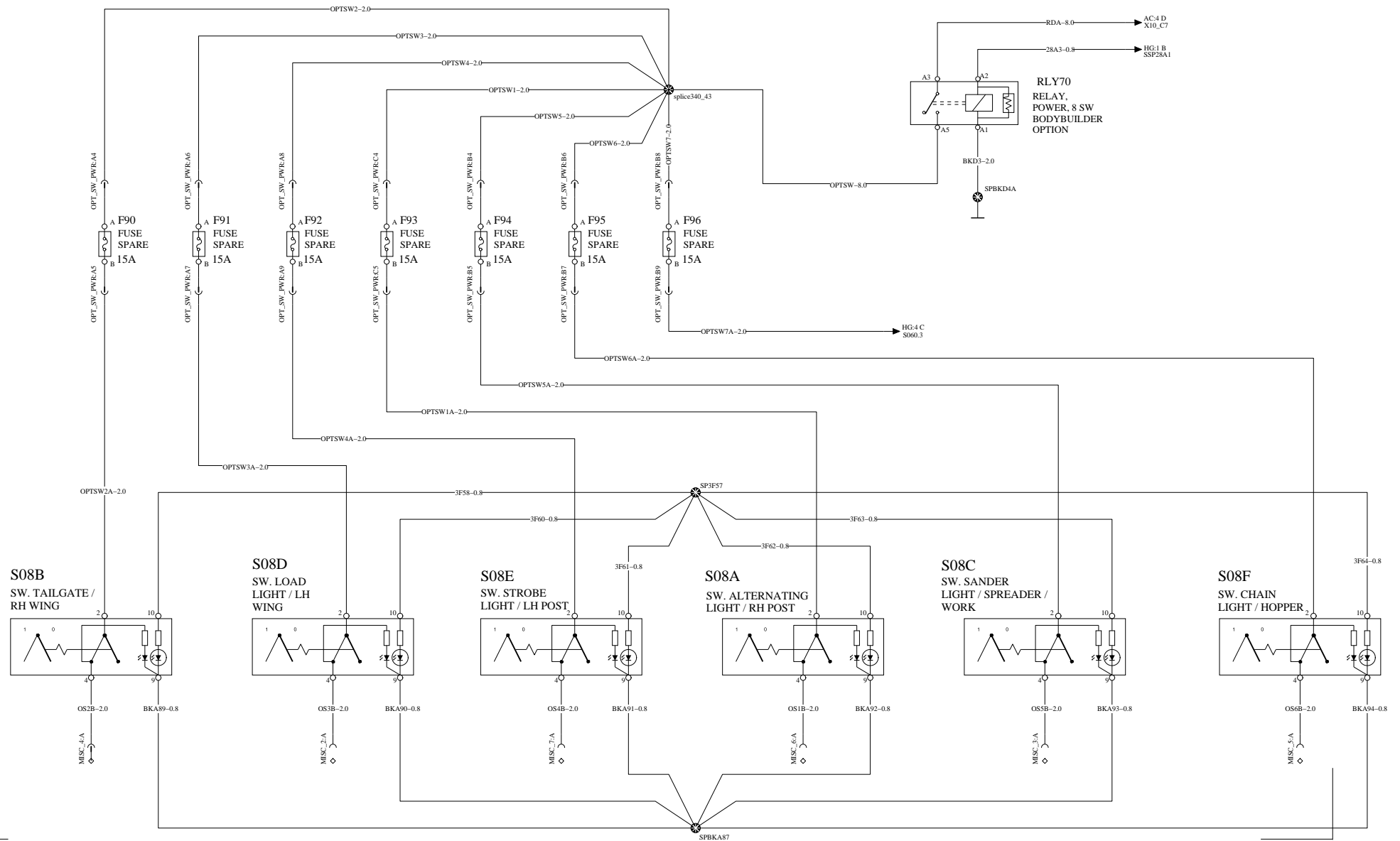


ADDITIONAL IGNITION & BATTERY SWITCHES 2/3

WIRING DIAGRAM: NE

BATT
IGN
EMS
ILLUM

BATT
IGN
EMS
ILLUM

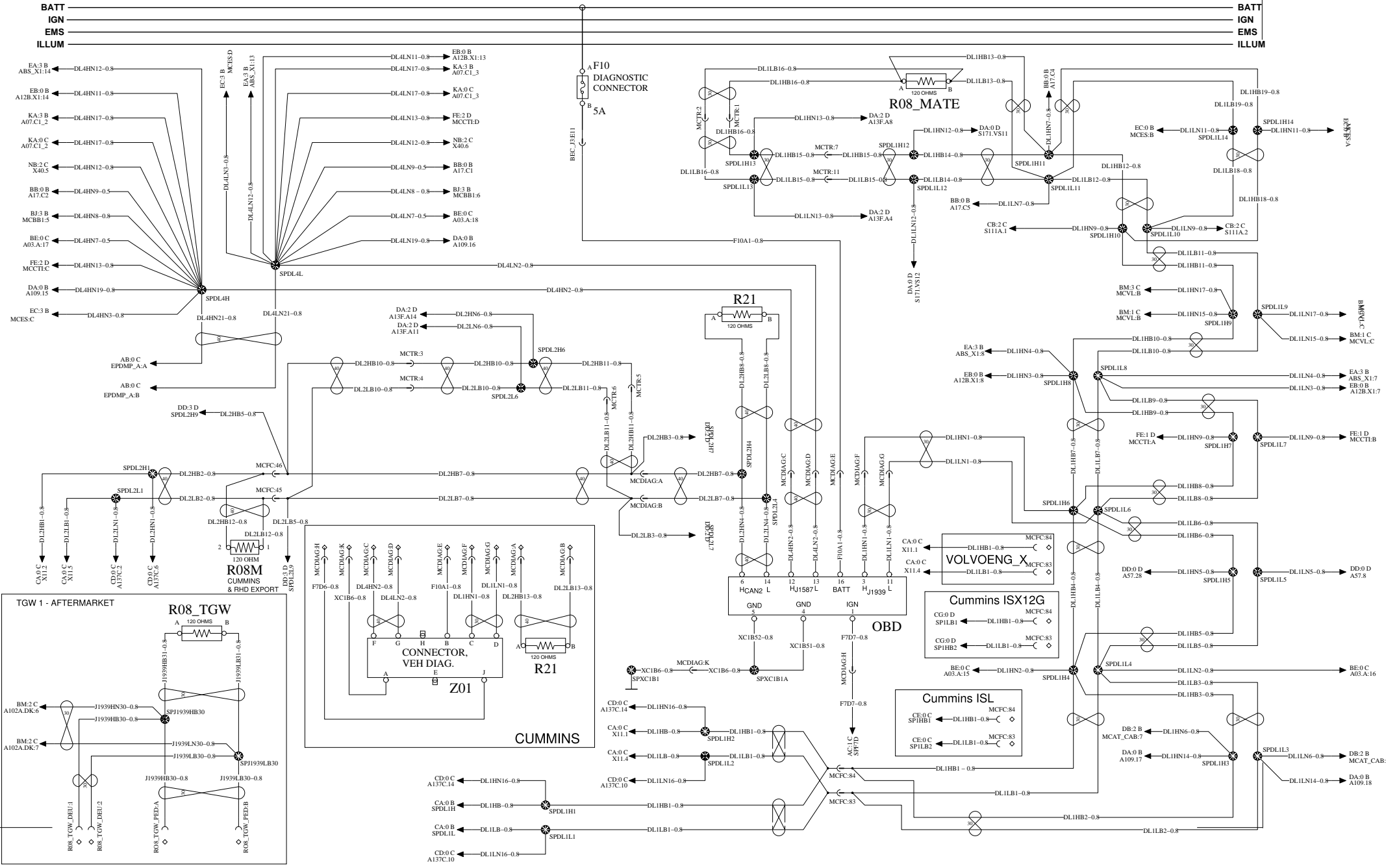


DATA LINK /DIAGNOSTICS

BATT
IGN
EMS
ILLUM

WIRING DIAGRAM: XA

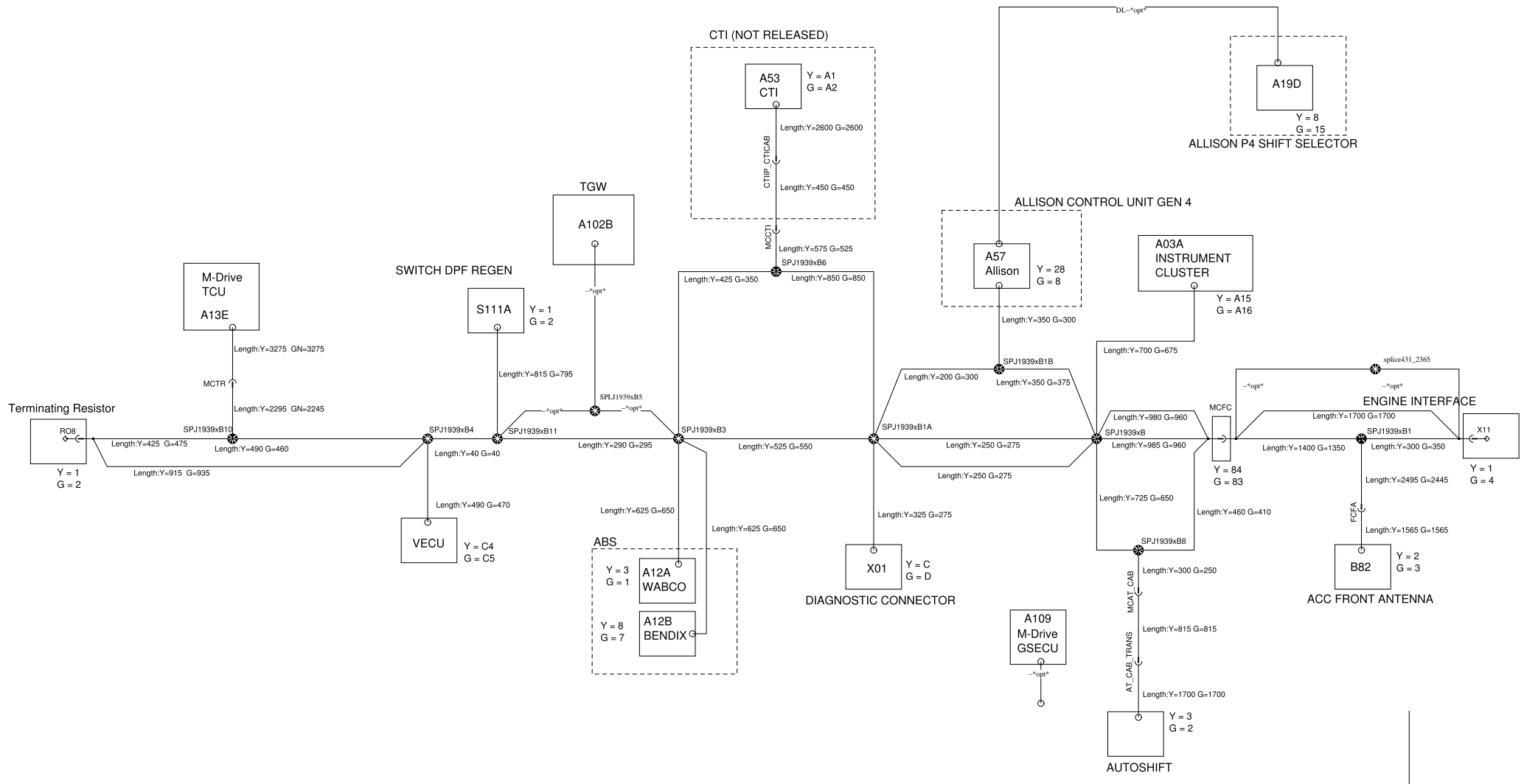
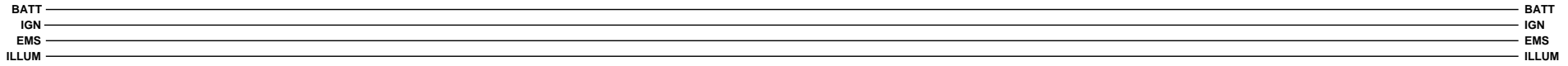
BATT
IGN
EMS
ILLUM



Group Trucks Technology

Document title	WIRING DIAGRAM - PC28 - 12V MACK - 2013BP - ENG-CU12
Document type	PRODUCT SCHEMATIC

Document No	22234428	Issue	02	Volume	01	Page	82 (83)
-------------	----------	-------	----	--------	----	------	---------



Group Trucks Technology

Document title WIRING DIAGRAM - PC28 - 12V MACK - 2013BP - ENG-CU12
Document type PRODUCT SCHEMATIC

Document No 22234428	Issue 02	Volume 01	Page 83 (83)
--------------------------------	--------------------	---------------------	------------------------