

W8468

-UN-01JAN94



*JOHN DEERE 25 COMBINE HEADER TRANSPORT FRAME
(MANUFACTURED 1981-1985)*

(SPECIFICATIONS AND DESIGN SUBJECT TO CHANGE WITHOUT NOTICE)

SERIAL NUMBERS

WHEN WRITING ABOUT OR FILLING OUT WARRANTY CLAIMS, USE ALL NUMBERS, LETTERS AND SPACES SHOWN ON THE SERIAL NUMBER PLATE.

SERIAL NUMBER PLATE

1501

1501 - DESIGNATES TRANSPORT FRAME SERIAL NUMBER

THE TRANSPORT FRAME SERIAL NUMBER PLATE IS LOCATED ON THE FRONT CROSS BEAM OF FRAME.

SERIAL NUMBER LISTING INFORMATION

SERIAL NUMBER INFORMATION IS LISTED TO SHOW ON WHICH MACHINES EACH PART CAN BE USED; FOR EXAMPLE:

- THE PART CAN BE USED ON ALL MACHINES.
- 000000- THE PART CAN BE USED ON ALL MACHINES BEGINNING WITH THE SERIAL NUMBER LISTED.
- 000000 THE PART CAN BE USED ON ALL MACHINES UP TO AND INCLUDING THE SERIAL NUMBER LISTED.
- 000000-000000 THE PART CAN BE USED ON ALL MACHINES BETWEEN AND INCLUDING THE SERIAL NUMBERS LISTED.

WHEN XXXXXX'S ARE LISTED IN PLACE OF A SERIAL NUMBER, A SERIAL NUMBER CHANGE WAS MADE BUT THE EXACT SERIAL NUMBER WAS NOT AVAILABLE WHEN THE CATALOG WAS PRODUCED.

IMPORTANT

THIS PARTS CATALOG CONTAINS COMPLETE PARTS INFORMATION ON THE 25 COMBINE HEADER TRANSPORT FRAME. VINTAGE IS DETERMINED BY SERIAL NUMBERS UNDER WHICH FRAMES WERE MANUFACTURED. IT IS IMPORTANT THAT THE CORRECT SERIAL NUMBER BE USED WHEN ORDERING PARTS.

DIRECTION ARROW

ARROWS ARE USED WITH ILLUSTRATIONS TO INDICATE THE FRONT OF THE UNIT. "RIGHT-HAND" AND "LEFT-HAND" SIDES ARE DETERMINED BY FACING IN THE DIRECTION OF MACHINE FORWARD TRAVEL.

BOX-ENCLOSED ILLUSTRATIONS

A KEY NUMBER, SHOWN IN THE PARTS LIST, IS ASSIGNED TO A BOX ENCLOSING ALL PARTS SOLD AS A SERVICE ASSEMBLY. A BOX NOT KEYED INCLUDES NON-CURRENT PARTS.

KITS

KIT INFORMATION WILL BE FOUND IMMEDIATELY FOLLOWING THE STORY IN WHICH IT IS USED. THE ILLUSTRATION IS REPEATED WITH ONLY THE KIT PARTS CALLED OUT AND WITH ALL OTHER PARTS SHOWN IN PHANTOM FOR RELATIONSHIP.

BOLT AND CAP SCREW STRENGTH IDENTIFICATION

BOLTS AND CAP SCREWS REQUIRED TO HAVE HIGH-STRENGTH QUALITIES EQUIVALENT TO SAE GRADE 8 ARE IDENTIFIED THROUGHOUT THIS CATALOG BY THE DESCRIPTION HS SAE 8. ALL STANDARD BOLTS AND CAP SCREWS ARE SAE GRADE 5 OR LOWER.

COMPLETE GOODS LISTINGS

COMPLETE GOODS ARE LISTED IN BOLD FACE TYPE. ORDER SEPARATELY. DO NOT INCLUDE ON REPLACEMENT PARTS ORDER.

SI UNITS OF MEASURE

METRIC DIMENSIONS ARE GIVEN, WHERE APPLICABLE, THROUGHOUT THIS PARTS CATALOG.

CHANGE INDICATOR LINE

CHANGES AFFECTING THE ORDERING OF PARTS ARE IDENTIFIED BY VERTICAL LINES MARKED IN THE LEFT-HAND MARGIN OF REVISED PARTS LISTING IMAGES. A LINE IS ALSO AT THE LEFT-HAND EDGE OF THE SAME PART NUMBER IN THE NUMERICAL INDEX TO SHOW THE LOCATION OF REVISED INFORMATION.

ALPHABETICAL INDEX

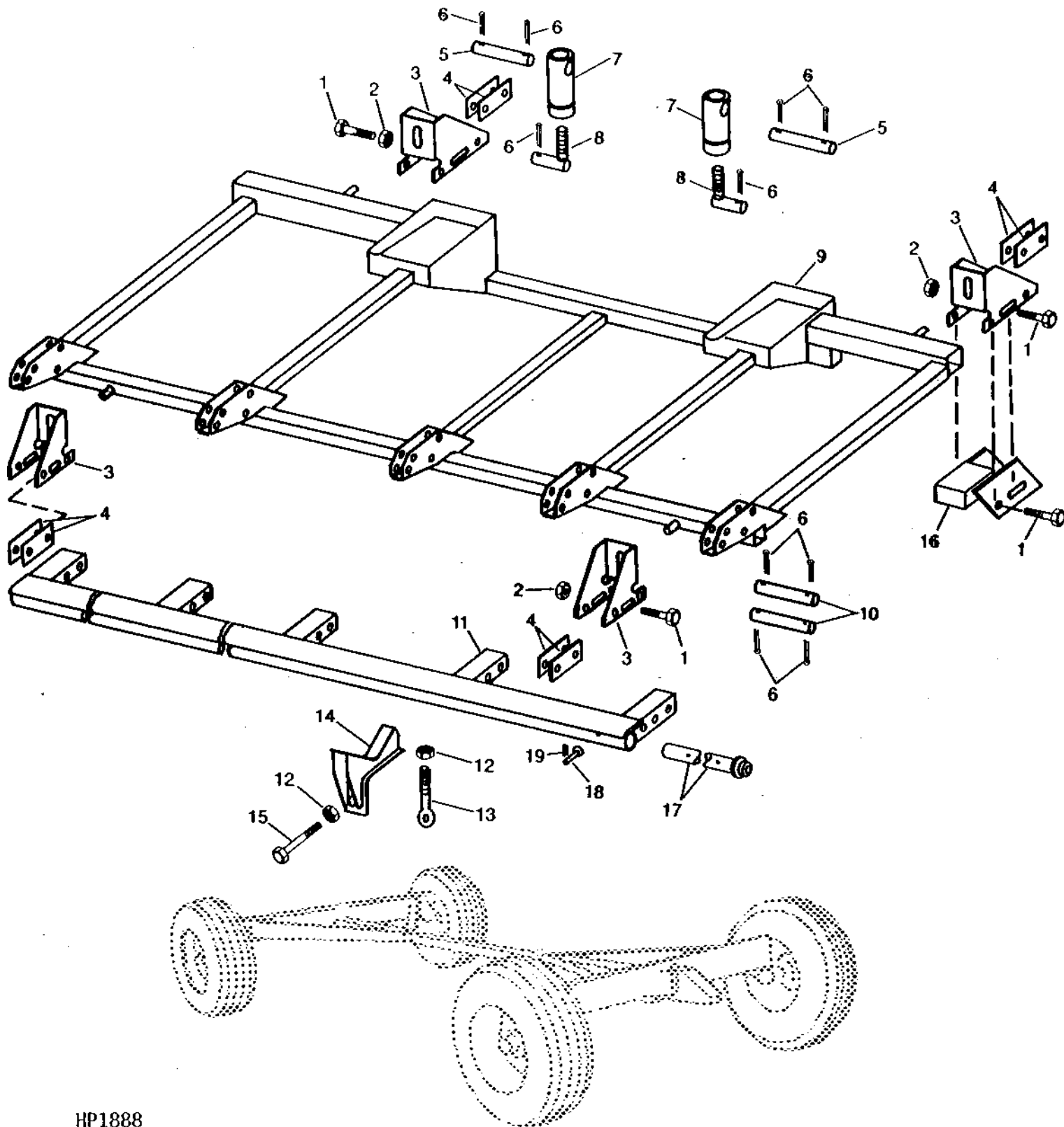
<i>GRID</i>		<i>PAGE</i>	<i>GRID</i>	<i>PAGE</i>
	D			
F8	DECALS	10		
	E			
F7	EMBLEM, SLOW MOVING VEHICLE	9		
	F			
F2	FRAME	6		
	H			
F6	HITCH	8		
	K			
F8	KIT, DECAL	10		
	L			
F4	LIGHT BAR,TRAILER (FRANCE)	7A		
F4	LIGHTS AND REFLECTORS (FRANCE)	7A		
	R			
F4	REFLECTORS AND LIGHTS (FRANCE)	7A		
	W			
F4	WIRING HARNESS BRACKETS (FRANCE)	7A		
F4	WIRING HARNESS, LIGHTS AND REFLECTORS FRANCE)	7A		

MEMORANDA

F2

HP1888 -UN-01JAN94

FRAME



HP1888

FRAME - CONTINUED

KEY	PART NO.	PART NAME	QTY	SERIAL NO.	REMARKS
1	19H1828 19H2348	CAP SCREW CAP SCREW	8 AR		7/16" X 4" 7/16" X 5" USE WITH AH111337 SPACER ONLY, (4 REQ ON 965, 2 REQ ON 1065-A)
2	K40006	LOCK NUT	8		
3	W33907	BOLSTER	4		
4	H110026	STRAP	8		
5	H148933	PIN	2		(SUB H148933) (SUB FOR H109505)
6	11M7040	COTTER PIN	26		6.300 X 50 MM
7	AH108207	HUB	2		
8	AH108328	PIN	2		
9	AH108198	FRAME	1	-1500	(SUB AH112397)
	AH112397	FRAME	1	-2500	(SUB AH119055)
	AH119055	FRAME	1		
10	H148930	PIN	10		(SUB FOR H95041 OR H118182)
11	AH108205	RAIL	1	-1500	(SUB AH112399)
	AH112399	RAIL	1		
12	E54809	LOCK NUT	8		
13	E55604	EYEBOLT	4		
14	AH108203	SUPPORT	4	-1500	(SUB AH112400)
	AH112400	SUPPORT	1		
15	19H2224	CAP SCREW	4		1/2" X 4-3/4"
16	AH111337	SPACER	2		USE WITH 218, 220 AND 222 PLATFORMS AND 643 AND 653-A HEADS ONLY
17	AH115253	TUBE	2		(SUB FOR AH112530)
18	D10033	PIN	2	1701-	(USE WITH 854A AND 1253A ROW CROP HEADS)
19	B32630	SPRING LOCKING PIN	2	1701-	(USE WITH 854A AND 1253A ROW CROP HEADS)

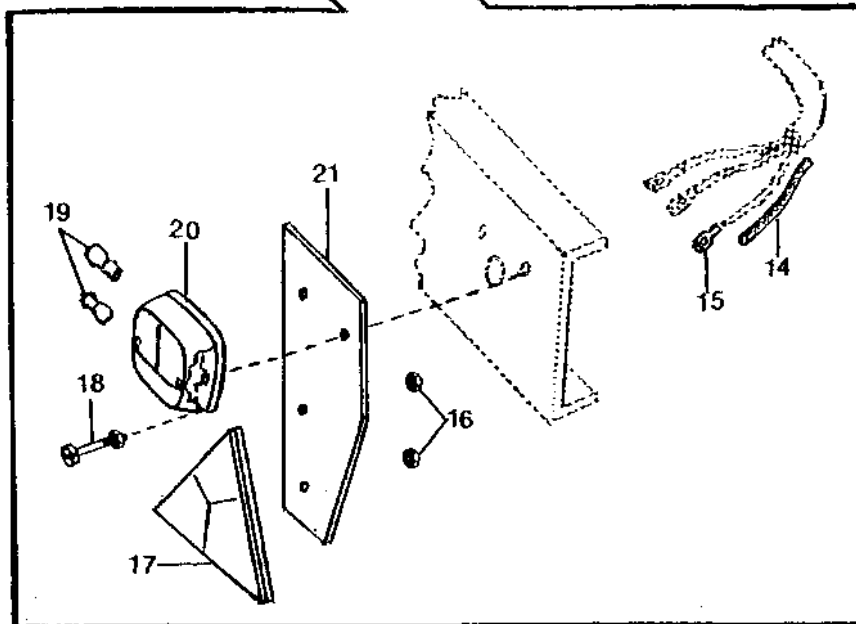
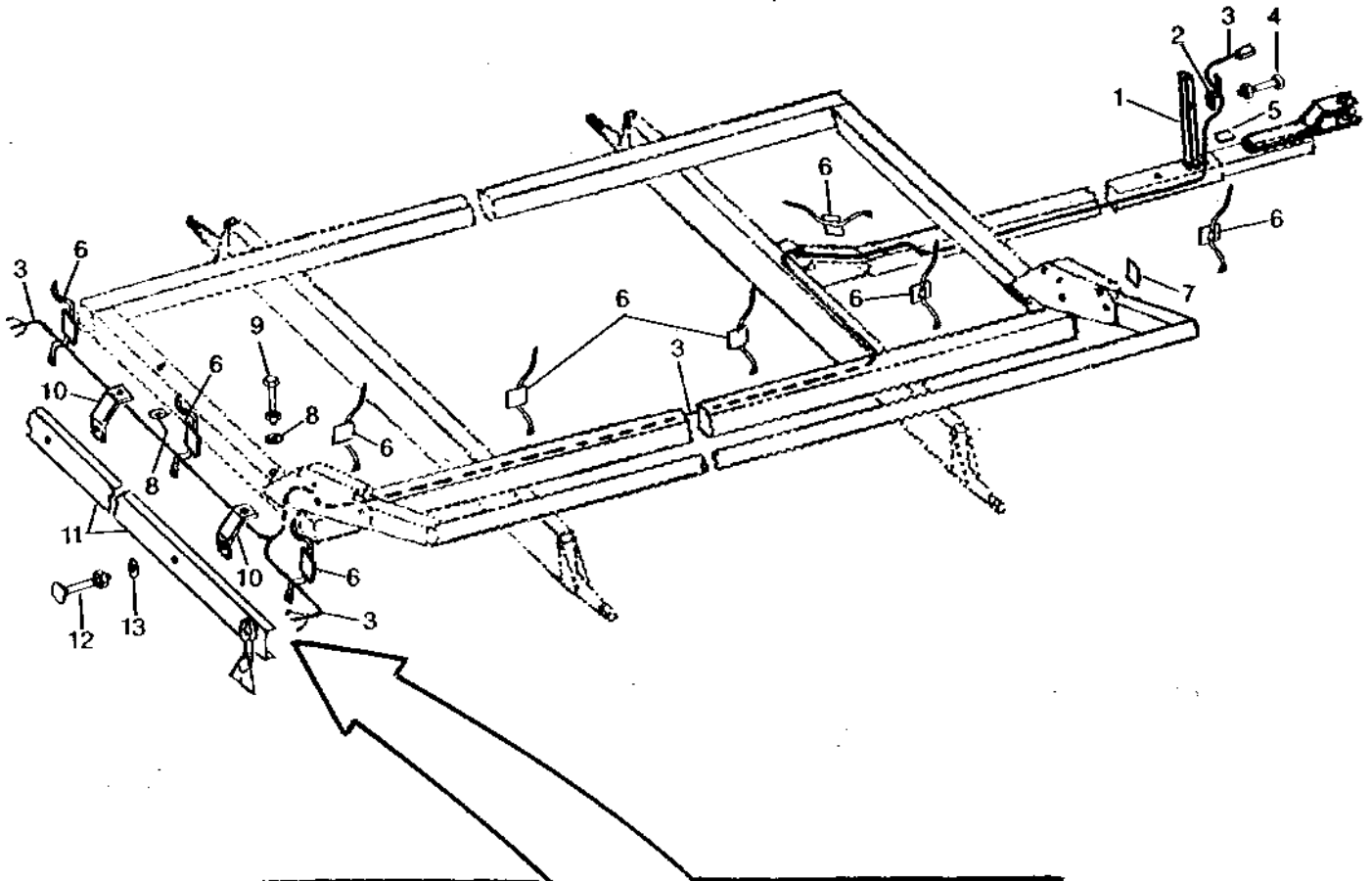
F4

25 COMBINE HEADER TRANSPORT FRAME

WIRING HARNESS, LIGHTS, REFLECTORS AND BRACKETS (EXPORT)
(SERIAL NO. 600001-)

HP2293

-UN-01JAN94



HP2293

F5

25 COMBINE HEADER TRANSPORT FRAME

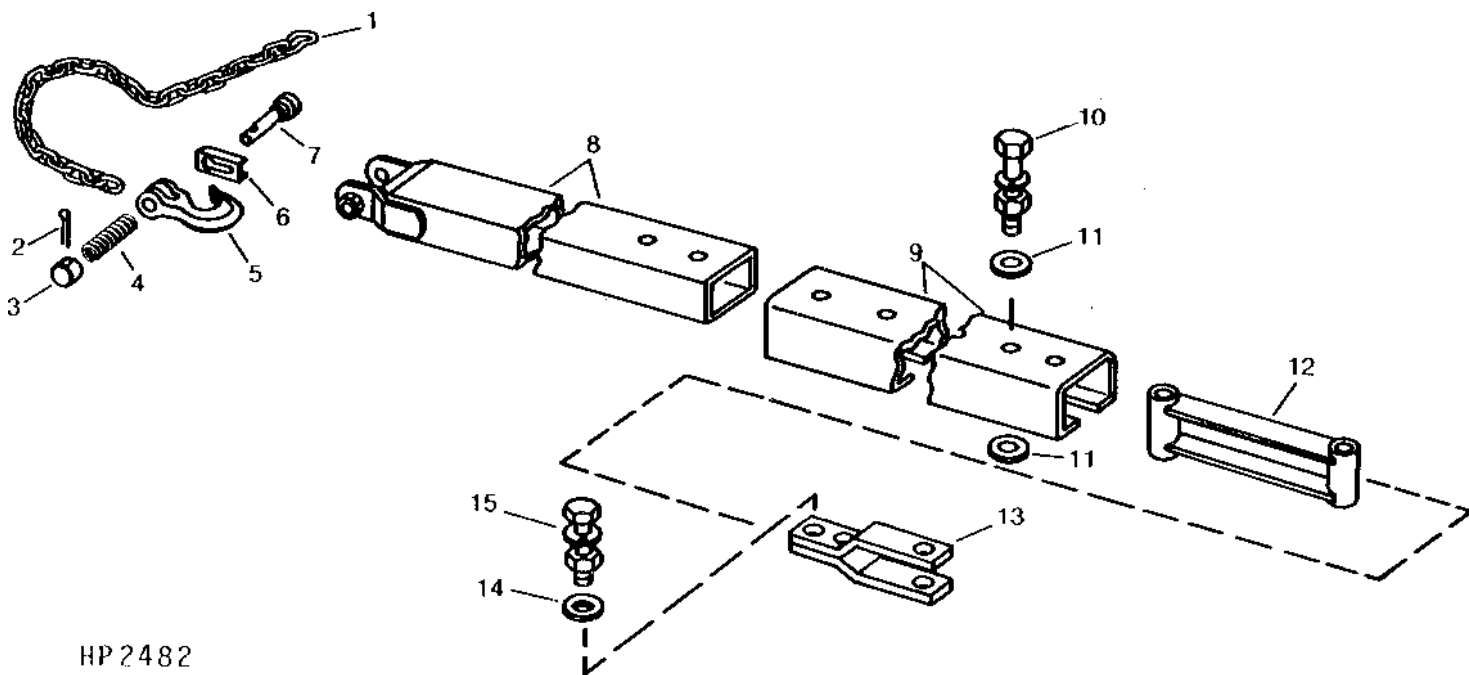
WIRING HARNESS, LIGHTS, REFLECTORS, AND BRACKETS (EXPORT) - CONTINUED
(SERIAL NO. 600001-)

KEY	PART NO.	PART NAME	QTY	SERIAL NO.	REMARKS
1	AH119087	SUPPORT	1		
2	AH78124	CLIP	1		
3	AH119117	WIRING HARNESS	1		
4	AZ15002	ELECTRICAL PLUG	1		
	19H1900	CAP SCREW	1	5/16" X 3/4"	
	12H303	LOCK WASHER	1	5/16"	
	14H785	NUT	1	5/16"	
5	H122834	DECAL	1	CAUTION	
6	Z36647	CLAMP	18		
7	H122835	DECAL	1	RAIL POSITION	
8	24H1305	WASHER	4		
9	19H2228	CAP SCREW	2	3/8" X 4"	
	12H304	LOCK WASHER	2	3/8"	
	14H812	NUT	2	3/8"	
10	H122533	BRACKET	2		
11	H122648	LIGHT BAR	1		
12	03H1540	BOLT	2	5/16" X 3/4"	
	12H303	LOCK WASHER	2	5/16"	
	14H785	NUT	2	5/16"	
13	24H1136	WASHER	2	11/32" X 11/16" X 0.065"	
14	R77503	TUBE	1	3/8" HEAT SHRINK (PKG. OF (8) IN RE11154 KIT)	
15	U46662	TERMINAL	AR	CONNECTOR, ONE CONTACT SINGLE BODY,MALE (IN RE11154 KIT)	
16	14M7027	NUT	4	M6	
	12M7006	LOCK WASHER	4	6.100 MM	
17	AZ13425	REFLECTOR	2	TRIANGLE	
18	21M7142	SCREW	4	M5 X 25	
	12M7064	LOCK WASHER	4	5.100 MM	
	14M7028	NUT	4		
19	57M7014	BULB	4		
20	AL67208	LAMP	1	(SUB FOR AT43600) LEFT HAND	
	AL67206	LAMP	1	(SUB FOR AT43601) RIGHT HAND	
21	Z26096	BRACKET	1		

F6

HP2482 -UN-01JAN94

HITCH

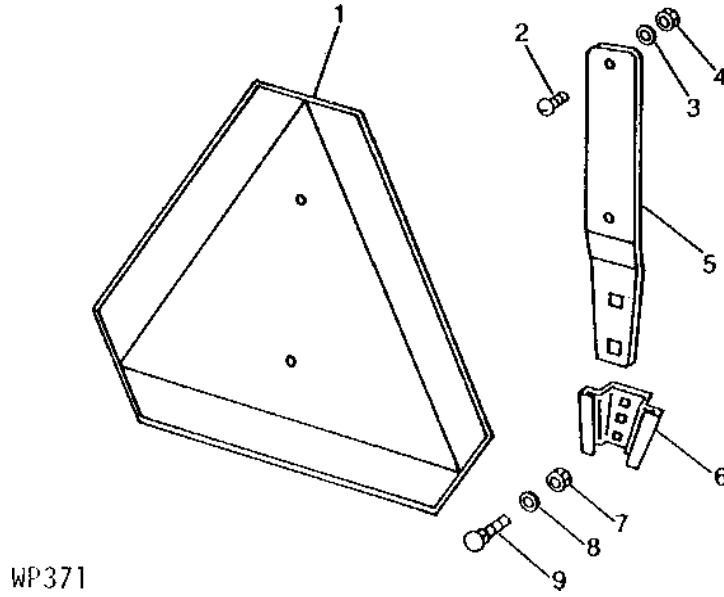


HP 2482

KEY	PART NO.	PART NAME	QTY	SERIAL NO.	REMARKS
1	AR100279	LINK CHAIN	1	2501-	
2	34H248	SPRING PIN	1	2501-	1/8" X 13/16"
3	R74597	RETAINER	1	2501-	
4	R74594	SPRING	1	2501-	
5	R69398	HOOK	1	2501-	
6	R74596	LATCH	1	2501-	
7	R74595	PIN	1	2501-	
8	AH108204	TUBE	1		
9	H109497	BEAM	1		
10	19H2725	CAP SCREW	2		3/4" X 3-3/4"
	12H236	LOCK WASHER	2		3/4"
	14H794	NUT	2		3/4"
11	24H1236	WASHER	4		13/16" X 2" X 0.149"
12	AH108528	SPACER	1		
13	AW21472	CLEVIS	1	-2500	(SUB AW25105)
	AW25105	CLEVIS	1	2501-	
14	N72306	WASHER	2	2501-	
15	19H1734	CAP SCREW	2	-2500	5/8" X 2"
	19H1824	CAP SCREW	2	2501-	5/8" X 2-1/4"
	12H294	LOCK WASHER	2		5/8"
	14H1039	NUT	2		5/8"

SLOW MOVING VEHICLE EMBLEM

WP371 -UN-01JAN94

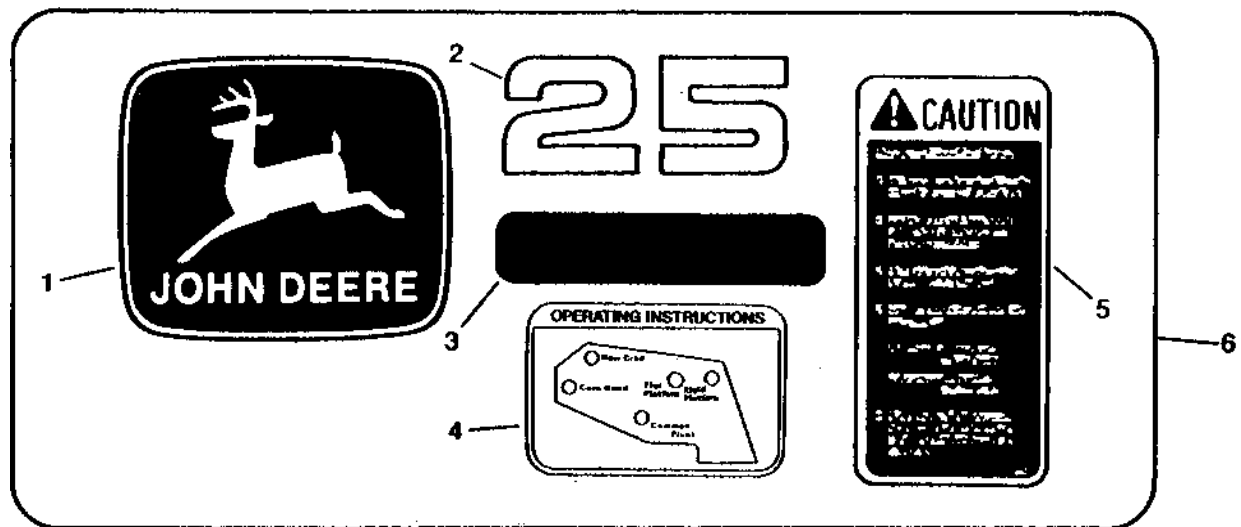


KEY	PART NO.	PART NAME	QTY	SERIAL NO.	REMARKS
1	AR61194	SIGN	1		
2	21H1148	SCREW	2		0.190" X 3/4"
3	12H246	LOCK WASHER	2		0.190"
4	14H778	NUT	2		0.190"
5	JD5404	BRACKET	1		
6	JD126	SOCKET	1		
7	14H785	NUT	2		5/16"
8	12H303	LOCK WASHER	2		5/16"
9	03H1540	BOLT	2		5/16" X 3/4"

F8

HP1665 -UN-01JAN94

DECALS



HP1665

KEY	PART NO.	PART NAME	QTY	SERIAL NO.	REMARKS
1	JD5597	DECAL	1		LEAPING DEER, 100 MM (4")
2	W33360	DECAL	1		
3	JD5901	REFLECTOR	2		(RED) (SUB FOR JD5578)
4	H110063	DECAL	1	-1500	(SUB H114781)
	H114781	DECAL	1		OPERATING INSTRUCTIONS (RAILING POSITIONS)
5	W33460	DECAL	1		"CAUTION"
6	AW22422	KIT	1		(SUB H114781, (2) JD5901, JD5597, W33360 AND W33460)

F25

NUMERICAL INDEX

PART NO.	GRID	KEY	PAGE	PART NO.	GRID	KEY	PAGE	PART NO.	GRID	KEY	PAGE
AH108198	F3	9	7	Z26096	F5	21	7B				
AH108203	F3	14	7	Z36647	F5	6	7B				
AH108204	F6	8	8								
AH108205	F3	11	7								
AH108207	F3	7	7								
AH108328	F3	8	7								
AH108528	F6	12	8								
AH111337	F3	16	7								
AH112397	F3	9	7								
AH112399	F3	11	7								
AH112400	F3	14	7								
AH112530	F3	17	7								
AH115253	F3	17	7								
AH119055	F3	9	7								
AH119087	F5	1	7B								
AH119117	F5	3	7B								
AH78124	F5	2	7B								
AL67206	F5	20	7B								
AL67208	F5	20	7B								
AR100279	F6	1	8								
AR61194	F7	1	9								
AT43600	F5	20	7B								
AT43601	F5	20	7B								
AW21472	F6	13	8								
AW22422	F8	6	10								
AW25105	F6	13	8								
AZ13425	F5	17	7B								
AZ15002	F5	3	7B								
B32630	F3	19	7								
D10033	F3	18	7								
E54809	F3	12	7								
E55604	F3	13	7								
H109497	F6	9	8								
H109505	F3	5	7								
H110026	F3	4	7								
H110063	F8	4	10								
H114781	F8	4	10								
H114781	F8	6	10								
H118182	F3	10	7								
H122533	F5	10	7B								
H122648	F5	11	7B								
H122834	F5	5	7B								
H122835	F5	7	7B								
H148930	F3	10	7								
H148933	F3	5	7								
H95041	F3	10	7								
JD126	F7	6	9								
JD5404	F7	5	9								
JD5578	F8	3	10								
JD5597	F8	1	10								
JD5597	F8	6	10								
JD5901	F8	3	10								
JD5901	F8	6	10								
K40006	F3	2	7								
N72306	F6	14	8								
R69398	F6	5	8								
R74594	F6	4	8								
R74595	F6	7	8								
R74596	F6	6	8								
R74597	F6	3	8								
R77503	F5	14	7B								
U46662	F5	15	7B								
W33360	F8	2	10								
W33360	F8	6	10								
W33460	F8	5	10								
W33460	F8	6	10								
W33907	F3	3	7								