

*Challenger*<sup>®</sup>

# Parts Manual

---

**DKHC ROTARY HEADER  
CONDITIONER-ROLLER**

---





### ALPHABETICAL INDEX

The complete alphabetical index appears at the beginning of this publication. It is used to locate major groups, assemblies and components.

### NUMERICAL INDEX

The numerical index of this publication follows the Alphabetical Index at the beginning of the publication and indicates at which grid location and page number a part number appears.

### ILLUSTRATIONS

All illustrations are located on the left hand page with the text on the right. Except for some common hardware, all parts are identified with an item number which corresponds to the item column on the text page. This is followed by the parts number, quantity and description.

### HARDWARE

Common hardware not identified such as bolts, nuts, cotter pins and lube fittings, are listed indented in the text beneath the item to which they attach or fit. Common hardware listed indented beneath an item is NOT included unless specified. Example: (Incl. BOLT, LOCKWASHER AND NUT).

### ORDERING PARTS

Be sure to refer to both the text and the illustration to assure ordering the correct part.

### RECOMMENDED DEALER STOCK

A recommended dealer stock listing appears at the end of this publication.



**DKHC ROTARY HEADER CONDITIONER-ROLLER**

**CUTTER**

CUTTER BAR ASSEMBLY (700717697 CUTTER BAR ASSEMBLY) ..... 35  
 CUTTER BAR, ROCK GUARDS AND SKID SHOES ..... 33  
 CUTTER DISC-LEFT ..... 37  
 CUTTER DISC-RIGHT ..... 39  
 CUTTER OIL BOTTLE ASSEMBLY (700149964 OIL BOTTLE ASSEMBLY) ..... 49  
 DISC ASSEMBLY ..... 45  
 SPINDLE ASSEMBLY (INNER) (700719597 SPINDLE ASSEMBLY-INNER) ..... 41  
 SPINDLE ASSEMBLY (OUTER) (700719598 SPINDLE ASSEMBLY-OUTER) ..... 43  
 U-JOINT ASSEMBLY (CUTTER DISC) (700721264 U-JOINT ASSEMBLY) ..... 47

**DECALS AND KITS**

DECALS AND LOCATION DIAGRAM ..... 91  
 DOOR PROTECTOR KIT (BK11077 DOOR PROTECTOR KIT) ..... 99  
 GAUGE ROLLER KIT (BK11136 GAUGE ROLLER KIT) ..... 93  
 PERFORMANCE PACKAGE (700161006 PERFORMANCE PACKAGE) ..... 101  
 RECOMMENDED DEALER STOCK ..... 103  
 SWATHBOARD ACTUATOR KIT (BK11097 SWATHBOARD ACTUATOR KIT) ..... 95  
 SWATHBOARD ACTUATOR KIT-Continued ..... 97

**DRIVES**

GEARBOX ASSEMBLY (700149848 GEARBOX ASSEMBLY) ..... 23  
 GEARBOX ASSEMBLY (700717706 GEARBOX ASSEMBLY) ..... 13  
 HAY CONDITIONER DRIVE ..... 21  
 HEADER DRIVE CAGE ASSEMBLY-LEFT ..... 17  
 HEADER DRIVE CAGE ASSEMBLY-RIGHT ..... 19  
 HEADER DRIVE-LEFT ..... 9  
 HEADER DRIVE-RIGHT ..... 11  
 HOUSING ASSEMBLY (700722693-HOUSING ASSEMBLY) ..... 15  
 U-JOINT ASSEMBLY (700713437 U-JOINT ASSEMBLY) ..... 25  
 U-JOINT ASSEMBLY (700715721 U-JOINT ASSEMBLY) ..... 27  
 U-JOINT ASSEMBLY-TIMING (700721265 U-JOINT ASSEMBLY) ..... 31  
 U-JOINT ASSEMBLY-UPPER H/C DRIVE (700713409 U-JOINT ASSEMBLY) ..... 29

**ELECTRICAL**

ELECTRICAL HARNESS AND FLASHERS ..... 51  
 ELECTRICAL HARNESS SERVICE PARTS ..... 53

**HAY CONDITIONER**

CAM ASSEMBLY ..... 59  
 HAY CONDITIONER PIVOT ASSEMBLY-LEFT ..... 61  
 HAY CONDITIONER PIVOT ASSEMBLY-RIGHT ..... 63  
 HAY CONDITIONER-LEFT ..... 55  
 HAY CONDITIONER-RIGHT ..... 57

**HYDRAULICS**

HEADER DRIVE-HYDRAULIC ..... 87  
 HYDRAULIC MOTOR ASSEMBLY (700725088 HYDRAULIC MOTOR ASSEMBLY) ..... 89

**MAINFRAME AND SHIELDS**

CURTAINS ..... 75  
 FORMING SHIELDS ..... 77  
 HEADER FRAME-LEFT AND RIGHT ..... 67  
 HEADER FRAME, CRADLE AND LIFT ARMS ..... 65  
 SHIELDS-CENTER SAFETY ..... 79  
 SHIELDS-CUTTERBAR, LEFT ..... 71  
 SHIELDS-CUTTERBAR, RIGHT ..... 73  
 SHIELDS-LEFT, SAFETY ..... 81  
 SHIELDS-RIGHT, SAFETY ..... 83  
 SKID SHOE-LEFT AND RIGHT ..... 85  
 SWATHBOARD AND MOUNTING ..... 69

## DKHC ROTARY HEADER CONDITIONER-ROLLER

3  
INDEX

Part No.	Page	Grid	Part No.	Page	Grid	Part No.	Page	Grid	Part No.	Page	Grid
BK11077	99	1-B 15	30366E91	103	1-B 16	700127395P	77	1-B 13	700149962C	83	1-B 14
BK11097	95	1-B 15	353436X1	51	1-B 11	700127396C	77	1-B 13	700149964	35	1-B 9
BK11136	93	1-B 15	364941X1	77	1-B 13	700127414	35	1-B 9	700149964	49	1-B 10
Y47530	59	1-B 11	373839X1	81	1-B 14	700127414	103	1-B 16	700149964	103	1-B 16
Y703132	79	1-B 13	373839X1	83	1-B 14	700127417C	59	1-B 11	700149969C	67	1-B 12
Y704015	37	1-B 9	375140X1	95	1-B 15	700128253	77	1-B 13	700149970P	67	1-B 12
Y704015	39	1-B 9	382069	75	1-B 13	700128266	35	1-B 9	700149972P	67	1-B 12
Y704015	51	1-B 11	382069	77	1-B 13	700128266	103	1-B 16	700149973	81	1-B 14
Y704015	77	1-B 13	385625	55	1-B 11	700130184C	65	1-B 12	700149973	83	1-B 14
Y704015	79	1-B 13	385625	57	1-B 11	700130220	81	1-B 14	700149974P	79	1-B 13
Y704072	81	1-B 14	52167	69	1-B 12	700130220	83	1-B 14	700149980C	59	1-B 11
Y704080	85	1-B 14	52175	21	1-B 8	700130238	21	1-B 8	700149982P	11	1-B 7
Y704726	37	1-B 9	6124259	81	1-B 14	700130243	23	1-B 8	700152383C	55	1-B 11
Y704726	39	1-B 9	6124259	83	1-B 14	700130244	23	1-B 8	700152386C	57	1-B 11
Y704726	55	1-B 11	6146542	59	1-B 11	700130246	23	1-B 8	700154018	99	1-B 15
Y704726	57	1-B 11	6171060B	59	1-B 11	700130247C	21	1-B 8	700154276B	51	1-B 11
Y704726	59	1-B 11	6189971C	21	1-B 8	700130253C	77	1-B 13	700154374	93	1-B 15
Y704726	69	1-B 12	6189989	21	1-B 8	700130259	77	1-B 13	700156111C	37	1-B 9
Y704726	79	1-B 13	62166	71	1-B 13	700130263C	77	1-B 13	700156111C	39	1-B 9
Y704734	21	1-B 8	62166	73	1-B 13	700130264C	77	1-B 13	700156515C	37	1-B 9
Y704734	33	1-B 9	62174	69	1-B 12	700130291	93	1-B 15	700156515C	39	1-B 9
Y704734	67	1-B 12	6232532	77	1-B 13	700130303	23	1-B 8	700156546B	93	1-B 15
Y704734	69	1-B 12	6232532	103	1-B 16	700130568P	77	1-B 13	700158542B	65	1-B 12
Y704734	77	1-B 13	6235071B	21	1-B 8	700130652C	9	1-B 6	700158544B	65	1-B 12
Y704742	55	1-B 11	6235071B	85	1-B 14	700130652C	11	1-B 7	700158623C	81	1-B 14
Y704742	57	1-B 11	6235071B	93	1-B 15	700133541	55	1-B 11	700158625C	83	1-B 14
Y704742	67	1-B 12	62505	95	1-B 15	700133541	57	1-B 11	700158628C	51	1-B 11
Y704742	71	1-B 13	63578	95	1-B 15	700134748C	69	1-B 12	700158630C	17	1-B 7
Y704742	73	1-B 13	6368930	93	1-B 15	700135352	65	1-B 12	700158630C	103	1-B 16
Y704742	93	1-B 15	63784	81	1-B 14	700149797P	65	1-B 12	700158630C	103	1-B 16
Y705525	37	1-B 9	63784	83	1-B 14	700149830P	69	1-B 12	700158632B	95	1-B 15
Y705525	39	1-B 9	63784	103	1-B 16	700149834P	69	1-B 12	700158636	95	1-B 15
Y705525	51	1-B 11	6472948	71	1-B 13	700149838C	69	1-B 12	700158637B	95	1-B 15
Y705525	59	1-B 11	6472948	73	1-B 13	700149839P	69	1-B 12	700160893C	57	1-B 11
Y705525	77	1-B 13	6489231	69	1-B 12	700149841P	67	1-B 12	700160896C	37	1-B 9
Y705525	79	1-B 13	6559314C	37	1-B 9	700149846P	67	1-B 12	700160896C	39	1-B 9
Y705525	81	1-B 14	6559314C	39	1-B 9	700149847P	69	1-B 12	700160897C	37	1-B 9
Y705525	83	1-B 14	6559876	77	1-B 13	700149848	21	1-B 8	700160897C	39	1-B 9
Y705533	9	1-B 6	6595516C	69	1-B 12	700149848	23	1-B 8	700160898	81	1-B 14
Y705533	11	1-B 7	6834394C	55	1-B 11	700149850P	23	1-B 8	700160898	83	1-B 14
Y705533	21	1-B 8	6834394C	57	1-B 11	700149855P	21	1-B 8	700160907C	17	1-B 7
Y705533	33	1-B 9	6849178	91	1-B 15	700149857C	21	1-B 8	700160907C	19	1-B 7
Y705533	45	1-B 10	68619	93	1-B 15	700149867	33	1-B 9	700160909C	17	1-B 7
Y705533	55	1-B 11	6869382	77	1-B 13	700149868C	37	1-B 9	700160909C	19	1-B 7
Y705533	57	1-B 11	68759	77	1-B 13	700149868C	39	1-B 9	700160910P	17	1-B 7
Y705533	69	1-B 12	69674	61	1-B 12	700149881P	9	1-B 6	700160910P	19	1-B 7
Y705533	71	1-B 13	69674	63	1-B 12	700149881P	11	1-B 7	700160917C	21	1-B 8
Y705533	73	1-B 13	700108790B	55	1-B 11	700149890C	17	1-B 7	700160920C	21	1-B 8
Y705533	77	1-B 13	700108790B	57	1-B 11	700149890C	19	1-B 7	700160921C	21	1-B 8
Y705533	85	1-B 14	700108796B	77	1-B 13	700149890C	51	1-B 11	700160934C	61	1-B 12
Y705533	101	1-B 16	700110610C	67	1-B 12	700149890C	71	1-B 13	700160938C	63	1-B 12
Y705558	45	1-B 10	700114925	65	1-B 12	700149890C	73	1-B 13	700160989	75	1-B 13
Y705558	85	1-B 14	700115122C	55	1-B 11	700149900C	71	1-B 13	700160990	75	1-B 13
Y705558	101	1-B 16	700118104C	59	1-B 11	700149900C	73	1-B 13	700161006	101	1-B 16
Y705582	21	1-B 8	700118107C	55	1-B 11	700149907P	71	1-B 13	700161514B	93	1-B 15
Y705582	55	1-B 11	700118107C	57	1-B 11	700149910C	81	1-B 14	700161518	93	1-B 15
Y705582	57	1-B 11	700119865C	59	1-B 11	700149913C	81	1-B 14	700161548	85	1-B 14
Y707042	85	1-B 14	700119868C	59	1-B 11	700149913C	83	1-B 14	700161549	85	1-B 14
Y708230	9	1-B 6	700121385	55	1-B 11	700149917C	83	1-B 14	700163401	33	1-B 9
Y708230	11	1-B 7	700127062C	37	1-B 9	700149929C	81	1-B 14	700163403	33	1-B 9
Y761197	21	1-B 8	700127062C	39	1-B 9	700149929C	83	1-B 14	700163404	33	1-B 9
Y761239	17	1-B 7	700127071	45	1-B 10	700149931	81	1-B 14	700163412	65	1-B 12
Y761239	19	1-B 7	700127071	101	1-B 16	700149932	81	1-B 14	700163614	71	1-B 13
1077960M1	89	1-B 14	700127072	45	1-B 10	700149934	81	1-B 14	700163616	71	1-B 13
1441456X1	35	1-B 9	700127072	101	1-B 16	700149934	83	1-B 14	700163616	73	1-B 13
1441456X1	103	1-B 16	700127072	103	1-B 16	700149935	51	1-B 11	700163621	55	1-B 11
163733	55	1-B 11	700127073	45	1-B 10	700149935	79	1-B 13	700163621	57	1-B 11
163733	57	1-B 11	700127073	101	1-B 16	700149936C	79	1-B 13	700163632	55	1-B 11
163733	103	1-B 16	700127073	103	1-B 16	700149937C	79	1-B 13	700163640	67	1-B 12
1702893	35	1-B 9	700127123C	55	1-B 11	700149938P	83	1-B 14	700163643	67	1-B 12
282269C	17	1-B 7	700127123C	57	1-B 11	700149939P	79	1-B 13	700164324	65	1-B 12
282269C	19	1-B 7	700127224	71	1-B 13	700149940C	79	1-B 13	700164331	85	1-B 14
29780X	21	1-B 8	700127224	73	1-B 13	700149946C	57	1-B 11	700164333	85	1-B 14
29780X	23	1-B 8	700127393C	77	1-B 13	700149960C	81	1-B 14	700164334B	93	1-B 15
30366E91	25	1-B 8	700127394C	77	1-B 13	700149961C	81	1-B 14	700700628	81	1-B 14

## INDEX

Part No.	Page	Grid	Part No.	Page	Grid	Part No.	Page	Grid	Part No.	Page	Grid
700701035	95	1-B 15	700711964	103	1-B 16	700714138	91	1-B 15	700720588	55	1-B 11
700702916	77	1-B 13	700712189	75	1-B 13	700714310	41	1-B 10	700720588	57	1-B 11
700703267	69	1-B 12	700712200	13	1-B 7	700714310	43	1-B 10	700721264	37	1-B 9
700703830	95	1-B 15	700712200	15	1-B 7	700714310	103	1-B 16	700721264	39	1-B 9
700703922	55	1-B 11	700712360	13	1-B 7	700714361	91	1-B 15	700721264	47	1-B 10
700703922	57	1-B 11	700712360	15	1-B 7	700714362	91	1-B 15	700721265	21	1-B 8
700703922	67	1-B 12	700712361	13	1-B 7	700714715	9	1-B 6	700721265	31	1-B 9
700703923	65	1-B 12	700712361	103	1-B 16	700714715	11	1-B 7	700721267	21	1-B 8
700704954	29	1-B 8	700712362	13	1-B 7	700714715	103	1-B 16	700721267	103	1-B 16
700704955	29	1-B 8	700712362	15	1-B 7	700714829	53	1-B 11	700721268	21	1-B 8
700705407	21	1-B 8	700712362	103	1-B 16	700714841	9	1-B 6	700721269	21	1-B 8
700705407	29	1-B 8	700712375	41	1-B 10	700714841	11	1-B 7	700721327	55	1-B 11
700705535	27	1-B 8	700712375	43	1-B 10	700714841	103	1-B 16	700721327	57	1-B 11
700706189	59	1-B 11	700712375	103	1-B 16	700715254	95	1-B 15	700721327	61	1-B 12
700706398	51	1-B 11	700712378	13	1-B 7	700715575	45	1-B 10	700721327	63	1-B 12
700706398	103	1-B 16	700712383	15	1-B 7	700715575	101	1-B 16	700721328	55	1-B 11
700706399	53	1-B 11	700712388	13	1-B 7	700715575	103	1-B 16	700721328	57	1-B 11
700706399	97	1-B 15	700712393	35	1-B 9	700715576	45	1-B 10	700721328	61	1-B 12
700706400	53	1-B 11	700712393	103	1-B 16	700715576	101	1-B 16	700721328	63	1-B 12
700706400	97	1-B 15	700712394	35	1-B 9	700715576	103	1-B 16	700721328	103	1-B 16
700706401	53	1-B 11	700712395	35	1-B 9	700715721	21	1-B 8	700721421	85	1-B 14
700706401	97	1-B 15	700712395	103	1-B 16	700715721	27	1-B 8	700721564	95	1-B 15
700706413	97	1-B 15	700712396	35	1-B 9	700716119	91	1-B 15	700721565	95	1-B 15
700706817	87	1-B 14	700712401	35	1-B 9	700716432	95	1-B 15	700721604	47	1-B 10
700706999	97	1-B 15	700712401	103	1-B 16	700716839	53	1-B 11	700721606	47	1-B 10
700707001	97	1-B 15	700712408	41	1-B 10	700716946	23	1-B 8	700721607	31	1-B 9
700707012	53	1-B 11	700712408	43	1-B 10	700717402	91	1-B 15	700721835	23	1-B 8
700707013	53	1-B 11	700712409	41	1-B 10	700717403	91	1-B 15	700722693	11	1-B 7
700707014	53	1-B 11	700712409	43	1-B 10	700717404	91	1-B 15	700722693	15	1-B 7
700707203	81	1-B 14	700712409	103	1-B 16	700717697	33	1-B 9	700722760	81	1-B 14
700707203	83	1-B 14	700712415	35	1-B 9	700717697	35	1-B 9	700722760	83	1-B 14
700707757	97	1-B 15	700712415	103	1-B 16	700717700	37	1-B 9	700722848	15	1-B 7
700707770	95	1-B 15	700712417	35	1-B 9	700717700	39	1-B 9	700722851	89	1-B 14
700708327	23	1-B 8	700712417	103	1-B 16	700717706	9	1-B 6	700722852	89	1-B 14
700708648	81	1-B 14	700712418	35	1-B 9	700717706	13	1-B 7	700722853	89	1-B 14
700708648	83	1-B 14	700712418	103	1-B 16	700717784	55	1-B 11	700722854	89	1-B 14
700708648	103	1-B 16	700712420	35	1-B 9	700717784	57	1-B 11	700722855	89	1-B 14
700708649	77	1-B 13	700712420	103	1-B 16	700718336	13	1-B 7	700722858	89	1-B 14
700708753	53	1-B 11	700712421	35	1-B 9	700718337	13	1-B 7	700722859	89	1-B 14
700708753	97	1-B 15	700712467	53	1-B 11	700718339	13	1-B 7	700722860	89	1-B 14
700708757	97	1-B 15	700712677	23	1-B 8	700718339	15	1-B 7	700722865	89	1-B 14
700708760	97	1-B 15	700712881	21	1-B 8	700718345	35	1-B 9	700722866	89	1-B 14
700708761	53	1-B 11	700712886	9	1-B 6	700718347	35	1-B 9	700723123	13	1-B 7
700708761	97	1-B 15	700712886	103	1-B 16	700718347	103	1-B 16	700723123	15	1-B 7
700709106	93	1-B 15	700712888	45	1-B 10	700718348	35	1-B 9	700723123	103	1-B 16
700709175	97	1-B 15	700712889	45	1-B 10	700718348	103	1-B 16	700723231	91	1-B 15
700709232	97	1-B 15	700713252	91	1-B 15	700718349	35	1-B 9	700723797	15	1-B 7
700709233	97	1-B 15	700713427	75	1-B 13	700718349	103	1-B 16	700723798	15	1-B 7
700710188	95	1-B 15	700713437	21	1-B 8	700718350	41	1-B 10	700723799	15	1-B 7
700710811	87	1-B 14	700713437	25	1-B 8	700718350	43	1-B 10	700724397	75	1-B 13
700710982	67	1-B 12	700713466	43	1-B 10	700718352	41	1-B 10	700724398	75	1-B 13
700710984	67	1-B 12	700713467	41	1-B 10	700718355	43	1-B 10	700724515	65	1-B 12
700710984	71	1-B 13	700713471	41	1-B 10	700718356	35	1-B 9	700725052	87	1-B 14
700711084	77	1-B 13	700713471	43	1-B 10	700718360	35	1-B 9	700725073	87	1-B 14
700711165	55	1-B 11	700713471	103	1-B 16	700718360	103	1-B 16	700725088	87	1-B 14
700711165	57	1-B 11	700713472	25	1-B 8	700718362	35	1-B 9	700725088	89	1-B 14
700711183	87	1-B 14	700713521	55	1-B 11	700718362	103	1-B 16	700725120	13	1-B 7
700711262	67	1-B 12	700713521	57	1-B 11	700718363	35	1-B 9	700725120	103	1-B 16
700711347	93	1-B 15	700713522	91	1-B 15	700718363	103	1-B 16	700725759	45	1-B 10
700711557	21	1-B 8	700713526	95	1-B 15	700718576	53	1-B 11	700725968	99	1-B 15
700711557	67	1-B 12	700713536	13	1-B 7	700718579	97	1-B 15	700726065	51	1-B 11
700711557	85	1-B 14	700713539	13	1-B 7	700718590	53	1-B 11	700726192	59	1-B 11
700711557	93	1-B 15	700713539	15	1-B 7	700718599	97	1-B 15	700726228	35	1-B 9
700711843	27	1-B 8	700713541	13	1-B 7	700718607	97	1-B 15	700726228	103	1-B 16
700711843	29	1-B 8	700713543	13	1-B 7	700718617	97	1-B 15	700726522	51	1-B 11
700711843	31	1-B 9	700713546	13	1-B 7	700718620	97	1-B 15	700727431	53	1-B 11
700711843	47	1-B 10	700713547	13	1-B 7	700718621	97	1-B 15	704031	21	1-B 8
700711843	103	1-B 16	700713551	91	1-B 15	700718800	35	1-B 9	704031	55	1-B 11
700711857	45	1-B 10	700713983	45	1-B 10	700718801	41	1-B 10	704031	57	1-B 11
700711858	45	1-B 10	700713984	45	1-B 10	700718801	43	1-B 10	704031	59	1-B 11
700711877	45	1-B 10	700714032	9	1-B 6	700719597	35	1-B 9	704031	61	1-B 12
700711877	101	1-B 16	700714122	13	1-B 7	700719597	41	1-B 10	704031	63	1-B 12
700711877	103	1-B 16	700714122	15	1-B 7	700719598	35	1-B 9	704031	93	1-B 15
700711964	45	1-B 10	700714123	13	1-B 7	700719598	43	1-B 10	704247	23	1-B 8
700711964	101	1-B 16	700714123	15	1-B 7	700719869	53	1-B 11	704247	69	1-B 12

## DKHC ROTARY HEADER CONDITIONER-ROLLER

5  
INDEX

Part No.	Page	Grid	Part No.	Page	Grid	Part No.	Page	Grid	Part No.	Page	Grid
704247	71	1-B 13	70931390	65	1-B 12	7883333	57	1-B 11			
704247	73	1-B 13	70931814	67	1-B 12	7883333	79	1-B 13			
704247	75	1-B 13	70932665	21	1-B 8	7883333	81	1-B 14			
704247	77	1-B 13	70937133	87	1-B 14	7883333	83	1-B 14			
704247	81	1-B 14	710871	23	1-B 8	7883333	99	1-B 15			
704247	83	1-B 14	71138464	55	1-B 11	7883366	23	1-B 8			
704254	21	1-B 8	71138464	57	1-B 11	7883374	23	1-B 8			
704254	71	1-B 13	71138464	61	1-B 12	7883374	81	1-B 14			
7044951	23	1-B 8	71138464	63	1-B 12	7883374	83	1-B 14			
704551	95	1-B 15	71138464	103	1-B 16	7883382	23	1-B 8			
704858	85	1-B 14	71193862	51	1-B 11	7883382	33	1-B 9			
705004	81	1-B 14	71193862	103	1-B 16	7883382	69	1-B 12			
705541	9	1-B 6	71309128	55	1-B 11	7883382	81	1-B 14			
705541	11	1-B 7	71309128	57	1-B 11	7883382	83	1-B 14			
705541	21	1-B 8	71309128	103	1-B 16	7883408	9	1-B 6			
705541	37	1-B 9	71355384	89	1-B 14	7883408	11	1-B 7			
705541	39	1-B 9	71355386	89	1-B 14	7883408	21	1-B 8			
705541	55	1-B 11	71390806	53	1-B 11	7883408	77	1-B 13			
705541	57	1-B 11	720870	55	1-B 11	7883432	85	1-B 14			
705541	61	1-B 12	720870	57	1-B 11	7883432	93	1-B 15			
705541	63	1-B 12	721258	69	1-B 12	8046146	87	1-B 14			
705541	87	1-B 14	740217	21	1-B 8	8050080	17	1-B 7			
705541	93	1-B 15	740803	59	1-B 11	8050080	19	1-B 7			
705541	95	1-B 15	755785	51	1-B 11	853804	21	1-B 8			
705574	65	1-B 12	757427	47	1-B 10	853804	103	1-B 16			
70590610	23	1-B 8	757716	27	1-B 8	8701237	67	1-B 12			
707265	85	1-B 14	757716	29	1-B 8	8722910	81	1-B 14			
70913160	61	1-B 12	757716	31	1-B 9	873141	9	1-B 6			
70914687	27	1-B 8	763177	85	1-B 14	873141	11	1-B 7			
70915275	25	1-B 8	768036	67	1-B 12	873513	21	1-B 8			
70916622	81	1-B 14	7700016	55	1-B 11	873513	55	1-B 11			
70916950	55	1-B 11	7700016	57	1-B 11	873513	57	1-B 11			
70917467	21	1-B 8	7700578	37	1-B 9	98-2107	85	1-B 14			
70918430	77	1-B 13	7700578	39	1-B 9						
70918451	95	1-B 15	7701659	21	1-B 8						
70919313	81	1-B 14	7703275	13	1-B 7						
70920272	21	1-B 8	7703275	15	1-B 7						
70921024	55	1-B 11	77057	55	1-B 11						
70921049	59	1-B 11	77057	57	1-B 11						
70921176	9	1-B 6	77057	59	1-B 11						
70921205	87	1-B 14	7720048	55	1-B 11						
70921206	87	1-B 14	7720048	57	1-B 11						
70921221	55	1-B 11	773051	37	1-B 9						
70921326	87	1-B 14	773051	39	1-B 9						
70921333	59	1-B 11	776674	81	1-B 14						
70921349	23	1-B 8	776674	83	1-B 14						
70921573	23	1-B 8	776682	81	1-B 14						
70921965	75	1-B 13	776682	83	1-B 14						
70921978	81	1-B 14	776682	103	1-B 16						
70922507	23	1-B 8	7770282	75	1-B 13						
70922605	33	1-B 9	7774458	21	1-B 8						
70922645	71	1-B 13	7774664	33	1-B 9						
70922786	67	1-B 12	7774664	35	1-B 9						
70922869	77	1-B 13	7774664	103	1-B 16						
70923114	9	1-B 6	7827413	51	1-B 11						
70923174	87	1-B 14	7883267	51	1-B 11						
70923219	21	1-B 8	7883267	81	1-B 14						
70923220	67	1-B 12	7883317	81	1-B 14						
70923240	21	1-B 8	7883317	83	1-B 14						
70923737	23	1-B 8	7883325	37	1-B 9						
70924136	55	1-B 11	7883325	39	1-B 9						
70924290	87	1-B 14	7883325	51	1-B 11						
70924741	65	1-B 12	7883325	55	1-B 11						
70925246	51	1-B 11	7883325	57	1-B 11						
70925442	95	1-B 15	7883325	67	1-B 12						
70925617	51	1-B 11	7883325	69	1-B 12						
70925731	47	1-B 10	7883325	71	1-B 13						
70925864	9	1-B 6	7883325	73	1-B 13						
70926164	21	1-B 8	7883325	75	1-B 13						
70927158	17	1-B 7	7883325	79	1-B 13						
70927522	37	1-B 9	7883325	81	1-B 14						
70928654	95	1-B 15	7883325	83	1-B 14						
70931209	51	1-B 11	7883325	95	1-B 15						
70931277	51	1-B 11	7883325	99	1-B 15						
70931333	51	1-B 11	7883333	55	1-B 11						

INDEX

Part No.	Page	Grid	Part No.	Page	Grid	Part No.	Page	Grid	Part No.	Page	Grid
----------	------	------	----------	------	------	----------	------	------	----------	------	------



**DKHC ROTARY HEADER CONDITIONER-ROLLER**

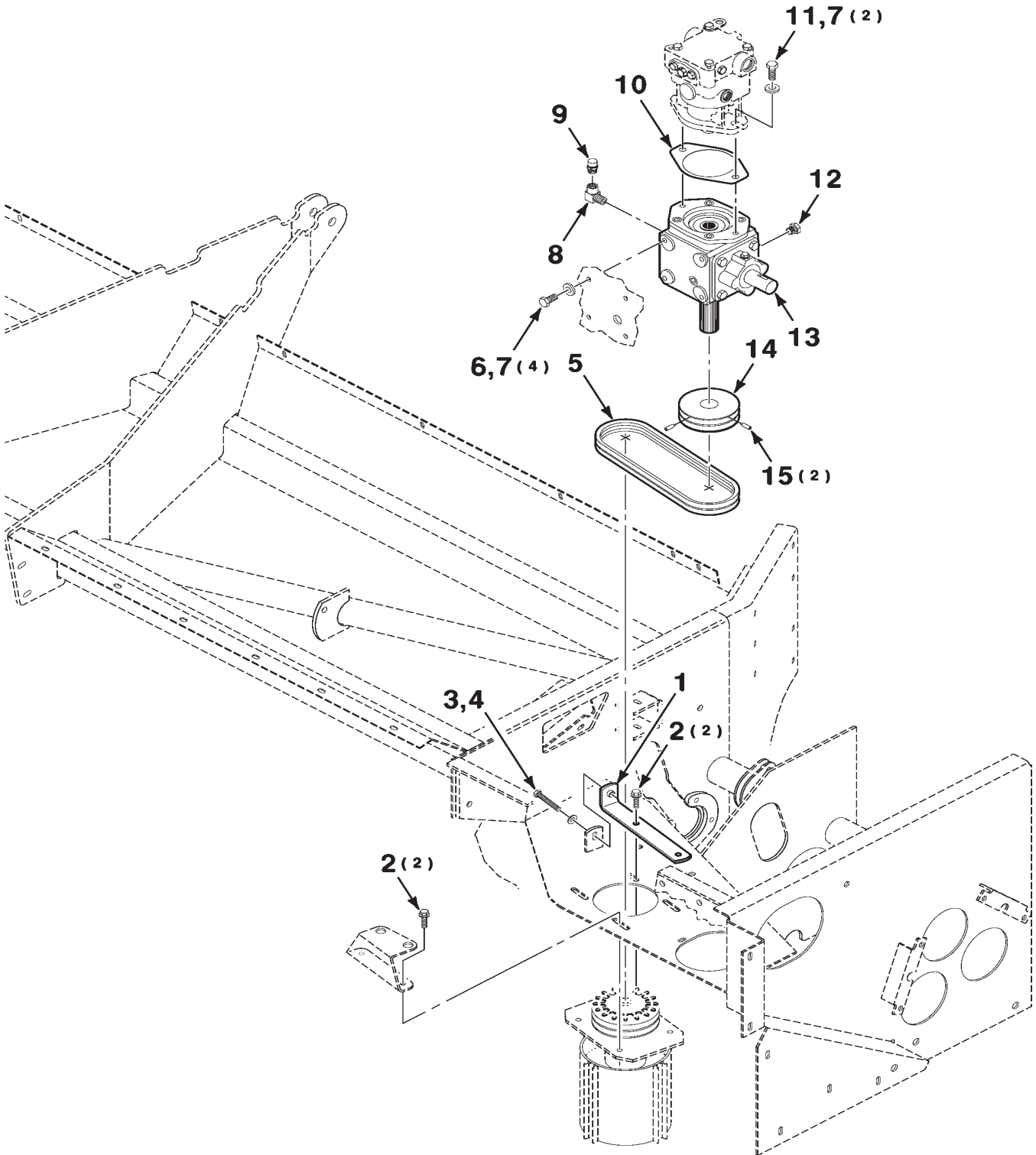
**7  
INDEX**

Part No.	Page	Grid	Part No.	Page	Grid	Part No.	Page	Grid	Part No.	Page	Grid
----------	------	------	----------	------	------	----------	------	------	----------	------	------

HEADER DRIVE-LEFT

HEADER DRIVE-LEFT

---



DKHC ROTARY HEADER CONDITIONER-ROLLER  
DRIVES

9

HEADER DRIVE-LEFT

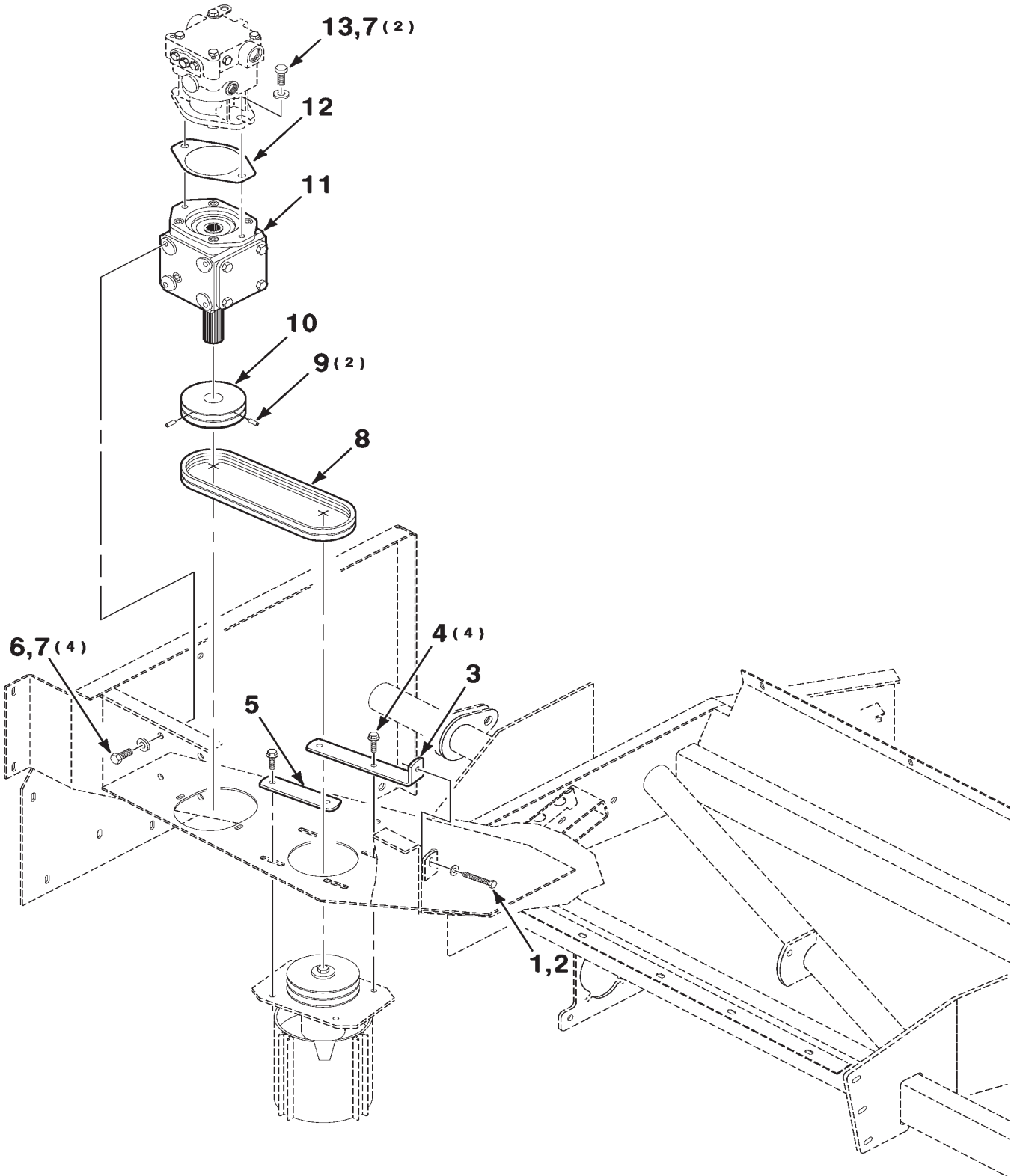
ITEM	NUMBER	QTY	DESCRIPTION
1	700149881P	1	ANGLE-ASSEMBLY
2	7883408	4	3/8-16 X 1-1/4 HFS GR8
3	873141	1	3/8-16 X 2-1/2 FTC
4	Y705533	1	3/8 HARDENED PLAIN WASHER
5	700714715	1	V-BELT (Matched Set of Two)
6	70923114	4	1/2-13 X 1 C
7	705541	6	1/2 HARDENED PLAIN WASHER
8	70925864	1	3/8-18 X 900 ELBOW
9	700712886	1	BREATHER
10	700714841	1	GASKET
11	70921176	2	1/2-13 X 1-1/4 C
12	700714032	1	GAUGE-VIEW
13	700717706	1	GEARBOX ASSEMBLY
14	700130652C	1	SHEAVE
15	Y708230	2	5/16-18 X 3/4 HEX SOCKET SET SCREW, NON PLATED

700158616-1

HEADER DRIVE-RIGHT

HEADER DRIVE-RIGHT

---



**DKHC ROTARY HEADER CONDITIONER-ROLLER  
DRIVES**

11

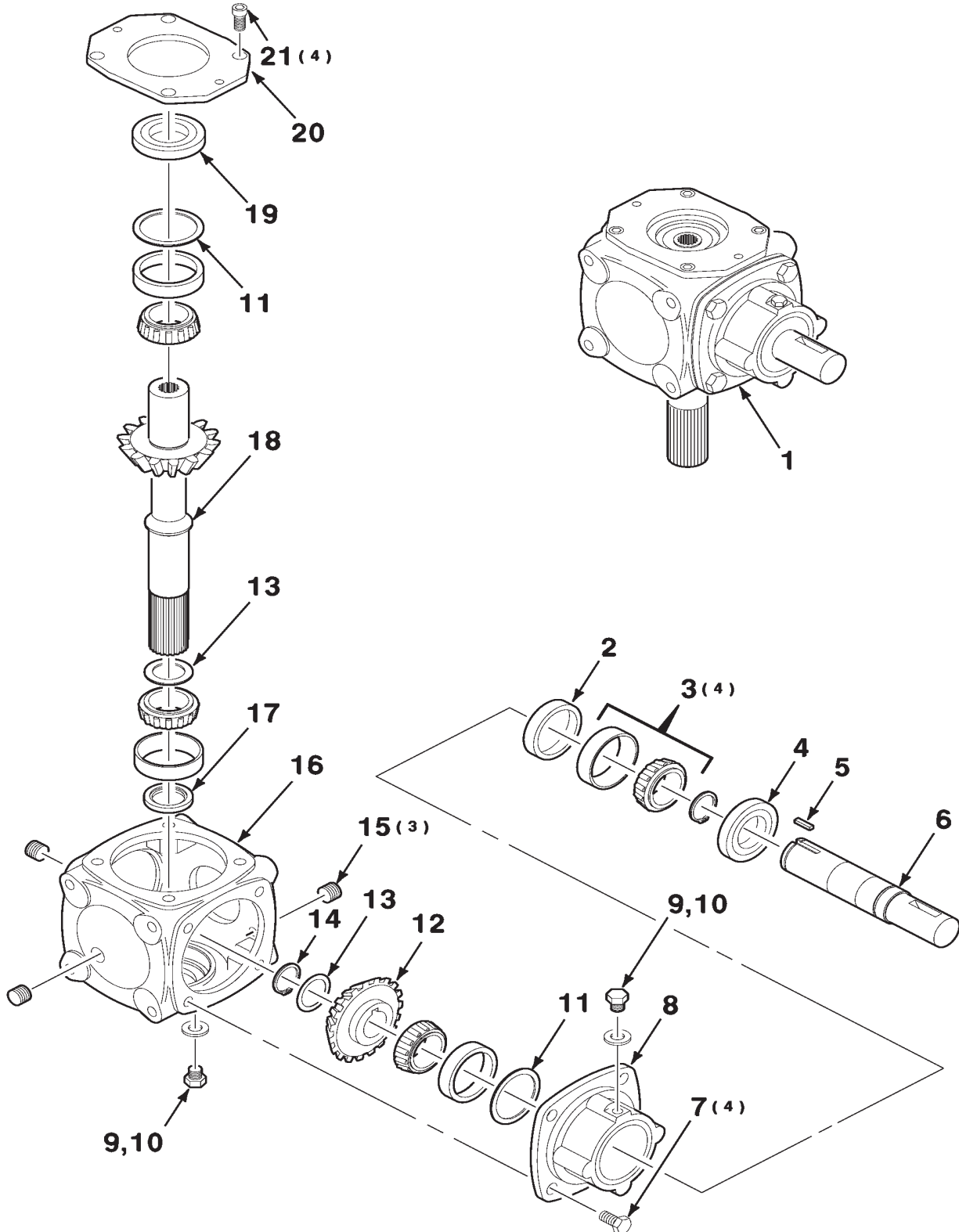
**HEADER DRIVE-RIGHT**

ITEM	NUMBER	QTY	DESCRIPTION
1	873141	1	3/8-16 X 2-1/2 FTC
2	Y705533	1	3/8 HARDENED PLAIN WASHER
3	700149881P	1	ANGLE-ASSEMBLY
4	7883408	4	3/8-16 X 1-1/4 HFS GR8
5	700149982P	1	STRAP
6	70923114	4	1/2-13 X 1 C
7	705541	6	1/2 HARDENED PLAIN WASHER
8	700714715	1	V-BELT (Matched Set of Two)
9	Y708230	2	5/16-18 X 3/4 HEX SOCKET SET SCREW, NON PLATED
10	700130652C	1	SHEAVE
11	700722693	1	HOUSING ASSEMBLY
12	700714841	1	GASKET
13	70921176	2	1/2-13 X 1-1/4 C

700158616-2

GEARBOX ASSEMBLY  
(700717706 GEARBOX ASSEMBLY)

**GEARBOX ASSEMBLY**  
(700717706 GEARBOX ASSEMBLY)



**DKHC ROTARY HEADER CONDITIONER-ROLLER  
DRIVES**

**13**

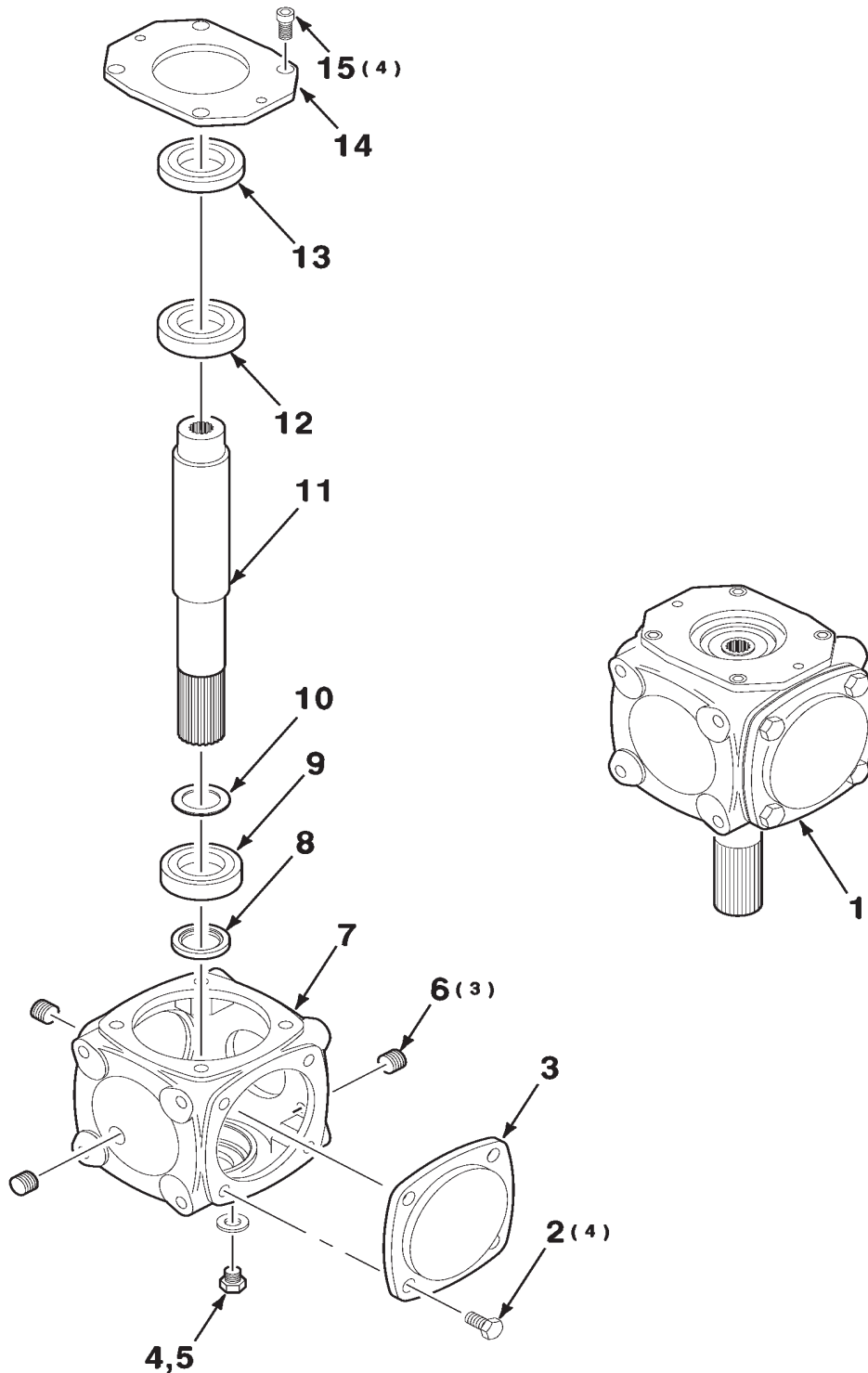
**GEARBOX ASSEMBLY  
(700717706 GEARBOX ASSEMBLY)**

ITEM	NUMBER	QTY	DESCRIPTION
1	700717706	1	GEARBOX ASSEMBLY
2	700713541	1	SPACER
3	700712361	4	BEARING ASSEMBLY-TAPERED
4	700725120	1	SEAL-OIL
5	700713547	1	10 X 8 X 25 KEY-PARALLEL
6	700713546	1	SHAFT
7	7703275	4	M12 X 25 BOLT, CLASS 8.8
8	700713543	1	EXTENSION
9	700714123	2	M8 X 10 BOLT, CLASS 8.8
10	700714122	2	M8 COPPER WASHER
11	700712378	2	SHIM PACK 71.7 mm
12	700713536	1	GEAR Z19 M5
13	700712360	2	SHIM PACK 48.0 mm
14	700712388	1	SNAP RING
15	700712200	3	PLUG
16	700713539	1	CASING
17	700723123	1	SEAL-OIL
18	700718337	1	SHAFT-PINION
19	700712362	1	SEAL-OIL
20	700718339	1	FLANGE
21	700718336	4	M12 X 30 BOLT

700717706-0

HOUSING ASSEMBLY  
(700722693-HOUSING ASSEMBLY)

**HOUSING ASSEMBLY**  
**(700722693-HOUSING ASSEMBLY)**





**DKHC ROTARY HEADER CONDITIONER-ROLLER  
DRIVES**

15

**HOUSING ASSEMBLY  
(700722693-HOUSING ASSEMBLY)**

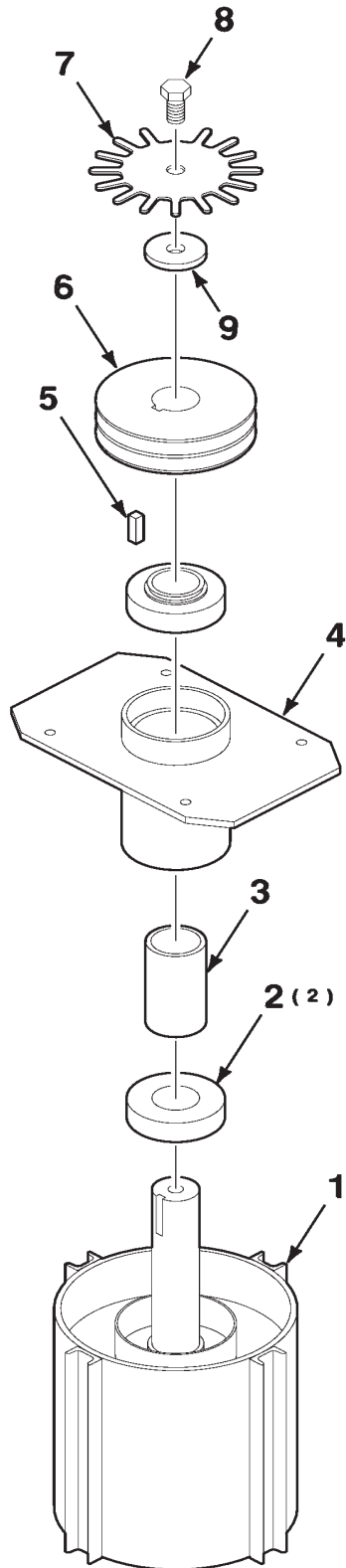
ITEM	NUMBER	QTY	DESCRIPTION
1	700722693	1	HOUSING ASSEMBLY
2	7703275	4	M12 X 25 BOLT, CLASS 8.8
3	700723797	1	COVER
4	700714123	1	M8 X 10 BOLT, CLASS 8.8
5	700714122	1	M8 COPPER WASHER
6	700712200	3	PLUG
7	700713539	1	CASING
8	700723123	1	SEAL-OIL
9	700712383	1	BEARING
10	700712360	1	SHIM PACK 48.0 mm
11	700723799	1	SHAFT
12	700723798	1	BEARING
13	700712362	1	SEAL-OIL
14	700718339	1	FLANGE
15	700722848	4	M12 X 30 BOLT

700722693-0

HEADER DRIVE CAGE ASSEMBLY-LEFT

HEADER DRIVE CAGE ASSEMBLY-LEFT

---



DKHC ROTARY HEADER CONDITIONER-ROLLER  
DRIVES

17

HEADER DRIVE CAGE ASSEMBLY-LEFT

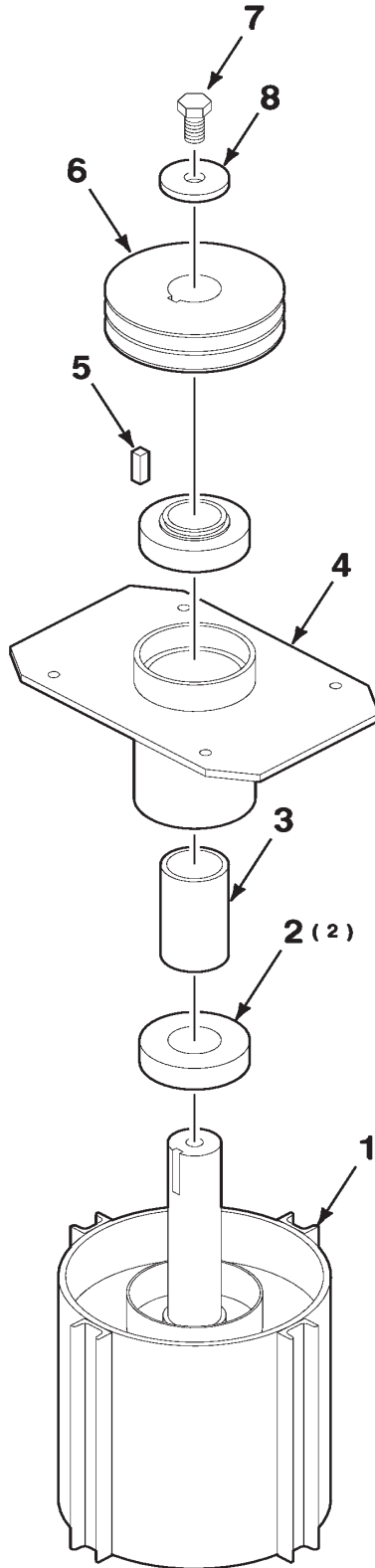
ITEM	NUMBER	QTY	DESCRIPTION
1	700160910P	1	CAGE WA
2	8050080	2	BEARING-CYLINDRICAL
3	700160909C	1	TUBE-SPACER
4	700160907C	1	SUPPORT WA
5	Y761239	1	5/16 X 15/16 KEY
6	700149890C	1	SHEAVE
7	700158630C	1	DISC-SENSOR
8	70927158	1	1/2-20 X 1 C
9	282269C	1	WASHER

700158629-0

HEADER DRIVE CAGE ASSEMBLY-RIGHT

HEADER DRIVE CAGE ASSEMBLY-RIGHT

---



DKHC ROTARY HEADER CONDITIONER-ROLLER  
DRIVES

19

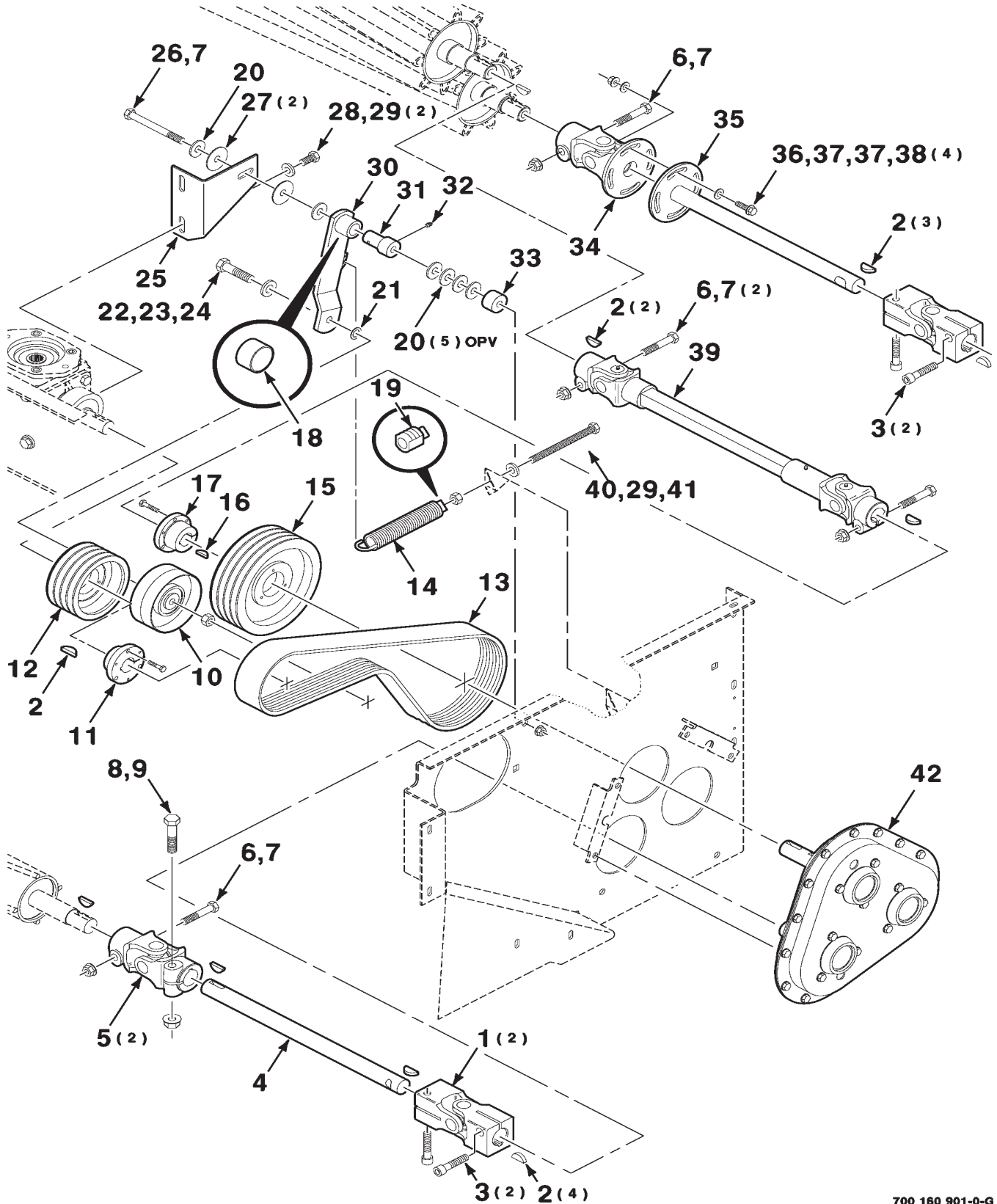
HEADER DRIVE CAGE ASSEMBLY-RIGHT

ITEM	NUMBER	QTY	DESCRIPTION
1	700160910P	1	CAGE WA
2	8050080	2	BEARING-CYLINDRICAL
3	700160909C	1	TUBE-SPACER
4	700160907C	1	SUPPORT WA
5	Y761239	1	5/16 X 15/16 KEY
6	700149890C	1	SHEAVE
7	70927158	1	1/2-20 X 1 C
8	282269C	1	WASHER

700158777-0

HAY CONDITIONER DRIVE

HAY CONDITIONER DRIVE



**DKHC ROTARY HEADER CONDITIONER-ROLLER  
DRIVES**

21

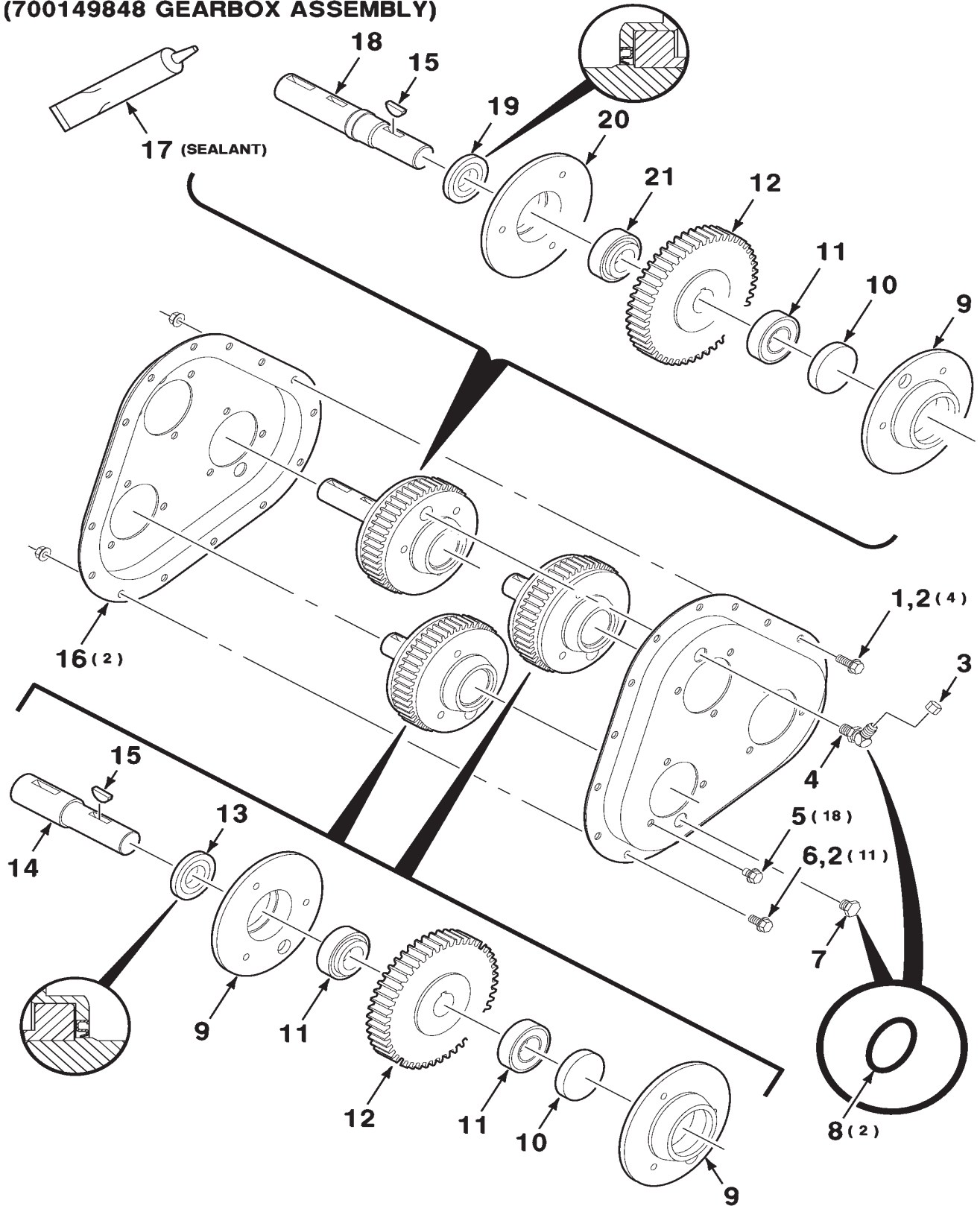
**HAY CONDITIONER DRIVE**

ITEM	NUMBER	QTY	DESCRIPTION
1	700713437	2	U-JOINT ASSEMBLY
2	Y761197	10	5/16 X 1-3/8 KEY-WOODRUFF
3	70917467	4	3/8-16 X 1-3/4 HSHCS, SPECIAL
4	700149855P	1	SHAFT
5	700715721	2	U-JOINT ASSEMBLY
6	70923240	4	1/2-13 X 2-3/4 C
7	704254	5	1/2-13 HFSLN
8	70926164	1	5/8-11 X 2-3/4 C
9	7774458	1	5/8-11 HFSLN
10	853804	1	IDLER-FLAT
11	700721269	1	BUSHING-TAPERED, SPECIAL
12	700160921C	1	SHEAVE-DRIVER
13	700721267	1	V-BELT, 4HA POWERBAND
14	6189971C	1	SPRING ASSEMBLY (Includes Item 19)
15	700160920C	1	SHEAVE-DRIVEN
16	29780X	1	1/4 X 1 KEY-WOODRUFF, SPECIAL
17	700721268	1	BUSHING-TAPERED, SPECIAL
18	740217	1	BUSHING-OILITE
19	6189989	1	PLUG-SPRING
20	700711557	6	1/2 HARDENED WIDE PLAIN WASHER
21	52175	1	5/8 X 18 GA NRMB
22	7701659	1	5/8-11 X 2-1/2 C
23	Y705582	1	5/8 HARDENED PLAIN WASHER
24	70932665	1	5/8-11 H
25	700149857C	1	SUPPORT-IDLER ARM
26	70920272	1	1/2-13 X 5 C
27	700712881	2	1/2 WASHER-FENDER
28	70923114	2	1/2-13 X 1 C
29	705541	3	1/2 HARDENED PLAIN WASHER
30	700130247C	1	ARM ASSEMBLY (Includes Item 18)
31	700130238	1	BUSHING
32	70923219	1	1/4-28 ZERK
33	6235071B	1	SPACER
34	700721265	1	U-JOINT, TIMING
35	700160917C	1	FLANGE WA
36	7883408	4	3/8-16 X 1-1/4 HFS GR8
37	Y705533	8	3/8 HARDENED PLAIN WASHER
38	Y704734	4	3/8-16 HFTLN GR/G
39	700705407	1	U-JOINT ASSEMBLY
40	873513	1	1/2-13 X 6 FTC
41	704031	1	1/2-13 H
42	700149848	1	GEARBOX ASSEMBLY

700160901-0

GEARBOX ASSEMBLY  
(700149848 GEARBOX ASSEMBLY)

**GEARBOX ASSEMBLY**  
**(700149848 GEARBOX ASSEMBLY)**





**DKHC ROTARY HEADER CONDITIONER-ROLLER  
DRIVES**

23

**GEARBOX ASSEMBLY  
(700149848 GEARBOX ASSEMBLY)**

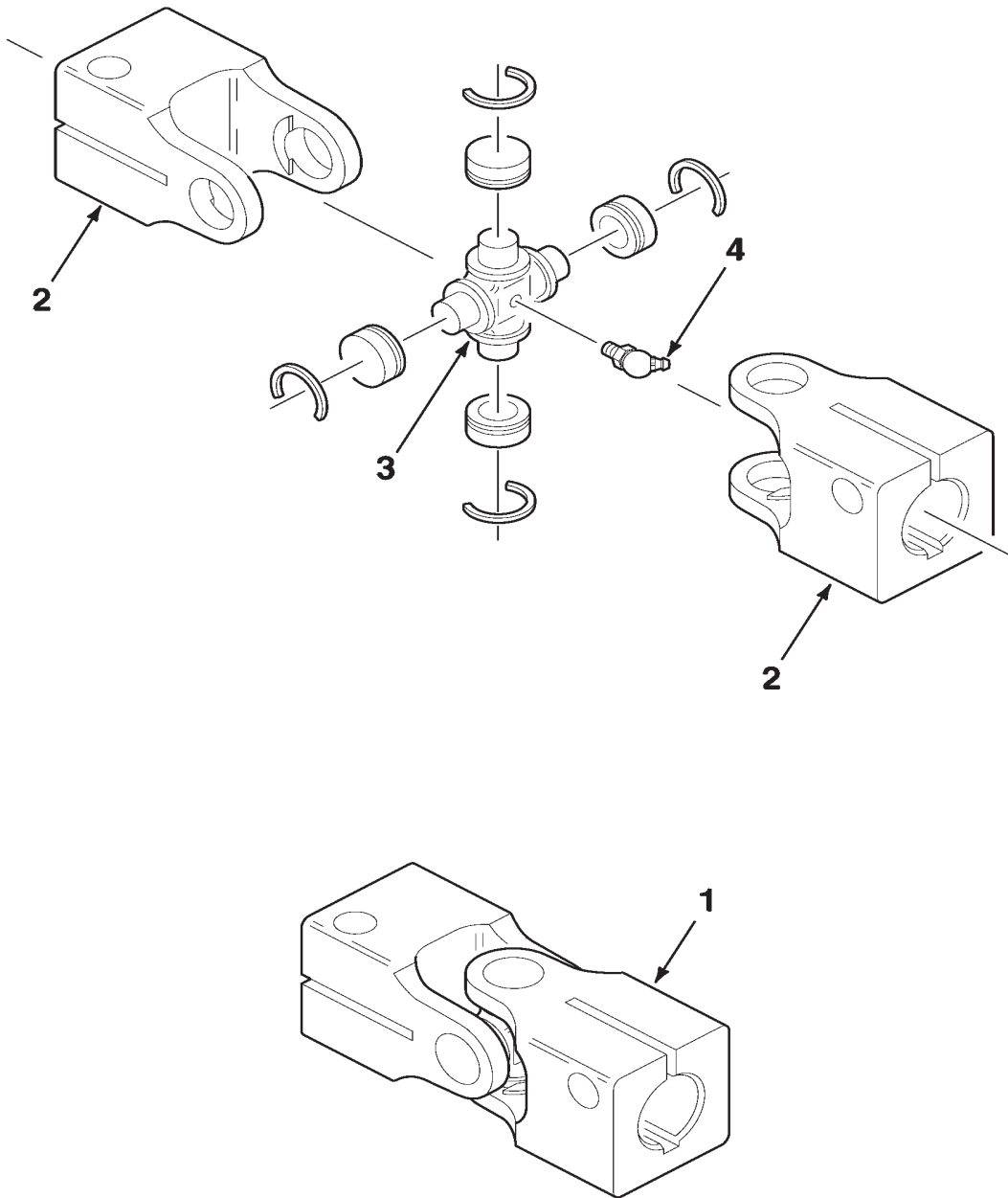
ITEM	NUMBER	QTY	DESCRIPTION
-	700149848	1	GEARBOX ASSEMBLY
1	7883382	4	3/8-16 X 1 HWHMS
2	704247	15	3/8-16 HFSLN
3	70923737	1	CAP
4	70922507	1	3/4-16 X 3/4-16 X 450 ELBOW (Includes Item 8)
5	7883366	18	3/8-16 X 1/2 HWHMS
6	7883374	11	3/8-16 X 3/4 HWHMS
7	70921573	1	3/4-16 ORB PLUG (Includes Item 8)
8	70921349	2	.644 I.D. O-RING
9	700130244	3	RETAINER-BEARING
10	700712677	2	PLUG
11	70590610	3	BEARING-CYLINDRICAL
12	700721835	2	GEAR
13	7044951	1	SEAL-OIL
14	700130246	1	SHAFT-LOWER
15	29780X	2	1/4 X 1 KEY-WOODRUFF, SPECIAL
16	700149850P	2	GEARCASE-HALF
17	700716946	1	SEALANT-13 OZ TUBE
18	700130243	1	SHAFT-UPPER
19	700708327	1	SEAL
20	700130303	1	RETAINER-BEARING
21	710871	1	BEARING-CYLINDRICAL

700149848-0

U-JOINT ASSEMBLY  
(700713437 U-JOINT ASSEMBLY)

**U-JOINT ASSEMBLY**  
**(700713437 U-JOINT ASSEMBLY)**

---



**DKHC ROTARY HEADER CONDITIONER-ROLLER  
DRIVES**

**25**

**U-JOINT ASSEMBLY  
(700713437 U-JOINT ASSEMBLY)**

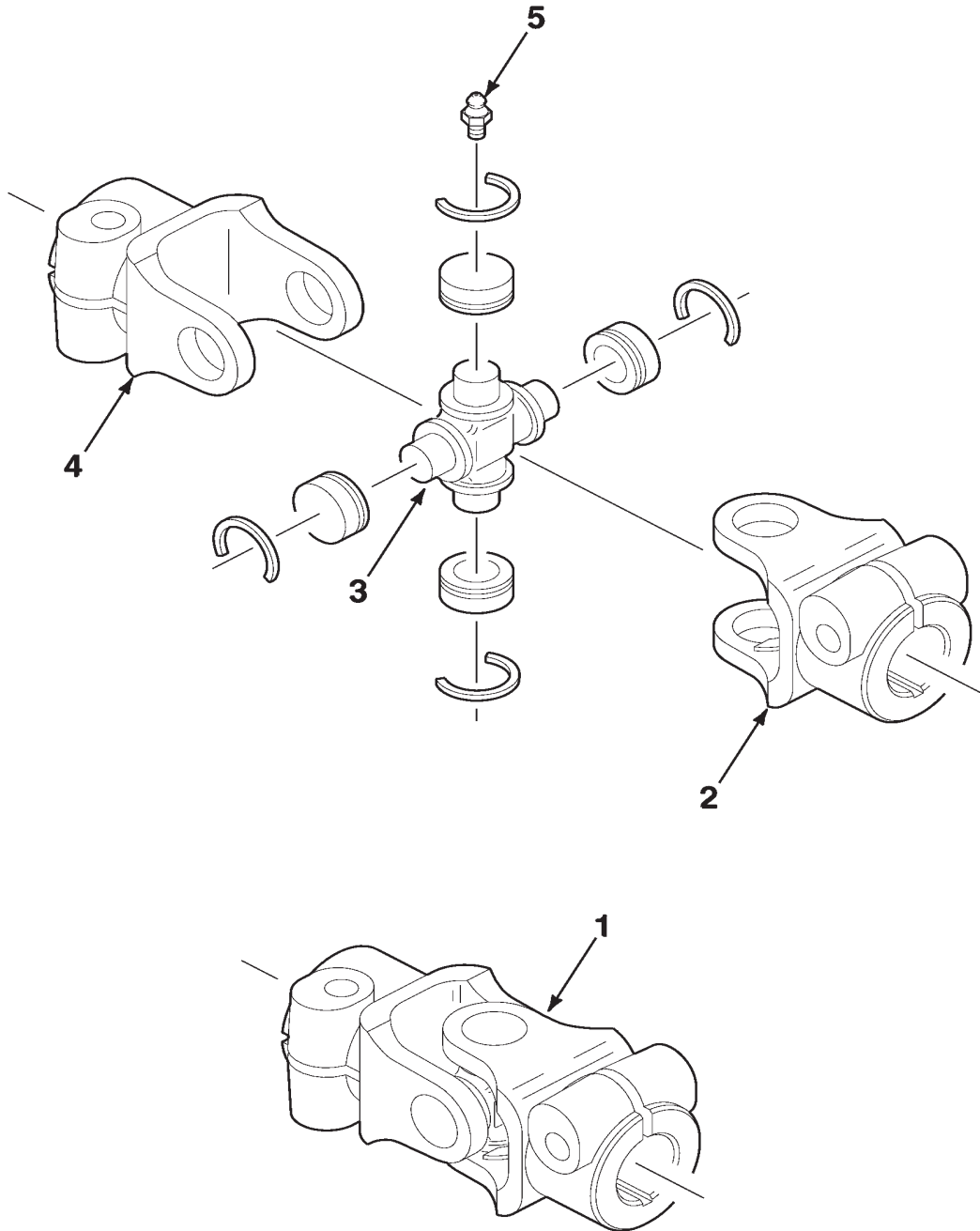
ITEM	NUMBER	QTY	DESCRIPTION
1	700713437	1	U-JOINT ASSEMBLY
2	700713472	2	YOKE
3	30366E91	1	CROSS AND BEARING KIT (Includes Item 4)
4	70915275	1	1/8-27 X 650 ZERK

700713437-0

U-JOINT ASSEMBLY  
(700715721 U-JOINT ASSEMBLY)

**U-JOINT ASSEMBLY**  
**(700715721 U-JOINT ASSEMBLY)**

---



**DKHC ROTARY HEADER CONDITIONER-ROLLER  
DRIVES**

**27**

**U-JOINT ASSEMBLY  
(700715721 U-JOINT ASSEMBLY)**

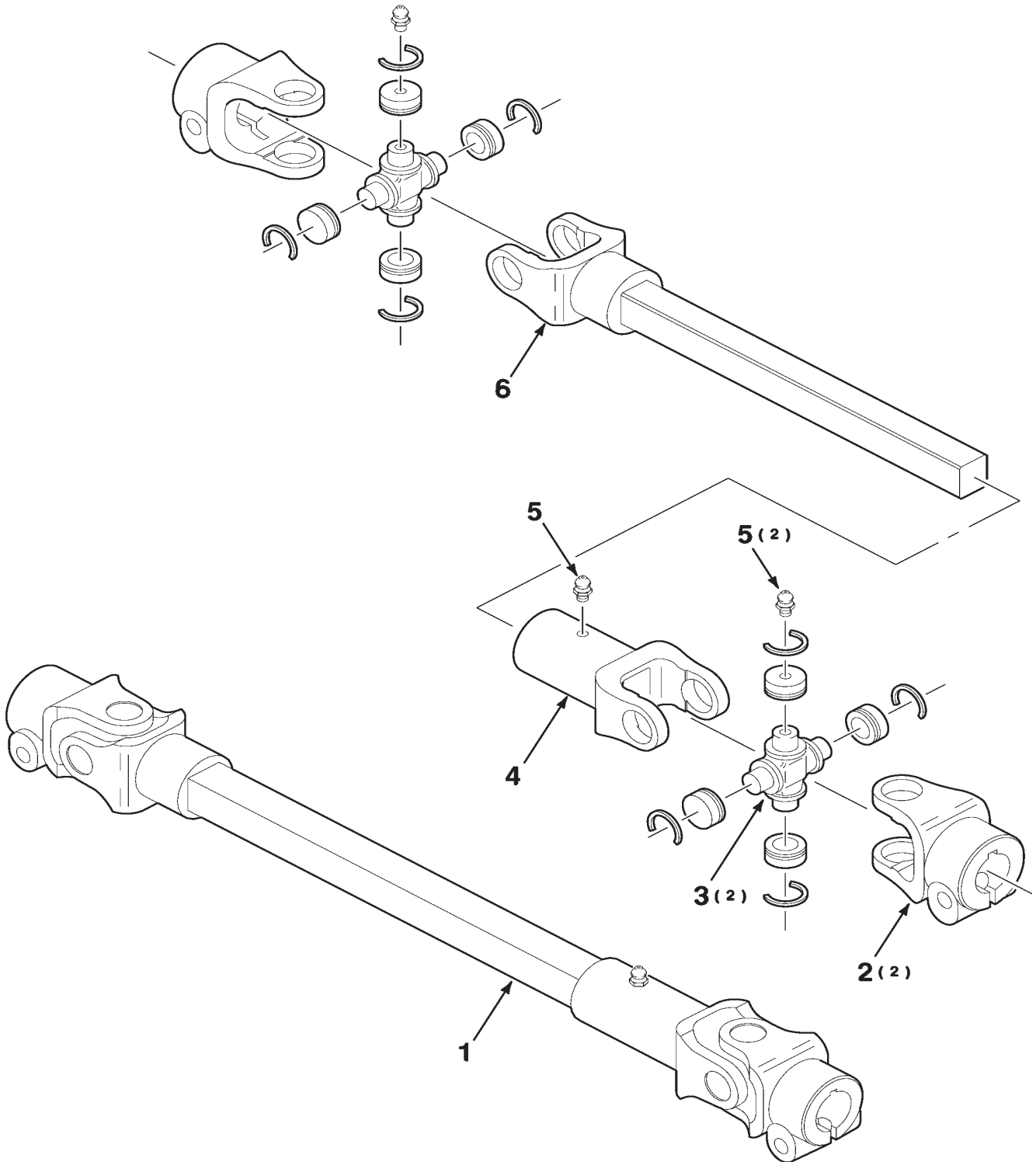
ITEM	NUMBER	QTY	DESCRIPTION
1	700715721	1	U-JOINT ASSEMBLY
2	757716	1	YOKE
3	700711843	1	CROSS AND BEARING KIT (Includes Item 5)
4	700705535	1	YOKE
5	70914687	1	1/4-28ZERK

700715721-0

U-JOINT ASSEMBLY-UPPER H/C DRIVE  
(700713409 U-JOINT ASSEMBLY)

U-JOINT ASSEMBLY-UPPER H/C DRIVE  
(700713409 U-JOINT ASSEMBLY)

---



**DKHC ROTARY HEADER CONDITIONER-ROLLER  
DRIVES**

**29**

**U-JOINT ASSEMBLY-UPPER H/C DRIVE  
(700713409 U-JOINT ASSEMBLY)**

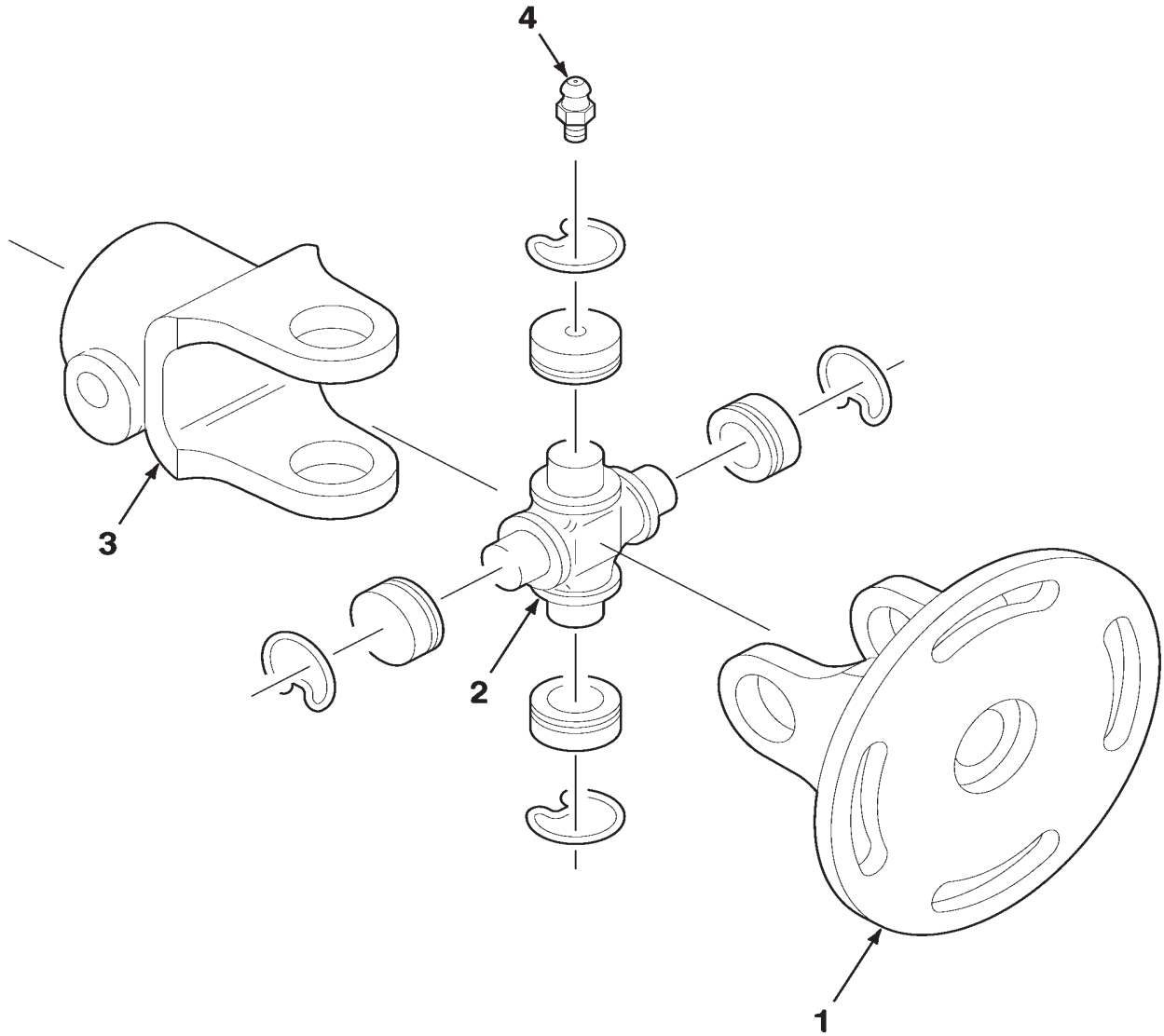
ITEM	NUMBER	QTY	DESCRIPTION
1	700705407	1	U-JOINT ASSEMBLY
2	757716	2	YOKE-CLAMP
3	700711843	2	CROSS AND BEARING KIT (Includes Item 5)
4	700704955	1	YOKE-SLIP
5	70923219	3	1/4-28 ZERK
6	700704954	1	YOKE AND SHAFT

700713409-0

U-JOINT ASSEMBLY-TIMING  
(700721265 U-JOINT ASSEMBLY)

**U-JOINT ASSEMBLY-TIMING**  
**(700721265 U-JOINT ASSEMBLY)**

---





**DKHC ROTARY HEADER CONDITIONER-ROLLER  
DRIVES**

**31**

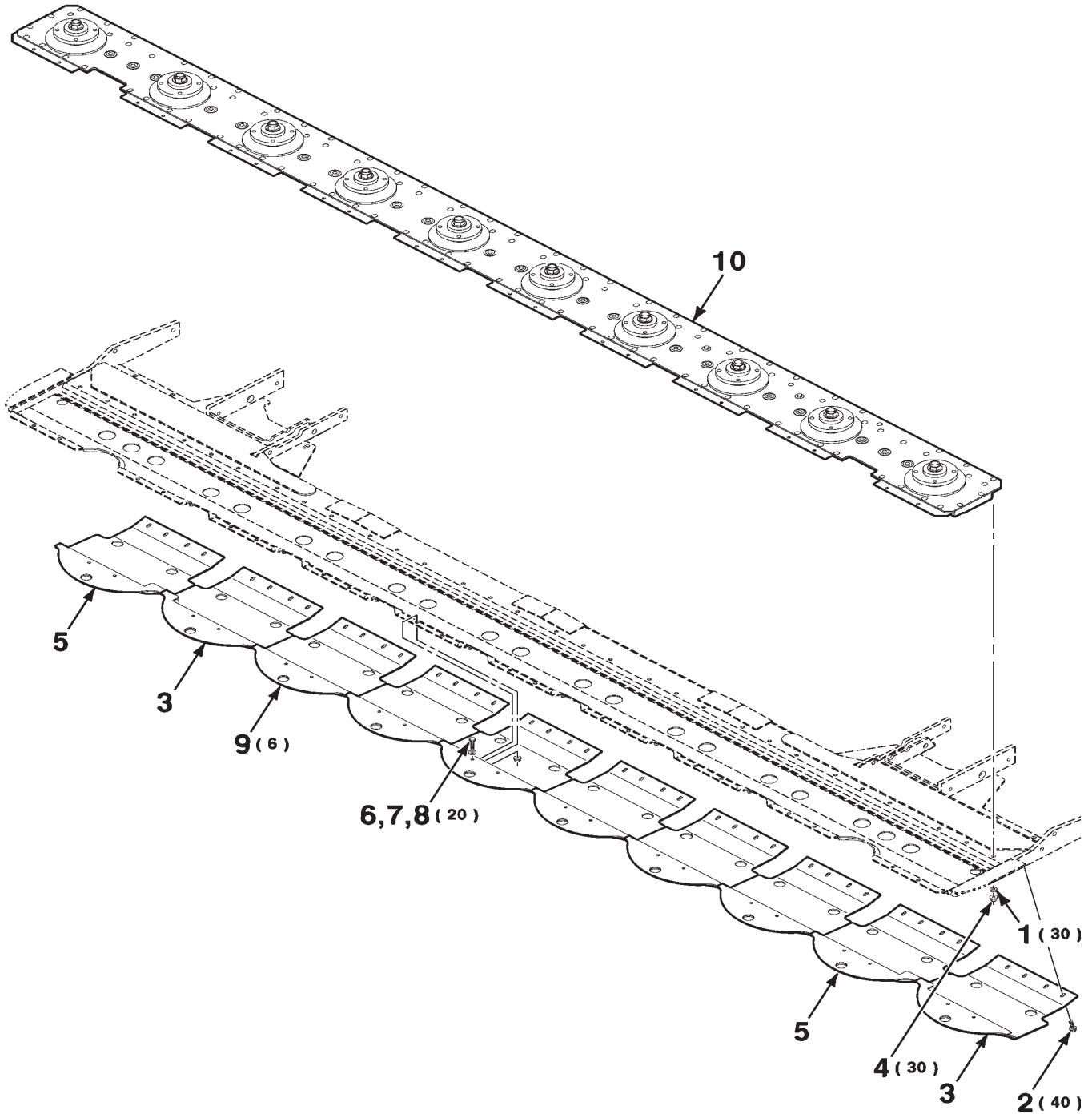
**U-JOINT ASSEMBLY-TIMING  
(700721265 U-JOINT ASSEMBLY)**

ITEM	NUMBER	QTY	DESCRIPTION
-	700721265	1	U-JOINT ASSEMBLY
1	700721607	1	YOKE AND FLANGE
2	700711843	1	CROSS AND BEARING KIT (Includes Item 4)
3	757716	1	YOKE
4	70914687	1	ZERK 1/4-28

700721265-0

CUTTER BAR, ROCK GUARDS AND SKID SHOES

CUTTER BAR, ROCK GUARDS AND SKID SHOES



DKHC ROTARY HEADER CONDITIONER-ROLLER  
CUTTER

33

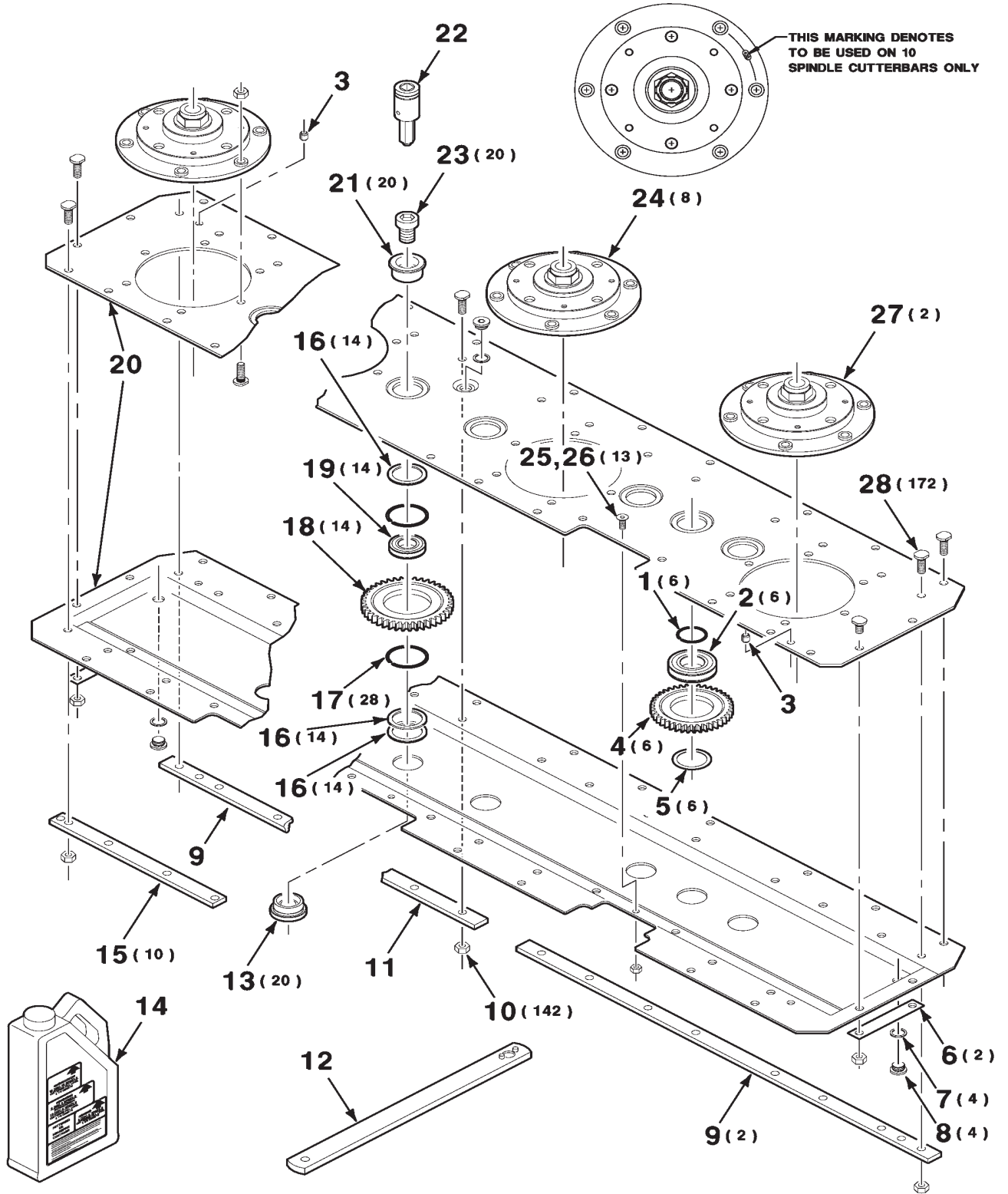
CUTTER BAR, ROCK GUARDS AND SKID SHOES

ITEM	NUMBER	QTY	DESCRIPTION
1	700149867	30	WASHER-HARDENED, SPECIAL
2	7883382	40	3/8-16 X 1 HWHMS
3	700163403	2	GUARD WA-ROCK, LEFT
4	7774664	30	M10 X 1.5 H CL10
5	700163404	2	GUARD WA-ROCK, RIGHT
6	70922605	20	3/8-16 X 1-1/4 C GR8, NON PLATED
7	Y705533	20	3/8 HARDENED PLAIN WASHER
8	Y704734	20	3/8-16 HFTLN GR/G
9	700163401	6	GUARD WA-ROCK, CENTER
10	700717697	1	CUTTER BAR ASSEMBLY

700163628-1

CUTTER BAR ASSEMBLY  
(700717697 CUTTER BAR ASSEMBLY)

**CUTTER BAR ASSEMBLY**  
**(700717697 CUTTER BAR ASSEMBLY)**



**DKHC ROTARY HEADER CONDITIONER-ROLLER  
CUTTER**

35

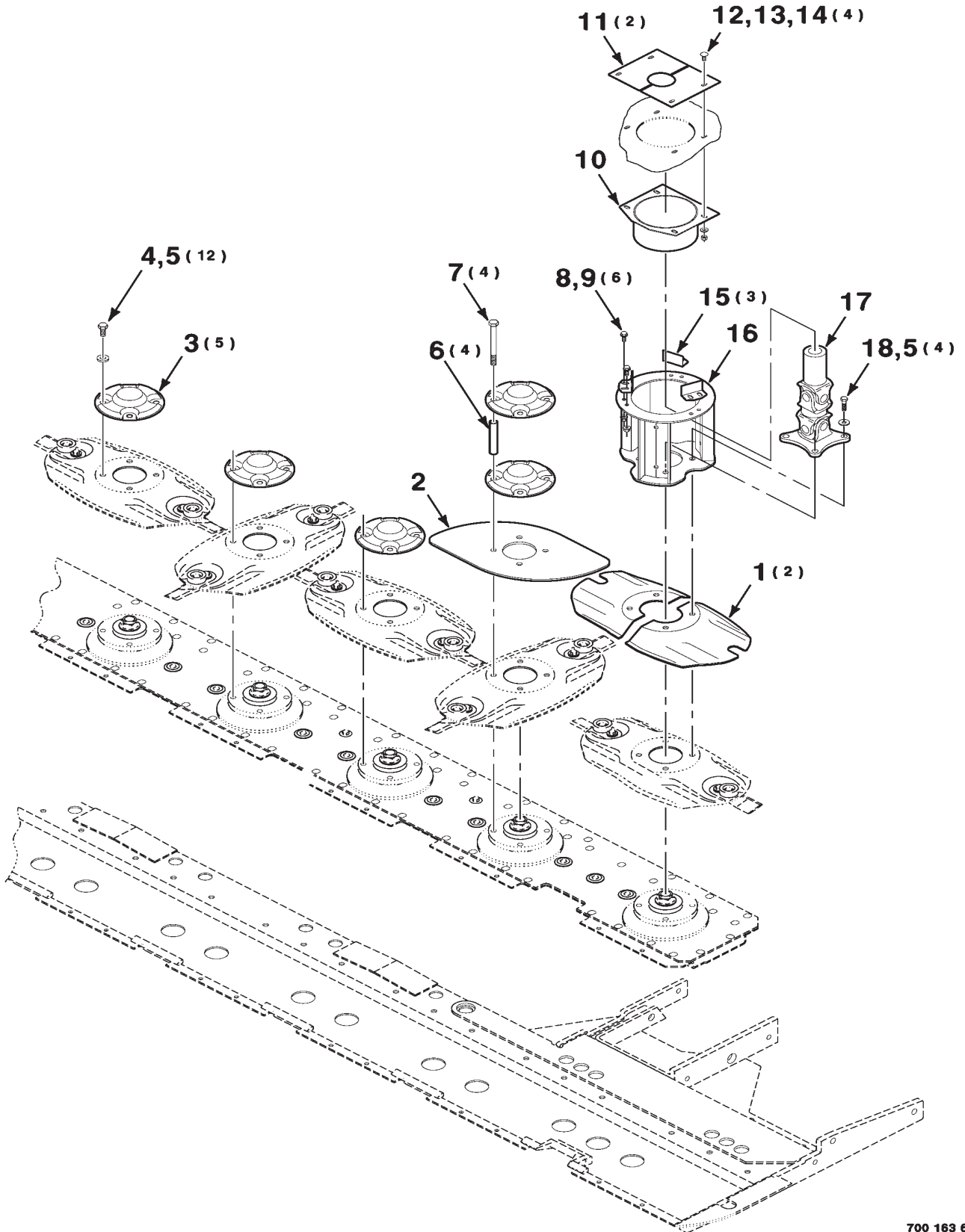
**CUTTER BAR ASSEMBLY  
(700717697 CUTTER BAR ASSEMBLY)**

ITEM	NUMBER	QTY	DESCRIPTION
-	700717697	1	CUTTER BAR ASSEMBLY
1	700718363	6	SNAP RING
2	700718362	6	BEARING
3	700712395	2	PIN-SPRING, M10 X 12
4	700718360	6	GEAR
5	700712418	6	SHIM 40.3 X 1.0
6	700718800	2	REINFORCEMENT-END
7	700712393	4	WASHER-COPPER
8	700712394	4	PLUG
9	700718345	2	REINFORCEMENT-BACK
10	7774664	142	M10 X 1.5 HEX NUT CLASS 10
11	700712396	1	REINFORCEMENT-BACK
12	700128266	1	WRENCH-SPANNER, EXTRA (DOES NOT COME WITH ASSEMBLY)
13	700718347	20	NUT
14	700149964	1	BOTTLE ASSEMBLY-EXTRA (DOES NOT COME WITH ASSEMBLY)
15	700712421	10	REINFORCEMENT-FRONT
16	700718349	42	SHIM
17	700712415	28	RING-RETAINING
18	700712420	14	GEAR
19	700726228	14	BEARING
20	700718356	1	CUTTERBED AND COVER
21	700718348	20	PIN
22	700127414	1	HEX KEY SOCKET-EXTRA (DOES NOT COME WITH ASSEMBLY)
23	700712417	20	M20 X 2.5 X 30 BOLT
24	700719597	8	SPINDLE ASSEMBLY-INNER
25	1441456X1	13	M8 X 1.25 X 20 BOLT, SPECIAL
26	1702893	13	M8 X 1.25 H
27	700719598	2	SPINDLE ASSEMBLY-OUTER
28	700712401	172	M10 X 1.5 X 30 SCREW

700717697-0

CUTTER DISC-LEFT

CUTTER DISC-LEFT



DKHC ROTARY HEADER CONDITIONER-ROLLER  
CUTTER

37

CUTTER DISC-LEFT

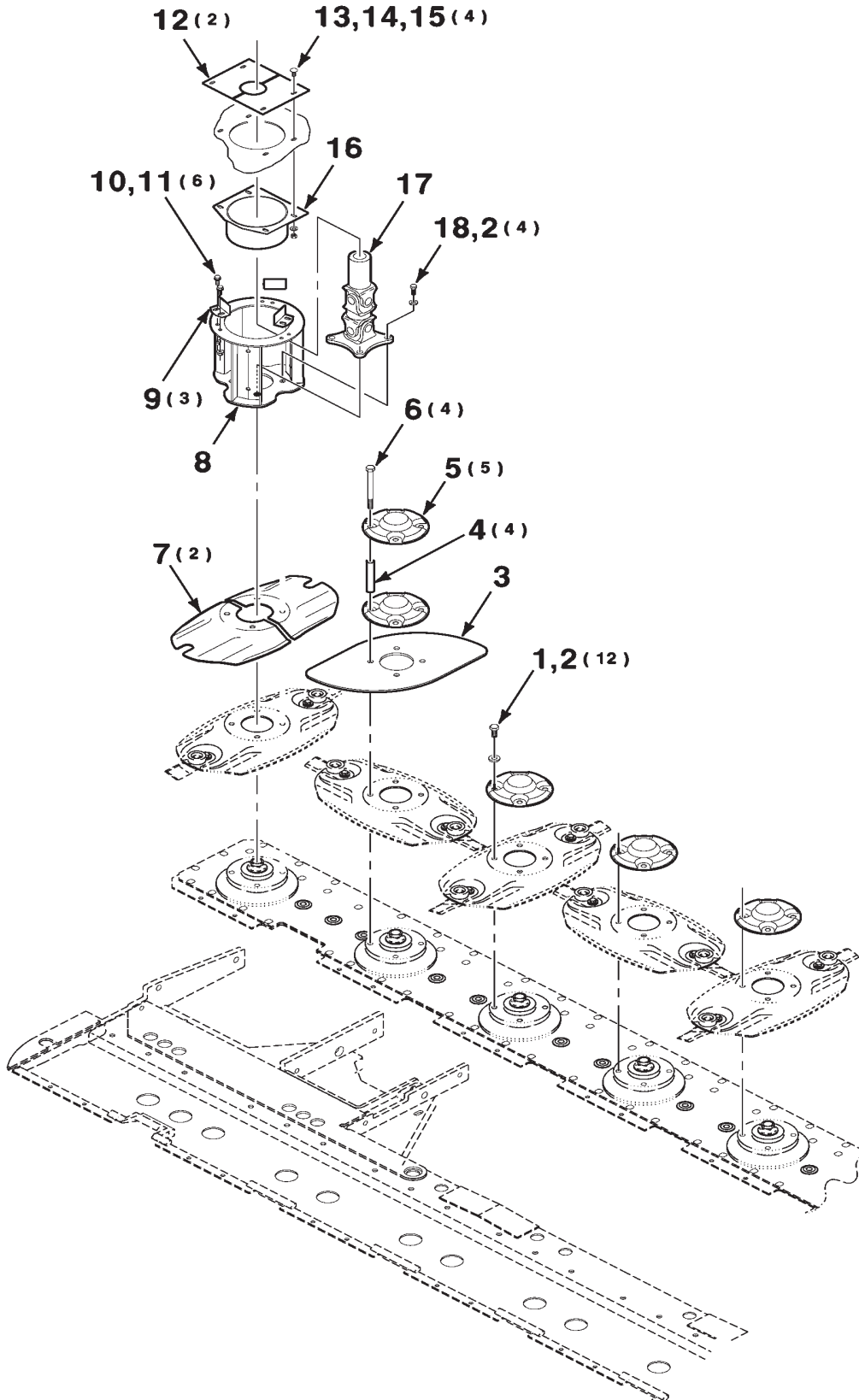
ITEM	NUMBER	QTY	DESCRIPTION
1	700717700	2	LIFTER
2	700149868C	1	SLINGER
3	700127062C	5	CAP-DISC
4	70927158	12	1/2-20 X 1 C
5	705541	16	1/2 HARDENED PLAIN WASHER
6	6559314C	4	SPACER
7	773051	4	1/2-20 X 5 C
8	7883325	6	5/16-18 X 3/4 HWHMS
9	Y704726	6	5/16-18 HFTLN GR/G
10	700156111C	1	SHIELD WA
11	700160896C	2	COVER
12	7700578	4	5/16-18 X 1 RHSNB
13	Y705525	4	5/16 HARDENED PLAIN WASHER
14	Y704015	4	5/16-18 H
15	700160897C	3	ANGLE-FIN
16	700156515C	1	CAGE WA
17	700721264	1	U-JOINT ASSEMBLY
18	70927522	4	1/2-20 X 1-3/4 C

700163628-2

CUTTER DISC-RIGHT

CUTTER DISC-RIGHT

---





DKHC ROTARY HEADER CONDITIONER-ROLLER  
CUTTER

39

CUTTER DISC-RIGHT

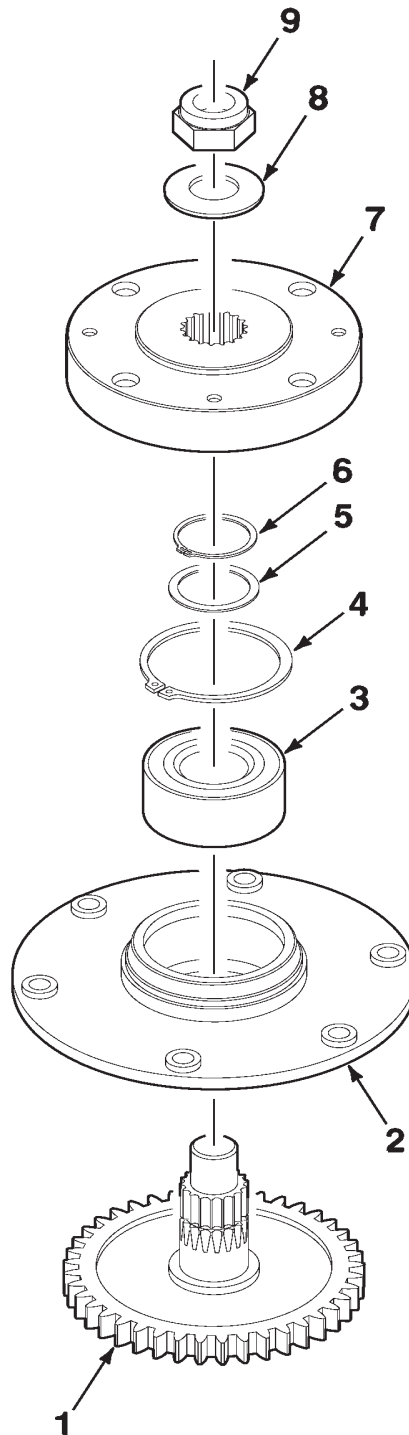
ITEM	NUMBER	QTY	DESCRIPTION
1	70927158	12	1/2-20 X 1 C
2	705541	16	1/2 HARDENED PLAIN WASHER
3	700149868C	1	SLINGER
4	6559314C	4	SPACER
5	700127062C	5	CAP-DISC
6	773051	4	1/2-20 X 5 C
7	700717700	2	LIFTER
8	700156515C	1	CAGE WA
9	700160897C	3	ANGLE-FIN
10	7883325	6	5/16-18 X 3/4 HWHMS
11	Y704726	6	5/16-18 HFTLN GR/G
12	700160896C	2	COVER
13	7700578	4	5/16-18 X 1 RHSNB
14	Y705525	4	5/16 HARDENED PLAIN WASHER
15	Y704015	4	5/16-18 H
16	700156111C	1	SHIELD WA
17	700721264	1	U-JOINT ASSEMBLY
18	70927522	4	1/2-20 X 1-3/4 C

700163628-3

SPINDLE ASSEMBLY (INNER)  
(700719597 SPINDLE ASSEMBLY-INNER)

**SPINDLE ASSEMBLY (INNER)**  
**(700719597 SPINDLE ASSEMBLY-INNER)**

---



DKHC ROTARY HEADER CONDITIONER-ROLLER  
CUTTER

41

**SPINDLE ASSEMBLY (INNER)**  
(700719597 SPINDLE ASSEMBLY-INNER)

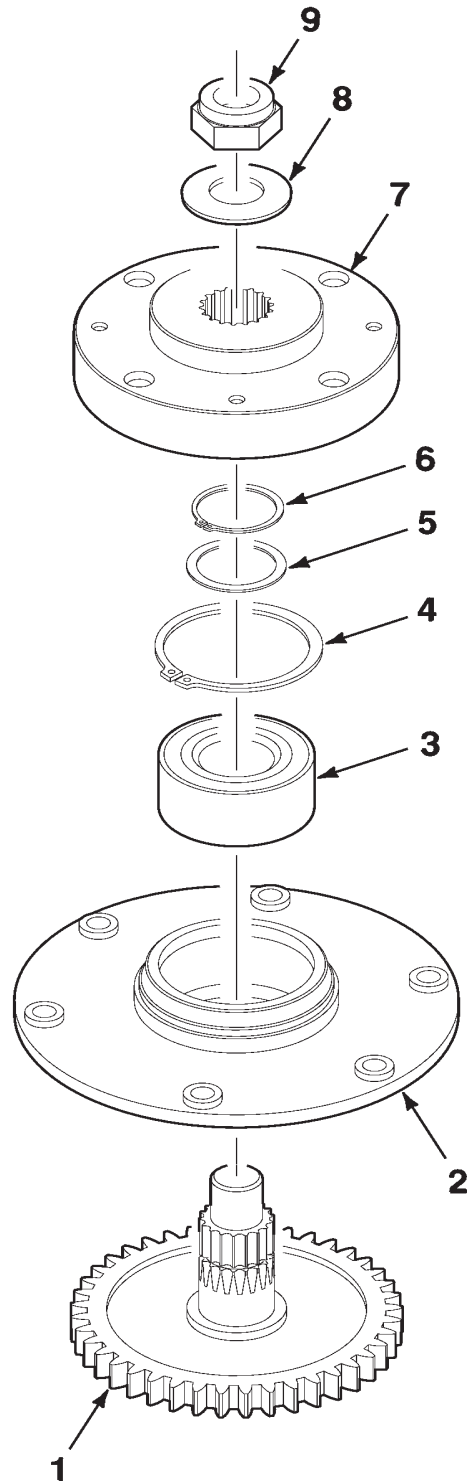
ITEM	NUMBER	QTY	DESCRIPTION
-	700719597	1	SPINDLE ASSEMBLY-INNER
1	700713467	1	GEAR-INBOARD
2	700718801	1	MOUNTING
3	700714310	1	BEARING
4	700712375	1	RING-RETAINING
5	700718350	1	SHIM
6	700713471	1	RING-RETAINING
7	700718352	1	FLANGE-INBOARD
8	700712409	1	WASHER-BELLEVILLE
9	700712408	1	LOCKNUT, M24 X 3

700719597-0

SPINDLE ASSEMBLY (OUTER)  
(700719598 SPINDLE ASSEMBLY-OUTER)

**SPINDLE ASSEMBLY (OUTER)**  
**(700719598 SPINDLE ASSEMBLY-OUTER)**

---



DKHC ROTARY HEADER CONDITIONER-ROLLER  
CUTTER

43

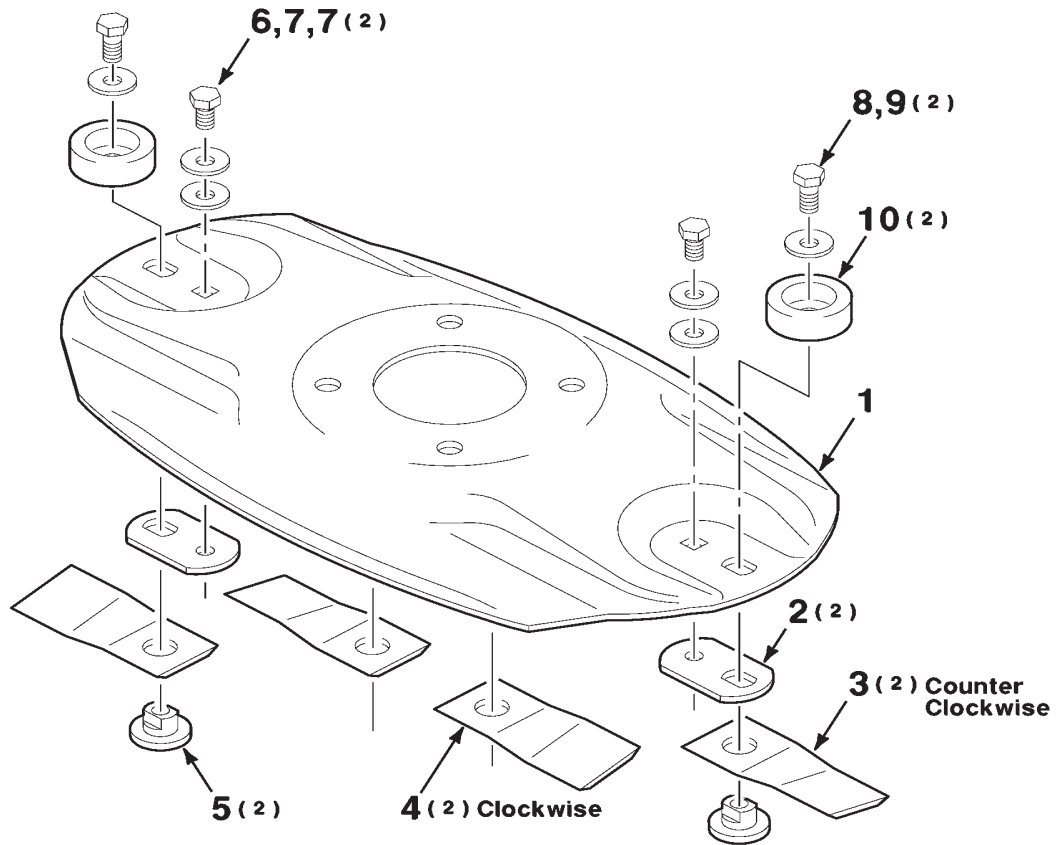
**SPINDLE ASSEMBLY (OUTER)**  
(700719598 SPINDLE ASSEMBLY-OUTER)

ITEM	NUMBER	QTY	DESCRIPTION
-	700719598	1	SPINDLE ASSEMBLY-OUTER
1	700713466	1	GEAR-OUTBOARD
2	700718801	1	MOUNTING
3	700714310	1	BEARING
4	700712375	1	RING-RETAINING
5	700718350	1	SHIM
6	700713471	1	RING-RETAINING
7	700718355	1	FLANGE-OUTBOARD
8	700712409	1	WASHER-BELLEVILLE
9	700712408	1	LOCKNUT, M24 X 3

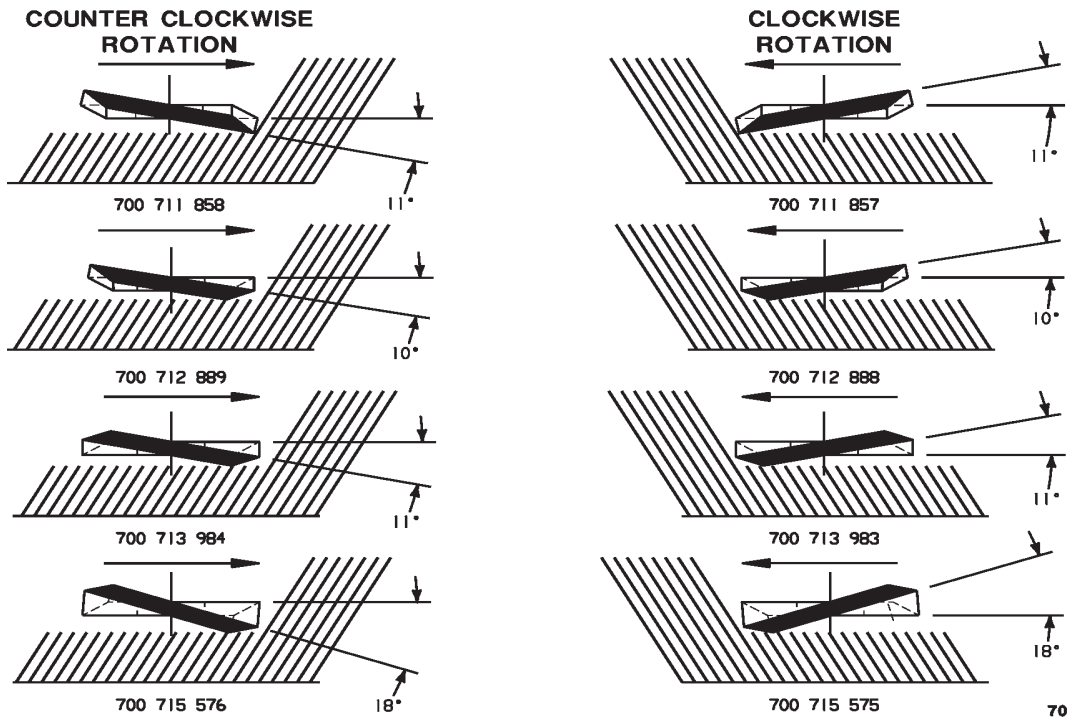
700719598-0

DISC ASSEMBLY

DISC ASSEMBLY



**KNIFE OPTIONS**



DKHC ROTARY HEADER CONDITIONER-ROLLER  
CUTTER

45

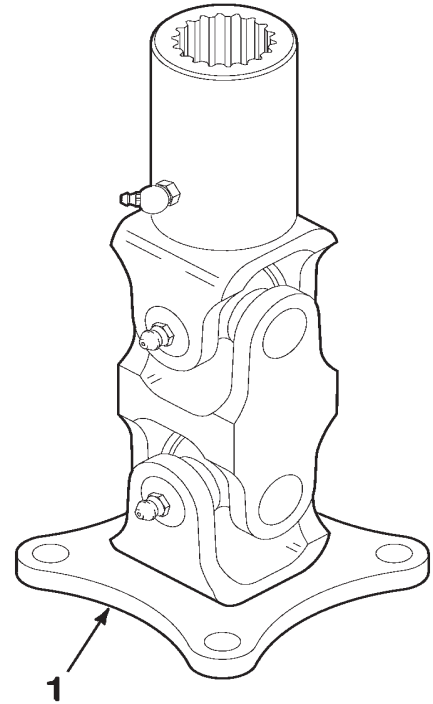
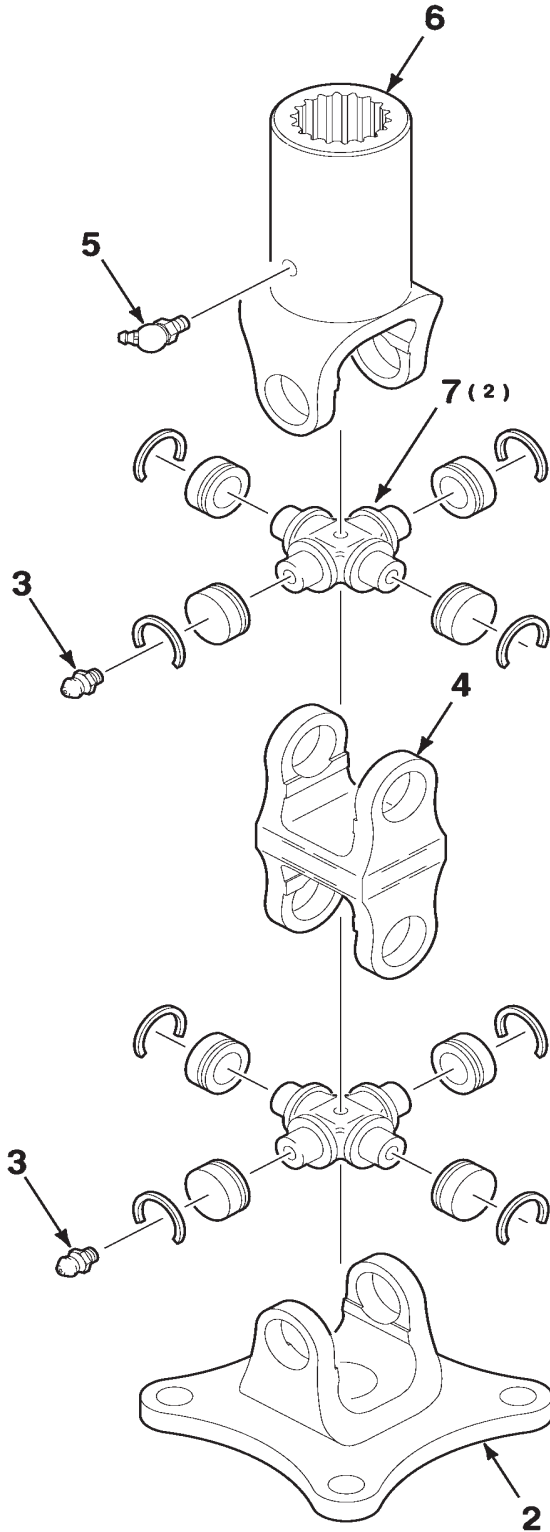
DISC ASSEMBLY

ITEM	NUMBER	QTY	DESCRIPTION
1	700725759	1	DISC
2	700127071	2	MOUNTING-KNIFE
3	700713984	2	KNIFE-COUNTER CLOCKWISE
3	700712889	1	KNIFE-COUNTER CLOCKWISE
3	700711858	1	KNIFE-COUNTER CLOCKWISE
3	700715576	1	KNIFE-COUNTER CLOCKWISE
4	700713983	2	KNIFE-CLOCKWISE
4	700712888	1	KNIFE-CLOCKWISE
4	700711857	1	KNIFE-CLOCKWISE
4	700715575	1	KNIFE-CLOCKWISE
5	700127073	2	NUT-KNIFE
6	700711877	2	3/8-16 X 1/2 HCNLS GR8 (SPECIAL)
7	Y705533	4	3/8 HARDENED PLAIN WASHER
8	700711964	2	7/16-14 X 1 HCNLS GR8 (SPECIAL)
9	Y705558	2	7/16 HARDENED PLAIN WASHER
10	700127072	2	SHIELD-BOLT, KNIFE

700127069-0

U-JOINT ASSEMBLY (CUTTER DISC)  
(700721264 U-JOINT ASSEMBLY)

U-JOINT ASSEMBLY (CUTTER DISC)  
(700721264 U-JOINT ASSEMBLY)





**DKHC ROTARY HEADER CONDITIONER-ROLLER  
CUTTER**

**47**

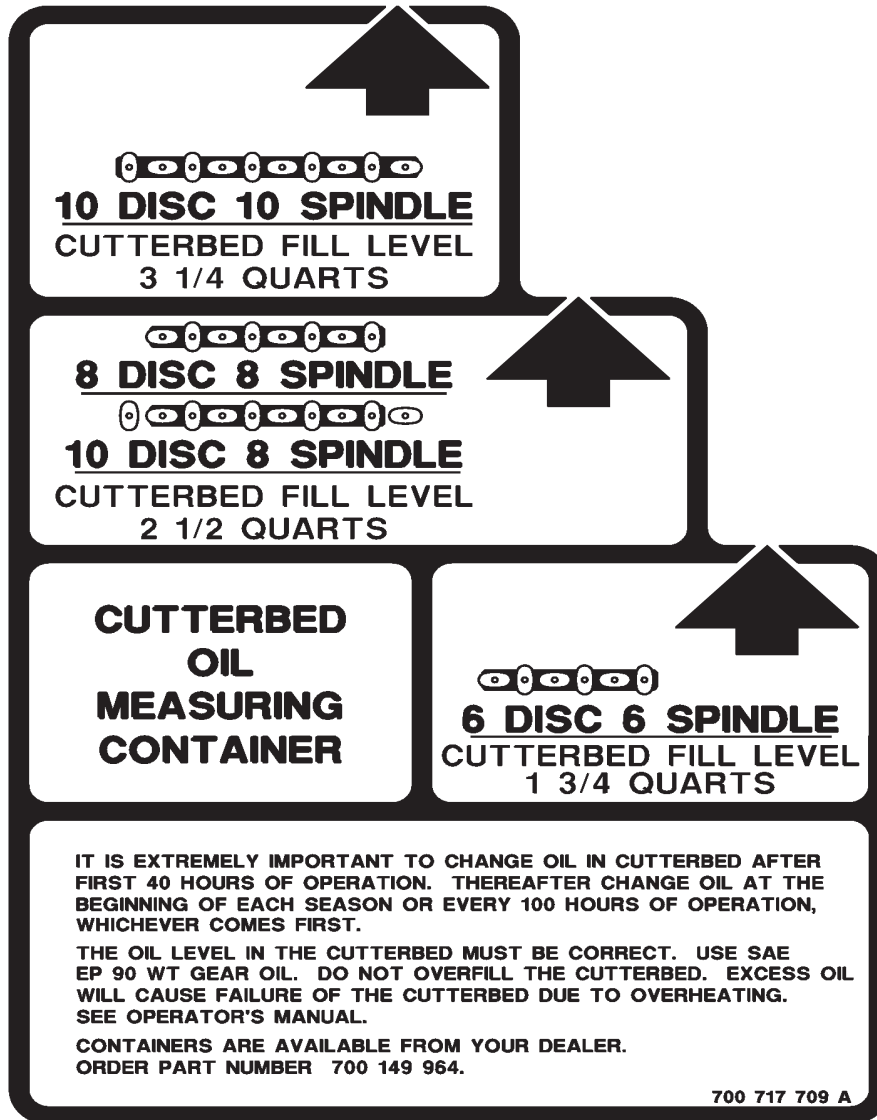
**U-JOINT ASSEMBLY (CUTTER DISC)  
(700721264 U-JOINT ASSEMBLY)**

ITEM	NUMBER	QTY	DESCRIPTION
1	700721264	1	U-JOINT ASSEMBLY
2	700721604	1	YOKE AND FLANGE
3	70914687	2	1/4-28 X 15/32 ZERK
4	757427	1	YOKE-DOUBLE
5	70925731	1	1/4-28 X 450 ZERK
6	700721606	1	YOKE-SPLINED
7	700711843	2	CROSS AND BEARING KIT (Includes Item 3)

700721264-0

CUTTER OIL BOTTLE ASSEMBLY  
(700149964 OIL BOTTLE ASSEMBLY)

**CUTTER OIL BOTTLE ASSEMBLY**  
**(700149964 OIL BOTTLE ASSEMBLY)**



**DKHC ROTARY HEADER CONDITIONER-ROLLER  
CUTTER**

**49**

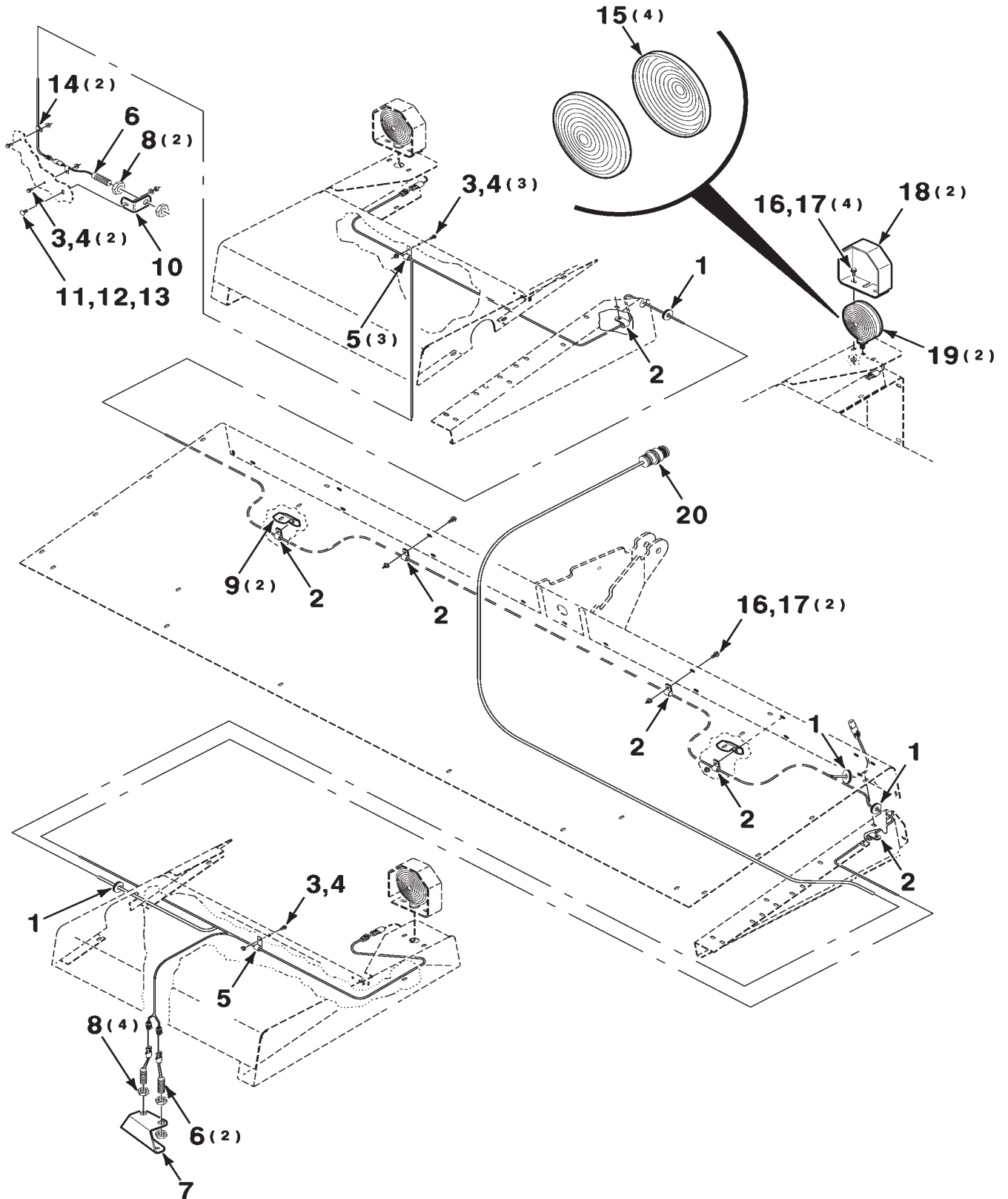
**CUTTER OIL BOTTLE ASSEMBLY  
(700149964 OIL BOTTLE ASSEMBLY)**

ITEM	NUMBER	QTY	DESCRIPTION
1	700149964	1	OIL BOTTLE ASSEMBLY

700149964-0

ELECTRICAL HARNESS AND FLASHERS

ELECTRICAL HARNESS AND FLASHERS



DKHC ROTARY HEADER CONDITIONER-ROLLER  
ELECTRICAL

51

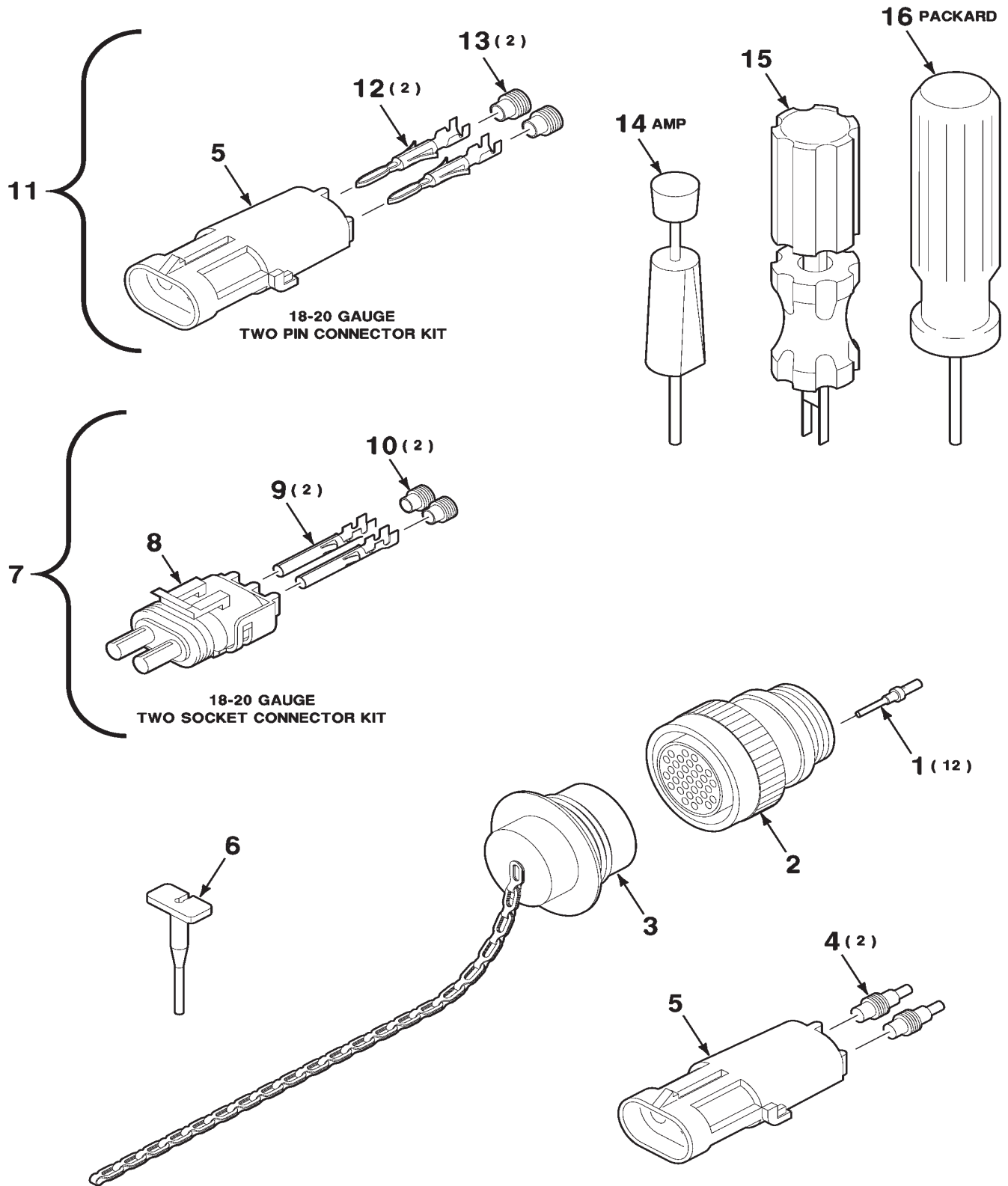
ELECTRICAL HARNESS AND FLASHERS

ITEM	NUMBER	QTY	DESCRIPTION
1	7827413	4	GROMMET
2	70925617	6	CLAMP
3	7883267	6	1/4-20 X 1/2 HWHMS
4	70931209	6	1/4-20 HFSLN
5	70925246	4	CLAMP-J TYPE
6	700706398	3	INDUCTIVE SENSOR
7	700158628C	1	SUPPORT-SENSOR
8	353436X1	6	3/4-16 HEX JAM NUT GR2
9	700149935	2	SUPPORT-SHIELD
10	700149890C	1	ANGLE-SENSOR
11	70931333	1	5/16-18 X 3/4 RHSNB
12	Y705525	1	5/16 HARDENED PLAIN WASHER
13	Y704015	1	5/16-18 H
14	755785	2	CLAMP
15	71193862	4	LENS
16	7883325	6	5/16-18 X 3/4 HWHMS
17	70931277	6	5/16-18 HFSLN
18	700154276B	2	GUARD-FLASHER
19	700726065	2	FLASHER ASSEMBLY (Includes Item 15)
20	700726522	1	HARNESS-WIRE

700158615-2

ELECTRICAL HARNESS SERVICE PARTS

ELECTRICAL HARNESS SERVICE PARTS



DKHC ROTARY HEADER CONDITIONER-ROLLER  
ELECTRICAL

53

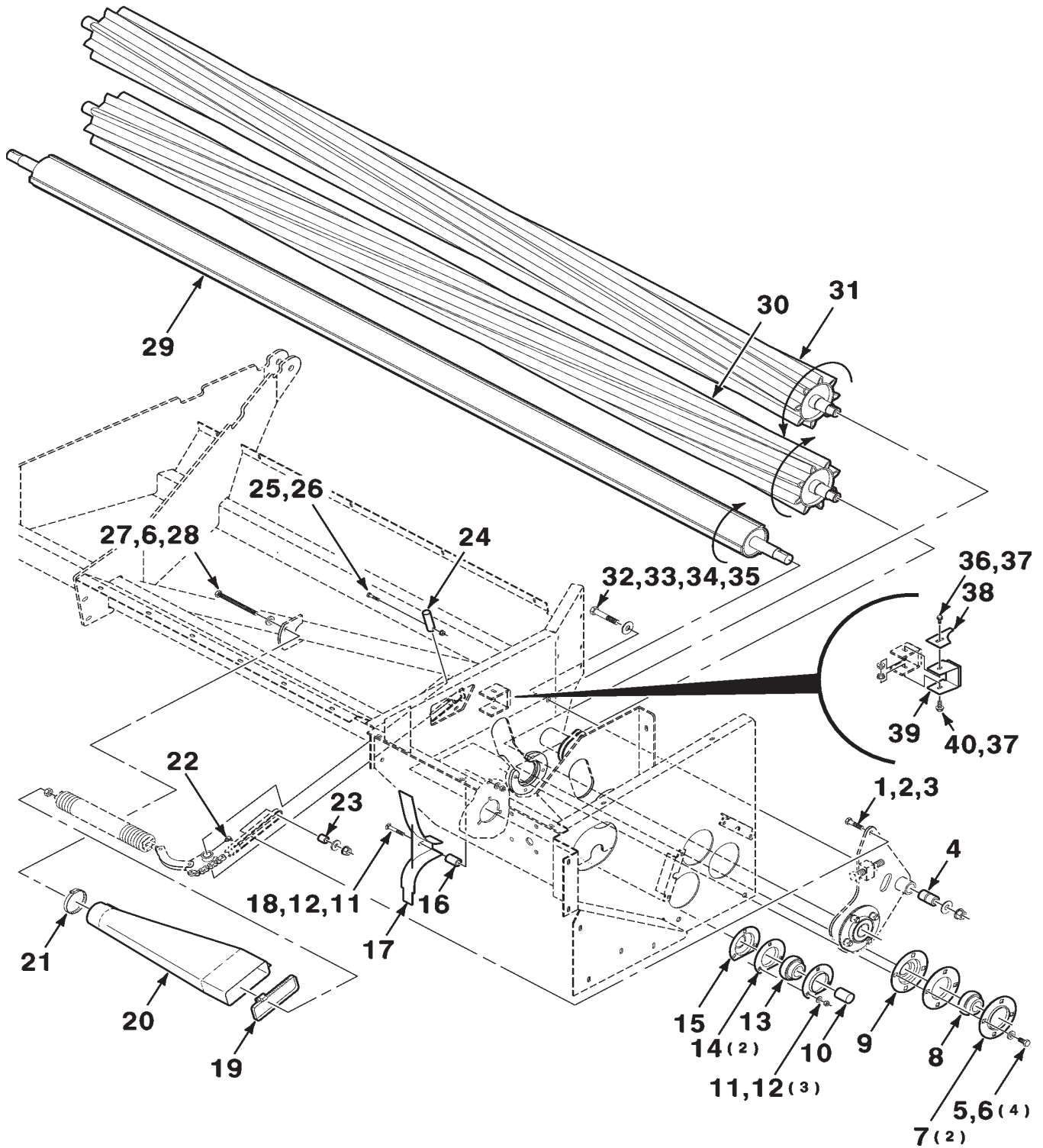
ELECTRICAL HARNESS SERVICE PARTS

ITEM	NUMBER	QTY	DESCRIPTION
1	700719869	AR	PIN-CONTACT, MALE, DEUTSCH
2	700727431	1	CONNECTOR-PLUG, DEUTSCH, 31 PIN
3	700716839	1	CAP-SEALING, WITH CHAIN
4	700714829	AR	PLUG-CAVITY
5	700706399	AR	CONNECTOR-SHROUD, 2 PIN, MALE
6	71390806	1	TOOL-EXTRACTION, DUETSCH, 18-20 GAUGE
7	700718590	1	KIT-HARNESS REPAIR, 2 SOCKET, FEMALE, 18-20 GAUGE (Includes Items 8, 9 and 10)
8	700708761	AR	CONNECTOR-TOWER, 2 SOCKET, FEMALE
9	700718576	AR	SOCKET-FEMALE (18-20 GAUGE)
10	700712467	AR	SEAL
11	700708753	1	KIT-HARNESS REPAIR, 2 PIN, MALE (Includes Items 5, 12 and 13)
12	700706401	AR	PIN-MALE (18-20 GAUGE)
13	700706400	AR	SEAL (18-20 GAUGE)
14	700707013	1	TOOL-CONNECTOR REPAIR, AMP
15	700707014	1	TOOL-CONNECTOR REPAIR
16	700707012	1	TOOL-CONNECTOR REPAIR, PACKARD

700161085-0

HAY CONDITIONER-LEFT

HAY CONDITIONER-LEFT





**DKHC ROTARY HEADER CONDITIONER-ROLLER  
HAY CONDITIONER**

55

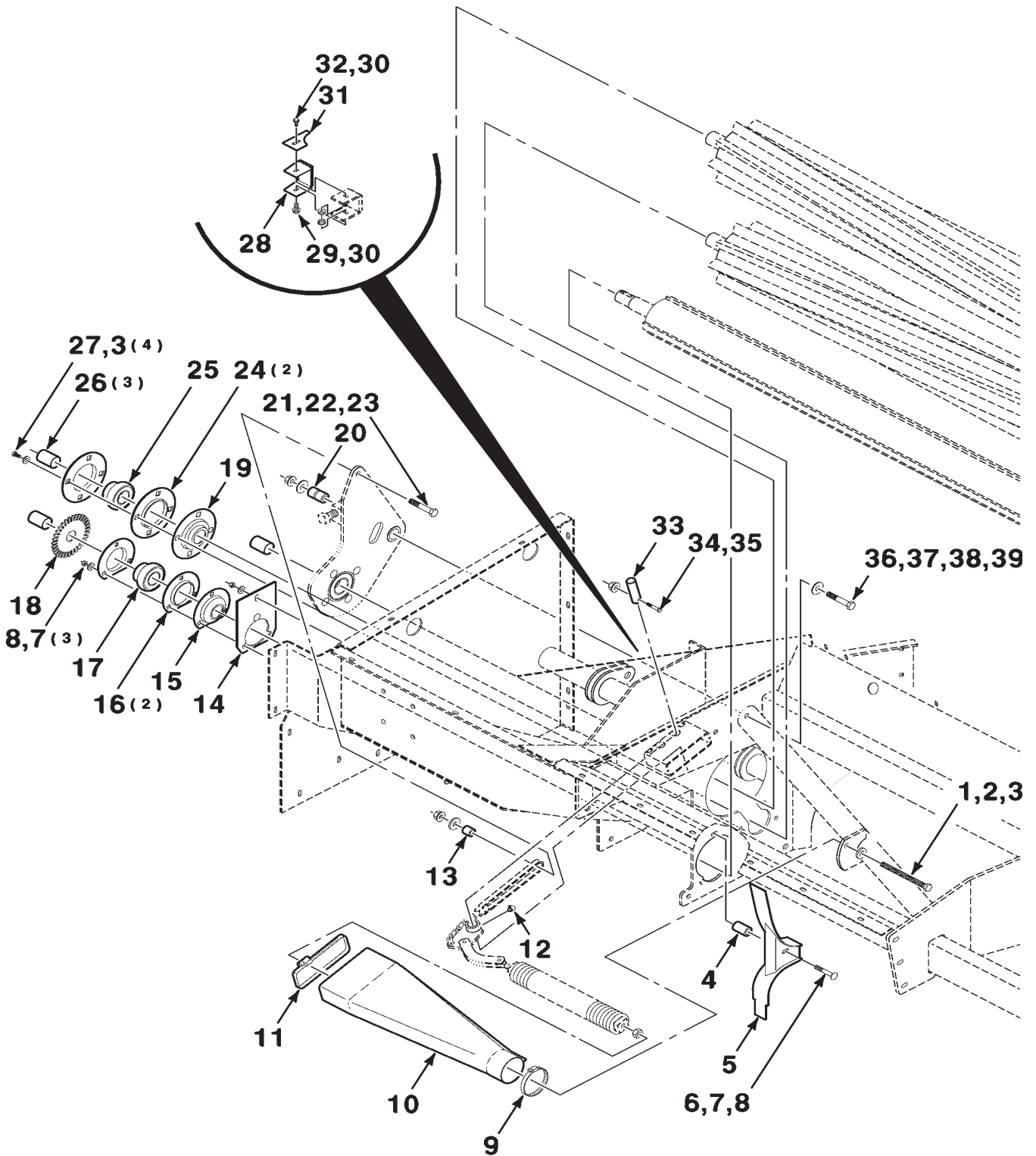
**HAY CONDITIONER-LEFT**

ITEM	NUMBER	QTY	DESCRIPTION
1	70921024	1	1/2-13 X 2 C
2	385625	1	WASHER
3	Y704742	1	1/2-13 HFTLN GR/G
4	6834394C	1	BUSHING
5	70923114	4	1/2-13 X 1 C
6	705541	5	1/2 HARDENED PLAIN WASHER
7	71138464	2	FLANGE-BEARING
8	700721328	1	BEARING-SPHERICAL, SPECIAL
9	700721327	1	SHIELD-BEARING, 90 MM
10	700713521	1	COVER
11	70916950	4	3/8-16 H
12	Y705533	4	3/8 HARDENED PLAIN WASHER
13	71309128	1	BEARING-SPHERICAL
14	163733	2	FLANGETTE-BEARING
15	700720588	1	SHIELD-BEARING, 72 MM
16	700133541	1	SPACER-PLATED
17	700152383C	1	PROTECTOR-LEFT, ROLL
18	7700016	1	3/8-16 X 2-1/2 RHSNB
19	7720048	1	CLAMP-HOSE
20	700717784	1	COVER-H/C SPRING
21	720870	1	CLAMP
22	77057	1	1/4-28 X 900 ZERK
23	700108790B	1	SPACER
24	700118107C	1	PIN
25	70921221	1	5/16-18 X 1-1/2 C
26	Y704726	1	5/16-18 HFTLN GR/G
27	873513	1	1/2-13 X 6 FTC
28	704031	1	1/2-13 H
29	700163632	1	ROLL WA-HELPER
30	700115122C	1	ROLL WA-H/C
31	700121385	1	ROLL WA-H/C, UPPER
32	70924136	1	5/8-11 X 3-3/4 C GR8, NON PLATED
33	Y705582	1	5/8 HARDENED PLAIN WASHER
34	700711165	1	5/8 HARDENED WIDE PLAIN WASHER
35	700703922	1	5/8-11 HFTLN GR/G
36	7883325	1	5/16-18 X 3/4 HWHMS
37	70931277	2	5/16-18 HFSLN
38	700127123C	1	GAUGE
39	700163621	1	STOP WA
40	7883333	1	5/16-18 X 1 HWHMS

700163631-1

HAY CONDITIONER-RIGHT

HAY CONDITIONER-RIGHT



**DKHC ROTARY HEADER CONDITIONER-ROLLER  
HAY CONDITIONER**

57

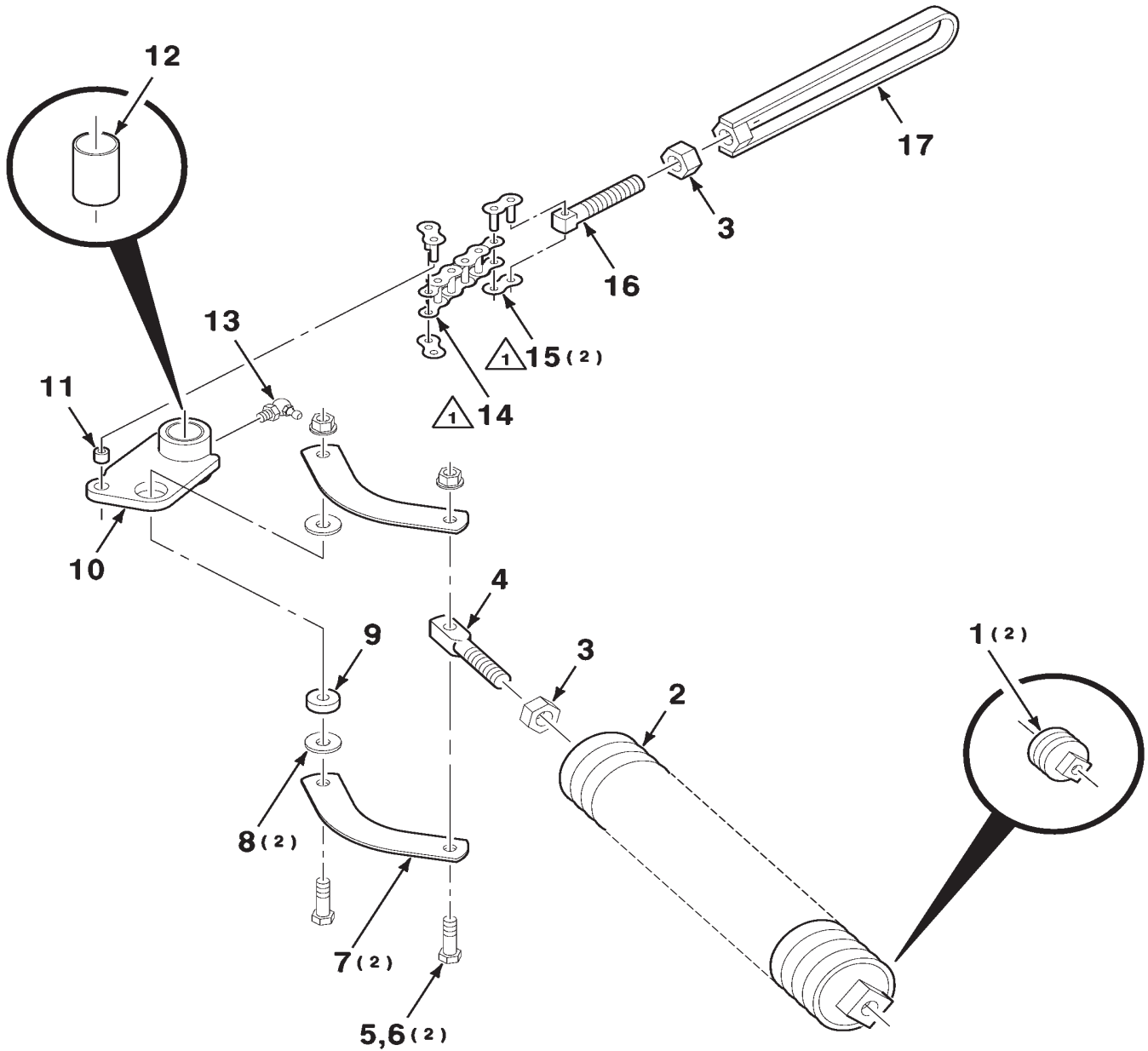
**HAY CONDITIONER-RIGHT**

ITEM	NUMBER	QTY	DESCRIPTION
1	873513	1	1/2-13 X 6 FTC
2	704031	1	1/2-13 H
3	705541	5	1/2 HARDENED PLAIN WASHER
4	700133541	1	SPACER-PLATED
5	700152386C	1	PROTECTOR-RIGHT, ROLL
6	7700016	1	3/8-16 X 2-1/2 RHSNB
7	Y705533	4	3/8 HARDENED PLAIN WASHER
8	70916950	4	3/8-16 H
9	720870	1	CLAMP
10	700717784	1	COVER-H/C SPRING
11	7720048	1	CLAMP-HOSE
12	77057	1	1/4-28 X 900 ZERK
13	700108790B	1	SPACER
14	700149946C	1	PLATE WA-BEARING
15	700720588	1	SHIELD-BEARING, 72 MM
16	163733	2	FLANGETTE-BEARING
17	71309128	1	BEARING-SPHERICAL
18	700160893C	1	DISC WA-SENSOR
19	700721327	1	SHIELD-BEARING, 90 MM
20	6834394C	1	BUSHING
21	70921024	1	1/2-13 X 2 C
22	385625	1	WASHER
23	Y704742	1	1/2-13 HFTLN GR/G
24	71138464	2	FLANGE
25	700721328	1	BEARING-SPHERICAL, SPECIAL
26	700713521	3	COVER
27	70923114	4	1/2-13 X 1 C
28	700163621	1	STOP WA
29	7883333	1	5/16-18 X 1 HWHMS
30	70931277	2	5/16-18 HFSLN
31	700127123C	1	GAUGE
32	7883325	1	5/16-18 X 3/4 HWHMS
33	700118107C	1	PIN
34	70921221	1	5/16-18 X 1-1/2 C
35	Y704726	1	5/16-18 HFTLN GR/G
36	70924136	1	5/8-11 X 3-3/4 C GR8, NON PLATED
37	Y705582	1	5/8 HARDENED PLAIN WASHER
38	700711165	1	5/8 HARDENED WIDE PLAIN WASHER
39	700703922	1	5/8-11 HFTLN GR/G

700163631-2

CAM ASSEMBLY

CAM ASSEMBLY



**RIGHT CAM ASSEMBLY SHOWN, LEFT SIDE OPPOSITE**

**△ 1 SOLD IN BULK ONLY**  
5 Links of No. 50 R/C, .625 Inch Pitch  
Plus 2 Connector Links

DKHC ROTARY HEADER CONDITIONER-ROLLER  
HAY CONDITIONER

59

CAM ASSEMBLY

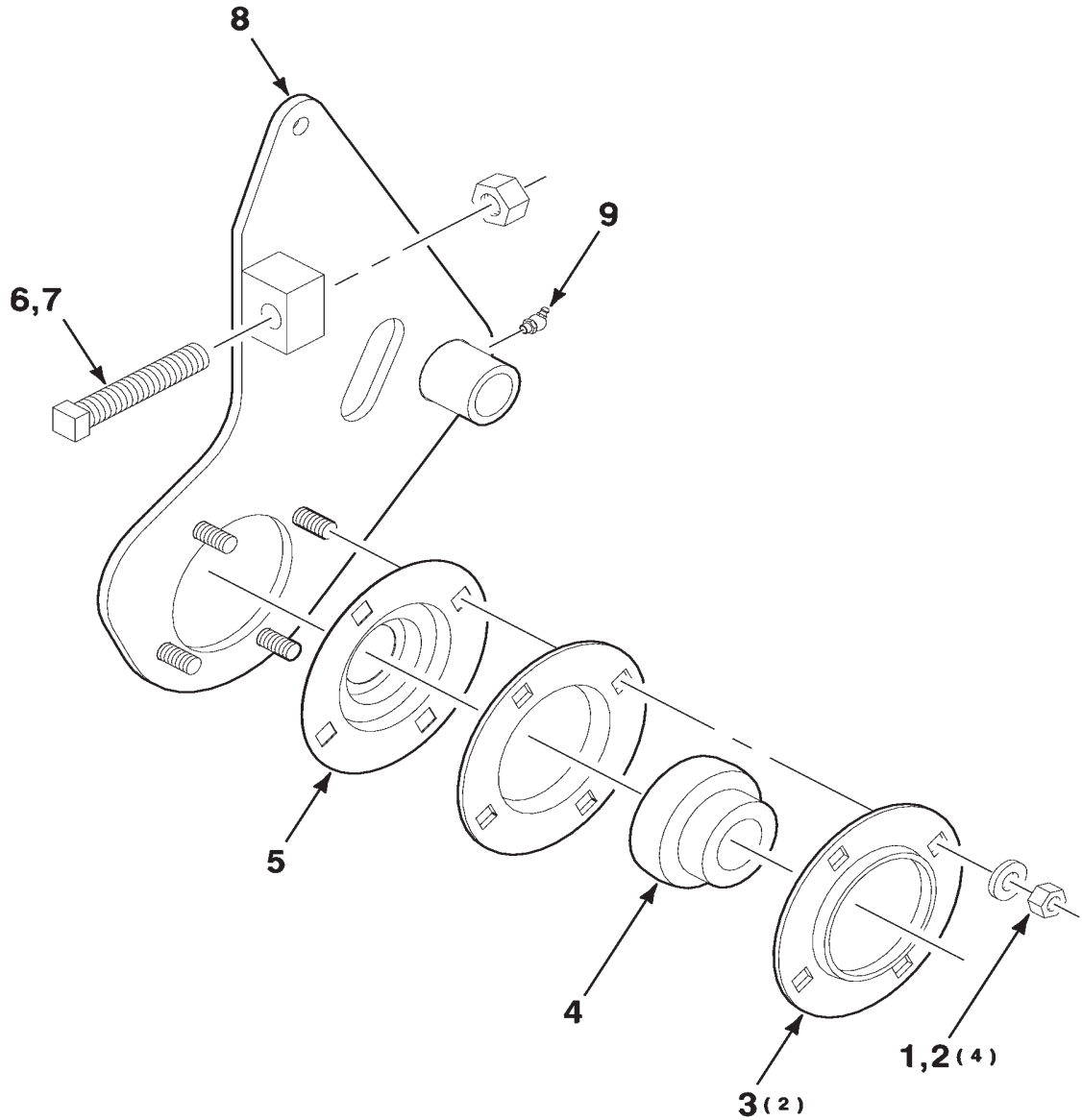
ITEM	NUMBER	QTY	DESCRIPTION
1	6146542	2	NUT-SPRING
2	6171060B	1	SPRING ASSEMBLY (Includes Item 1)
3	704031	2	1/2-13 H
4	700119868C	1	STUD
5	70921333	2	5/16-18 X 1 C
6	Y704726	2	5/16-18 HFTLN GR/G
7	700119865C	2	LINK
8	Y705525	2	5/16 HARDENED PLAIN WASHER
9	700706189	1	BEARING
10	700127417C	1	CAM ASSEMBLY (Includes Item 12)
11	700118104C	1	SPACER
12	740803	1	BEARING-SLEEVE
13	77057	1	ZERK, 1/4-28 X 900
14	70921049	1	CHAIN-ROLLER, No. 50 (10 FOOT BULK)
15	Y47530	2	LINK-CONNECTOR, No. 50 R/C
16	700726192	1	DRAWBOLT
17	700149980C	1	HANGER WA

700149981-0

HAY CONDITIONER PIVOT ASSEMBLY-LEFT

HAY CONDITIONER PIVOT ASSEMBLY-LEFT

---



DKHC ROTARY HEADER CONDITIONER-ROLLER  
HAY CONDITIONER

61

HAY CONDITIONER PIVOT ASSEMBLY-LEFT

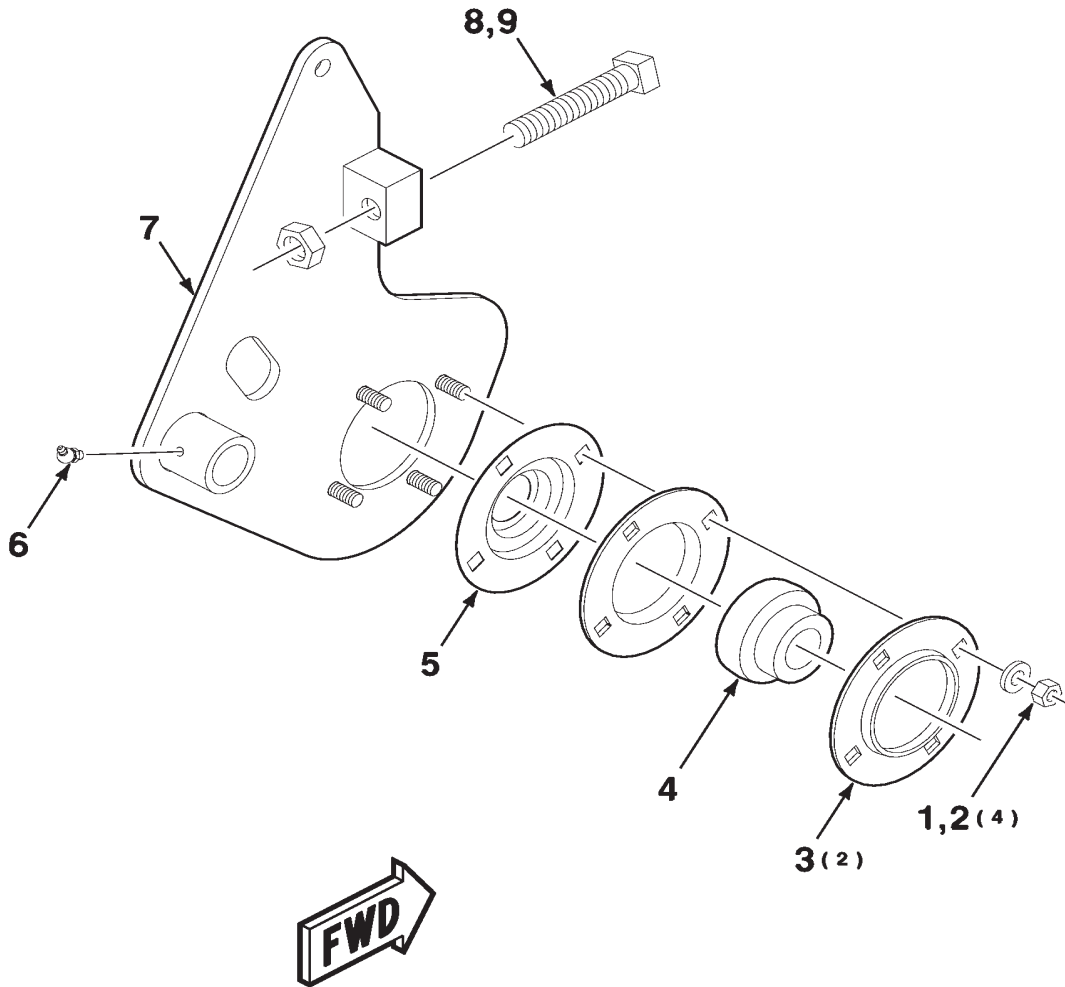
ITEM	NUMBER	QTY	DESCRIPTION
1	704031	4	1/2-13 H
2	705541	4	1/2 HARDENED PLAIN WASHER
3	71138464	2	FLANGE-BEARING
4	700721328	1	BEARING-SPHERICAL, SPECIAL
5	700721327	1	SHIELD-BEARING, 90 MM
6	69674	1	3/4-10 X 4 SET SCREW-SQUARE HEAD
7	70913160	1	3/4-10 H
8	700160934C	1	ARM WA-LEFT
9	70925731	1	1/4-28 X 450 ZERK

700160933-0

HAY CONDITIONER PIVOT ASSEMBLY-RIGHT

HAY CONDITIONER PIVOT ASSEMBLY-RIGHT

---





DKHC ROTARY HEADER CONDITIONER-ROLLER  
HAY CONDITIONER

63

HAY CONDITIONER PIVOT ASSEMBLY-RIGHT

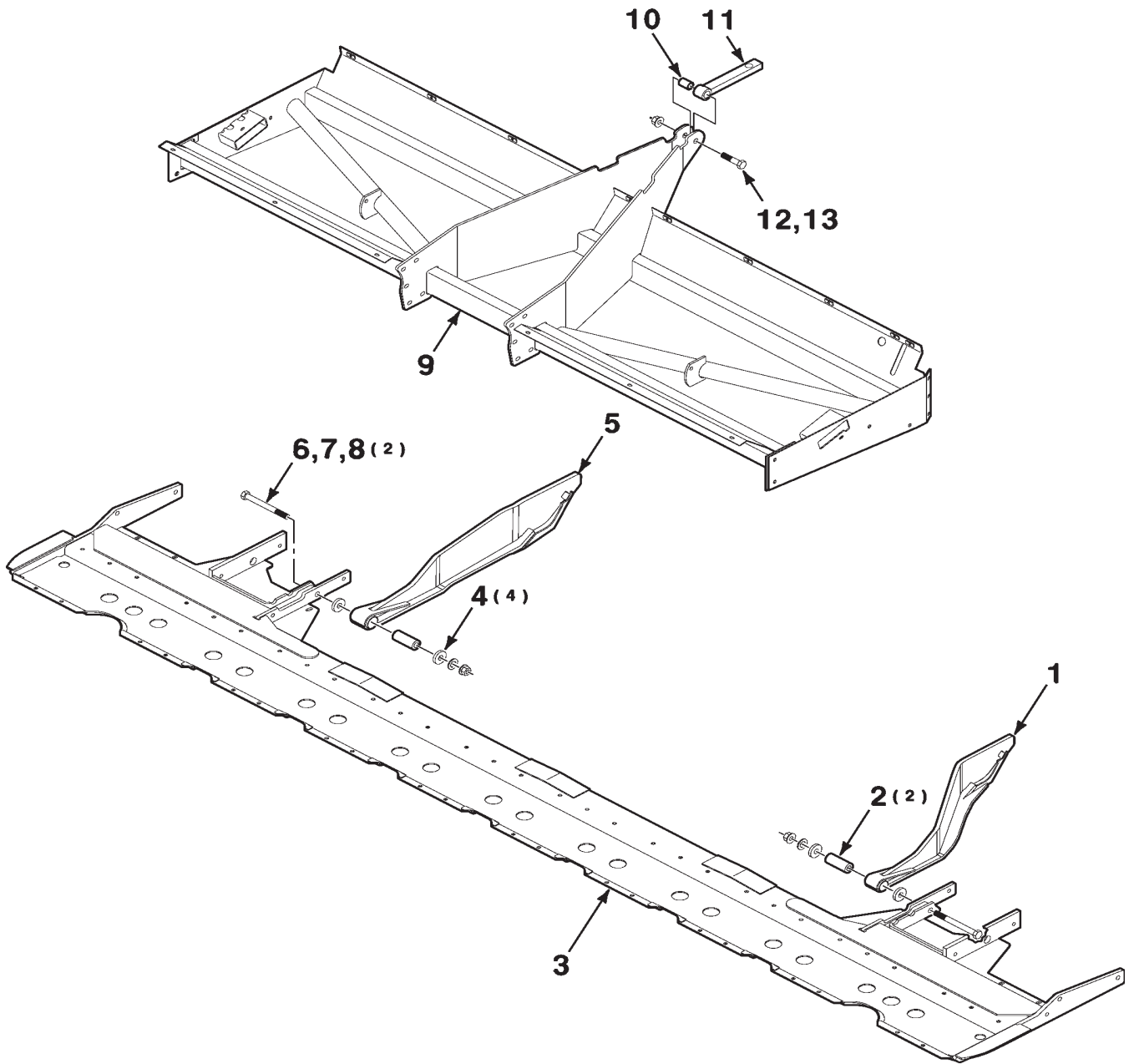
ITEM	NUMBER	QTY	DESCRIPTION
1	704031	4	1/2-13 H
2	705541	4	1/2 HARDENED PLAIN WASHER
3	71138464	2	FLANGE
4	700721328	1	BEARING-SPHERICAL, SPECIAL
5	700721327	1	SHIELD-BEARING, 90 MM
6	70925731	1	1/4-28 X 450 ZERK
7	700160938C	1	ARM WA-RIGHT
8	69674	1	3/4-10 X 4 SET SCREW-SQUARE HEAD
9	70913160	1	3/4-10 H

700160936-0

HEADER FRAME, CRADLE AND LIFT ARMS

HEADER FRAME, CRADLE AND LIFT ARMS

---



## DKHC ROTARY HEADER CONDITIONER-ROLLER

65

## MAINFRAME AND SHIELDS

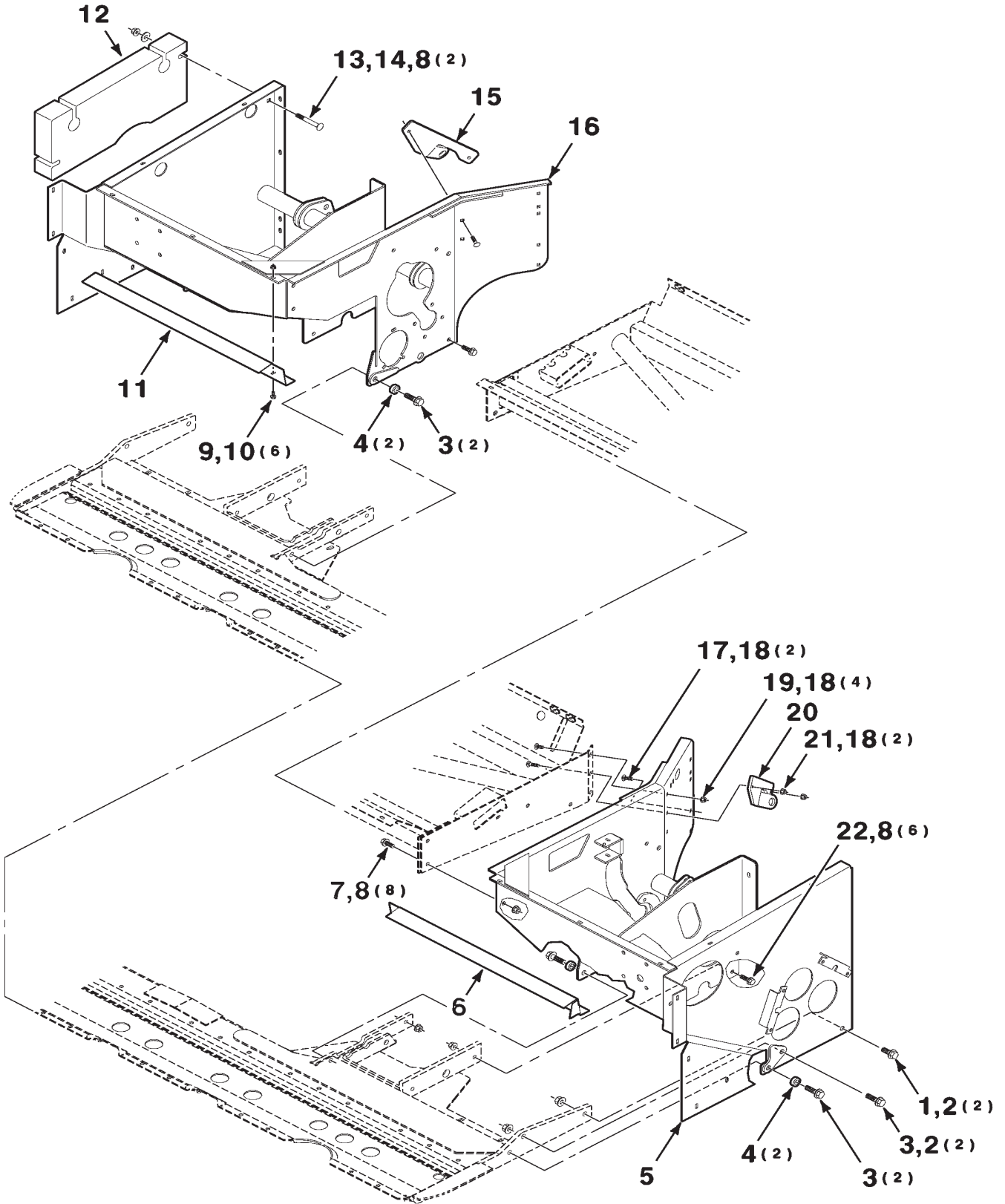
## HEADER FRAME, CRADLE AND LIFT ARMS

ITEM	NUMBER	QTY	DESCRIPTION
1	700158542B	1	ARM WA-LIFT, LEFT
2	700164324	2	BUSHING-INNER
3	700163412	1	CRADLE WA
4	700135352	4	WASHER-SPECIAL
5	700158544B	1	ARM WA-LIFT, RIGHT
6	700724515	2	1-8 X 8 C GR8
7	705574	2	1 HARDENED PLAIN WASHER
8	70931390	2	1-8 HTLN GR/B
9	700149797P	1	FRAME WA-CENTER
10	700114925	1	BUSHING
11	700130184C	1	ARM WA
12	70924741	1	3/4-10 X 3-1/4 C
13	700703923	1	3/4-10 HFTLN GR/G

700163627-1

HEADER FRAME-LEFT AND RIGHT

HEADER FRAME-LEFT AND RIGHT



**DKHC ROTARY HEADER CONDITIONER-ROLLER  
MAINFRAME AND SHIELDS**

67

**HEADER FRAME-LEFT AND RIGHT**

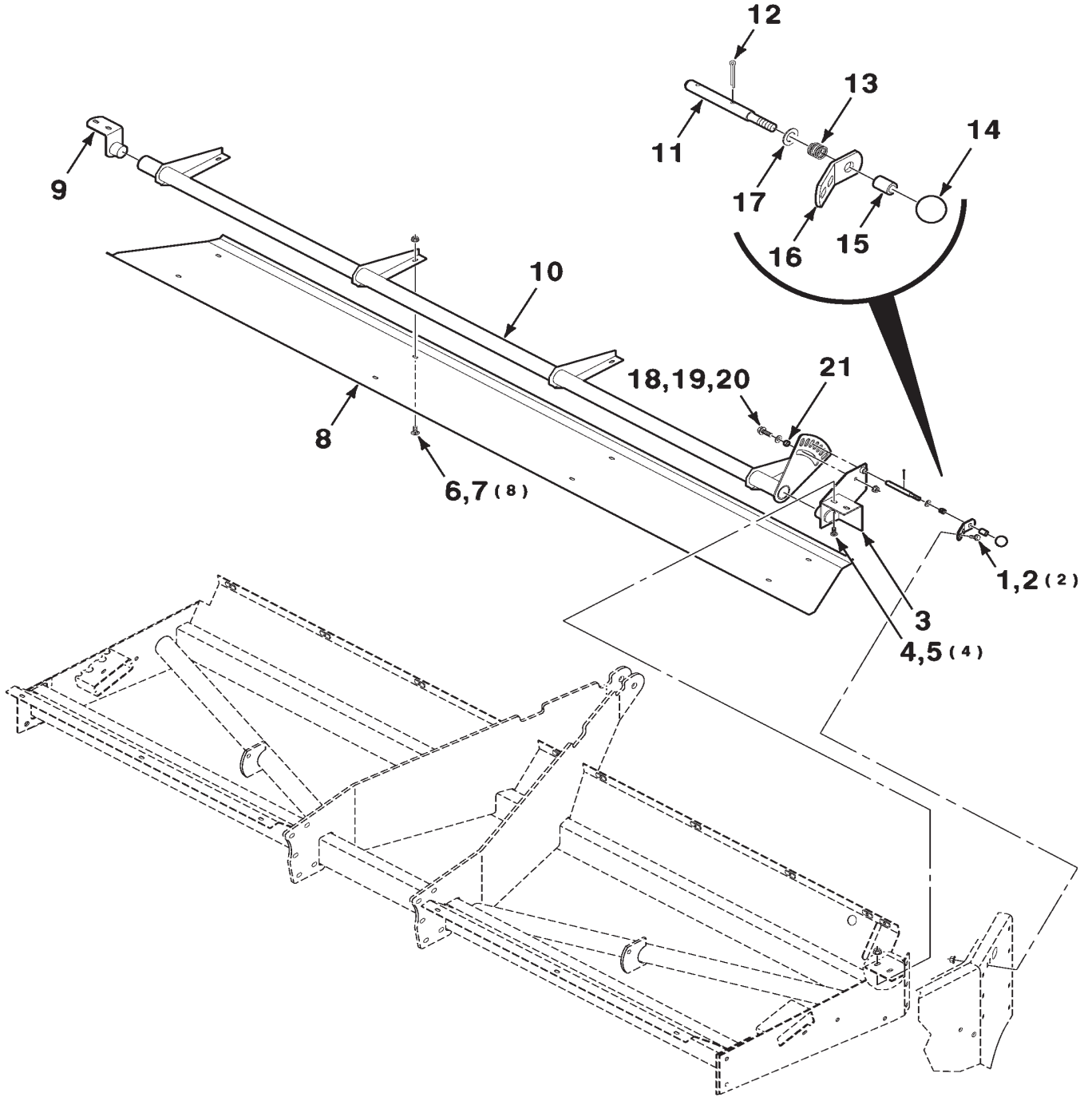
ITEM	NUMBER	QTY	DESCRIPTION
1	700711262	2	5/8-11 X 1-1/2 HFS GR8
2	700703922	4	5/8-11 HFTLN GR/G
3	700710982	6	5/8-11 X 2 HFS GR8
4	700110610C	4	SPACER
5	700163640	1	FRAME WA-LEFT
6	700149841P	1	SUPPORT-LEFT, SHIELD
7	700710984	8	1/2-13 X 1-1/4 HFS GR8
8	Y704742	16	1/2-13 HFTLN GR/G
9	7883325	6	5/16-18 X 3/4 HWHMS
10	70931277	6	5/16-18 HFSLN
11	700149969C	1	SUPPORT-RIGHT, SHIELD
12	700149846P	1	WEIGHT
13	70931814	2	1/2-13 X 4 RHSNB
14	700711557	2	1/2 HARDENED WIDE PLAIN WASHER
15	700149972P	1	SUPPORT-RIGHT
16	700163643	1	FRAME WA-RIGHT
17	70923220	2	3/8-16 X 1-1/4 RHSNB
18	Y704734	8	3/8-16 HFTLN GR/G
19	70922786	4	3/8-16 X 1 RHSNB
20	700149970P	1	SUPPORT-LEFT
21	768036	2	3/8-16 X 1-1/2 RHSNB
22	8701237	6	1/2-13 X 1-1/2 HFS GR8

700163627-2

SWATHBOARD AND MOUNTING

SWATHBOARD AND MOUNTING

---



**DKHC ROTARY HEADER CONDITIONER-ROLLER  
MAINFRAME AND SHIELDS**

**69**

**SWATHBOARD AND MOUNTING**

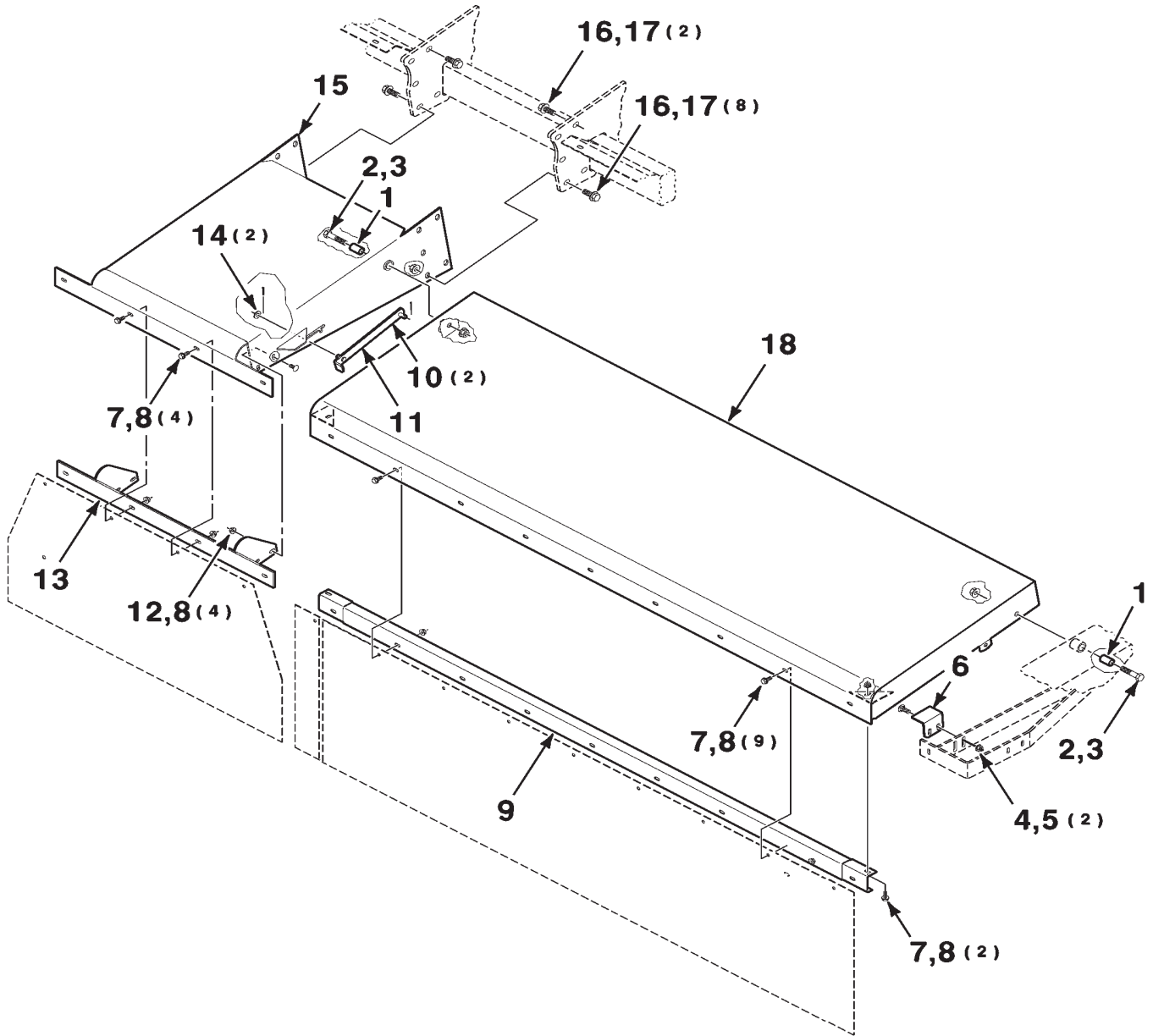
ITEM	NUMBER	QTY	DESCRIPTION
1	7883325	2	5/16-18 X 3/4 HWHMS
2	70931277	2	5/16-18 HFSLN
3	700149834P	1	MOUNTING WA-LEFT
4	70922786	4	3/8-16 X 1 RHSNB
5	Y704734	4	3/8-16 HFTLN GR/G
6	70931333	8	5/16-18 X 3/4 RHSNB
7	Y704726	8	5/16-18 HFTLN GR/G
8	700149838C	1	PANEL-SWATHBOARD
9	700149839P	1	MOUNTING WA-RIGHT
10	700149830P	1	PIPE WA
11	700134748C	1	PIN
12	62174	1	5/32 X 1 COTTER PIN
13	700703267	1	SPRING-COMPRESSION
14	721258	1	KNOB
15	6595516C	1	SPACER
16	700149847P	1	SUPPORT-LATCH PIN
17	52167	1	1/2 X 18 GAUGE NRMB
18	7883382	1	3/8-16 X 1 HWHMS
19	Y705533	1	3/8 HARDENED PLAIN WASHER
20	704247	1	3/8-16 HFSLN
21	6489231	1	SPACER

700161084-0

SHIELDS-CUTTERBAR, LEFT

SHIELDS-CUTTERBAR, LEFT

---





DKHC ROTARY HEADER CONDITIONER-ROLLER  
MAINFRAME AND SHIELDS

71

SHIELDS-CUTTERBAR, LEFT

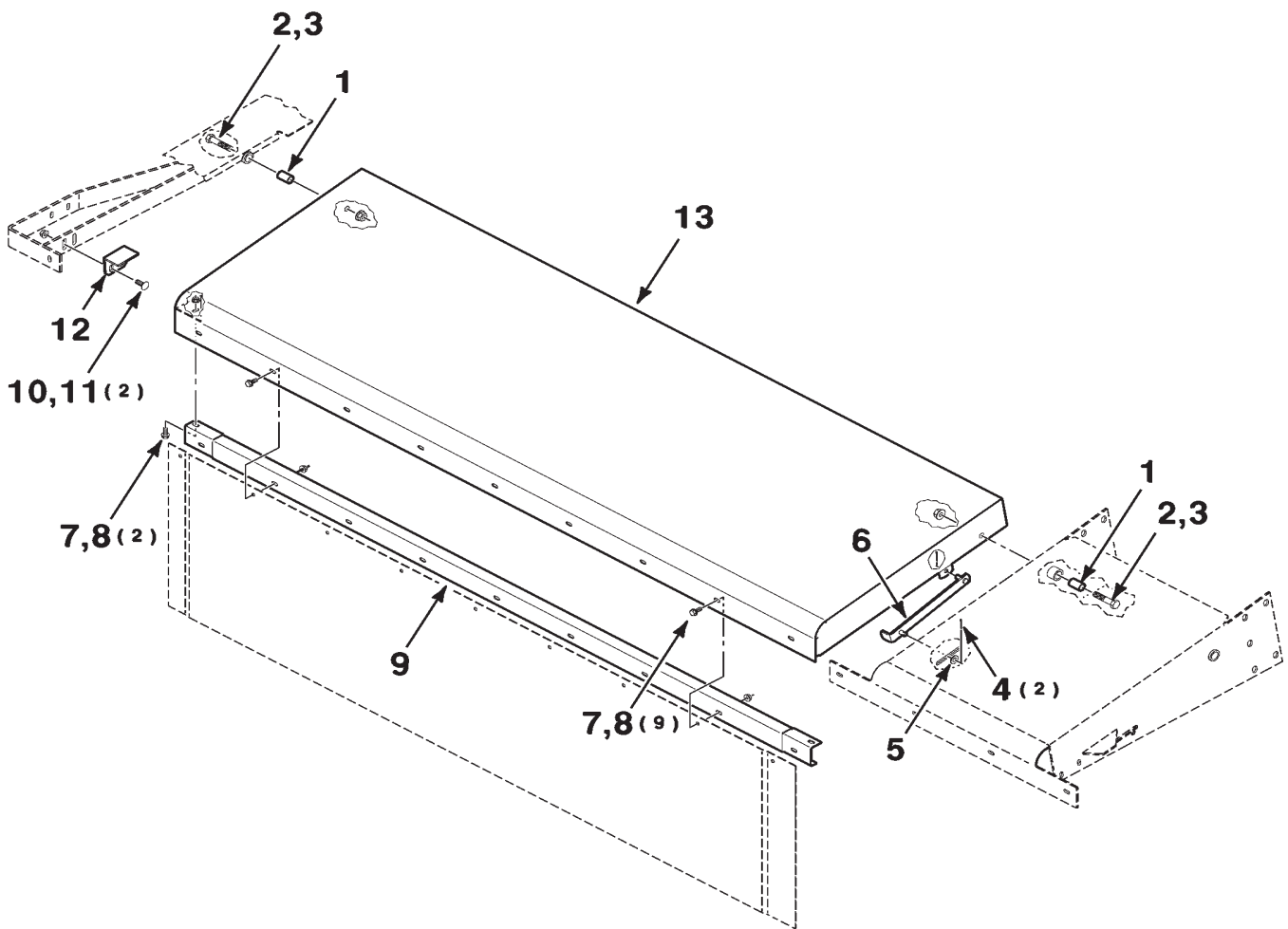
ITEM	NUMBER	QTY	DESCRIPTION
1	6472948	2	SPACER
2	70922645	2	1/2-13 X 2-1/4 C
3	Y704742	2	1/2-13 HFTLN GR/G
4	70922786	2	3/8-16 X 1 RHSNB
5	704247	2	3/8-16 HFSLN
6	700163616	1	ANGLE-STOP
7	7883325	15	5/16-18 X 3/4 HWHMS
8	70931277	19	5/16-18 HFSLN
9	700149900C	1	CHANNEL-FRONT
10	62166	2	5/32 X 3/4 COTTER PIN
11	700127224	1	LATCH WA
12	70931333	4	5/16-18 X 3/4 RHSNB
13	700149907P	1	SUPPORT WA-CENTER
14	Y705533	2	3/8 HARDENED PLAIN WASHER
15	700163614	1	CHANNEL WA-FRONT
16	700710984	10	1/2-13 X 1-1/4 HFS GR8
17	704254	10	1/2-13 HFSLN
18	700149890C	1	PANEL WA-SHIELD

700163629-1

SHIELDS-CUTTERBAR, RIGHT

SHIELDS-CUTTERBAR, RIGHT

---



DKHC ROTARY HEADER CONDITIONER-ROLLER  
MAINFRAME AND SHIELDS

73

SHIELDS-CUTTERBAR, RIGHT

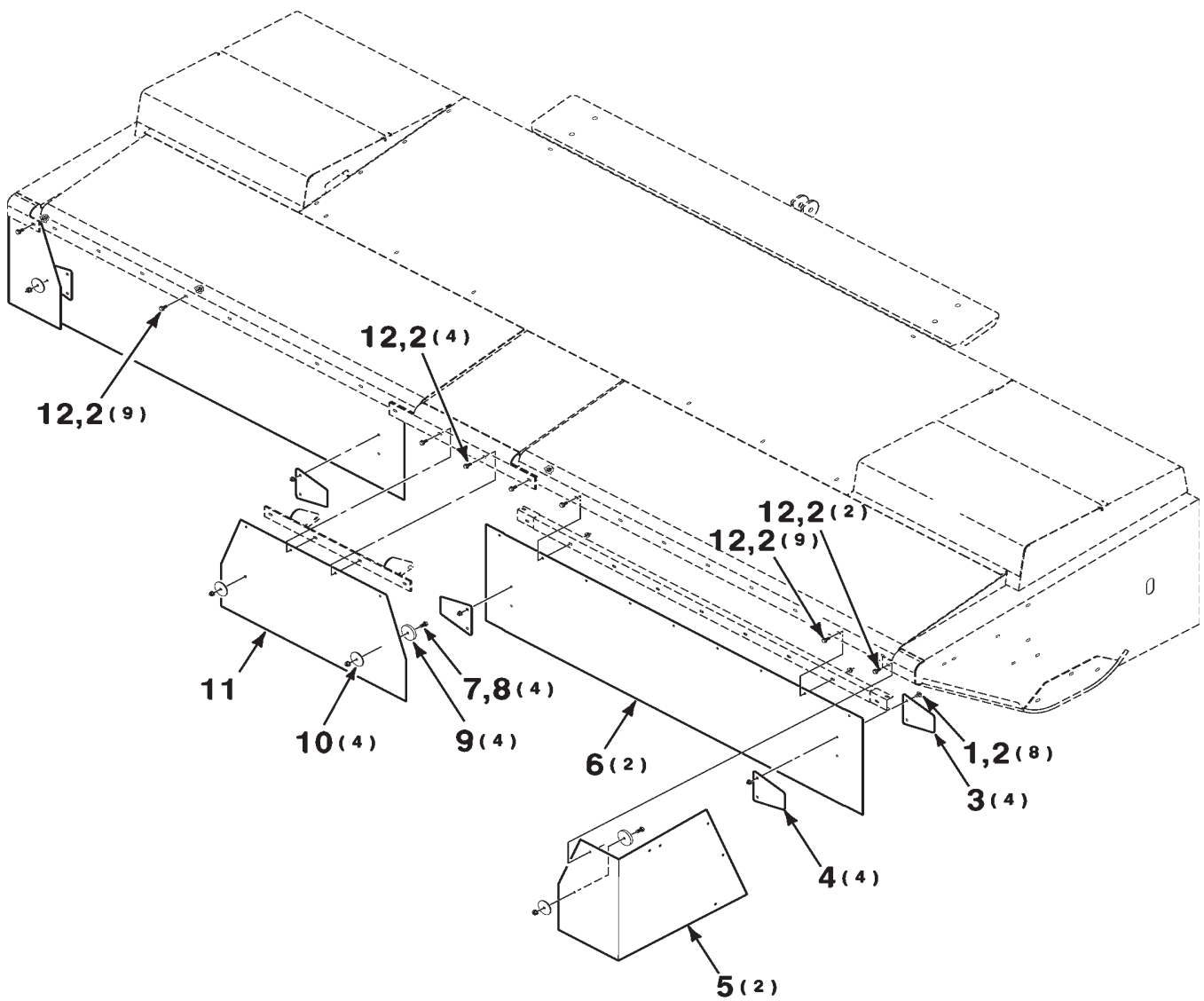
ITEM	NUMBER	QTY	DESCRIPTION
1	6472948	2	SPACER
2	70922645	2	1/2-13 X 2-1/4 C
3	Y704742	2	1/2-13 HFTLN GR/G
4	62166	2	5/32 X 3/4 COTTER PIN
5	Y705533	1	3/8 HARDENED PLAIN WASHER
6	700127224	1	LATCH WA
7	7883325	11	5/16-18 X 3/4 HWHMS
8	70931277	11	5/16-18 HFSLN
9	700149900C	1	CHANNEL-FRONT
10	70922786	2	3/8-16 X 1 RHSNB
11	704247	2	3/8-16 HFSLN
12	700163616	1	ANGLE-STOP
13	700149890C	1	PANEL WA-SHIELD

700163629-2

CURTAINS

CURTAINS

---



**DKHC ROTARY HEADER CONDITIONER-ROLLER  
MAINFRAME AND SHIELDS**

**75**

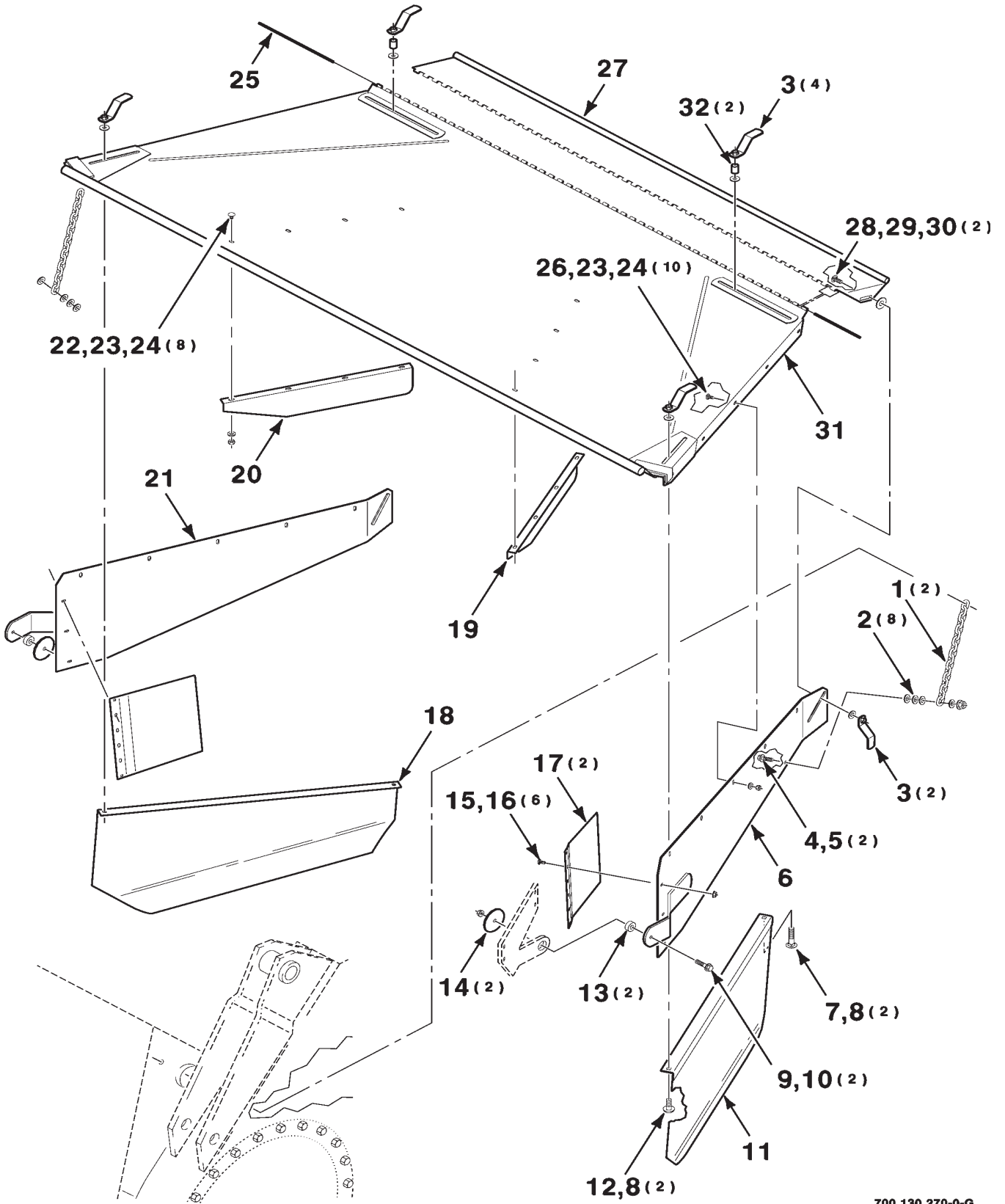
**CURTAINS**

ITEM	NUMBER	QTY	DESCRIPTION
1	7770282	8	5/16-18 X 1/2 RHSNB
2	70931277	32	5/16-18 HFSLN
3	700160990	4	PLATE-INNER
4	700160989	4	PLATE-OUTER
5	700713427	2	CURTAIN-SIDE
6	700724397	2	CURTAIN-FRONT
7	70921965	4	3/8-16 X 3/4 C
8	704247	4	3/8-16 HFSLN
9	700712189	4	MAGNET
10	382069	4	3/8 WASHER
11	700724398	1	CURTAIN-CENTER
12	7883325	24	5/16-18 X 3/4 HWHMS

700724396-0

FORMING SHIELDS

FORMING SHIELDS



**DKHC ROTARY HEADER CONDITIONER-ROLLER  
MAINFRAME AND SHIELDS**

77

**FORMING SHIELDS**

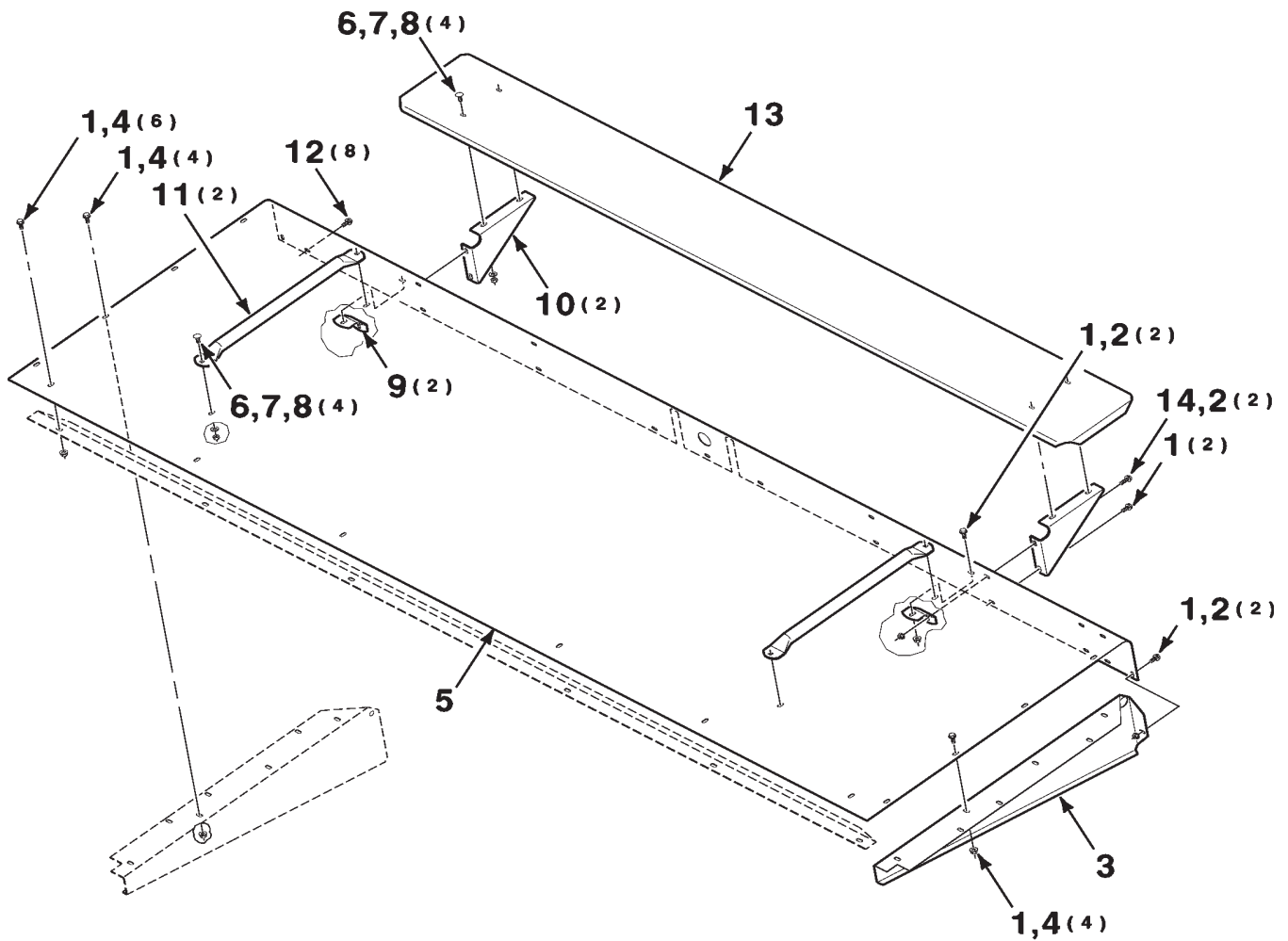
ITEM	NUMBER	QTY	DESCRIPTION
1	6559876	2	CHAIN
2	Y705533	8	3/8 HARDENED PLAIN WASHER
3	6232532	6	LEVER ASSEMBLY
4	7883408	2	3/8-16 X 1-1/4 HFS GR8
5	Y704734	2	3/8-16 HFTLN GR/G
6	700130263C	1	SUPPORT WA-LEFT
7	70922869	2	3/8-16 X 1-3/4 RHSNB
8	700702916	4	3/8 HARDENED WIDE PLAIN WASHER
9	700711084	2	3/8-16 X 1 1/2 HFS GR8
10	704247	2	3/8-16 HFSLN
11	700127393C	1	SHIELD-FORMING LEFT
12	70922786	2	3/8-16 X 1 RHSNB
13	700108796B	2	SPACER
14	382069	2	3/8 WASHER
15	364941X1	6	1/4-20 X 1/2 RHSNB
16	70931209	6	1/4-20 HFSLN
17	700128253	2	SHIELD
18	700127394C	1	SHIELD-FORMING RIGHT
19	700127395P	1	FIN-LEFT
20	700127396C	1	FIN-RIGHT
21	700130264C	1	SUPPORT WA-RIGHT
22	700708649	8	5/16-18 X 1/2 RHSSNB
23	Y705525	18	5/16 HARDENED PLAIN WASHER
24	Y704015	18	5/16-18 H
25	700130259	1	PIN
26	70931333	10	5/16-18 X 3/4 RHSNB
27	700130568P	1	DEFLECTOR-REAR
28	68759	2	3/8-16 X 1 RHSSNB
29	70918430	2	7/16 WIDE PLAIN WASHER
30	Y705533	2	3/8 HARDENED PLAIN WASHER
31	700130253C	1	SHIELD WA-TOP
32	6869382	2	SPACER

700130270-0

SHIELDS-CENTER SAFETY

SHIELDS-CENTER SAFETY

---





DKHC ROTARY HEADER CONDITIONER-ROLLER  
MAINFRAME AND SHIELDS

79

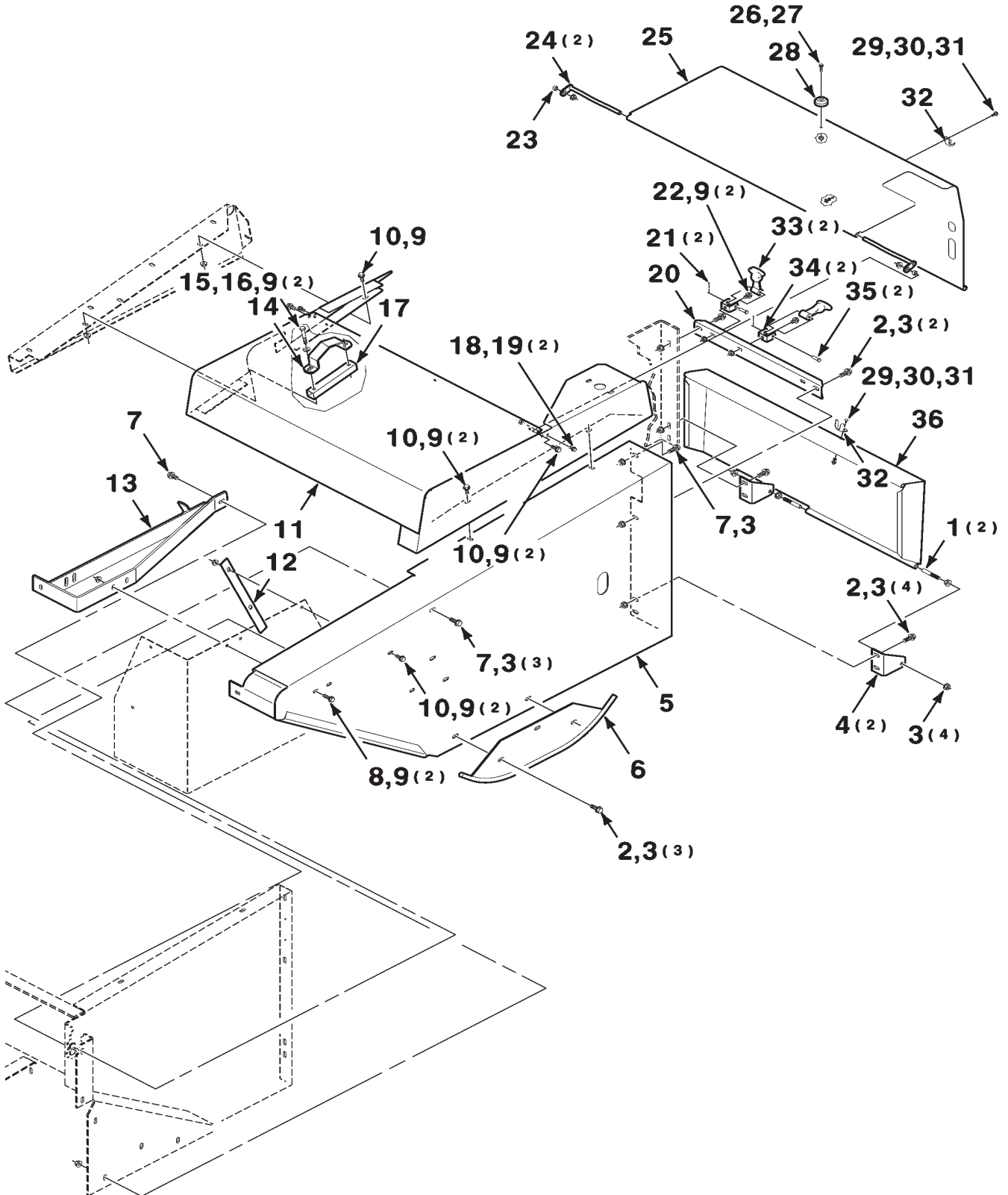
SHIELDS-CENTER SAFETY

ITEM	NUMBER	QTY	DESCRIPTION
1	7883325	20	5/16-18 X 3/4 HWHMS
2	70931277	6	5/16-18 HFSLN
3	700149937C	1	BULKHEAD-COVER, LEFT
4	Y704726	14	5/16-18 HFTLN GR/G
5	700149936C	1	PANEL-COVER, TOP
6	70931333	8	5/16-18 X 3/4 RHSNB
7	Y705525	8	5/16 HARDENED PLAIN WASHER
8	Y704015	8	5/16-18 H
9	700149935	2	SUPPORT-SHIELD
10	700149939P	2	SUPPORT-DECK
11	700149974P	2	TUBE-SUPPORT
12	Y703132	8	5/16-18 X 3/4 HFSS
13	700149940C	1	PANEL-DECK
14	7883333	2	5/16-18 X 1 HWHMS

700149752-0

SHIELDS-LEFT, SAFETY

SHIELDS-LEFT, SAFETY



**DKHC ROTARY HEADER CONDITIONER-ROLLER  
MAINFRAME AND SHIELDS**

81

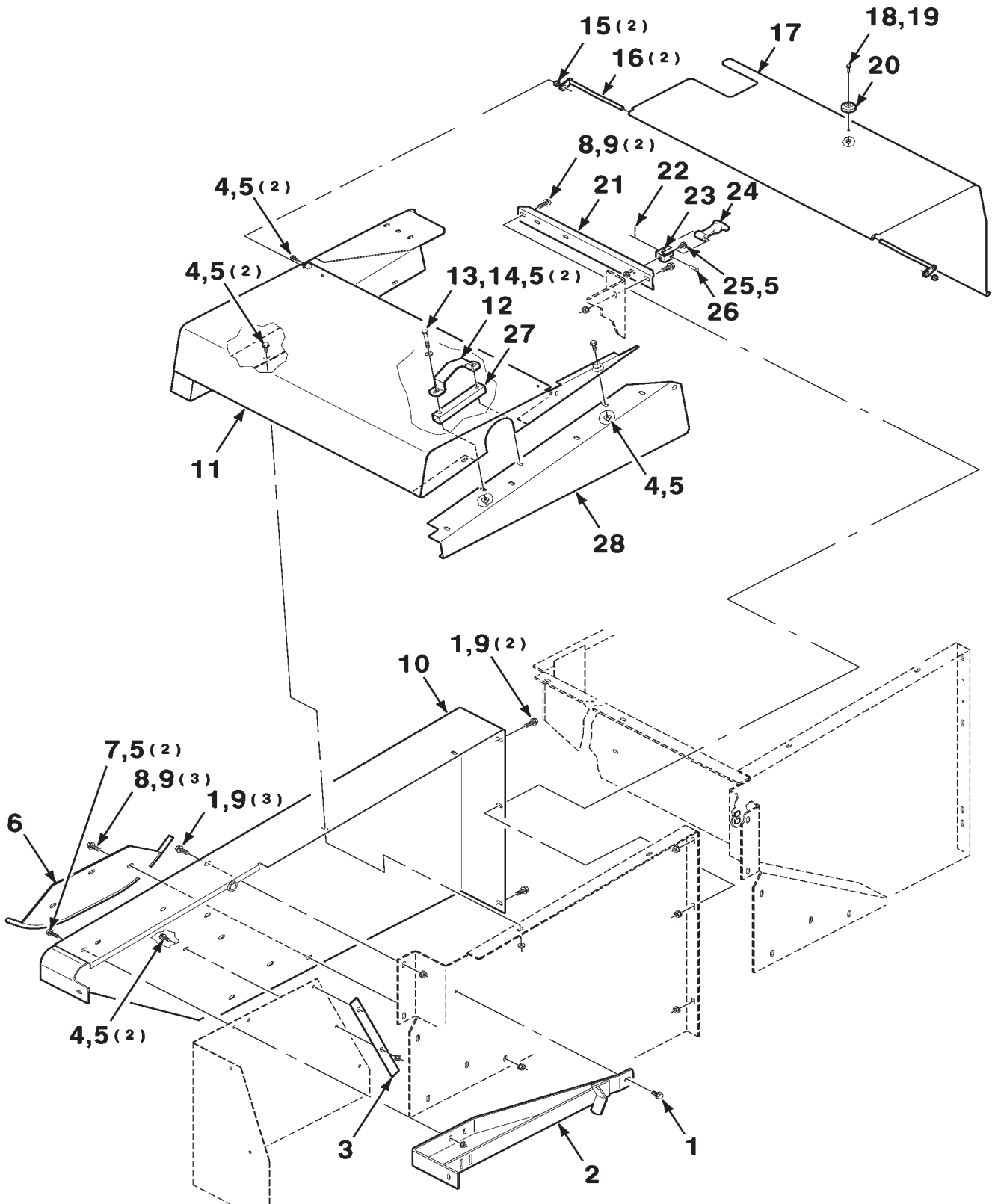
**SHIELDS-LEFT, SAFETY**

ITEM	NUMBER	QTY	DESCRIPTION
1	700149932	2	PIN-PIVOT
2	7883382	9	3/8-16 X 1 HWHMS
3	704247	17	3/8-16 HFSLN
4	700149931	2	SUPPORT-SHIELD, REAR
5	700149910C	1	PANEL WA-LEFT
6	700130220	1	ROD WA
7	7883374	5	3/8-16 X 3/4 HWHMS
8	7883333	2	5/16-18 X 1 HWHMS
9	70931277	13	5/16-18 HFSLN
10	7883325	7	5/16-18 X 3/4 HWHMS
11	700158623C	1	PANEL WA-LEFT
12	700149934	1	STRAP
13	700149913C	1	STRAP WA-REINFORCEMENT
14	700160898	1	RETAINER-HYDRAULIC HOSE
15	70921978	2	5/16-18 X 2 C
16	Y705525	2	5/16 HARDENED PLAIN WASHER
17	700149973	1	TUBE-SPACER
18	7883267	2	1/4-20 X 1/2 HWHMS
19	70916622	2	1/4-20 H
20	700149929C	1	CHANNEL
21	70919313	2	3/32 X 1/2 COTTER PIN
22	7883317	2	5/16-18 X 1/2 HWHMS
23	6124259	1	SPACER
24	700722760	2	ARM WA-PIVOT
25	700149961C	1	PANEL-SHIELD, LEFT
26	700707203	1	No. 12-24 X 3/4 HWHMS
27	373839X1	1	No. 12-24 LOCKNUT-SPECIAL
28	700708648	1	BUMPER-RUBBER
29	700700628	2	No. 10-24 X 1/2 CRPHMS GR60M
30	705004	2	No. 10 L
31	Y704072	2	No. 10-24 H GR2
32	8722910	2	BRACKET
33	776682	2	HOOK-RUBBER
34	776674	2	ANCHOR
35	63784	2	1/4 X 1-1/2 CLEVIS PIN
36	700149960C	1	PANEL-SHIELD

700158615-1

SHIELDS-RIGHT, SAFETY

SHIELDS-RIGHT, SAFETY



**DKHC ROTARY HEADER CONDITIONER-ROLLER  
MAINFRAME AND SHIELDS**

83

**SHIELDS-RIGHT, SAFETY**

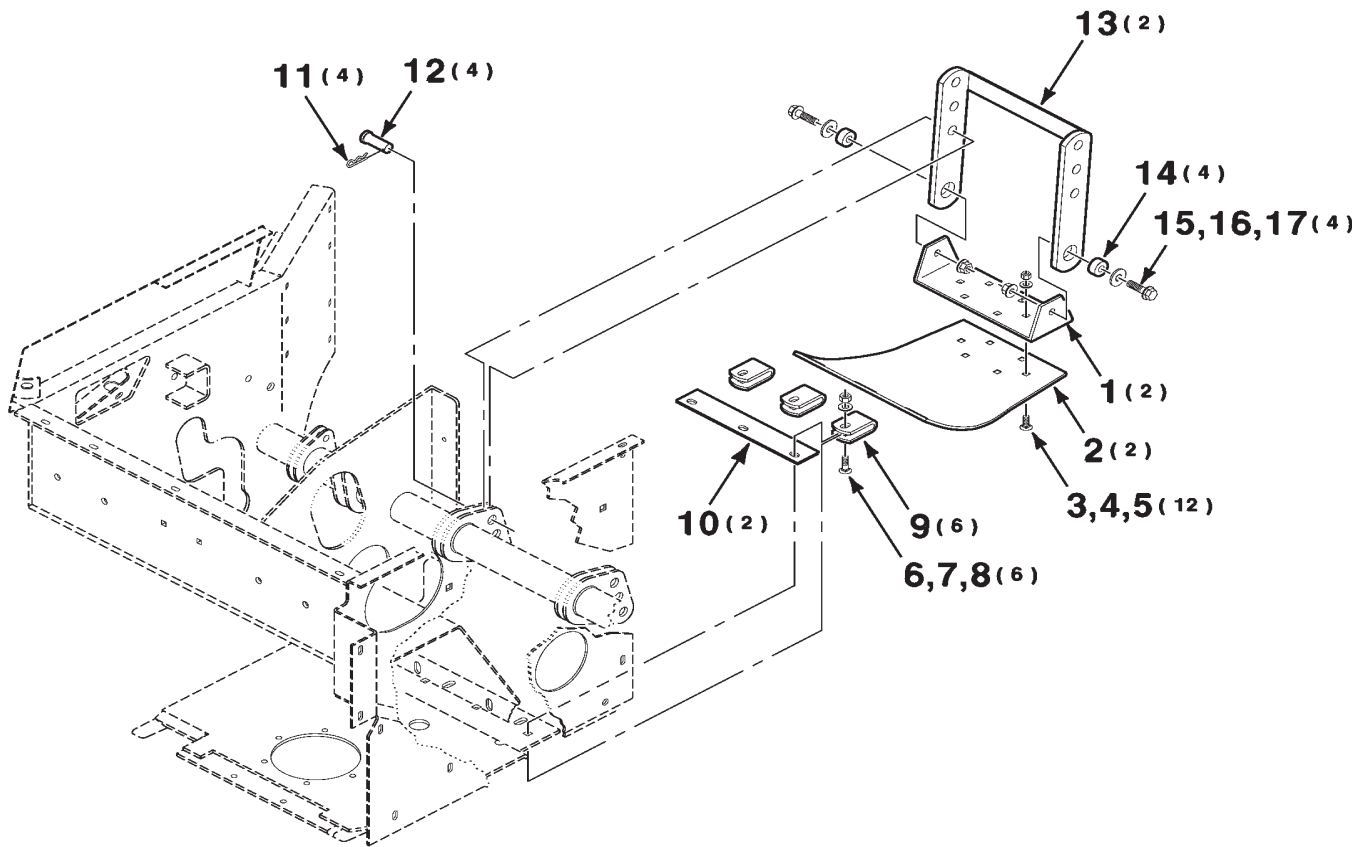
ITEM	NUMBER	QTY	DESCRIPTION
1	7883374	6	3/8-16 X 3/4 HWHMS
2	700149913C	1	STRAP WA-REINFORCEMENT
3	700149934	1	STRAP
4	7883325	7	5/16-18 X 3/4 HWHMS
5	70931277	12	5/16-18 HFSLN
6	700130220	1	ROD WA
7	7883333	2	5/16-18 X 1 HWHMS
8	7883382	5	3/8-16 X 1 HWHMS
9	704247	10	3/8-16 HFSLN
10	700149917C	1	PANEL WA-RIGHT
11	700158625C	1	PANEL WA-RIGHT
12	700160898	1	RETAINER-HYDRAULIC HOSE
13	70921978	2	5/16-18 X 2 C
14	Y705525	2	5/16 HARDENED PLAIN WASHER
15	6124259	2	SPACER
16	700722760	2	ARM WA-PIVOT
17	700149962C	1	PANEL-SHIELD, RIGHT
18	700707203	1	No. 12-24 X 3/4 HWHMS
19	373839X1	1	No. 12-24 LOCKNUT-SPECIAL
20	700708648	1	BUMPER-RUBBER
21	700149929C	1	CHANNEL
22	70919313	1	3/32 X 1/2 COTTER PIN
23	776674	1	ANCHOR
24	776682	1	HOOK-RUBBER
25	7883317	1	5/16-18 X 1/2 HWHMS
26	63784	1	1/4 X 1-1/2 CLEVIS PIN
27	700149973	1	TUBE-SPACER
28	700149938P	1	BULKHEAD-COVER, RIGHT

700158615-3

SKID SHOE-LEFT AND RIGHT

SKID SHOE-LEFT AND RIGHT

---



LEFT SIDE SHOWN RIGHT SIDE OPPOSITE

**DKHC ROTARY HEADER CONDITIONER-ROLLER  
MAINFRAME AND SHIELDS**

**85**

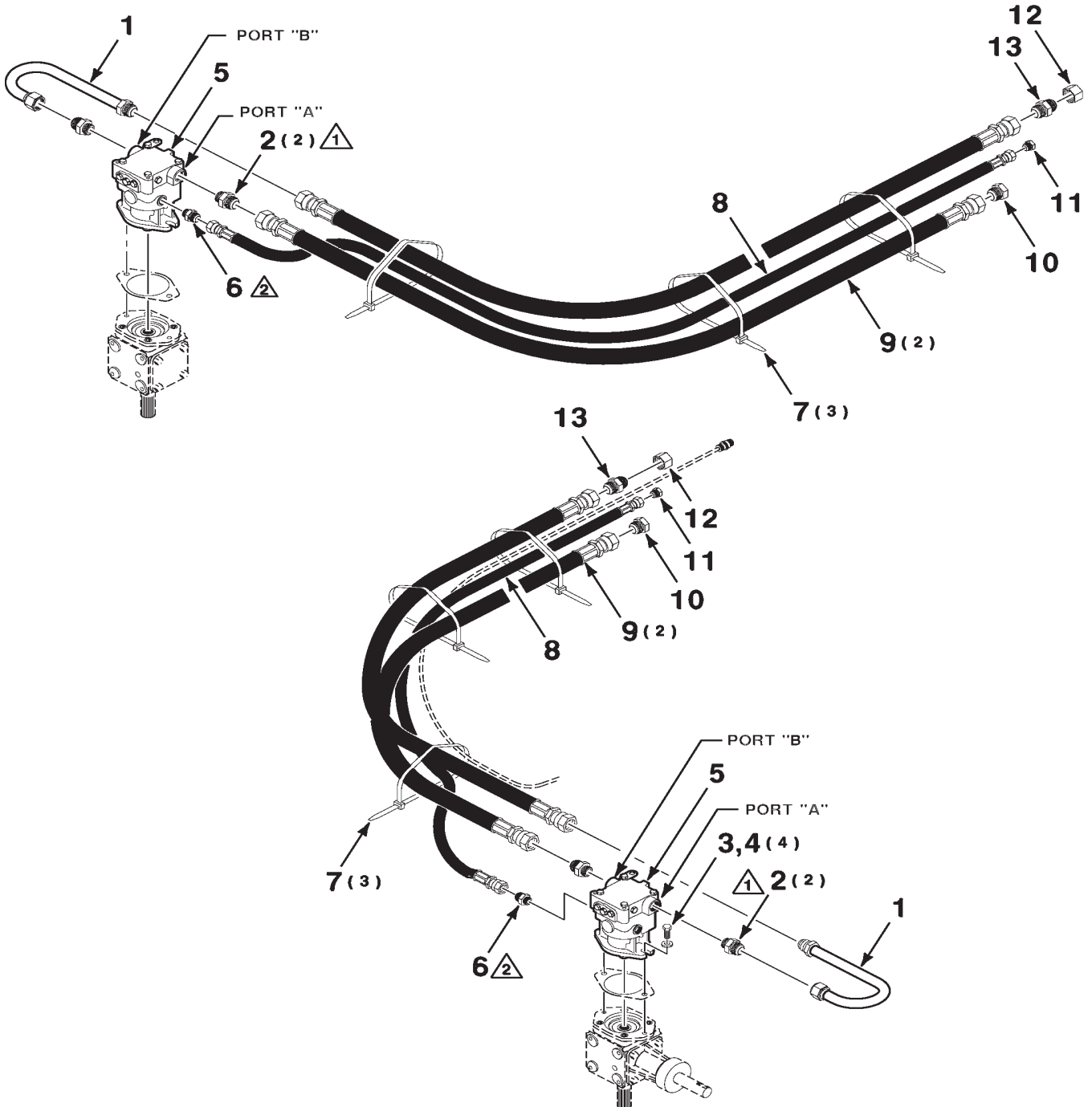
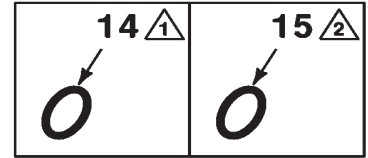
**SKID SHOE-LEFT AND RIGHT**

ITEM	NUMBER	QTY	DESCRIPTION
1	700164333	2	CHANNEL-MOUNTING
2	700721421	2	SKID SHOE
3	Y707042	12	3/8-16 X 1 PLOW BOLT
4	Y705533	12	3/8 HARDENED PLAIN WASHER
5	70916950	12	3/8-16 H
6	707265	6	7/16-14 X 1-1/2 PLOW BOLT
7	Y705558	6	7/16 HARDENED PLAIN WASHER
8	Y704080	6	7/16-14 H
9	700161548	6	CLIP-SKIDSHOE
10	700161549	2	STRAP-SPACER
11	98-2107	4	.148 WIRE HAIR PIN COTTER
12	763177	4	3/4 X 2 CLEVIS PIN
13	700164331	2	STRAP WA
14	6235071B	4	BUSHING
15	7883432	4	1/2-13 X 1-3/4 HFS GR8
16	700711557	4	1/2 HARDENED WIDE PLAIN WASHER
17	704858	4	1/2-13 HTLN GR/B

700164330-0

HEADER DRIVE-HYDRAULIC

HEADER DRIVE-HYDRAULIC





DKHC ROTARY HEADER CONDITIONER-ROLLER  
HYDRAULICS

87

HEADER DRIVE-HYDRAULIC

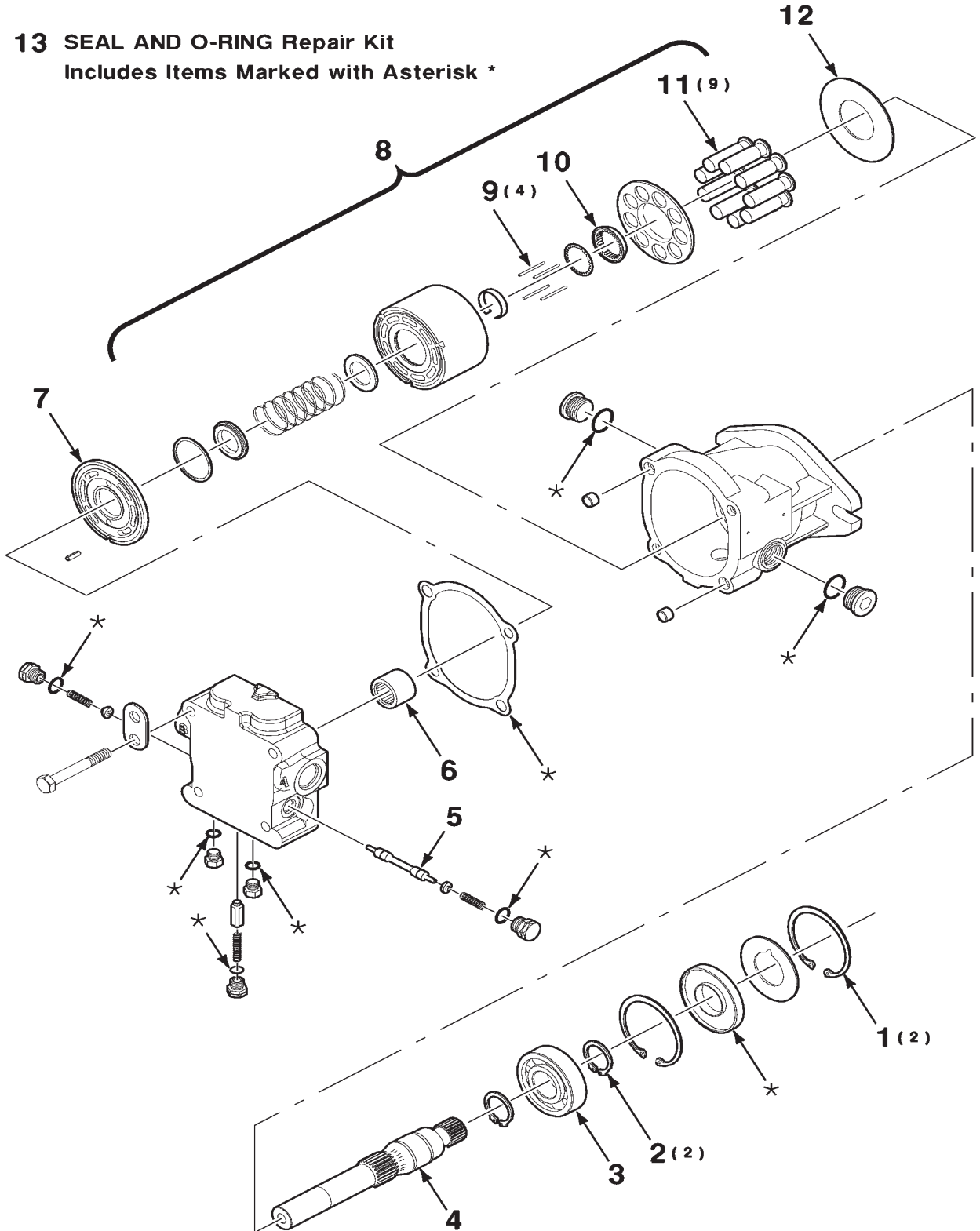
ITEM	NUMBER	QTY	DESCRIPTION
1	700725073	2	LINE-HYDRAULIC
2	70923174	4	1-5/16 X 1-1/16 CONNECTOR (Includes Item 14)
3	70921176	4	1/2-13 X 1-1/4 C
4	705541	4	1/2 HARDENED PLAIN WASHER
5	700725088	2	MOTOR ASSEMBLY-FIXED, HYDRAULIC
6	70921326	2	7/8-14 X 7/8-14 CONNECTOR (Includes Item 15)
7	70937133	6	TIE-NYLON
8	700725052	2	HOSE-HYDRAULIC, 3/4 INCH I.D.
9	700706817	4	HOSE-HYDRAULIC, 1 INCH I.D.
10	700710811	2	1-5/16-12 HEX HEAD PLUG
11	70924290	2	7/8-14 HEX HEAD PLUG
12	700711183	2	1-5/16 - 12 CAP
13	8046146	2	1-5/16 X 1-5/16 CONNECTOR
14	70921206	AR	.924 I.D. O-RING
15	70921205	AR	.755 I.D. O-RING

700158616-3

HYDRAULIC MOTOR ASSEMBLY  
(700725088 HYDRAULIC MOTOR ASSEMBLY)

**HYDRAULIC MOTOR ASSEMBLY**  
**(700725088 HYDRAULIC MOTOR ASSEMBLY)**

**13 SEAL AND O-RING Repair Kit**  
Includes Items Marked with Asterisk \*



**DKHC ROTARY HEADER CONDITIONER-ROLLER**  
**HYDRAULICS**

**89**

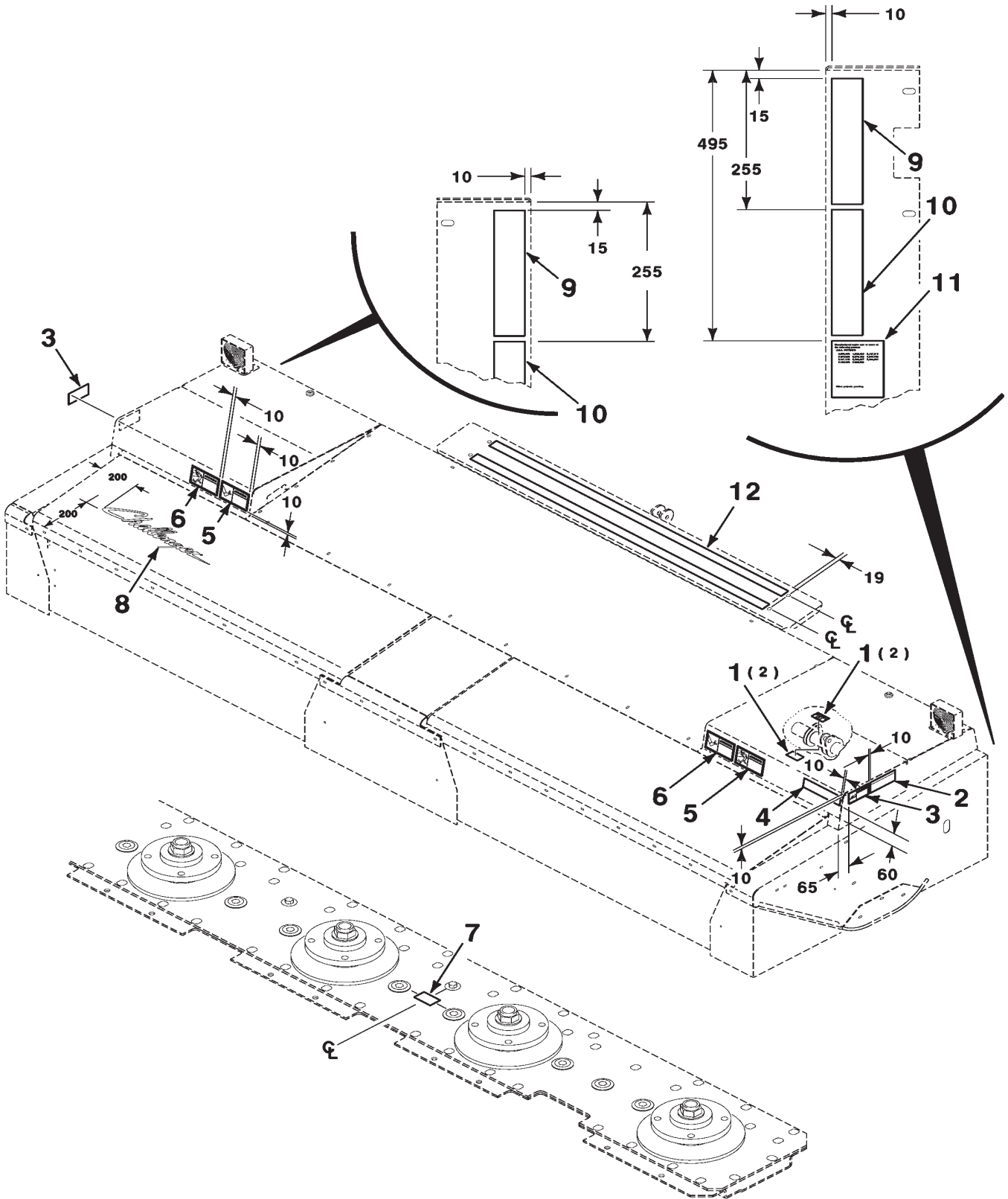
**HYDRAULIC MOTOR ASSEMBLY**  
**(700725088 HYDRAULIC MOTOR ASSEMBLY)**

ITEM	NUMBER	QTY	DESCRIPTION
-	700725088	1	HYDRAULIC MOTOR ASSEMBLY
1	700722858	2	RETAINING RING
2	71355384	2	RETAINING RING
3	71355386	1	BALL BEARING
4	700722859	1	SHAFT
5	1077960M1	1	SHUTTLE SPOOL
6	700722860	1	BEARING-NEEDLE
7	700722866	1	VALVE PLATE
8	700722865	1	CYLINDER BLOCK KIT
9	700722852	4	PIN-SLIPPER HOLD DOWN
10	700722853	1	GUIDE-SLIPPER RETAINER
11	700722854	9	PISTON ASSEMBLY
12	700722851	1	THRUST PLATE
13	700722855	1	O-RING AND SEAL REPAIR KIT (Includes Items Marked with Asterisk *)

700725088-0

DECALS AND LOCATION DIAGRAM

DECALS AND LOCATION DIAGRAM



**DKHC ROTARY HEADER CONDITIONER-ROLLER  
DECALS AND KITS**

**91**

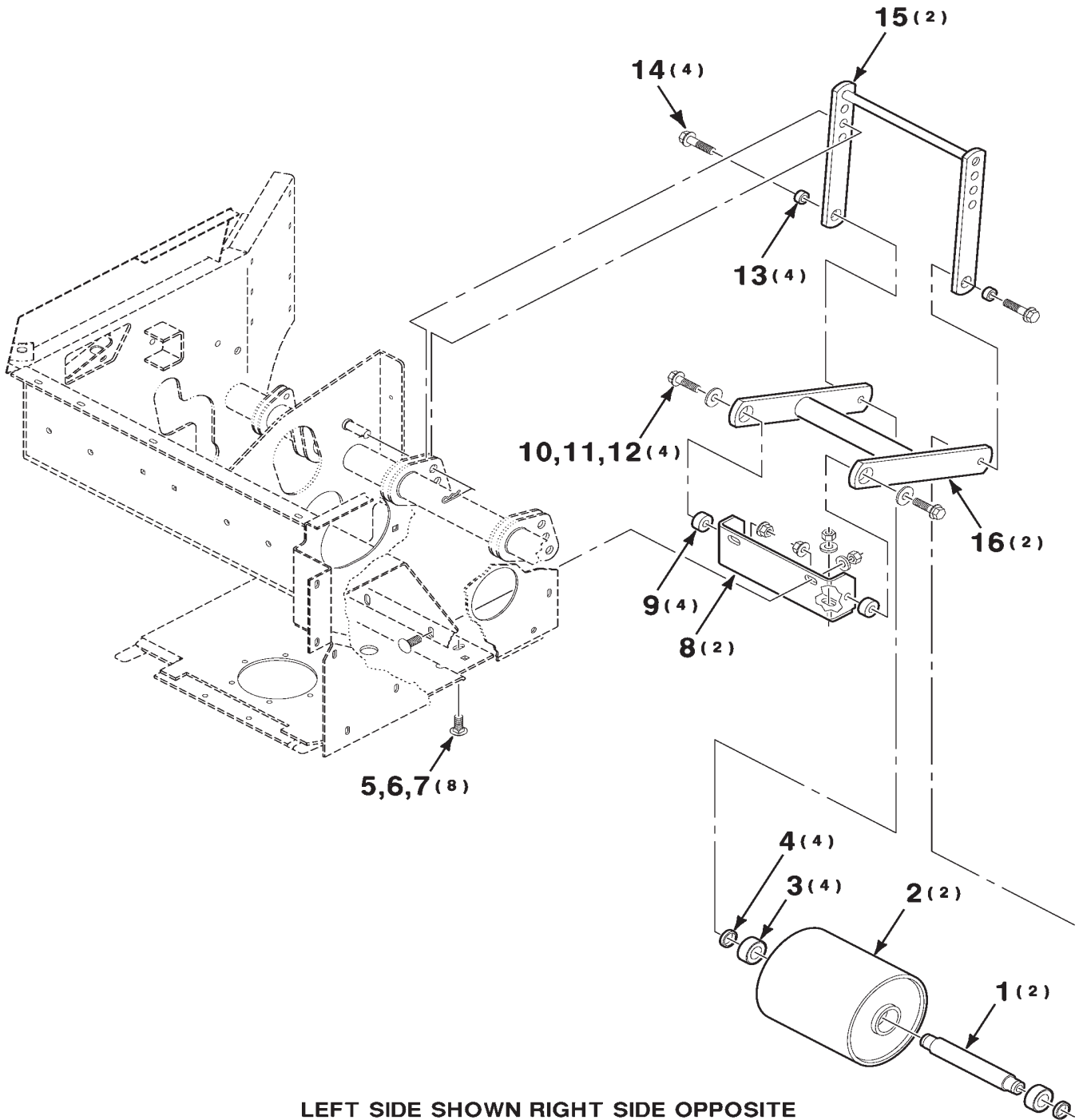
**DECALS AND LOCATION DIAGRAM**

ITEM	NUMBER	QTY	DESCRIPTION
1	700713522	4	DECAL-TIE
2	700714138	1	DECAL-NOTICE
3	700713551	2	DECAL-DANGER
4	700717403	1	REFLECTOR-AMBER
5	700714362	2	DECAL-WARNING
6	700714361	2	DECAL-WARNING
7	700713252	1	DECAL-FACTORY FILLED
8	700723231	1	DECAL-CHALLENGER, 10.00
9	700717402	2	REFLECTOR-RED
10	700717404	2	REFLECTOR-RED-ORANGE
11	700716119	1	DECAL-PATENTS
12	6849178	1	TREAD-SAFETY (10 FOOT BULK) (CUT TO REQUIRED LENGTH)

700160904-0

GAUGE ROLLER KIT  
(BK11136 GAUGE ROLLER KIT)

**GAUGE ROLLER KIT**  
**(BK11136 GAUGE ROLLER KIT)**



LEFT SIDE SHOWN RIGHT SIDE OPPOSITE

DKHC ROTARY HEADER CONDITIONER-ROLLER  
DECALS AND KITS

93

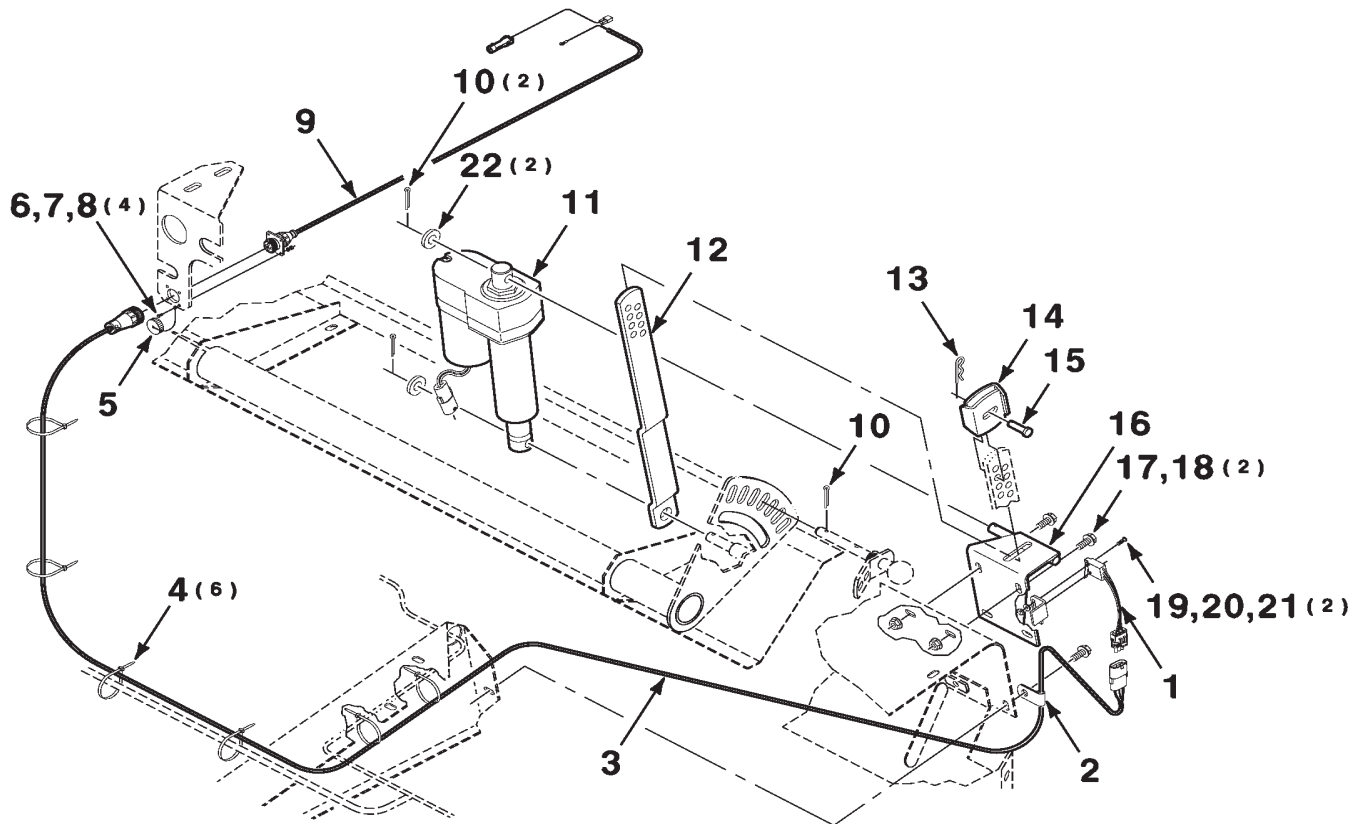
GAUGE ROLLER KIT  
(BK11136 GAUGE ROLLER KIT)

ITEM	NUMBER	QTY	DESCRIPTION
-	BK11136	1	GAUGE ROLLER KIT
1	700161518	2	SHAFT
2	700161514B	2	TUBE WA
3	700709106	4	BEARING
4	700154374	4	SPACER
5	68619	8	1/2-13 X 1-1/4 RHSNB
6	705541	8	1/2 HARDENED PLAIN WASHER
7	704031	8	1/2-13 H
8	700130291	2	ANGLE
9	6235071B	4	BUSHING
10	7883432	4	1/2-13 X 1-3/4 HFS GR8
11	700711557	4	1/2 HARDENED WIDE PLAIN WASHER
12	Y704742	4	1/2-13 HFTLN GR/G
13	6368930	4	BUSHING-LINK
14	700711347	4	5/8-11 X 2-1/2 HFS GR8
15	700164334B	2	STRAP WA
16	700156546B	2	STRAP WA

700951993-0

SWATHBOARD ACTUATOR KIT  
(BK11097 SWATHBOARD ACTUATOR KIT)

**SWATHBOARD ACTUATOR KIT**  
(BK11097 SWATHBOARD ACTUATOR KIT)





**DKHC ROTARY HEADER CONDITIONER-ROLLER  
DECALS AND KITS**

95

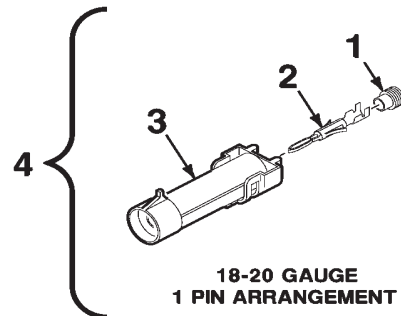
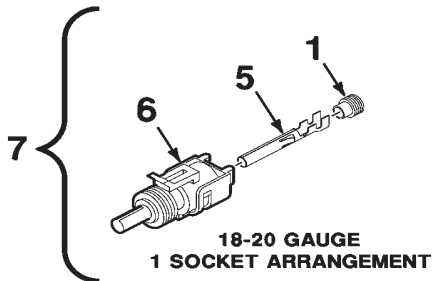
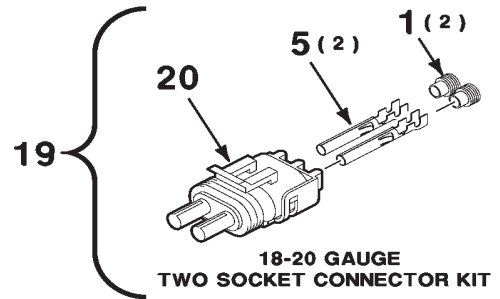
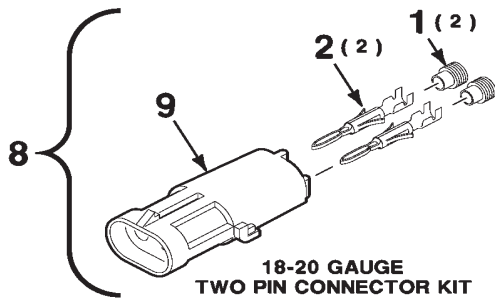
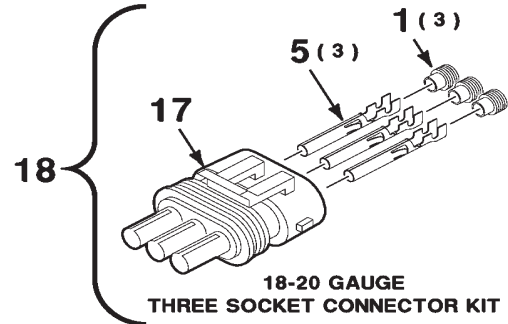
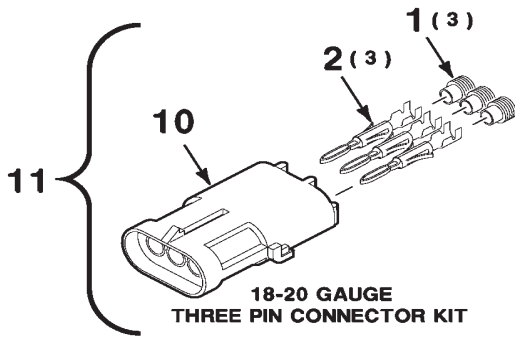
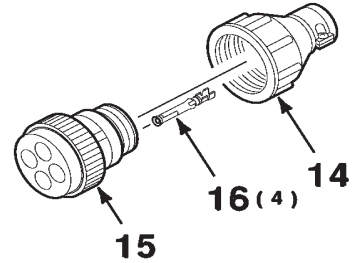
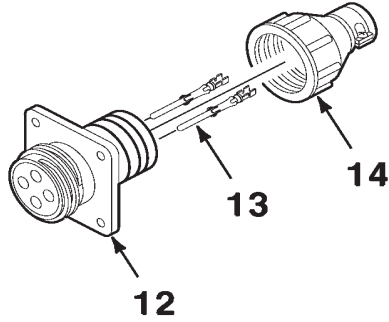
**SWATHBOARD ACTUATOR KIT  
(BK11097 SWATHBOARD ACTUATOR KIT)**

ITEM	NUMBER	QTY	DESCRIPTION
-	BK11097	1	SWATHBOARD ACTUATOR KIT
1	700715254	1	SWITCH-SENSOR
2	70928654	1	CLAMP
3	700721565	1	HARNESS-WIRE
4	70925442	6	TIE-CABLE
5	700713526	1	CAP-SEALING
6	700707770	4	No. 4-40 X 3/8 CRPHMS GR60M
7	375140X1	4	No. 4 L
8	700701035	4	No. 4-40 H
9	700721564	1	HARNESS-WIRE
10	70918451	3	1/8 X 3/4 COTTER PIN
11	700716432	1	ACTUATOR
12	700158636	1	STRAP-STOP
13	62505	1	.120 HAIRPIN COTTER
14	700158637B	1	STOP WA
15	63578	1	3/8 X 1 CLEVIS PIN
16	700158632B	1	SUPPORT WA-ACTUATOR
17	7883325	2	5/16-18 X 3/4 HWHMS
18	70931277	2	5/16-18 HFSLN
19	700710188	2	No. 6-32 X 3/4 CRPHMS GR60M
20	700703830	2	No. 6 PLAIN WASHER
21	704551	2	No. 6-32 H GR2
22	705541	2	1/2 HARDENED PLAIN WASHER

700951736-1

SWATHBOARD ACTUATOR KIT-Continued

SWATHBOARD ACTUATOR KIT-Continued



**DKHC ROTARY HEADER CONDITIONER-ROLLER  
DECALS AND KITS**

97

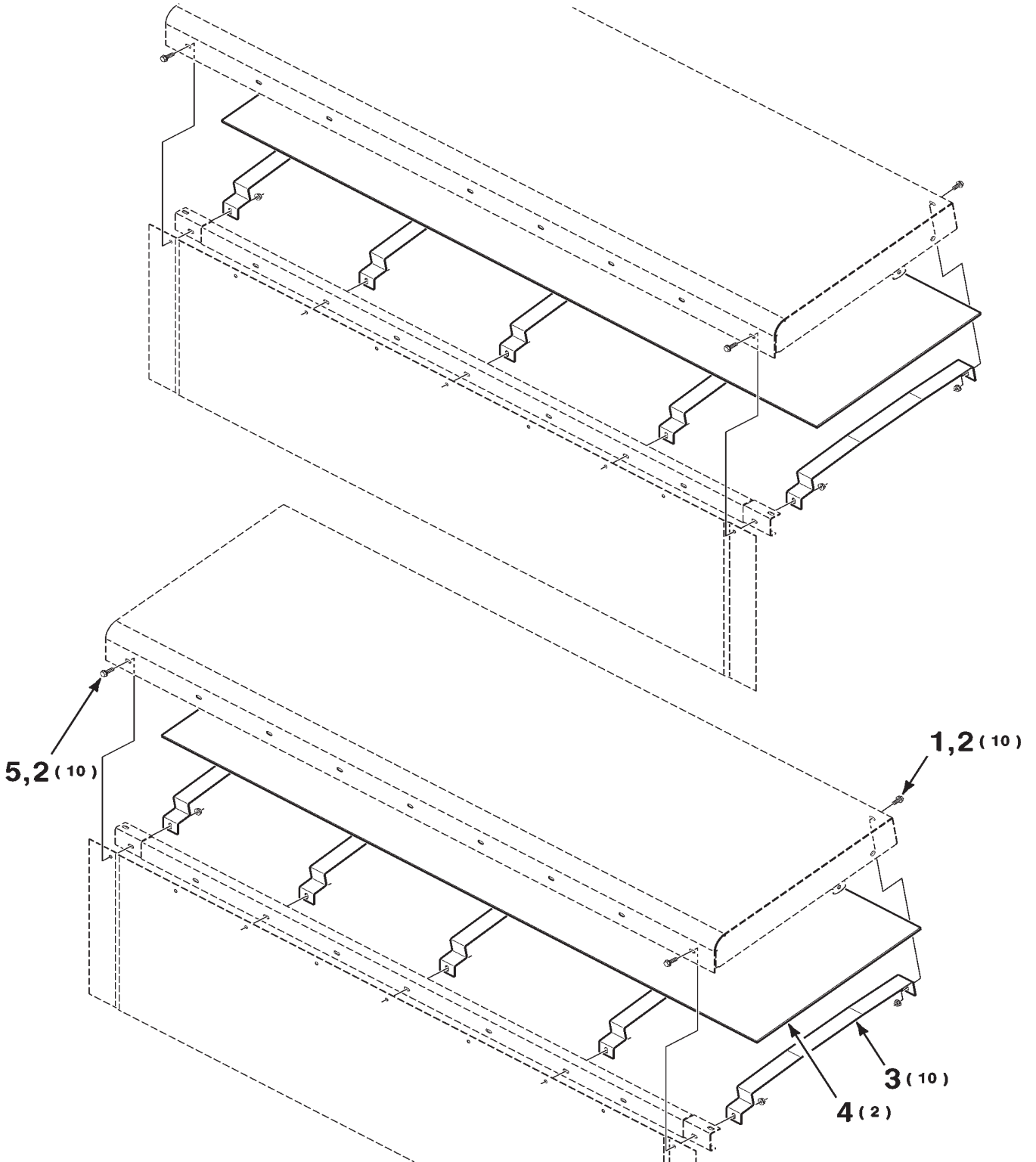
**SWATHBOARD ACTUATOR KIT-Continued**

ITEM	NUMBER	QTY	DESCRIPTION
1	700706400	AR	SEAL (18-20 GAUGE)
2	700706401	AR	PIN-MALE (18-20 GAUGE)
3	700718620	AR	CONNECTOR-1 PIN, MALE
4	700718621	1	KIT-HARNESS REPAIR, 1 PIN, MALE (Includes Items 1, 2 and 3)
5	700708760	AR	SOCKET-FEMALE (18-20 GAUGE)
6	700718579	AR	CONNECTOR-1 SOCKET, FEMALE
7	700718617	1	KIT-HARNESS REPAIR, 1 SOCKET, FEMALE (Includes Items 1, 5 and 6)
8	700708753	1	KIT-HARNESS REPAIR, 2 PIN, MALE (Includes Items 1, 2 and 9)
9	700706399	AR	CONNECTOR-SHROUD, 2 PIN, MALE
10	700706413	AR	CONNECTOR-SHROUD, 3 PIN, MALE
11	700718599	1	KIT-HARNESS REPAIR, SHROUD, 3 PIN, MALE (Includes Items 1, 2 and 10)
12	700707757	AR	4 PIN AMP RECEPTACLE
13	700708757	AR	PIN-TYPE 3, MALE (16-18 GAUGE)
14	700709233	AR	CLAMP-CABLE, SHELL SIZE 11
15	700709232	AR	PLUG-STANDARD SEX
16	700718607	AR	SOCKET-TYPE 3, FEMALE (14-18 GAUGE)
17	700709175	AR	CONNECTOR-TOWER, 3 SOCKET, FEMALE
18	700707001	1	KIT-HARNESS REPAIR, 3 SOCKET, FEMALE, (Includes Items 1, 5 and 17)
19	700706999	1	KIT-HARNESS REPAIR, 2 SOCKET, FEMALE, 18-20 GAUGE (Includes Items 1, 5 and 20)
20	700708761	AR	CONNECTOR-TOWER, 2 SOCKET, FEMALE

700951736-2

DOOR PROTECTOR KIT  
(BK11077 DOOR PROTECTOR KIT)

**DOOR PROTECTOR KIT**  
**(BK11077 DOOR PROTECTOR KIT)**



**DKHC ROTARY HEADER CONDITIONER-ROLLER  
DECALS AND KITS**

**99**

**DOOR PROTECTOR KIT  
(BK11077 DOOR PROTECTOR KIT)**

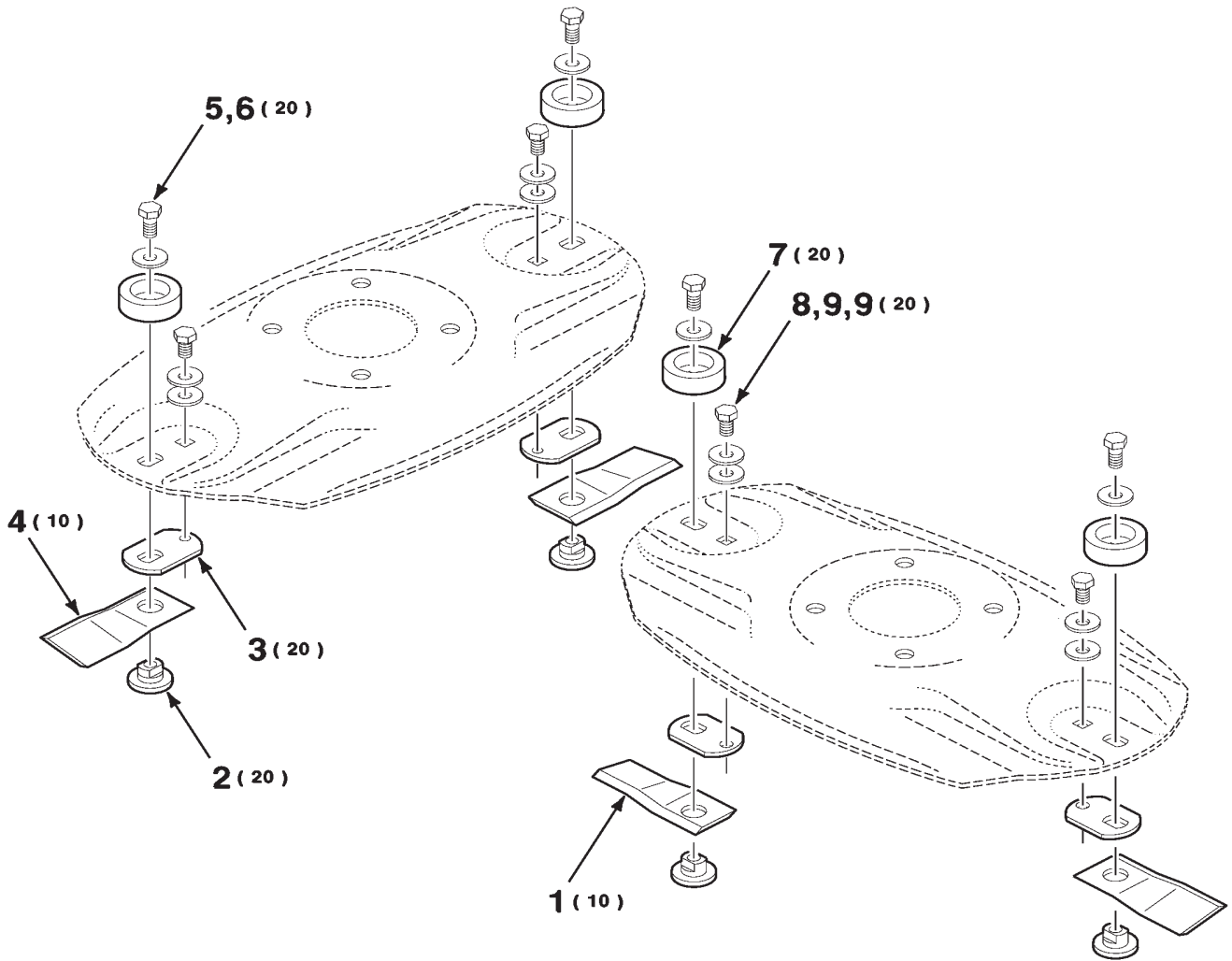
ITEM	NUMBER	QTY	DESCRIPTION
-	BK11077	1	DOOR PROTECTOR KIT
1	7883325	10	5/16-18 X 3/4 HWHMS
2	70931277	20	5/16-18 HFSLN
3	700154018	10	STRAP-SUPPORT
4	700725968	2	PANEL-STYRENE
5	7883333	10	5/16-18 X 1 HWHMS

700950685-0

PERFORMANCE PACKAGE  
(700161006 PERFORMANCE PACKAGE)

**PERFORMANCE PACKAGE**  
**(700161006 PERFORMANCE PACKAGE)**

---



**DKHC ROTARY HEADER CONDITIONER-ROLLER  
DECALS AND KITS**

**101**

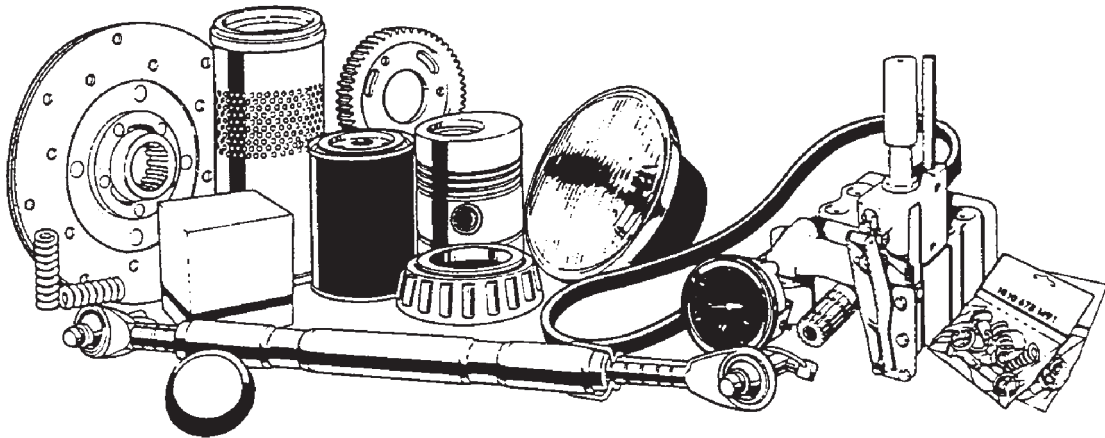
**PERFORMANCE PACKAGE  
(700161006 PERFORMANCE PACKAGE)**

ITEM	NUMBER	QTY	DESCRIPTION
-	700161006	1	PERFORMANCE PACKAGE
1	700715575	10	KNIFE-CLOCKWISE
2	700127073	20	NUT-KNIFE
3	700127071	20	MOUNTING-KNIFE
4	700715576	10	KNIFE-COUNTER CLOCKWISE
5	700711964	20	7/16-14 X 1 CAPSCREW-NYLOK, GR8
6	Y705558	20	7/16 HARDENED PLAIN WASHER
7	700127072	20	SHIELD-BOLT, KNIFE
8	700711877	20	3/8-16 X 1/2 CAPSCREW-NYLOK, GR8
9	Y705533	40	3/8 HARDENED PLAIN WASHER

700161006-0

RECOMMENDED DEALER STOCK

# RECOMMENDED DEALER'S STOCK





**DKHC ROTARY HEADER CONDITIONER-ROLLER  
DECALS AND KITS**

103

**RECOMMENDED DEALER STOCK**

ITEM	NUMBER	QTY	DESCRIPTION
	1441456X1	5	M8 X 1.25 X 20 BOLT, SPECIAL
	163733	2	FLANGETTE-BEARING
	30366E91	1	CROSS AND BEARING KIT
	6232532	2	LEVER ASSEMBLY
	63784	2	1/4 X 1-1/2 CLEVIS PIN
	700127072	20	SHIELD-BOLT, KNIFE
	700127073	20	NUT-KNIFE
	700127414	1	HEX KEY SOCKET-EXTRA
	700128266	1	WRENCH-SPANNER, EXTRA
	700149964	1	OIL BOTTLE ASSEMBLY
	700158630C	1	DISC-SENSOR
	700706398	3	INDUCTIVE SENSOR
	700708648	1	BUMPER-RUBBER
	700711843	2	CROSS AND BEARING KIT
	700711877	20	3/8-16 X 1/2 HCNLS GR8 (SPECIAL)
	700711964	40	7/16-14 X 1 HCNLS GR8 (SPECIAL)
	700712361	4	BEARING ASSEMBLY-TAPERED
	700712362	1	SEAL-OIL
	700712375	1	RING-RETAINING
	700712393	2	WASHER-COPPER
	700712395	1	PIN-SPRING, M10 X 12
	700712401	100	M10 X 1.5 X 30 SCREW
	700712409	1	WASHER-BELLEVILLE
	700712415	15	RING-RETAINING
	700712417	10	M20 X 2.5 X 30 BOLT
	700712418	2	SHIM 40.3 X 1.0
	700712420	4	GEAR
	700712886	1	BREATHER
	700713471	1	RING-RETAINING
	700714310	1	BEARING
	700714715	2	V-BELT (Matched Set of Two)
	700714841	1	GASKET
	700715575	20	KNIFE-CLOCKWISE
	700715576	20	KNIFE-COUNTER CLOCKWISE
	700718347	10	NUT
	700718348	5	PIN
	700718349	20	SHIM
	700718360	2	GEAR
	700718362	6	BEARING
	700718363	6	SNAP RING
	700721267	1	V-BELT, 4HA POWERBAND
	700721328	2	BEARING-SPHERICAL, SPECIAL
	700723123	1	SEAL-OIL
	700725120	1	SEAL-OIL
	700726228	8	BEARING
	70921205	10	.755 I.D. O-RING
	70921206	10	.924 I.D. O-RING
	71138464	2	FLANGE-BEARING
	71193862	2	LENS
	71309128	1	BEARING-SPHERICAL
	776682	2	HOOK-RUBBER
	7774664	50	M10 X 1.5 H CL10
	853804	1	IDLER-FLAT

RDL