

Challenger[®]

Parts Manual

**DKHB
ROTARY HEADER**



ALPHABETICAL INDEX

The complete alphabetical index appears at the beginning of this publication. It is used to locate major groups, assemblies and components.

NUMERICAL INDEX

The numerical index of this publication follows the Alphabetical Index at the beginning of the publication and indicates at which grid location and page number a part number appears.

ILLUSTRATIONS

All illustrations are located on the left hand page with the text on the right. Except for some common hardware, all parts are identified with an item number which corresponds to the item column on the text page. This is followed by the parts number, quantity and description.

HARDWARE

Common hardware not identified such as bolts, nuts, cotter pins and lube fittings, are listed indented in the text beneath the item to which they attach or fit. Common hardware listed indented beneath an item is NOT included unless specified. Example: (Incl. BOLT, LOCKWASHER AND NUT).

ORDERING PARTS

Be sure to refer to both the text and the illustration to assure ordering the correct part.

RECOMMENDED DEALER STOCK

A recommended dealer stock listing appears at the end of this publication.



DKHB ROTARY HEADER

DECALS AND KITS

DECALS AND LOCATION DIAGRAM (12 FOOT)	153
DECALS AND LOCATION DIAGRAM (15 FOOT)	155
DOOR PROTECTOR KIT (12 FOOT) (BK11030 DOOR PROTECTOR KIT)	163
DOOR PROTECTOR KIT (15 FOOT) (BK11077 DOOR PROTECTOR KIT)	165
ELECTRICAL HARNESS SERVICE PARTS	161
GAUGE WHEEL KIT (15 FOOT) (BK11096 GAUGE WHEEL KIT)	157
HEADER ADAPTER KIT (SP165) (BK11153 HEADER ADAPTER KIT (SP165))	169
HIGH SKID SHOE KIT (BK10995 HIGH SKID SHOE KIT)	167
PERFORMANCE PACKAGE (12 FOOT) (700161005 PERFORMANCE PACKAGE-12 FOOT)	171
PERFORMANCE PACKAGE (15 FOOT) (700161006 PERFORMANCE PACKAGE-15 FOOT)	173
SWATHBOARD ACTUATOR KIT (BK11097 SWATHBOARD ACTUATOR KIT)	159

DRIVES

GEARBOX ASSEMBLY (12 FOOT)	39
GEARBOX ASSEMBLY (12 FOOT) (700726375 GEARBOX ASSEMBLY)	15
GEARBOX ASSEMBLY (15 FOOT) (700149848 GEARBOX ASSEMBLY)	41
GEARBOX ASSEMBLY (15 FOOT) (700717706 GEARBOX ASSEMBLY)	23
HAY CONDITIONER DRIVE (15 FOOT)	37
HAY CONDITIONER DRIVE-LEFT (12 FOOT)	33
HAY CONDITIONER DRIVE-RIGHT (12 FOOT)	35
HEADER DRIVE (12 FOOT) (S.N. HM05101 THRU HP05100)	11
HEADER DRIVE (12 FOOT) (S.N. HP05101 AND LATER)	13
HEADER DRIVE CAGE ASM-LEFT (15 FOOT)	25
HEADER DRIVE CAGE ASM-RIGHT (15 FOOT)	27
HEADER DRIVE-LEFT (15 FOOT)	17
HEADER DRIVE-RIGHT (15 FOOT) (S.N. HM05101 THRU HP05100)	19
HEADER DRIVE-RIGHT (15 FOOT) (S.N. HP05101 AND LATER)	21
HOUSING ASSEMBLY (S.N. HM05101 THRU HP05100)	29
HOUSING ASSEMBLY (700722693 HOUSING ASSEMBLY) (S.N. HP05101 AND LATER)	31
U-JOINT ASM-UPPER H/C DRIVE (15 FOOT) (700705407 U-JOINT ASSEMBLY)	51
U-JOINT ASSEMBLY (12 FOOT) (700719402 U-JOINT ASSEMBLY)	45
U-JOINT ASSEMBLY (15 FOOT) (700713437 U-JOINT ASSEMBLY)	47
U-JOINT ASSEMBLY (15 FOOT) (700715721 U-JOINT ASSEMBLY)	49
U-JOINT ASSEMBLY-TIMING (12 FOOT) (700719226 U-JOINT ASSEMBLY)	43
U-JOINT ASSEMBLY-TIMING (15 FOOT) (700721265 U-JOINT ASSEMBLY)	53

ELECTRICAL

ELECTRICAL HARNESS AND FLASHER (15 FOOT)	83
ELECTRICAL HARNESS SERVICE PARTS	85
ELECTRICAL HARNESS-SENSOR (12 FOOT)	81

FRAME AND SHIELDS

CURTAIN MOUNTING	125
FORMING SHIELDS MOUNTING	127
HEADER FRAME (12 FOOT)	107
HEADER FRAME (15 FOOT)	109
SHIELDS-CENTER SAFETY (12 FOOT)	129
SHIELDS-CENTER SAFETY (15 FOOT)	135
SHIELDS-LEFT CUTTERBAR (12 FOOT)	117
SHIELDS-LEFT CUTTERBAR (15 FOOT)	121
SHIELDS-LEFT SAFETY (12 FOOT)	131
SHIELDS-LEFT SAFETY (15 FOOT)	137
SHIELDS-RIGHT CUTTERBAR (12 FOOT)	119
SHIELDS-RIGHT CUTTERBAR (15 FOOT)	123
SHIELDS-RIGHT SAFETY (12 FOOT)	133
SHIELDS-RIGHT SAFETY (15 FOOT)	139
SKID SHOE-LEFT AND RIGHT (15 FOOT)	141
SWATHBOARD MOUNTING	115

HAY CONDITIONER

HAY CONDITIONER CAM	97
HAY CONDITIONER MOUNTING-LEFT (12 FOOT)	89
HAY CONDITIONER MOUNTING-LEFT (15 FOOT)	93
HAY CONDITIONER MOUNTING-RIGHT (12 FOOT)	91
HAY CONDITIONER MOUNTING-RIGHT (15 FOOT)	95
PIVOT ASSEMBLY-LEFT (12 FOOT)	99
PIVOT ASSEMBLY-LEFT (15 FOOT)	103
PIVOT ASSEMBLY-RIGHT (12 FOOT)	101
PIVOT ASSEMBLY-RIGHT (15 FOOT)	105

HYDRAULICS

HYDRAULIC DRIVE (12 FOOT) (S.N. HM05101 THRU HP05100)	143
HYDRAULIC DRIVE (12 FOOT) (S.N. HP05101 AND LATER)	147
HYDRAULIC DRIVE (15 FOOT) (S.N. HM05101 THRU HP05100)	145
HYDRAULIC DRIVE (15 FOOT) (S.N. HP05101 AND LATER)	149
HYDRAULIC MOTOR ASSEMBLY (700725088 HYDRAULIC MOTOR ASSEMBLY)	151

RECOMMENDED DEALER STOCK

RECOMMENDED DEALER STOCK	175
--------------------------------	-----

SICKLE

CUTTER BAR ASSEMBLY (12 FOOT) (700713464 CUTTER BAR ASSEMBLY)	59
CUTTER BAR ASSEMBLY (15 FOOT) (700149848 GEARBOX ASSEMBLY)	61
CUTTER BAR, ROCK GUARD AND SKID SHOE (12 FOOT)	55
CUTTER BAR, ROCK GUARD AND SKID SHOE (15 FOOT)	57
CUTTER DISC MOUNTING-LEFT (12 FOOT)	63
CUTTER DISC MOUNTING-LEFT (15 FOOT)	67
CUTTER DISC MOUNTING-RIGHT (12 FOOT)	65
CUTTER DISC MOUNTING-RIGHT (15 FOOT)	69
CUTTER OIL BOTTLE (700149964 OIL BOTTLE ASSEMBLY)	79
DISC ASSEMBLY (15 FOOT)	75
SPINDLE ASSEMBLY (INNER) (700719597 SPINDLE ASSEMBLY-INNER)	71
SPINDLE ASSEMBLY (OUTER) (700719598 SPINDLE ASSEMBLY-OUTER)	73
U-JOINT ASSEMBLY (CUTTER DISC) (700721264 U-JOINT ASSEMBLY)	77

INDEX

Part No.	Page	Grid	Part No.	Page	Grid	Part No.	Page	Grid	Part No.	Page	Grid
BK10995	167	1-B 21	Y705533	37	1-B 8	52159	33	1-B 8	700121385B	93	1-B 14
BK11030	163	1-B 21	Y705533	57	1-B 10	52167	115	1-B 16	700127062C	63	1-B 11
BK11077	165	1-B 21	Y705533	75	1-B 12	52175	37	1-B 8	700127062C	65	1-B 11
BK11096	157	1-B 20	Y705533	89	1-B 13	6124259	131	1-B 18	700127062C	67	1-B 11
BK11097	159	1-B 20	Y705533	91	1-B 14	6124259	133	1-B 18	700127062C	69	1-B 11
BK11153	169	1-B 21	Y705533	93	1-B 14	6124259	137	1-B 18	700127071	75	1-B 12
Y47530	97	1-B 14	Y705533	95	1-B 14	6124259	139	1-B 18	700127071	171	1-B 22
Y52258	33	1-B 8	Y705533	115	1-B 16	6146542	97	1-B 14	700127071	173	1-B 22
Y52316	33	1-B 8	Y705533	117	1-B 16	6171060B	97	1-B 14	700127072	75	1-B 12
Y703132	129	1-B 17	Y705533	119	1-B 16	6189971C	33	1-B 8	700127072	173	1-B 22
Y703132	135	1-B 18	Y705533	121	1-B 17	6189971C	37	1-B 8	700127072	175	1-B 22
Y704015	63	1-B 11	Y705533	123	1-B 17	6189989	33	1-B 8	700127073	75	1-B 12
Y704015	65	1-B 11	Y705533	127	1-B 17	6189989	37	1-B 8	700127073	171	1-B 22
Y704015	67	1-B 11	Y705533	141	1-B 19	62166	117	1-B 16	700127073	173	1-B 22
Y704015	69	1-B 11	Y705533	171	1-B 22	62166	119	1-B 16	700127073	175	1-B 22
Y704015	81	1-B 13	Y705533	173	1-B 22	62166	121	1-B 17	700127112C	99	1-B 14
Y704015	83	1-B 13	Y705558	75	1-B 12	62166	123	1-B 17	700127121C	101	1-B 15
Y704015	127	1-B 17	Y705558	141	1-B 19	62174	115	1-B 16	700127123C	89	1-B 13
Y704015	129	1-B 17	Y705558	171	1-B 22	6232532	127	1-B 17	700127123C	91	1-B 14
Y704015	135	1-B 18	Y705558	173	1-B 22	6235071B	37	1-B 8	700127123C	93	1-B 14
Y704072	137	1-B 18	Y705582	37	1-B 8	6235071B	141	1-B 19	700127123C	95	1-B 14
Y704080	141	1-B 19	Y705582	89	1-B 13	6235071B	157	1-B 20	700127224	117	1-B 16
Y704726	63	1-B 11	Y705582	91	1-B 14	62505	159	1-B 20	700127224	119	1-B 16
Y704726	65	1-B 11	Y705582	93	1-B 14	63578	159	1-B 20	700127224	121	1-B 17
Y704726	67	1-B 11	Y705582	95	1-B 14	63784	137	1-B 18	700127224	123	1-B 17
Y704726	69	1-B 11	Y707042	141	1-B 19	63784	139	1-B 18	700127393C	127	1-B 17
Y704726	89	1-B 13	Y707042	167	1-B 21	63784	175	1-B 22	700127394C	127	1-B 17
Y704726	91	1-B 14	Y708230	11	1-B 6	6453799P	141	1-B 19	700127395P	127	1-B 17
Y704726	93	1-B 14	Y708230	13	1-B 6	6457782	55	1-B 10	700127396C	127	1-B 17
Y704726	95	1-B 14	Y708230	17	1-B 6	6457782	57	1-B 10	700127414	59	1-B 10
Y704726	97	1-B 14	Y708230	19	1-B 6	6472948	117	1-B 16	700127414	61	1-B 11
Y704726	115	1-B 16	Y708230	21	1-B 7	6472948	119	1-B 16	700127417C	97	1-B 14
Y704726	129	1-B 17	Y761197	33	1-B 8	6472948	121	1-B 17	700128253C	127	1-B 17
Y704726	135	1-B 18	Y761197	35	1-B 8	6472948	123	1-B 17	700128266	59	1-B 10
Y704734	35	1-B 8	Y761197	37	1-B 8	6489231	115	1-B 16	700128266	61	1-B 11
Y704734	37	1-B 8	Y761239	25	1-B 7	6559314C	67	1-B 11	700128266	175	1-B 22
Y704734	55	1-B 10	Y761239	27	1-B 7	6559314C	69	1-B 11	700130184C	107	1-B 15
Y704734	57	1-B 10	1077960M1	151	1-B 20	6559876	127	1-B 17	700130184C	109	1-B 15
Y704734	111	1-B 16	1440249X1	59	1-B 10	6595516C	115	1-B 16	700130189	167	1-B 21
Y704734	113	1-B 16	1440249X1	175	1-B 22	6834394C	89	1-B 13	700130220C	131	1-B 18
Y704734	115	1-B 16	1441456X1	59	1-B 10	6834394C	91	1-B 14	700130220C	133	1-B 18
Y704734	127	1-B 17	1441456X1	61	1-B 11	6834394C	93	1-B 14	700130220C	137	1-B 18
Y704734	131	1-B 18	163733	89	1-B 13	6834394C	95	1-B 14	700130220C	139	1-B 18
Y704734	167	1-B 21	163733	91	1-B 14	6849178	153	1-B 20	700130235C	33	1-B 8
Y704742	11	1-B 6	163733	93	1-B 14	6849178	155	1-B 20	700130238	37	1-B 8
Y704742	19	1-B 6	163733	95	1-B 14	6849178	169	1-B 21	700130240P	39	1-B 8
Y704742	33	1-B 8	163733	175	1-B 22	68619	157	1-B 20	700130243	41	1-B 9
Y704742	89	1-B 13	1702893	59	1-B 10	6869382	127	1-B 17	700130244	39	1-B 8
Y704742	91	1-B 14	1702893	61	1-B 11	68759	55	1-B 10	700130244	41	1-B 9
Y704742	93	1-B 14	1703354	169	1-B 21	68759	127	1-B 17	700130246	39	1-B 8
Y704742	95	1-B 14	214817C	111	1-B 16	69674	99	1-B 14	700130246	41	1-B 9
Y704742	111	1-B 16	282269C	25	1-B 7	69674	101	1-B 15	700130247C	37	1-B 8
Y704742	113	1-B 16	282269C	27	1-B 7	69674	103	1-B 15	700130253C	127	1-B 17
Y704742	117	1-B 16	29780X	37	1-B 8	69674	105	1-B 15	700130259	127	1-B 17
Y704742	119	1-B 16	30366E91	47	1-B 9	700108790B	89	1-B 13	700130263C	127	1-B 17
Y704742	121	1-B 17	30366E91	51	1-B 10	700108790B	91	1-B 14	700130264C	127	1-B 17
Y704742	123	1-B 17	30366E91	175	1-B 22	700108790B	93	1-B 14	700130291B	157	1-B 20
Y704742	157	1-B 20	327296B	111	1-B 16	700108790B	95	1-B 14	700130303	39	1-B 8
Y704742	169	1-B 21	353436X1	81	1-B 13	700108796B	127	1-B 17	700130303	41	1-B 9
Y705525	63	1-B 11	353436X1	83	1-B 13	700110610	113	1-B 16	700130568P	127	1-B 17
Y705525	65	1-B 11	353769X1	169	1-B 21	700114925	107	1-B 15	700130652C	17	1-B 6
Y705525	67	1-B 11	364941X1	127	1-B 17	700114925	109	1-B 15	700130652C	19	1-B 6
Y705525	69	1-B 11	373839X1	131	1-B 18	700115122C	89	1-B 13	700130652C	21	1-B 7
Y705525	81	1-B 13	373839X1	133	1-B 18	700115122C	93	1-B 14	700133541	89	1-B 13
Y705525	83	1-B 13	373839X1	137	1-B 18	700115158B	107	1-B 15	700133541	91	1-B 14
Y705525	97	1-B 14	373839X1	139	1-B 18	700115158B	109	1-B 15	700133541	93	1-B 14
Y705525	127	1-B 17	375113X1	107	1-B 15	700118104C	97	1-B 14	700133541	95	1-B 14
Y705525	129	1-B 17	375113X1	109	1-B 15	700118107C	89	1-B 13	700134748C	115	1-B 16
Y705525	135	1-B 18	375140X1	159	1-B 20	700118107C	91	1-B 14	700147639C	33	1-B 8
Y705525	137	1-B 18	382069	125	1-B 17	700118107C	93	1-B 14	700149797P	107	1-B 15
Y705525	139	1-B 18	382069	127	1-B 17	700118107C	95	1-B 14	700149797P	109	1-B 15
Y705533	17	1-B 6	385625	89	1-B 13	700119691	157	1-B 20	700149829	107	1-B 15
Y705533	19	1-B 6	385625	91	1-B 14	700119865C	97	1-B 14	700149829	109	1-B 15
Y705533	21	1-B 7	385625	93	1-B 14	700119868C	97	1-B 14	700149830P	115	1-B 16
Y705533	35	1-B 8	385625	95	1-B 14	700121385B	89	1-B 13	700149834P	115	1-B 16

DKHB ROTARY HEADER

5
INDEX

Part No.	Page	Grid	Part No.	Page	Grid	Part No.	Page	Grid	Part No.	Page	Grid
700149838C	115	1-B 16	700149940C	135	1-B 18	700158630C	25	1-B 7	700706398	175	1-B 22
700149839P	115	1-B 16	700149941C	89	1-B 13	700158632B	159	1-B 20	700706399	85	1-B 13
700149841P	113	1-B 16	700149941C	93	1-B 14	700158636	159	1-B 20	700706399	87	1-B 13
700149842C	169	1-B 21	700149942P	89	1-B 13	700158637B	159	1-B 20	700706399	161	1-B 21
700149846	113	1-B 16	700149946C	91	1-B 14	700158639B	157	1-B 20	700706400	85	1-B 13
700149847P	115	1-B 16	700149946C	95	1-B 14	700158643B	157	1-B 20	700706400	87	1-B 13
700149848	37	1-B 8	700149960C	137	1-B 18	700160893C	95	1-B 14	700706400	161	1-B 21
700149848	41	1-B 9	700149961C	137	1-B 18	700160896C	63	1-B 11	700706401	85	1-B 13
700149848	61	1-B 11	700149962C	139	1-B 18	700160896C	65	1-B 11	700706401	87	1-B 13
700149850P	41	1-B 9	700149964	59	1-B 10	700160896C	67	1-B 11	700706401	161	1-B 21
700149851P	33	1-B 8	700149964	61	1-B 11	700160896C	69	1-B 11	700706413	161	1-B 21
700149855P	37	1-B 8	700149964	79	1-B 12	700160897C	63	1-B 11	700706817	145	1-B 19
700149857C	37	1-B 8	700149964	175	1-B 22	700160897C	65	1-B 11	700706817	149	1-B 19
700149858P	55	1-B 10	700149969C	113	1-B 16	700160897C	67	1-B 11	700706999	85	1-B 13
700149858P	57	1-B 10	700149970P	111	1-B 16	700160897C	69	1-B 11	700706999	87	1-B 13
700149861C	55	1-B 10	700149970P	113	1-B 16	700160898	137	1-B 18	700706999	161	1-B 21
700149861C	57	1-B 10	700149972P	111	1-B 16	700160898	139	1-B 18	700707001	161	1-B 21
700149863C	55	1-B 10	700149972P	113	1-B 16	700160907C	25	1-B 7	700707203	131	1-B 18
700149863C	57	1-B 10	700149973	137	1-B 18	700160907C	27	1-B 7	700707203	133	1-B 18
700149866	117	1-B 16	700149973	139	1-B 18	700160909C	25	1-B 7	700707203	137	1-B 18
700149866	119	1-B 16	700149974P	129	1-B 17	700160909C	27	1-B 7	700707203	139	1-B 18
700149866	121	1-B 17	700149974P	135	1-B 18	700160910P	25	1-B 7	700707757	161	1-B 21
700149866	123	1-B 17	700149980C	97	1-B 14	700160910P	27	1-B 7	700707758	87	1-B 13
700149867	55	1-B 10	700149982P	19	1-B 6	700160917C	37	1-B 8	700707770	159	1-B 20
700149867	57	1-B 10	700149982P	21	1-B 7	700160917C	175	1-B 22	700708327	39	1-B 8
700149868C	63	1-B 11	700149983C	115	1-B 16	700160917C	175	1-B 22	700708327	41	1-B 9
700149868C	65	1-B 11	700152261P	111	1-B 16	700160920C	37	1-B 8	700708480	97	1-B 14
700149868C	67	1-B 11	700152270P	111	1-B 16	700160921C	37	1-B 8	700708648	131	1-B 18
700149868C	69	1-B 11	700152275C	107	1-B 15	700160934C	103	1-B 15	700708648	133	1-B 18
700149870C	29	1-B 7	700152288C	131	1-B 18	700160938C	105	1-B 15	700708648	137	1-B 18
700149876	29	1-B 7	700152290P	117	1-B 16	700160940C	113	1-B 16	700708648	139	1-B 18
700149877	29	1-B 7	700152290P	119	1-B 16	700160946C	113	1-B 16	700708649	127	1-B 17
700149878	29	1-B 7	700152292C	117	1-B 16	700160949C	109	1-B 15	700708753	85	1-B 13
700149879	29	1-B 7	700152292C	119	1-B 16	700160951C	141	1-B 19	700708753	87	1-B 13
700149879	143	1-B 19	700152303	39	1-B 8	700160953C	141	1-B 19	700708753	161	1-B 21
700149879	145	1-B 19	700152304C	33	1-B 8	700160962C	35	1-B 8	700708757	87	1-B 13
700149881P	17	1-B 6	700152305C	33	1-B 8	700160989	125	1-B 17	700708757	161	1-B 21
700149881P	19	1-B 6	700152309	33	1-B 8	700160990	125	1-B 17	700708758	87	1-B 13
700149881P	21	1-B 7	700152311	33	1-B 8	700161005	171	1-B 22	700708760	85	1-B 13
700149890C	25	1-B 7	700152383C	89	1-B 13	700161006	173	1-B 22	700708760	87	1-B 13
700149890C	27	1-B 7	700152383C	93	1-B 14	700161094P	81	1-B 13	700708760	161	1-B 21
700149892P	81	1-B 13	700152386C	91	1-B 14	700161095C	131	1-B 18	700708761	85	1-B 13
700149892P	83	1-B 13	700152386C	95	1-B 14	700161097C	133	1-B 18	700708761	87	1-B 13
700149893C	121	1-B 17	700152393P	35	1-B 8	700161548	141	1-B 19	700708761	161	1-B 21
700149893C	123	1-B 17	700152406C	133	1-B 18	700161549B	141	1-B 19	700708803	35	1-B 8
700149900C	121	1-B 17	700152408C	131	1-B 18	700161550B	169	1-B 21	700708948	43	1-B 9
700149900C	123	1-B 17	700152418P	131	1-B 18	700161568C	89	1-B 13	700708949	43	1-B 9
700149901P	117	1-B 16	700152418P	133	1-B 18	700161571C	131	1-B 18	700708949	45	1-B 9
700149901P	121	1-B 17	700153955C	91	1-B 14	700161572C	133	1-B 18	700709106	157	1-B 20
700149907P	117	1-B 16	700153956C	35	1-B 8	700163621	93	1-B 14	700709106	175	1-B 22
700149907P	121	1-B 17	700153958C	35	1-B 8	700163621	95	1-B 14	700709175	161	1-B 21
700149910C	137	1-B 18	700154018	163	1-B 21	700700628	137	1-B 18	700709189	157	1-B 20
700149913C	131	1-B 18	700154018	165	1-B 21	700701035	159	1-B 20	700709189	175	1-B 22
700149913C	133	1-B 18	700154276B	83	1-B 13	700701624	143	1-B 19	700709232	161	1-B 21
700149913C	137	1-B 18	700154599C	131	1-B 18	700701624	147	1-B 19	700709233	161	1-B 21
700149913C	139	1-B 18	700154602C	133	1-B 18	700702916	127	1-B 17	700709704	87	1-B 13
700149917C	139	1-B 18	700154605C	111	1-B 16	700703267	115	1-B 16	700709708	87	1-B 13
700149929C	137	1-B 18	700154606C	111	1-B 16	700703830	159	1-B 20	700710188	159	1-B 20
700149929C	139	1-B 18	700154608P	111	1-B 16	700703922	33	1-B 8	700710811	143	1-B 19
700149931	137	1-B 18	700156111C	63	1-B 11	700703922	89	1-B 13	700710811	145	1-B 19
700149932	137	1-B 18	700156111C	65	1-B 11	700703922	91	1-B 14	700710811	147	1-B 19
700149934	131	1-B 18	700156111C	67	1-B 11	700703922	93	1-B 14	700710811	149	1-B 19
700149934	133	1-B 18	700156111C	69	1-B 11	700703922	95	1-B 14	700710982	111	1-B 16
700149934	137	1-B 18	700156515C	63	1-B 11	700703922	111	1-B 16	700710982	113	1-B 16
700149934	139	1-B 18	700156515C	65	1-B 11	700703922	113	1-B 16	700710982	157	1-B 20
700149935	83	1-B 13	700156515C	67	1-B 11	700703923	107	1-B 15	700710984	111	1-B 16
700149935	129	1-B 17	700156515C	69	1-B 11	700703923	109	1-B 15	700710984	113	1-B 16
700149935	135	1-B 18	700156546B	157	1-B 20	700704954	51	1-B 10	700710984	117	1-B 16
700149936C	129	1-B 17	700158542B	107	1-B 15	700704955	51	1-B 10	700710984	121	1-B 17
700149936C	135	1-B 18	700158542B	109	1-B 15	700705407	37	1-B 8	700711084	127	1-B 17
700149937C	135	1-B 18	700158544B	107	1-B 15	700705407	51	1-B 10	700711132	55	1-B 10
700149938P	139	1-B 18	700158544B	109	1-B 15	700705535	49	1-B 9	700711132	57	1-B 10
700149939P	129	1-B 17	700158623C	137	1-B 18	700706189	97	1-B 14	700711134	55	1-B 10
700149939P	135	1-B 18	700158625C	139	1-B 18	700706398	81	1-B 13	700711134	57	1-B 10
700149940C	129	1-B 17	700158628C	83	1-B 13	700706398	83	1-B 13	700711165	89	1-B 13

INDEX

Part No.	Page	Grid	Part No.	Page	Grid	Part No.	Page	Grid	Part No.	Page	Grid
700711165	91	1-B 14	700712408	175	1-B 22	700714122	23	1-B 7	700718588	87	1-B 13
700711165	93	1-B 14	700712409	71	1-B 12	700714122	31	1-B 8	700718599	161	1-B 21
700711165	95	1-B 14	700712409	73	1-B 12	700714123	15	1-B 6	700718607	161	1-B 21
700711183	143	1-B 19	700712409	175	1-B 22	700714123	23	1-B 7	700718612	87	1-B 13
700711183	145	1-B 19	700712410	59	1-B 10	700714123	31	1-B 8	700718617	161	1-B 21
700711183	147	1-B 19	700712412	59	1-B 10	700714138	153	1-B 20	700718618	87	1-B 13
700711183	149	1-B 19	700712412	175	1-B 22	700714138	155	1-B 20	700718620	161	1-B 21
700711262	111	1-B 16	700712415	59	1-B 10	700714310	71	1-B 12	700718621	161	1-B 21
700711262	113	1-B 16	700712415	61	1-B 11	700714310	73	1-B 12	700718683	87	1-B 13
700711557	33	1-B 8	700712415	175	1-B 22	700714310	175	1-B 22	700718800	61	1-B 11
700711557	37	1-B 8	700712417	59	1-B 10	700714361	153	1-B 20	700718801	71	1-B 12
700711557	111	1-B 16	700712417	61	1-B 11	700714361	155	1-B 20	700718801	73	1-B 12
700711557	113	1-B 16	700712417	175	1-B 22	700714362	153	1-B 20	700719226	33	1-B 8
700711557	157	1-B 20	700712418	59	1-B 10	700714362	155	1-B 20	700719226	43	1-B 9
700711831	125	1-B 17	700712418	61	1-B 11	700714715	17	1-B 6	700719402	33	1-B 8
700711832	125	1-B 17	700712418	175	1-B 22	700714715	19	1-B 6	700719402	45	1-B 9
700711843	43	1-B 9	700712420	59	1-B 10	700714715	21	1-B 7	700719429	167	1-B 21
700711843	45	1-B 9	700712420	61	1-B 11	700714715	175	1-B 22	700719597	59	1-B 10
700711843	49	1-B 9	700712420	175	1-B 22	700714841	11	1-B 6	700719597	61	1-B 11
700711843	53	1-B 10	700712421	59	1-B 10	700714841	13	1-B 6	700719597	71	1-B 12
700711843	77	1-B 12	700712421	61	1-B 11	700714841	17	1-B 6	700719598	59	1-B 10
700711843	175	1-B 22	700712467	87	1-B 13	700714841	29	1-B 7	700719598	61	1-B 11
700711857	75	1-B 12	700712677	39	1-B 8	700715254	159	1-B 20	700719598	73	1-B 12
700711858	75	1-B 12	700712677	41	1-B 9	700715575	75	1-B 12	700719689	33	1-B 8
700711876	55	1-B 10	700712881	37	1-B 8	700715575	173	1-B 22	700719689	175	1-B 22
700711877	75	1-B 12	700712886	11	1-B 6	700715575	175	1-B 22	700719869	85	1-B 13
700711877	171	1-B 22	700712886	13	1-B 6	700715576	75	1-B 12	700719869	87	1-B 13
700711877	173	1-B 22	700712886	17	1-B 6	700715576	173	1-B 22	700719870	87	1-B 13
700711877	175	1-B 22	700712888	75	1-B 12	700715576	175	1-B 22	700720588	93	1-B 14
700711918	89	1-B 13	700712889	75	1-B 12	700715721	37	1-B 8	700720588	95	1-B 14
700711918	91	1-B 14	700712969	59	1-B 10	700715721	49	1-B 9	700721264	63	1-B 11
700711918	99	1-B 14	700712969	175	1-B 22	700716119	153	1-B 20	700721264	65	1-B 11
700711918	101	1-B 15	700712970	59	1-B 10	700716119	155	1-B 20	700721264	67	1-B 11
700711918	175	1-B 22	700712970	175	1-B 22	700716432	159	1-B 20	700721264	69	1-B 11
700711964	75	1-B 12	700713252	153	1-B 20	700716839	85	1-B 13	700721264	77	1-B 12
700711964	171	1-B 22	700713252	155	1-B 20	700716946	39	1-B 8	700721265	37	1-B 8
700711964	173	1-B 22	700713426	125	1-B 17	700716946	41	1-B 9	700721265	53	1-B 10
700711964	175	1-B 22	700713427	125	1-B 17	700716946	59	1-B 10	700721267	37	1-B 8
700712189	125	1-B 17	700713437	37	1-B 8	700716946	61	1-B 11	700721267	175	1-B 22
700712200	15	1-B 6	700713437	47	1-B 9	700717402	155	1-B 20	700721268	37	1-B 8
700712200	23	1-B 7	700713464	55	1-B 10	700717403	155	1-B 20	700721269	37	1-B 8
700712200	31	1-B 8	700713464	59	1-B 10	700717404	155	1-B 20	700721326	93	1-B 14
700712360	15	1-B 6	700713466	73	1-B 12	700717697	57	1-B 10	700721327	93	1-B 14
700712360	23	1-B 7	700713467	71	1-B 12	700717698	33	1-B 8	700721327	95	1-B 14
700712360	31	1-B 8	700713471	71	1-B 12	700717698	35	1-B 8	700721327	103	1-B 15
700712361	15	1-B 6	700713471	73	1-B 12	700717700	67	1-B 11	700721327	105	1-B 15
700712361	23	1-B 7	700713471	175	1-B 22	700717700	69	1-B 11	700721328	93	1-B 14
700712362	15	1-B 6	700713472	45	1-B 9	700717701	55	1-B 10	700721328	95	1-B 14
700712362	23	1-B 7	700713472	47	1-B 9	700717701	57	1-B 10	700721328	103	1-B 15
700712362	31	1-B 8	700713521	89	1-B 13	700717706	17	1-B 6	700721328	105	1-B 15
700712375	71	1-B 12	700713521	91	1-B 14	700717706	23	1-B 7	700721328	175	1-B 22
700712375	73	1-B 12	700713521	95	1-B 14	700717784	93	1-B 14	700721421	141	1-B 19
700712375	175	1-B 22	700713522	153	1-B 20	700717784	95	1-B 14	700721538	143	1-B 19
700712378	15	1-B 6	700713522	155	1-B 20	700718305	45	1-B 9	700721538	147	1-B 19
700712378	23	1-B 7	700713526	159	1-B 20	700718336	15	1-B 6	700721539	81	1-B 13
700712383	31	1-B 8	700713536	15	1-B 6	700718336	23	1-B 7	700721564	159	1-B 20
700712388	15	1-B 6	700713536	23	1-B 7	700718337	15	1-B 6	700721565	159	1-B 20
700712388	23	1-B 7	700713539	15	1-B 6	700718337	23	1-B 7	700721604	77	1-B 12
700712393	59	1-B 10	700713539	23	1-B 7	700718339	15	1-B 6	700721606	77	1-B 12
700712393	61	1-B 11	700713539	31	1-B 8	700718339	23	1-B 7	700721607	53	1-B 10
700712393	175	1-B 22	700713541	23	1-B 7	700718339	31	1-B 8	700721835	39	1-B 8
700712394	59	1-B 10	700713543	23	1-B 7	700718345	61	1-B 11	700721835	41	1-B 9
700712394	61	1-B 11	700713546	23	1-B 7	700718347	61	1-B 11	700722409	169	1-B 21
700712394	175	1-B 22	700713547	15	1-B 6	700718348	61	1-B 11	700722693	13	1-B 6
700712395	59	1-B 10	700713547	23	1-B 7	700718349	61	1-B 11	700722693	21	1-B 7
700712395	61	1-B 11	700713551	153	1-B 20	700718350	71	1-B 12	700722693	31	1-B 8
700712396	59	1-B 10	700713551	155	1-B 20	700718350	73	1-B 12	700722760	131	1-B 18
700712396	61	1-B 11	700713983	75	1-B 12	700718352	71	1-B 12	700722760	133	1-B 18
700712397	59	1-B 10	700713983	171	1-B 22	700718355	73	1-B 12	700722760	137	1-B 18
700712399	59	1-B 10	700713984	75	1-B 12	700718356	61	1-B 11	700722760	139	1-B 18
700712401	59	1-B 10	700713984	171	1-B 22	700718360	61	1-B 11	700722848	31	1-B 8
700712401	61	1-B 11	700714032	11	1-B 6	700718362	61	1-B 11	700722851	151	1-B 20
700712401	175	1-B 22	700714032	13	1-B 6	700718363	61	1-B 11	700722852	151	1-B 20
700712408	71	1-B 12	700714032	17	1-B 6	700718530	87	1-B 13	700722853	151	1-B 20
700712408	73	1-B 12	700714122	15	1-B 6	700718579	161	1-B 21	700722854	151	1-B 20

DKHB ROTARY HEADER

7
INDEX

Part No.	Page	Grid	Part No.	Page	Grid	Part No.	Page	Grid	Part No.	Page	Grid
700722855	151	1-B 20	704254	157	1-B 20	709232220	111	1-B 16	7700016	93	1-B 14
700722858	151	1-B 20	7044951	39	1-B 8	709232240	33	1-B 8	7700016	95	1-B 14
700722859	151	1-B 20	7044951	41	1-B 9	70923502	157	1-B 20	7700578	67	1-B 11
700722860	151	1-B 20	704551	159	1-B 20	70923737	41	1-B 9	7700578	69	1-B 11
700722865	151	1-B 20	704858	141	1-B 19	70924136	89	1-B 13	7701659	33	1-B 8
700722866	151	1-B 20	705004	137	1-B 18	70924290	143	1-B 19	7701659	37	1-B 8
700723121	15	1-B 6	705541	11	1-B 6	70924741	107	1-B 15	7703275	15	1-B 6
700723123	15	1-B 6	705541	13	1-B 6	70925246	83	1-B 13	7703275	23	1-B 7
700723123	23	1-B 7	705541	17	1-B 6	70925442	159	1-B 20	7703275	31	1-B 8
700723123	31	1-B 8	705541	19	1-B 6	70925617	81	1-B 13	77057	93	1-B 14
700723231	153	1-B 20	705541	21	1-B 7	70925731	77	1-B 12	77057	95	1-B 14
700723797	31	1-B 8	705541	29	1-B 7	70925864	11	1-B 6	77057	97	1-B 14
700723798	31	1-B 8	705541	33	1-B 8	70926164	37	1-B 8	7720048	93	1-B 14
700723799	31	1-B 8	705541	35	1-B 8	70927158	25	1-B 7	7720048	95	1-B 14
700725052	145	1-B 19	705541	37	1-B 8	70927493	35	1-B 8	773051	67	1-B 11
700725052	149	1-B 19	705541	63	1-B 11	70927522	63	1-B 11	773051	69	1-B 11
700725053	143	1-B 19	705541	65	1-B 11	70928654	159	1-B 20	7751605	29	1-B 7
700725053	147	1-B 19	705541	67	1-B 11	70929160	81	1-B 13	7751605	175	1-B 22
700725073	143	1-B 19	705541	69	1-B 11	70929237	33	1-B 8	776674	137	1-B 18
700725073	145	1-B 19	705541	81	1-B 13	70931209	83	1-B 13	776674	139	1-B 18
700725073	147	1-B 19	705541	89	1-B 13	70931277	81	1-B 13	776682	137	1-B 18
700725073	149	1-B 19	705541	91	1-B 14	70931333	63	1-B 11	776682	139	1-B 18
700725088	143	1-B 19	705541	93	1-B 14	70931645	169	1-B 21	776682	175	1-B 22
700725088	145	1-B 19	705541	95	1-B 14	70931814	113	1-B 16	7770076	111	1-B 16
700725088	147	1-B 19	705541	99	1-B 14	70932665	37	1-B 8	7770282	125	1-B 17
700725088	149	1-B 19	705541	101	1-B 15	70932863	107	1-B 15	7774458	37	1-B 8
700725088	151	1-B 20	705541	103	1-B 15	70937133	143	1-B 19	7774664	55	1-B 10
700725120	23	1-B 7	705541	105	1-B 15	710673	35	1-B 8	7774664	57	1-B 10
700725759	75	1-B 12	705541	143	1-B 19	710673	175	1-B 22	7774664	61	1-B 11
700725968	165	1-B 21	705541	145	1-B 19	710871	29	1-B 7	7827413	81	1-B 13
700726011	35	1-B 8	705541	147	1-B 19	710871	39	1-B 8	7827413	83	1-B 13
700726011	175	1-B 22	705541	149	1-B 19	710871	41	1-B 9	7883267	83	1-B 13
700726065	83	1-B 13	705541	157	1-B 20	710871	175	1-B 22	7883267	131	1-B 18
700726068	163	1-B 21	70590610	39	1-B 8	71122510	89	1-B 13	7883267	133	1-B 18
700726192	97	1-B 14	70590610	41	1-B 9	71122510	91	1-B 14	7883267	137	1-B 18
700726228	59	1-B 10	707265	141	1-B 19	71122510	99	1-B 14	7883267	139	1-B 18
700726228	61	1-B 11	70905126	33	1-B 8	71122510	101	1-B 15	7883317	137	1-B 18
700726228	175	1-B 22	70912262	33	1-B 8	71122510	175	1-B 22	7883317	139	1-B 18
700726375	11	1-B 6	70913160	99	1-B 14	71193862	83	1-B 13	7883325	63	1-B 11
700726375	13	1-B 6	70914465	29	1-B 7	71309128	89	1-B 13	7883325	65	1-B 11
700726375	15	1-B 6	70914687	43	1-B 9	71309128	91	1-B 14	7883325	67	1-B 11
700726409	15	1-B 6	70915275	47	1-B 9	71309128	93	1-B 14	7883325	69	1-B 11
700726410	15	1-B 6	70916622	131	1-B 18	71309128	95	1-B 14	7883325	81	1-B 13
700726411	15	1-B 6	70916950	35	1-B 8	71309128	175	1-B 22	7883325	83	1-B 13
700726517	43	1-B 9	70917467	33	1-B 8	71355384	151	1-B 20	7883325	89	1-B 13
700726522	83	1-B 13	70918430	127	1-B 17	71355386	151	1-B 20	7883325	91	1-B 14
704031	33	1-B 8	70918451	159	1-B 20	71390809	87	1-B 13	7883325	93	1-B 14
704031	35	1-B 8	70919313	137	1-B 18	713958	95	1-B 14	7883325	111	1-B 16
704031	37	1-B 8	70920272	37	1-B 8	713958	103	1-B 15	7883325	113	1-B 16
704031	89	1-B 13	70920655	29	1-B 7	713958	105	1-B 15	7883325	115	1-B 16
704031	91	1-B 14	70920676	33	1-B 8	713958	175	1-B 22	7883325	117	1-B 16
704031	93	1-B 14	70921024	89	1-B 13	71399368	85	1-B 13	7883325	119	1-B 16
704031	95	1-B 14	70921049	97	1-B 14	71399368	87	1-B 13	7883325	121	1-B 17
704031	97	1-B 14	70921176	11	1-B 6	71399371	87	1-B 13	7883325	123	1-B 17
704031	99	1-B 14	70921205	143	1-B 19	720870	93	1-B 14	7883325	125	1-B 17
704031	101	1-B 15	70921206	143	1-B 19	720870	95	1-B 14	7883325	129	1-B 17
704031	103	1-B 15	70921221	89	1-B 13	721258	115	1-B 16	7883325	131	1-B 18
704031	105	1-B 15	70921326	145	1-B 19	72514685	87	1-B 13	7883325	133	1-B 18
704031	157	1-B 20	70921327	143	1-B 19	740167	35	1-B 8	7883325	135	1-B 18
704247	39	1-B 8	70921333	97	1-B 14	740167	175	1-B 22	7883325	137	1-B 18
704247	41	1-B 9	70921349	39	1-B 8	740217	37	1-B 8	7883325	139	1-B 18
704247	115	1-B 16	70921573	39	1-B 8	740803	97	1-B 14	7883325	159	1-B 20
704247	117	1-B 16	70921965	125	1-B 17	755785	83	1-B 13	7883325	163	1-B 21
704247	119	1-B 16	70921978	137	1-B 18	757427	77	1-B 12	7883325	165	1-B 21
704247	121	1-B 17	70922507	41	1-B 9	757716	43	1-B 9	7883333	93	1-B 14
704247	123	1-B 17	70922605	57	1-B 10	757716	45	1-B 9	7883333	95	1-B 14
704247	125	1-B 17	70922645	117	1-B 16	757716	49	1-B 9	7883333	129	1-B 17
704247	127	1-B 17	70922784	55	1-B 10	757716	51	1-B 10	7883333	131	1-B 18
704247	131	1-B 18	70922786	35	1-B 8	757716	53	1-B 10	7883333	133	1-B 18
704247	133	1-B 18	70922869	127	1-B 17	763177	141	1-B 19	7883333	135	1-B 18
704247	137	1-B 18	70923061	141	1-B 19	763177	157	1-B 20	7883333	137	1-B 18
704247	139	1-B 18	70923114	13	1-B 6	768036	111	1-B 16	7883333	139	1-B 18
704254	37	1-B 8	70923174	143	1-B 19	768036	113	1-B 16	7883333	163	1-B 21
704254	117	1-B 16	70923191	169	1-B 21	7700016	89	1-B 13	7883333	165	1-B 21
704254	121	1-B 17	70923219	33	1-B 8	7700016	91	1-B 14	7883366	39	1-B 8

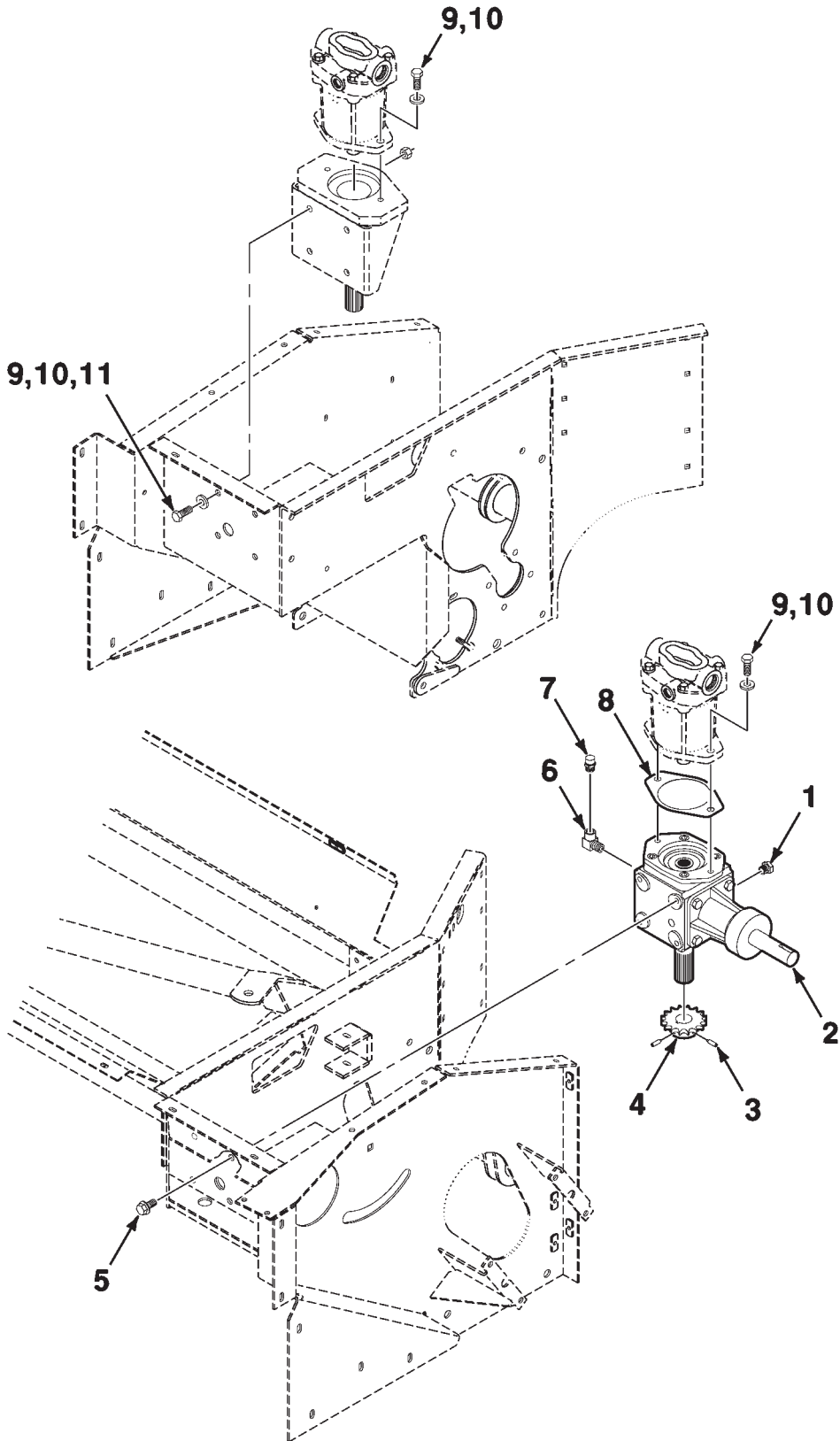
DKHB ROTARY HEADER

9
INDEX

Part No.	Page	Grid	Part No.	Page	Grid	Part No.	Page	Grid	Part No.	Page	Grid
----------	------	------	----------	------	------	----------	------	------	----------	------	------

DKHB ROTARY HEADER
DRIVES

HEADER DRIVE (12 FOOT)
(S.N. HM05101 THRU HP05100)



**DKHB ROTARY HEADER
DRIVES**

11

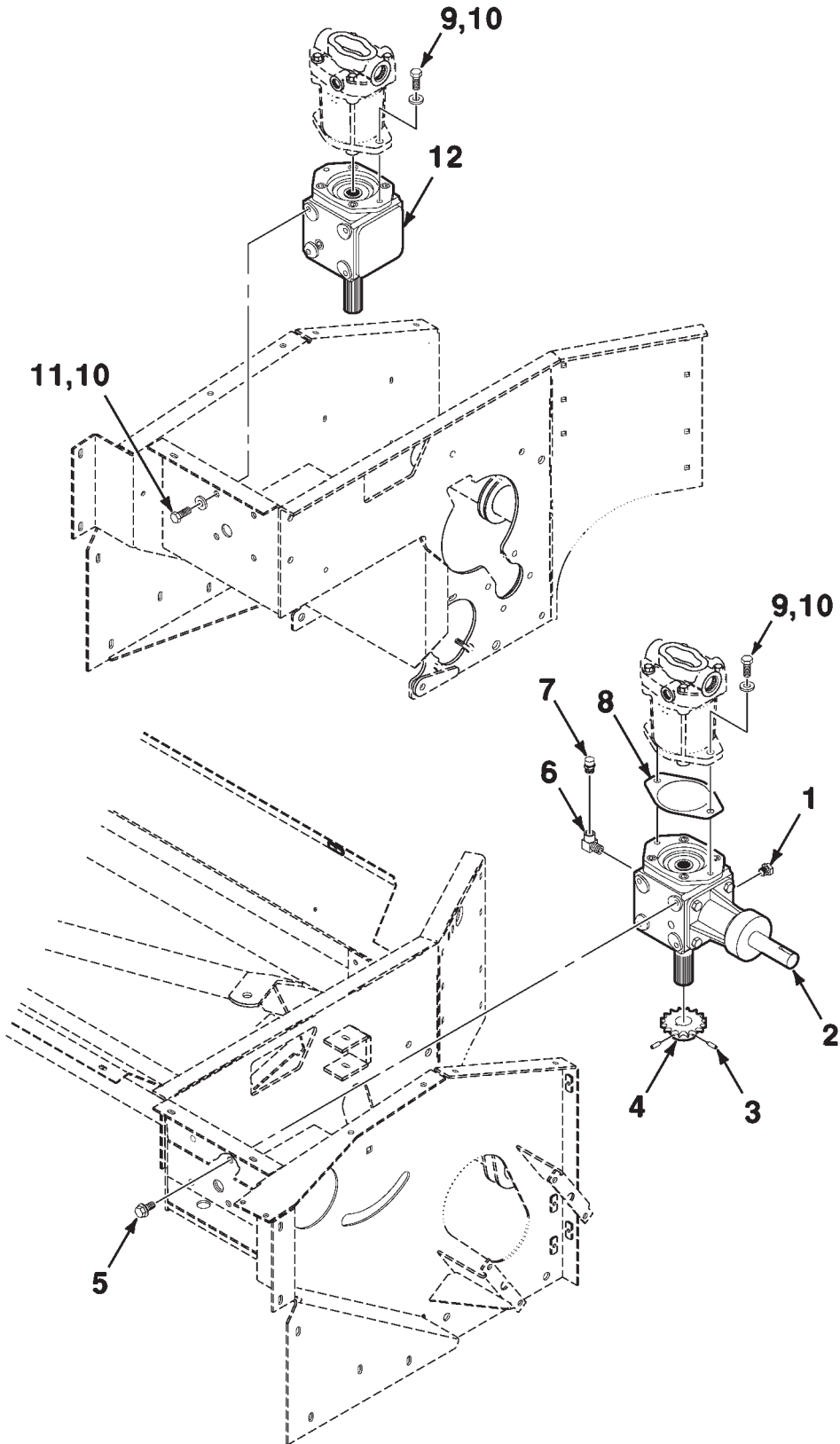
**HEADER DRIVE (12 FOOT)
(S.N. HM05101 THRU HP05100)**

ITEM	NUMBER	QTY	DESCRIPTION
1	700714032	1	GAUGE-VIEW
2	700726375	1	GEARBOX ASSEMBLY
3	Y708230	2	5/16 X 3/4 SETSCREW-SOCKET NON PLATED
4	851725	1	SPROCKET
5	7883424	4	1/2-13 X 1 SCREW-FLANGE GR8
6	70925864	1	ELBOW
7	700712886	1	BREATHER
8	700714841	1	GASKET
9	70921176	8	1/2-13 X 1-1/4 CAPSCREW
10	705541	8	1/2 HARDENED PLAIN WASHER
11	Y704742	4	1/2-13 NUT-LOCK, FLANGE GR/G

700161085-4

DKHB ROTARY HEADER
DRIVES

HEADER DRIVE (12 FOOT)
(S.N. HP05101 AND LATER)



**DKHB ROTARY HEADER
DRIVES**

13

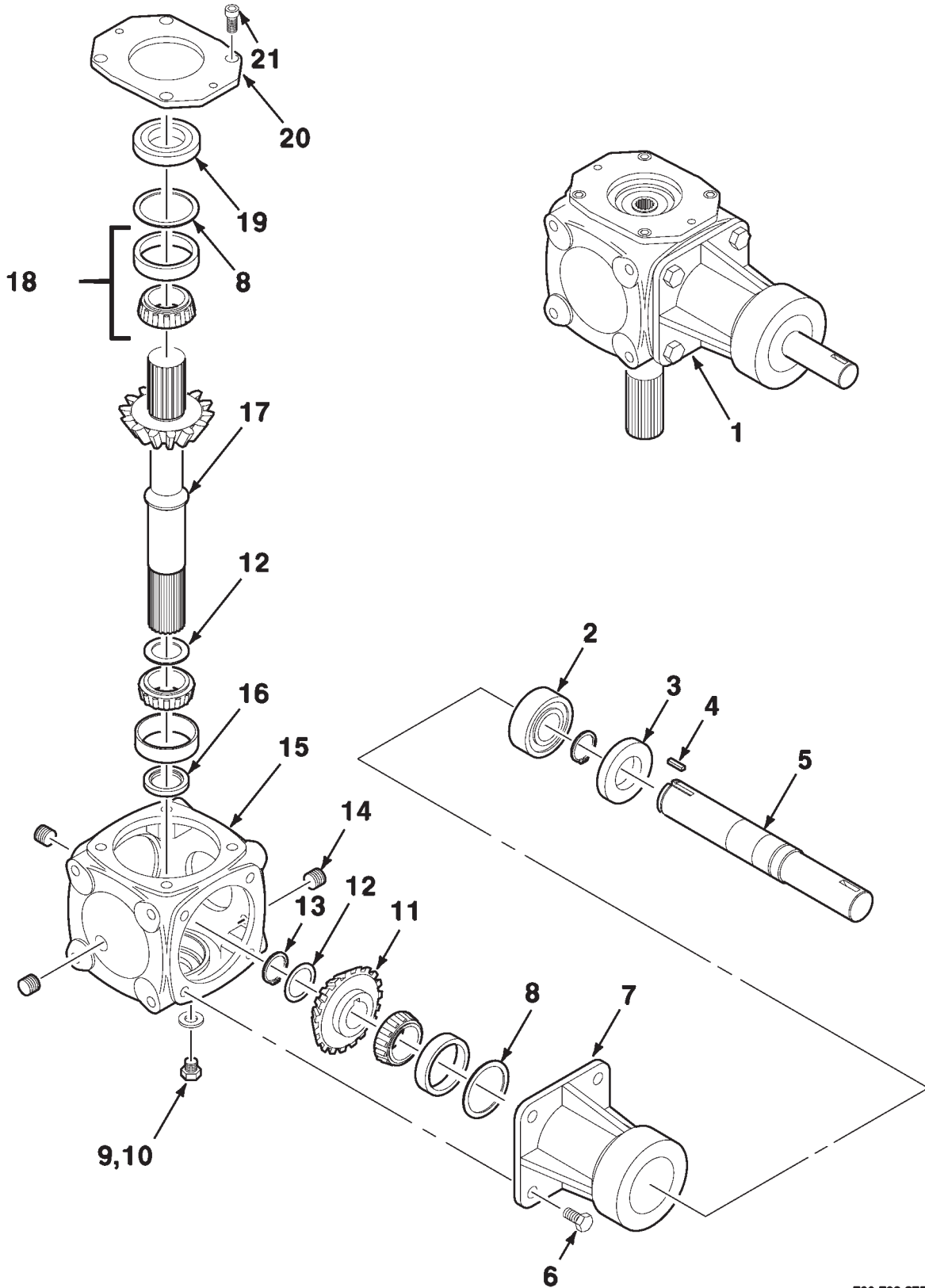
**HEADER DRIVE (12 FOOT)
(S.N. HP05101 AND LATER)**

ITEM	NUMBER	QTY	DESCRIPTION
1	700714032	1	GAUGE-VIEW
2	700726375	1	GEARBOX ASSEMBLY
3	Y708230	2	5/16 X 3/4 SETSCREW-SOCKET NON PLATED
4	851725	1	SPROCKET
5	7883424	4	1/2-13 X 1 SCREW-FLANGE GR8
6	70925864	1	ELBOW
7	700712886	1	BREATHER
8	700714841	1	GASKET
9	70921176	4	1/2-13 X 1-1/4 CAPSCREW
10	705541	8	1/2 HARDENED PLAIN WASHER
11	70923114	4	CAPSCREW, 1/2-13 X 1
12	700722693	1	HOUSING ASSEMBLY

700161085-5

DKHB ROTARY HEADER
DRIVES

GEARBOX ASSEMBLY (12 FOOT)
(700726375 GEARBOX ASSEMBLY)



**DKHB ROTARY HEADER
DRIVES**

15

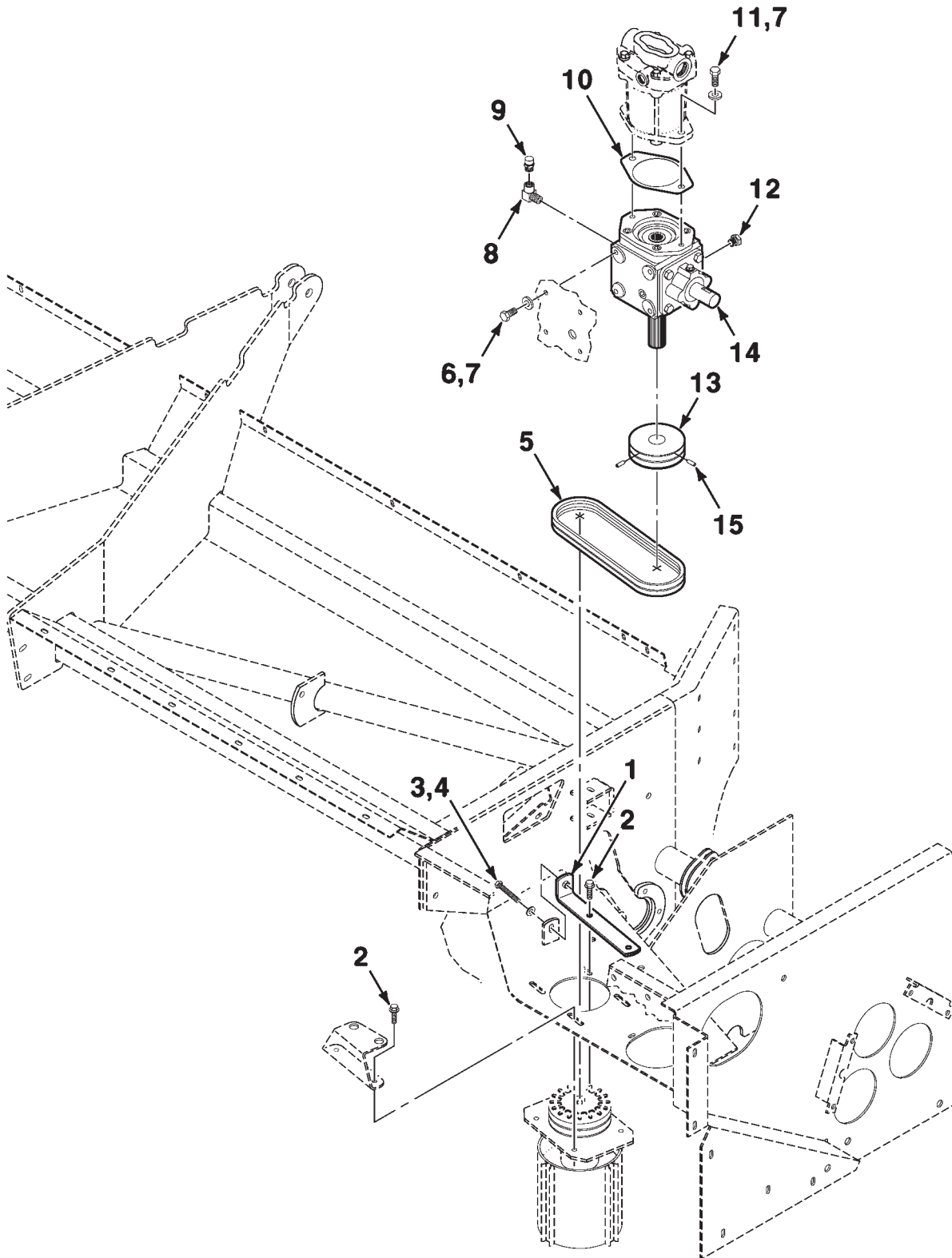
**GEARBOX ASSEMBLY (12 FOOT)
(700726375 GEARBOX ASSEMBLY)**

ITEM	NUMBER	QTY	DESCRIPTION
1	700726375	1	GEARBOX ASSEMBLY
2	700726410	1	BEARING-CYLINDRICAL
3	700723121	1	SEAL-OIL
4	700713547	1	10 X 8 X 25 KEY-PARALLEL
5	700726411	1	SHAFT
6	7703275	4	M12 X 25 BOLT, CLASS 8.8
7	700726409	1	EXTENSION
8	700712378	2	SHIM PACK 71.7 mm
9	700714123	1	M8 X 10 BOLT, CLASS 8.8
10	700714122	1	M8 COPPER WASHER
11	700713536	1	GEAR Z19 M5
12	700712360	2	SHIM PACK 48.0 mm
13	700712388	1	SNAP RING
14	700712200	3	PLUG
15	700713539	1	CASING
16	700723123	1	SEAL-OIL
17	700718337	1	SHAFT-PINION
18	700712361	3	BEARING ASSEMBLY-TAPERED
19	700712362	1	SEAL-OIL
20	700718339	1	FLANGE
21	700718336	4	M12 X 30 BOLT

700726375-0

DKHB ROTARY HEADER
DRIVES

HEADER DRIVE-LEFT (15 FOOT)



**DKHB ROTARY HEADER
DRIVES**

17

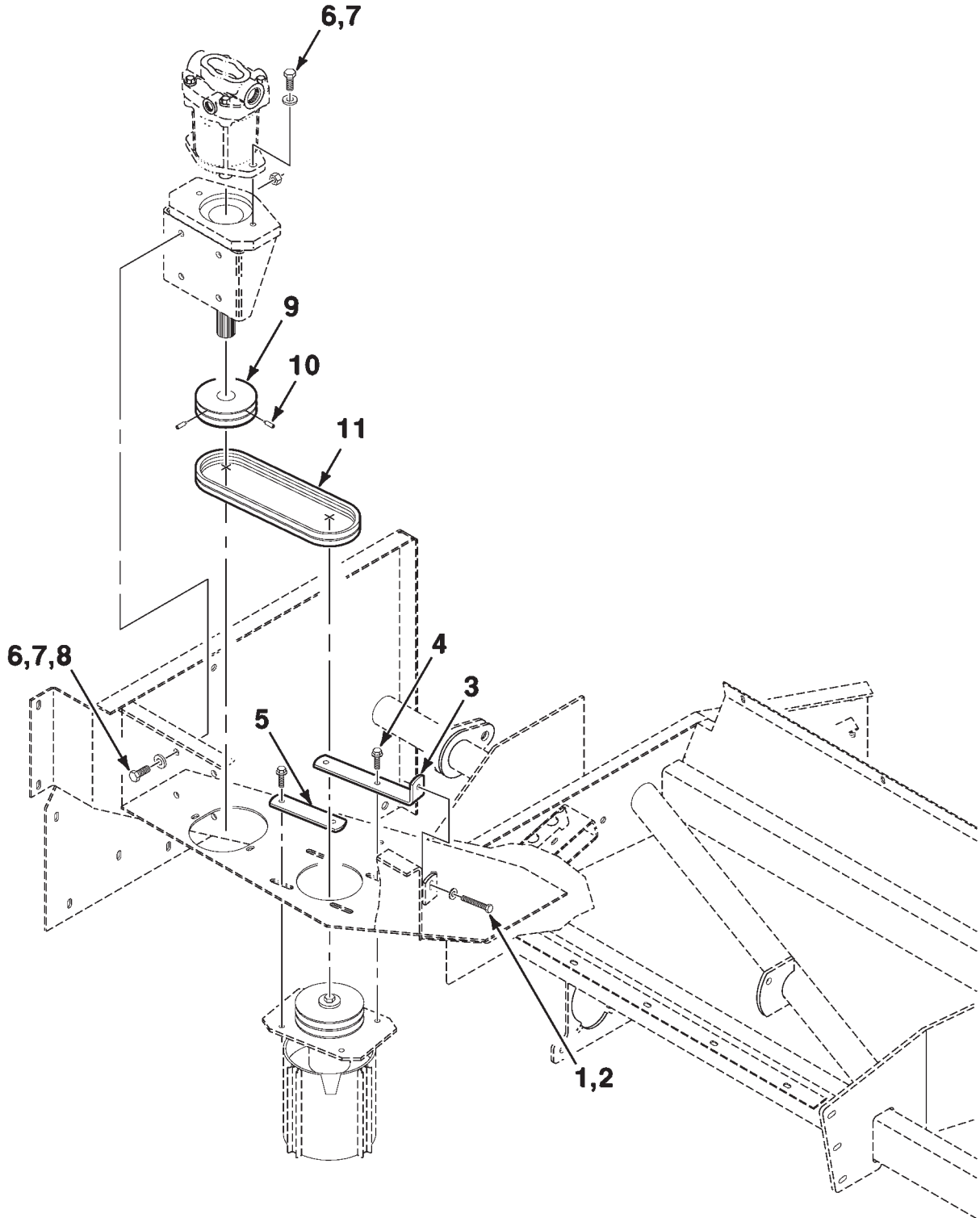
HEADER DRIVE-LEFT (15 FOOT)

ITEM	NUMBER	QTY	DESCRIPTION
1	700149881P	1	ANGLE-ASSEMBLY
2	7883408	4	3/8-16 X 1-1/4 SCREW-FLANGE GR8
3	873141	1	3/8-16 X 2-1/2 CAPSCREW-FULL THREAD
4	Y705533	1	3/8 HARDENED PLAIN WASHER
5	700714715	1	V-BELT (Matched Set of Two)
6	70923114	4	1/2-13 X 1 CAPSCREW
7	705541	6	1/2 HARDENED PLAIN WASHER
8	70925864	1	ELBOW 90
9	700712886	1	BREATHER
10	700714841	1	GASKET
11	70921176	2	1/2-13 X 1-1/4 CAPSCREW
12	700714032	1	GAUGE-VIEW
13	700130652C	1	SHEAVE
14	700717706	1	GEARBOX ASSEMBLY
15	Y708230	2	5/16 X 3/4 SETSCREW-SOCKET NON PLATED

700158616-1

DKHB ROTARY HEADER
DRIVES

HEADER DRIVE-RIGHT (15 FOOT)
(S.N. HM05101 THRU HP05100)



**DKHB ROTARY HEADER
DRIVES**

19

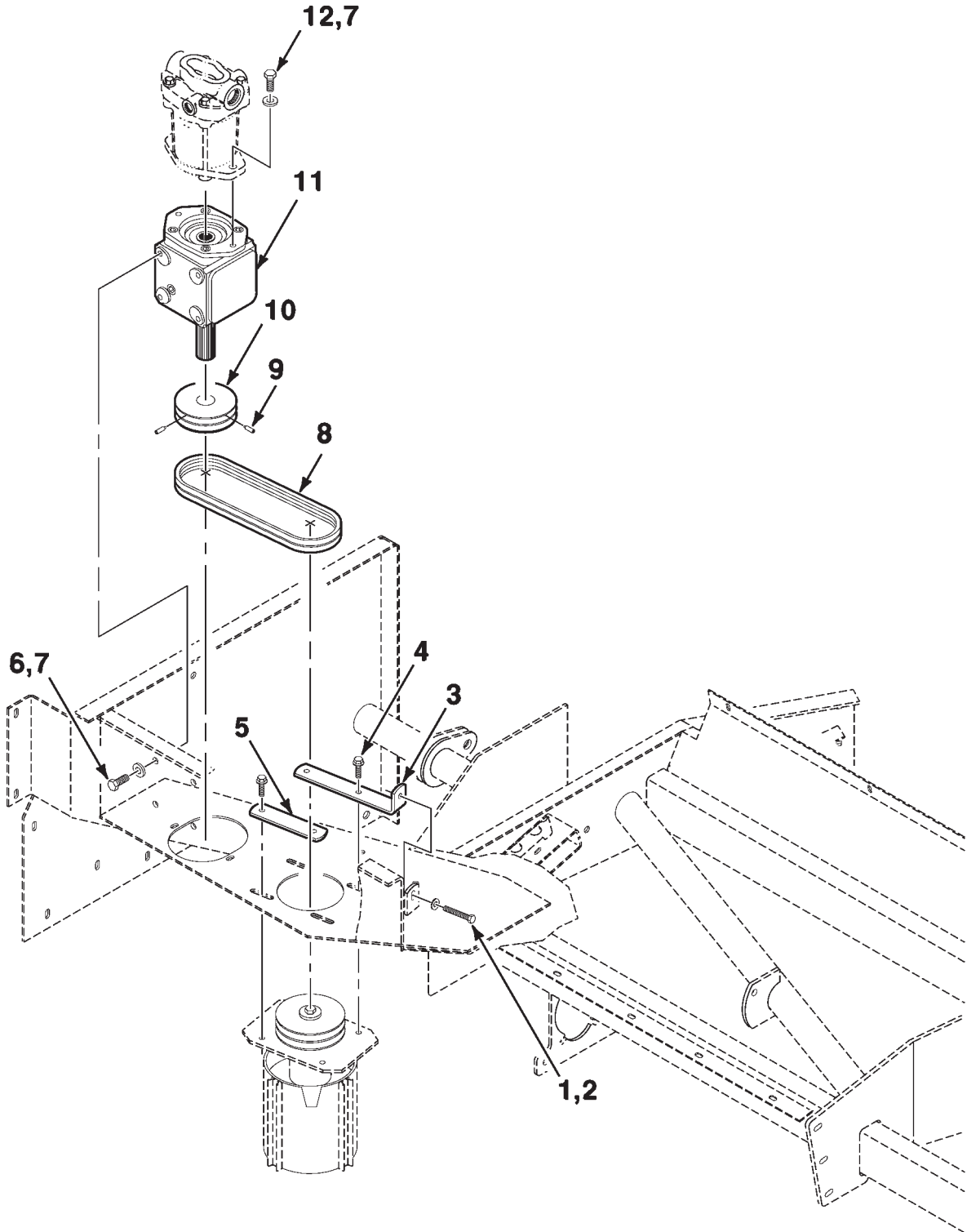
**HEADER DRIVE-RIGHT (15 FOOT)
(S.N. HM05101 THRU HP05100)**

ITEM	NUMBER	QTY	DESCRIPTION
1	873141	1	3/8-16 X 2-1/2 CAPSCREW-FULL THREAD
2	Y705533	1	3/8 HARDENED PLAIN WASHER
3	700149881P	1	ANGLE-ASSEMBLY
4	7883408	4	3/8-16 X 1-1/4 SCREW-FLANGE GR8
5	700149982P	1	STRAP
6	70921176	6	1/2-13 X 1-1/4 CAPSCREW
7	705541	6	1/2 HARDENED PLAIN WASHER
8	Y704742	4	1/2-13 NUT-LOCK, FLANGE GR/G
9	700130652C	1	SHEAVE
10	Y708230	2	5/16 X 3/4 SETSCREW-SOCKET NON PLATED
11	700714715	1	V-BELT (Matched Set of Two)

700158616-2

DKHB ROTARY HEADER
DRIVES

HEADER DRIVE-RIGHT (15 FOOT)
(S.N. HP05101 AND LATER)



**DKHB ROTARY HEADER
DRIVES**

21

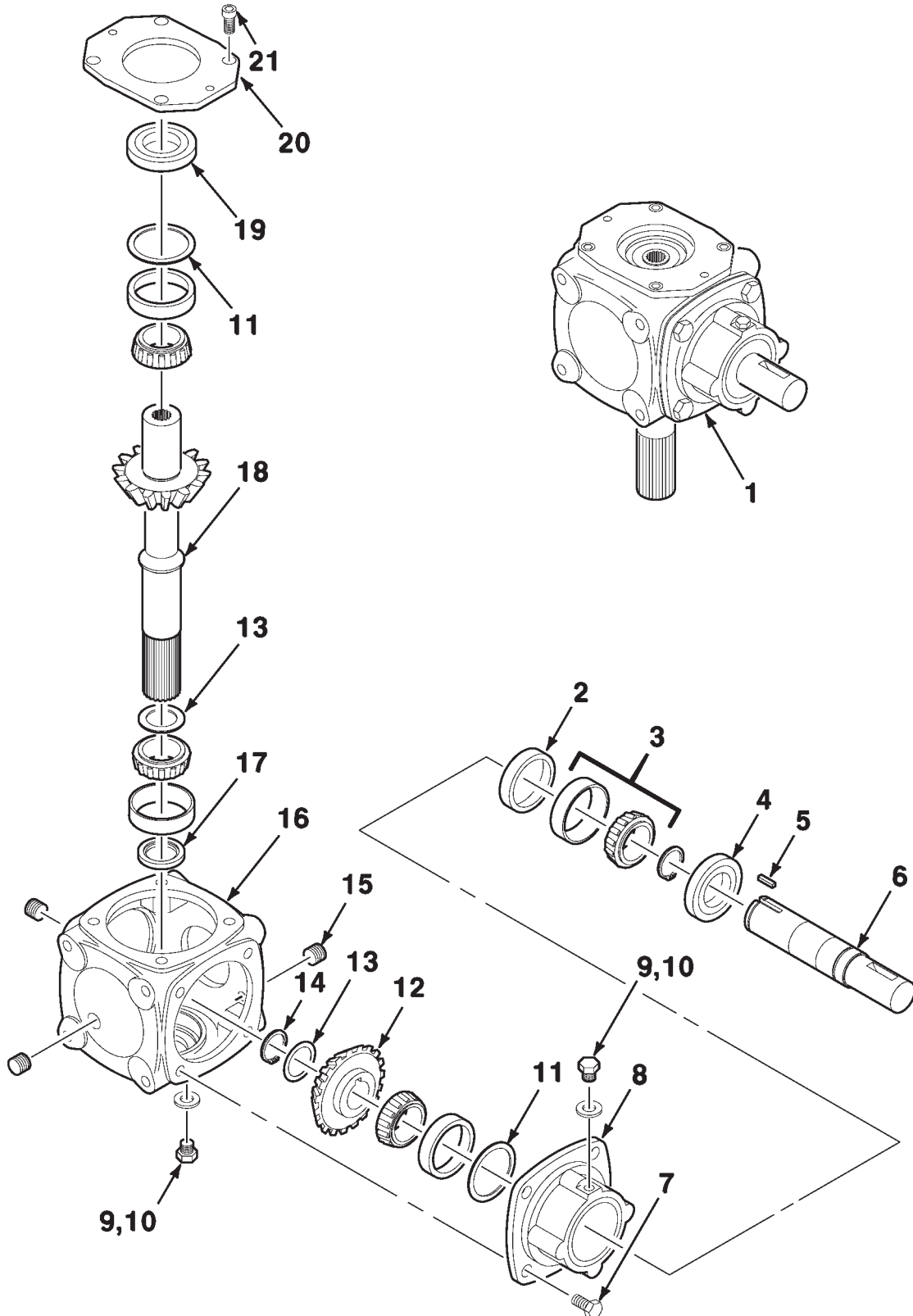
**HEADER DRIVE-RIGHT (15 FOOT)
(S.N. HP05101 AND LATER)**

ITEM	NUMBER	QTY	DESCRIPTION
1	873141	1	3/8-16 X 2-1/2 CAPSCREW-FULL THREAD
2	Y705533	1	3/8 HARDENED PLAIN WASHER
3	700149881P	1	ANGLE-ASSEMBLY
4	7883408	4	3/8-16 X 1-1/4 SCREW-FLANGE GR8
5	700149982P	1	STRAP
6	70923114	4	CAPSCREW, 1/2-13 X 1
7	705541	6	1/2 HARDENED PLAIN WASHER
8	700714715	1	V-BELT (Matched Set of Two)
9	Y708230	2	5/16 X 3/4 SETSCREW-SOCKET NON PLATED
10	700130652C	1	SHEAVE
11	700722693	1	HOUSING ASSEMBLY
12	70921176	2	1/2-13 X 1-1/4 CAPSCREW

700158616-5

DKHB ROTARY HEADER
DRIVES

GEARBOX ASSEMBLY (15 FOOT)
(700717706 GEARBOX ASSEMBLY)



**DKHB ROTARY HEADER
DRIVES**

23

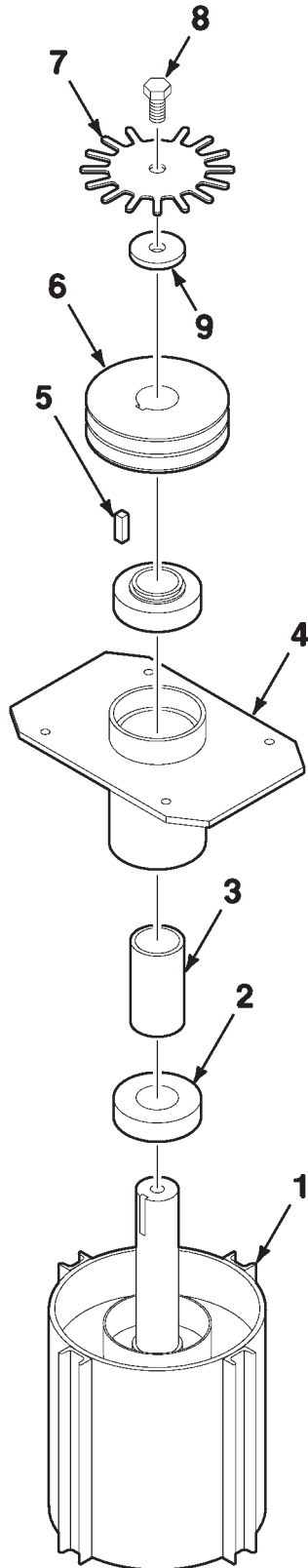
**GEARBOX ASSEMBLY (15 FOOT)
(700717706 GEARBOX ASSEMBLY)**

ITEM	NUMBER	QTY	DESCRIPTION
1	700717706	1	GEARBOX ASSEMBLY
2	700713541	1	SPACER
3	700712361	4	BEARING ASSEMBLY-TAPERED
4	700725120	1	SEAL-OIL
5	700713547	1	10 X 8 X 25 KEY-PARALLEL
6	700713546	1	SHAFT
7	7703275	4	M12 X 25 BOLT, CLASS 8.8
8	700713543	1	EXTENSION
9	700714123	2	M8 X 10 BOLT, CLASS 8.8
10	700714122	2	M8 COPPER WASHER
11	700712378	2	SHIM PACK 71.7 mm
12	700713536	1	GEAR Z19 M5
13	700712360	2	SHIM PACK 48.0 mm
14	700712388	1	SNAP RING
15	700712200	3	PLUG
16	700713539	1	CASING
17	700723123	1	SEAL-OIL
18	700718337	1	SHAFT-PINION
19	700712362	1	SEAL-OIL
20	700718339	1	FLANGE
21	700718336	4	M12 X 30 BOLT

700717706-0

DKHB ROTARY HEADER
DRIVES

HEADER DRIVE CAGE ASM-LEFT (15 FOOT)



DKHB ROTARY HEADER
DRIVES

25

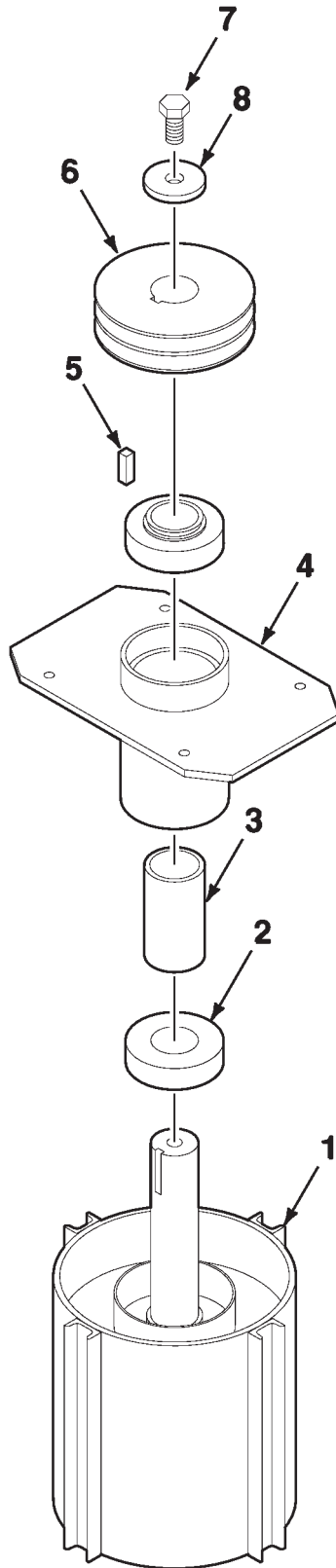
HEADER DRIVE CAGE ASM-LEFT (15 FOOT)

ITEM	NUMBER	QTY	DESCRIPTION
1	700160910P	1	CAGE WA
2	8050080	2	BEARING-CYLINDRICAL
3	700160909C	1	TUBE-SPACER
4	700160907C	1	SUPPORT WA
5	Y761239	1	5/16 X 15/16 KEY
6	700149890C	1	SHEAVE
7	700158630C	1	DISC-SENSOR
8	70927158	1	1/2-20 X 1 CAPSCREW
9	282269C	1	WASHER

700158629-0

DKHB ROTARY HEADER
DRIVES

HEADER DRIVE CAGE ASM-RIGHT (15 FOOT)



DKHB ROTARY HEADER
DRIVES

27

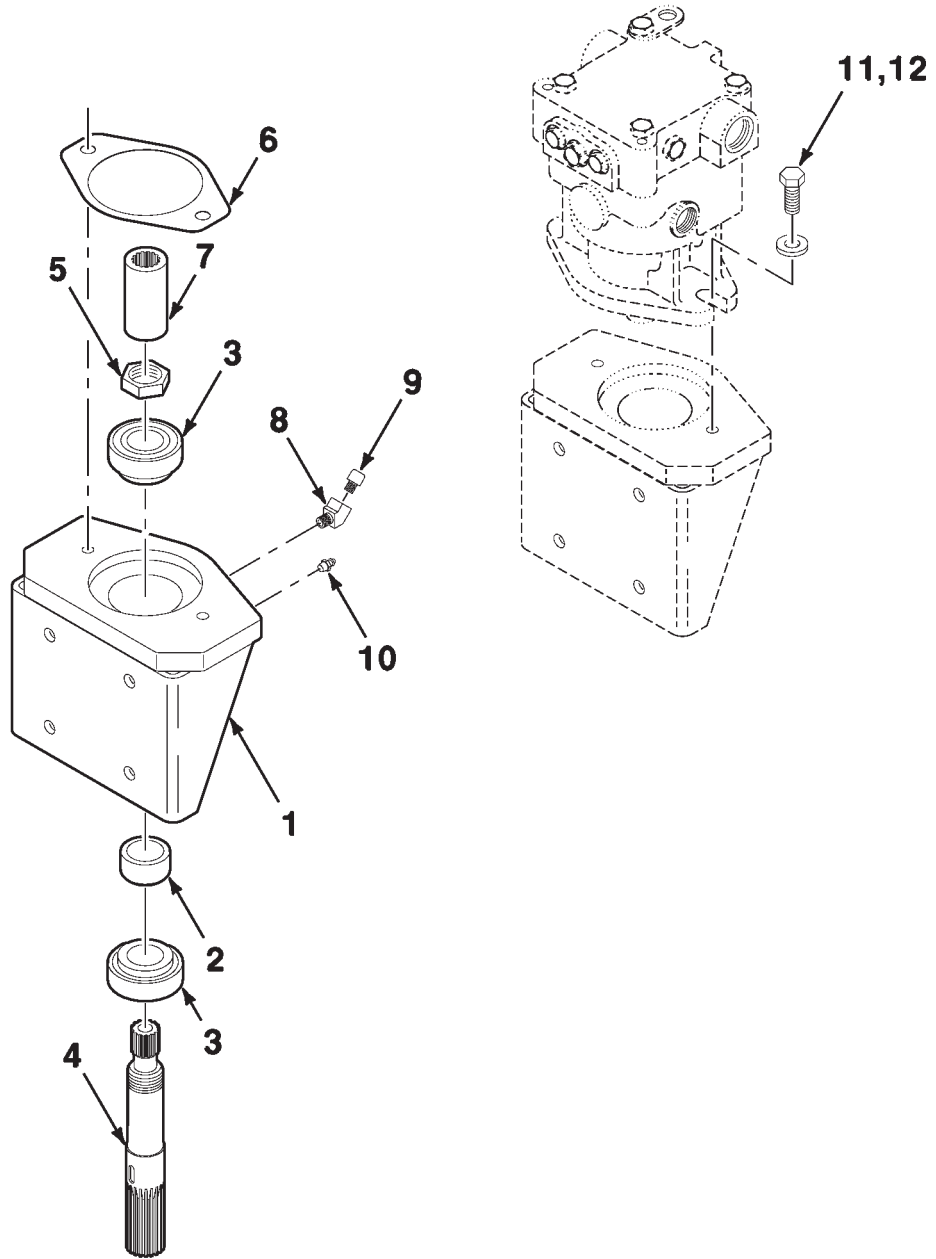
HEADER DRIVE CAGE ASM-RIGHT (15 FOOT)

ITEM	NUMBER	QTY	DESCRIPTION
1	700160910P	1	CAGE WA
2	8050080	2	BEARING-CYLINDRICAL
3	700160909C	1	TUBE-SPACER
4	700160907C	1	SUPPORT WA
5	Y761239	1	5/16 X 15/16 KEY
6	700149890C	1	SHEAVE
7	70927158	1	1/2-20 X 1 CAPSCREW
8	282269C	1	WASHER

700158777-0

DKHB ROTARY HEADER
DRIVES

HOUSING ASSEMBLY
(S.N. HM05101 THRU HP05100)



**DKHB ROTARY HEADER
DRIVES**

29

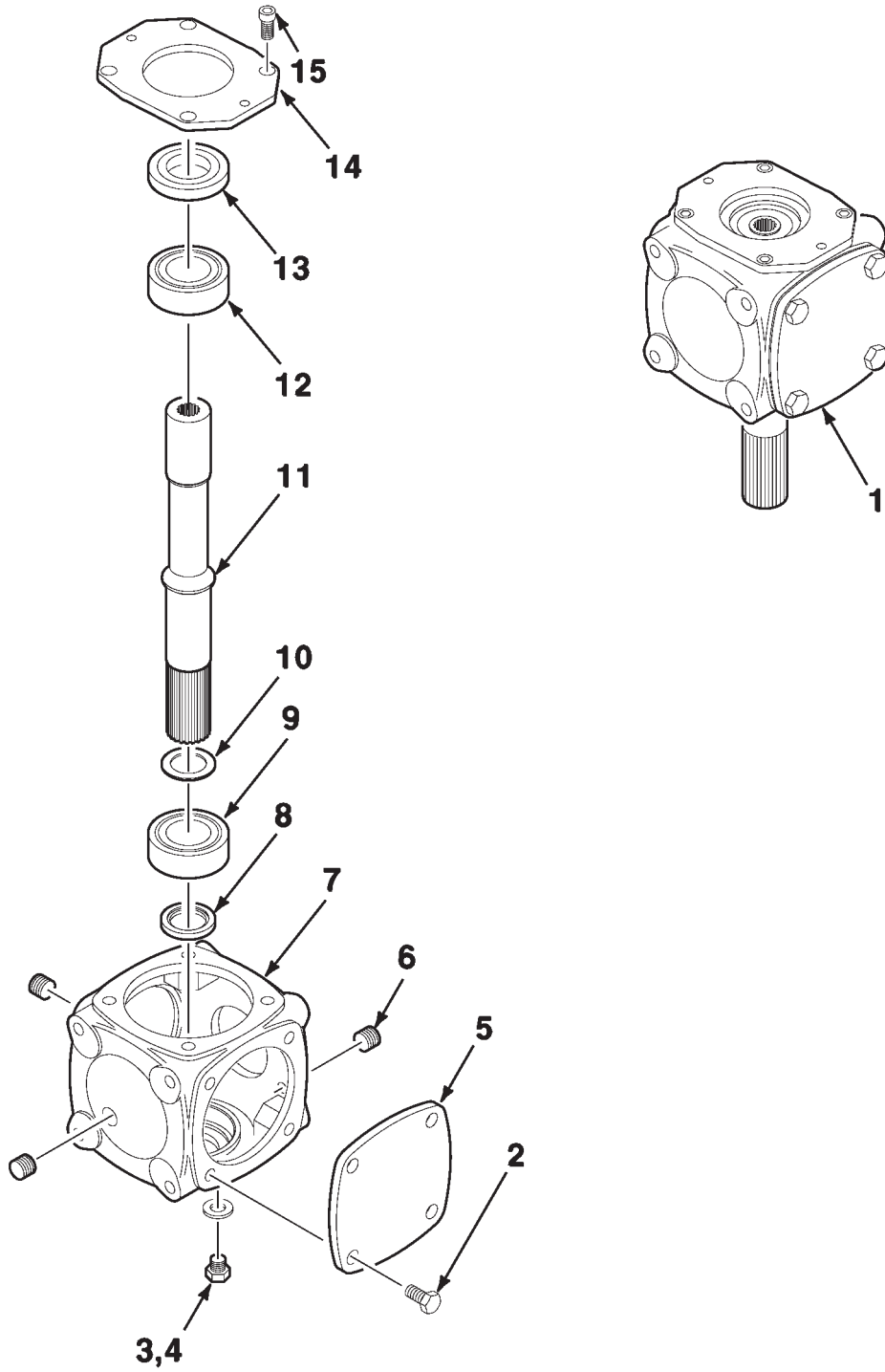
**HOUSING ASSEMBLY
(S.N. HM05101 THRU HP05100)**

ITEM	NUMBER	QTY	DESCRIPTION
1	700149870C	1	HOUSING WA
2	700149878	1	SPACER
3	710871	2	BEARING-CYLINDRICAL
4	700149876	1	SHAFT-DISC DRIVE
5	700149877	1	NUT-SPECIAL
6	700714841	1	GASKET
7	700149879	1	COUPLER
8	70920655	1	1/8-27 X 45 Degree FITTING
9	7751605	1	VENT-BREATHER
10	70914465	1	1/8-27 ZERK
11	70921176	2	1/2-13 X 1-1/4 CAPSCREW
12	705541	2	1/2 HARDENED PLAIN WASHER

700149869-0

DKHB ROTARY HEADER
DRIVES

HOUSING ASSEMBLY
(700722693 HOUSING ASSEMBLY)
(S.N. HP05101 AND LATER)



**DKHB ROTARY HEADER
DRIVES**

31

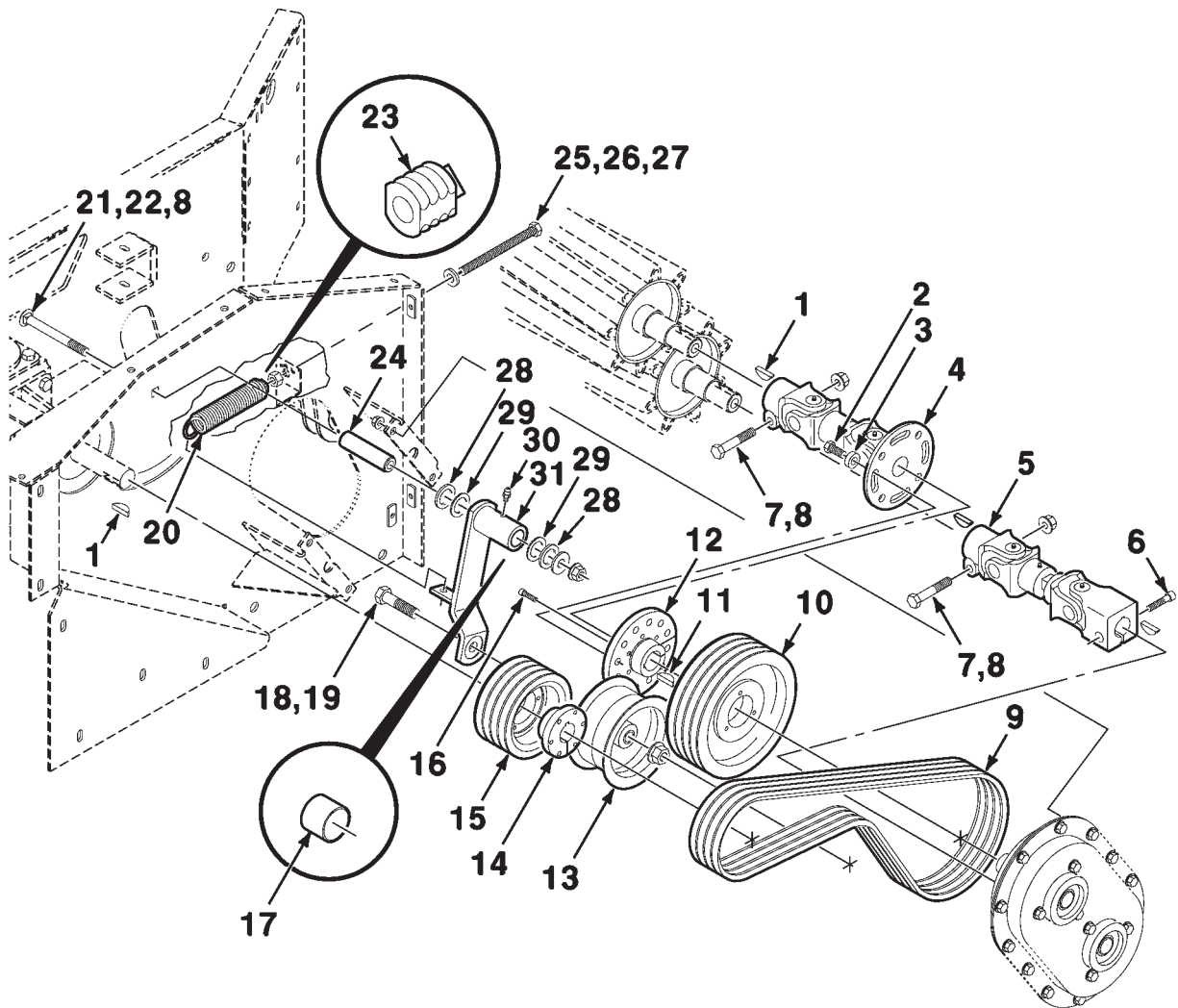
**HOUSING ASSEMBLY
(700722693 HOUSING ASSEMBLY)
(S.N. HP05101 AND LATER)**

ITEM	NUMBER	QTY	DESCRIPTION
1	700722693	1	HOUSING ASSEMBLY
2	7703275	4	M12 X 25 BOLT, CLASS 8.8
3	700714123	1	M8 X 10 BOLT, CLASS 8.8
4	700714122	1	M8 COPPER WASHER
5	700723797	1	EXTENSION
6	700712200	3	PLUG
7	700713539	1	CASING
8	700723123	1	SEAL-OIL
9	700712383	1	BEARING
10	700712360	1	SHIM PACK 48.0 mm
11	700723799	1	SHAFT-PINION
12	700723798	1	BEARING
13	700712362	1	SEAL-OIL
14	700718339	1	FLANGE
15	700722848	4	M12 X 30 BOLT

700722693-0

DKHB ROTARY HEADER
DRIVES

HAY CONDITIONER DRIVE-LEFT (12 FOOT)



**DKHB ROTARY HEADER
DRIVES**

33

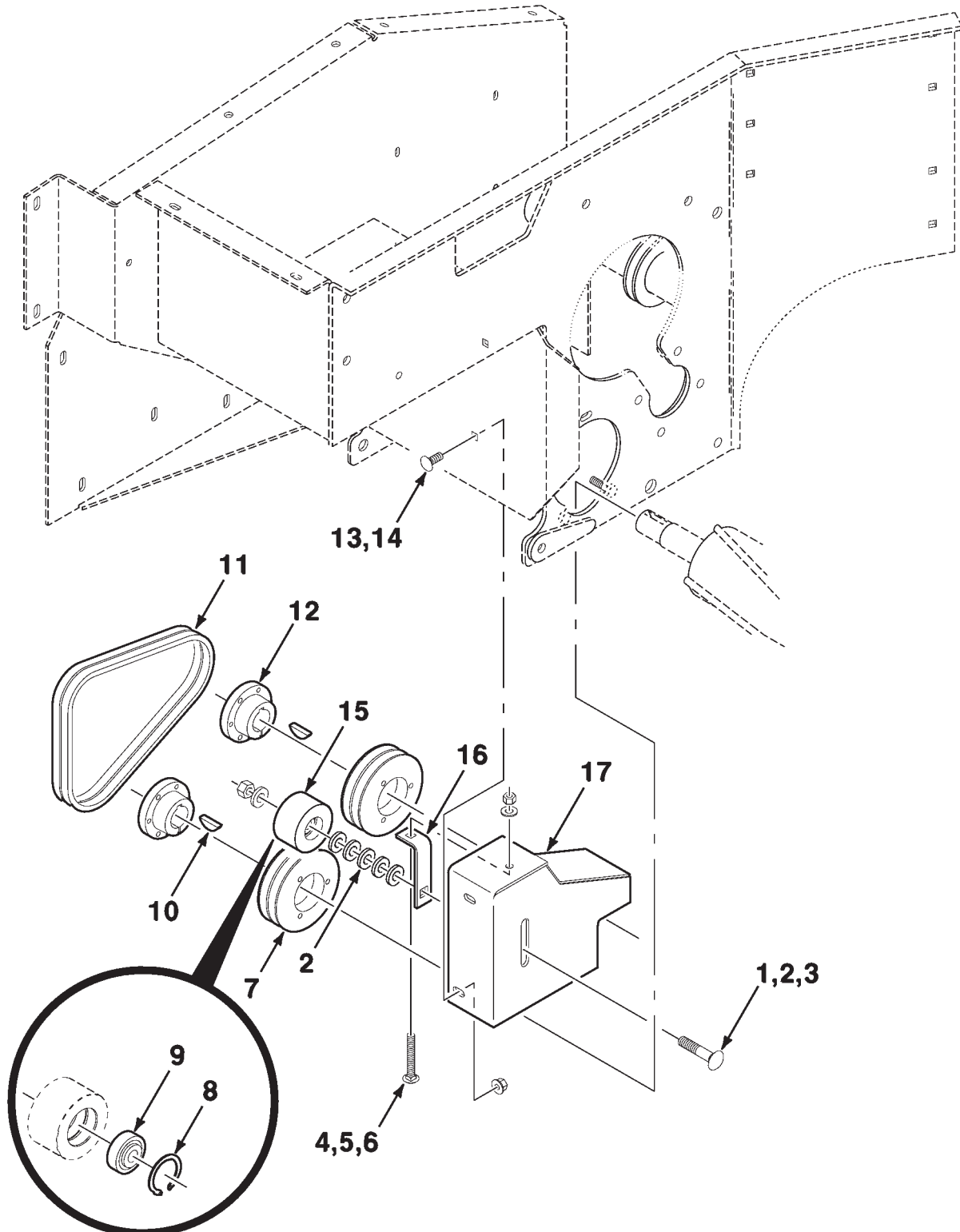
HAY CONDITIONER DRIVE-LEFT (12 FOOT)

ITEM	NUMBER	QTY	DESCRIPTION
1	Y761197	4	5/16 X 1-3/8 KEY-WOODRUFF
2	70920676	4	7/16-14 X 1 CAPSCREW
3	700152311	4	SPACER
4	700719226	1	U-JOINT ASSEMBLY
5	700719402	1	U-JOINT ASSEMBLY
6	70917467	1	3/8-16 X 1-3/4 SCREW-SOCKET SPECIAL
7	70923240	2	1/2-13 X 2-3/4 CAPSCREW
8	Y704742	3	1/2-13 NUT-LOCK, FLANGE GR/G
9	700719689	1	BELT-V, 4 STRAND
10	700149851P	1	SHEAVE-DRIVEN
11	70905126	1	1/4 X 1 KEY-WOODRUFF
12	700152304C	1	HUB-TAPERED
13	700147639C	1	IDLER WA
14	700717698	1	BUSHING-TAPERED
15	700130235C	1	SHEAVE-DRIVER
16	70912262	3	1/4-20 X 1 SCREW-SOCKET SPECIAL
17	52159	1	BUSHING
18	7701659	1	5/8-11 X 2-1/2 CAPSCREW
19	700703922	1	5/8-11 NUT-LOCK, FLANGE GR/G
20	6189971C	1	SPRING ASSEMBLY (Includes Item 23)
21	70929237	1	1/2-13 X 5 BOLT-CARRIAGE
22	700711557	1	1/2 HARDENED WIDE PLAIN WASHER
23	6189989	1	PLUG-SPRING
24	700152309	1	BUSHING
25	873513	1	1/2-13 X 6 CAPSCREW-FULL THREAD
26	705541	1	1/2 HARDENED PLAIN WASHER
27	704031	1	1/2-13 NUT
28	Y52316	2	1 X 10 GAUGE BUSHING-NARROW
29	Y52258	2	1 X 14 GAUGE BUSHING-NARROW
30	70923219	1	ZERK
31	700152305C	1	ARM ASSEMBLY (Includes Item 17)

700152246-1

DKHB ROTARY HEADER
DRIVES

HAY CONDITIONER DRIVE-RIGHT (12 FOOT)



**DKHB ROTARY HEADER
DRIVES**

35

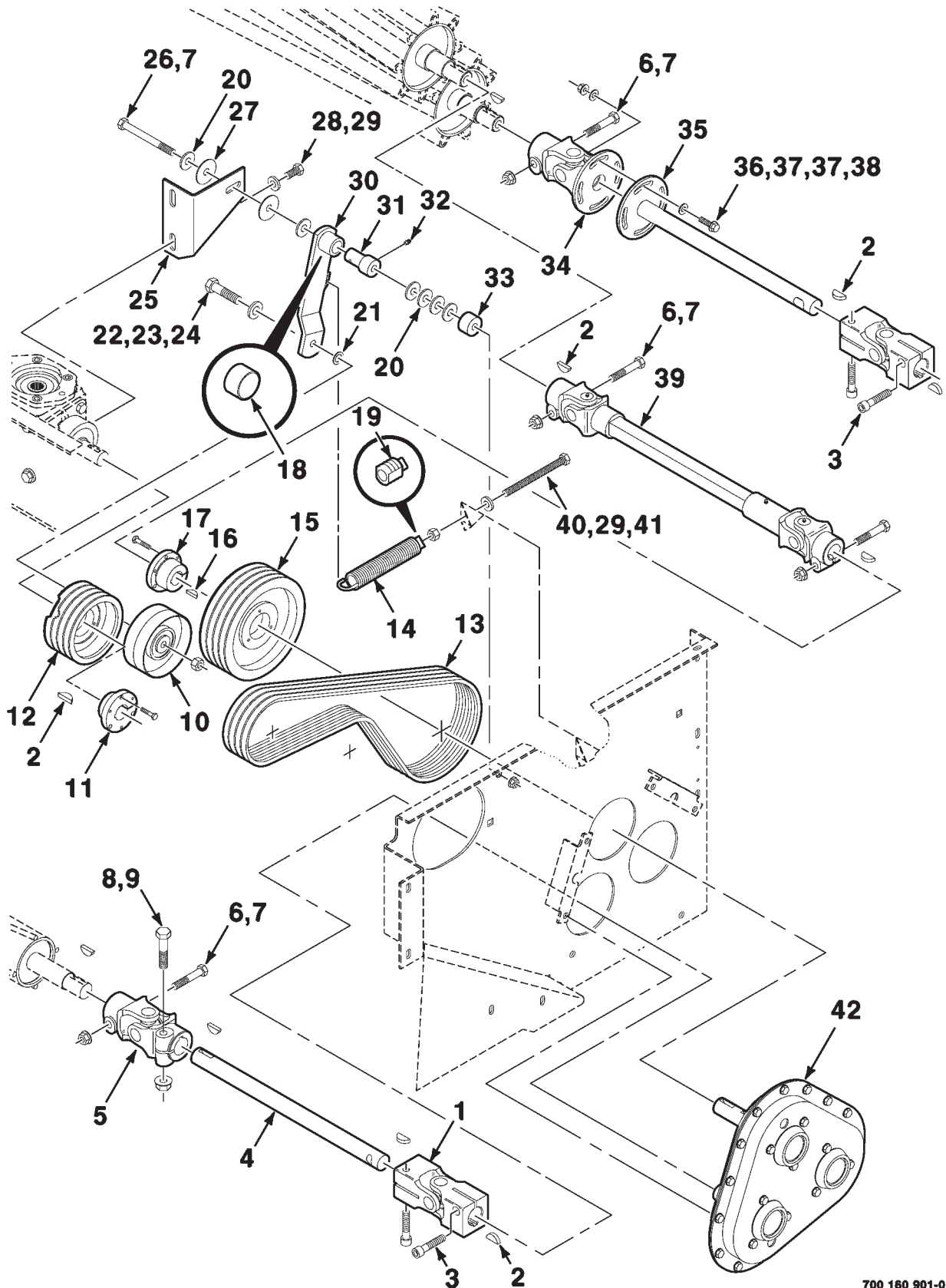
HAY CONDITIONER DRIVE-RIGHT (12 FOOT)

ITEM	NUMBER	QTY	DESCRIPTION
1	70927493	1	1/2-13 X 2-1/2 BOLT-CARRIAGE
2	705541	6	1/2 HARDENED PLAIN WASHER
3	704031	1	1/2-13 NUT
4	700708803	1	3/8-16 X 2-3/4 BOLT-CARRIAGE, FULL THREAD
5	Y705533	1	3/8 HARDENED PLAIN WASHER
6	70916950	1	3/8-16 NUT
7	700153956C	2	SHEAVE-HA
8	740167	1	RING-RETAINING
9	710673	1	BEARING
10	Y761197	2	5/16 X 1-3/8 KEY-WOODRUFF
11	700726011	1	BELT-V, 2 STRAND
12	700717698	2	BUSHING-TAPERED
13	70922786	2	3/8-16 X 1 BOLT-CARRIAGE
14	Y704734	2	3/8-16 NUT-LOCK, FLANGE GR/G
15	700160962C	1	IDLER ASSEMBLY (Includes Items 8 and 9)
16	700153958C	1	TENSIONER
17	700152393P	1	SUPPORT WA-IDLER

700152246-2

DKHB ROTARY HEADER
DRIVES

HAY CONDITIONER DRIVE (15 FOOT)



**DKHB ROTARY HEADER
DRIVES**

37

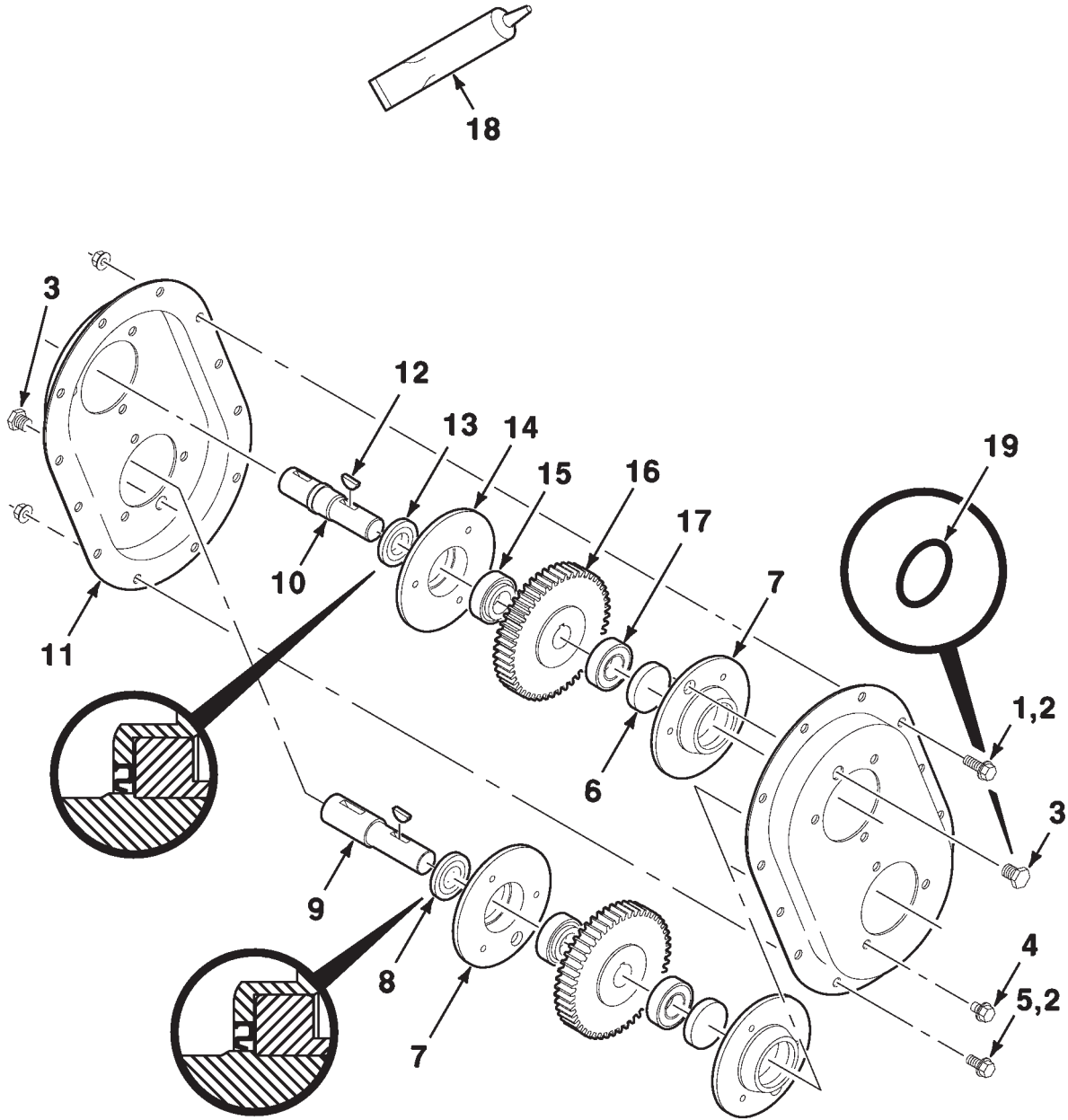
HAY CONDITIONER DRIVE (15 FOOT)

ITEM	NUMBER	QTY	DESCRIPTION
1	700713437	2	U-JOINT ASSEMBLY
2	Y761197	10	5/16 X 1-3/8 KEY-WOODRUFF
3	70917467	4	3/8-16 X 1-3/4 SCREW-SOCKET SPECIAL
4	700149855P	1	SHAFT
5	700715721	2	U-JOINT ASSEMBLY
6	70923240	4	1/2-13 X 2-3/4 CAPSCREW
7	704254	5	1/2-13 NUT-LOCK, FLANGE
8	70926164	1	5/8-11 X 2-3/4 CAPSCREW
9	7774458	1	5/8-11 NUT-LOCK, FLANGE
10	853804	1	IDLER-FLAT
11	700721269	1	BUSHING-TAPERED, SPECIAL
12	700160921C	1	SHEAVE-DRIVER
13	700721267	1	V-BELT, 4HA POWERBAND
14	6189971C	1	SPRING ASSEMBLY (Includes Item 19)
15	700160920C	1	SHEAVE-DRIVEN
16	29780X	1	1/4 X 1 KEY-WOODRUFF, SPECIAL
17	700721268	1	BUSHING-TAPERED, SPECIAL
18	740217	1	BUSHING-OILITE
19	6189989	1	PLUG-SPRING
20	700711557	6	1/2 HARDENED WIDE PLAIN WASHER
21	52175	1	5/8 X 18 GAUGE BUSHING-NARROW
22	7701659	1	5/8-11 X 2-1/2 CAPSCREW
23	Y705582	1	5/8 HARDENED PLAIN WASHER
24	70932665	1	5/8-11 NUT
25	700149857C	1	SUPPORT-IDLER ARM
26	70920272	1	1/2-13 X 5 CAPSCREW
27	700712881	2	1/2 WASHER-FENDER
28	70923114	2	1/2-13 X 1 CAPSCREW
29	705541	3	1/2 HARDENED PLAIN WASHER
30	700130247C	1	ARM ASSEMBLY (Includes Item 18)
31	700130238	1	BUSHING
32	70923219	1	1/4-28 ZERK
33	6235071B	1	SPACER
34	700721265	1	U-JOINT, TIMING
35	700160917C	1	FLANGE WA
36	7883408	4	3/8-16 X 1-1/4 SCREW-FLANGE GR8
37	Y705533	8	3/8 HARDENED PLAIN WASHER
38	Y704734	4	3/8-16 NUT-LOCK, FLANGE GR/G
39	700705407	1	U-JOINT ASSEMBLY
40	873513	1	1/2-13 X 6 CAPSCREW-FULL THREAD
41	704031	1	1/2-13 NUT
42	700149848	1	GEARBOX ASSEMBLY

700160901-0

DKHB ROTARY HEADER
DRIVES

GEARBOX ASSEMBLY (12 FOOT)



**DKHB ROTARY HEADER
DRIVES**

39

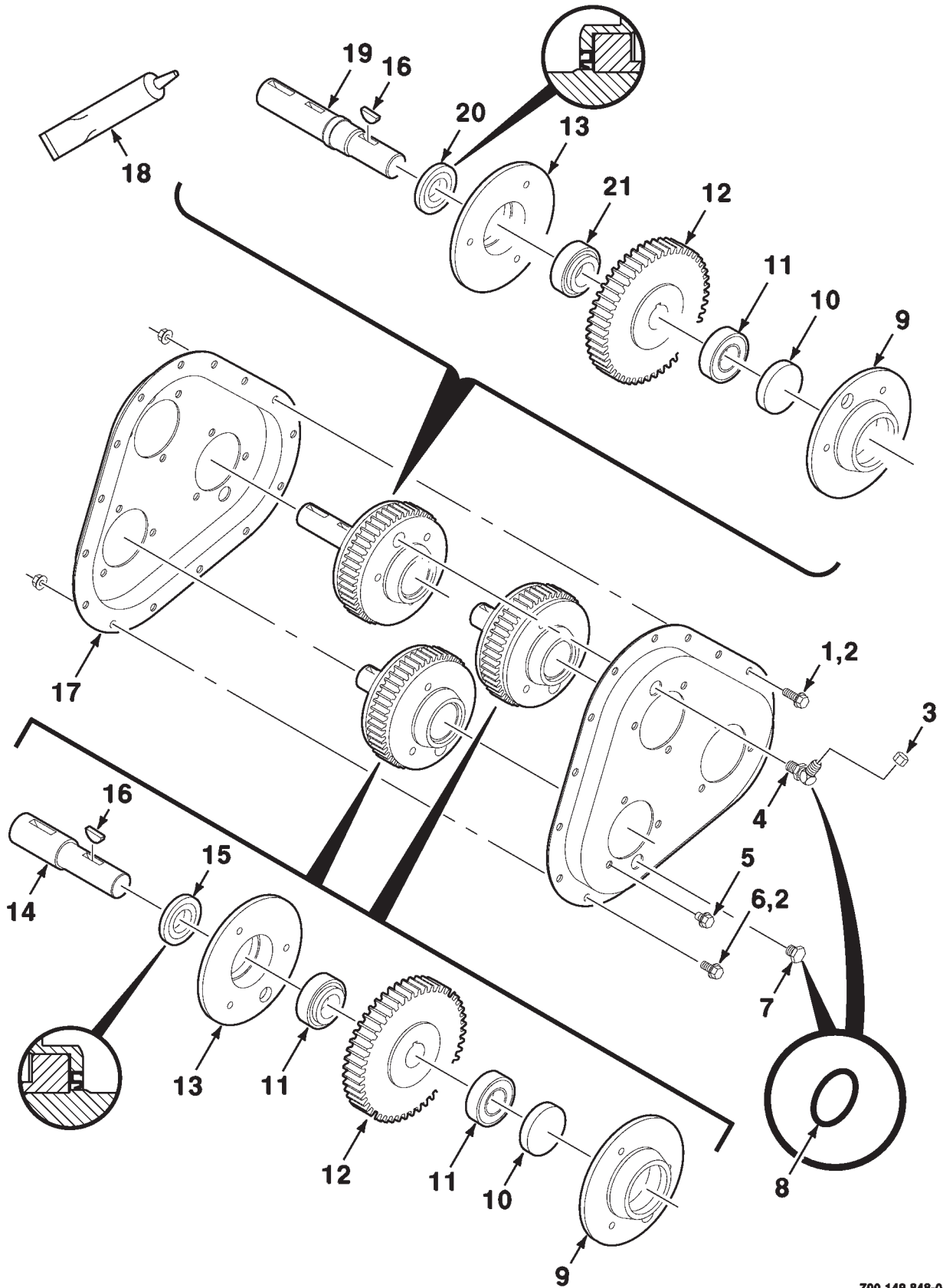
GEARBOX ASSEMBLY (12 FOOT)

ITEM	NUMBER	QTY	DESCRIPTION
1	7883382	4	3/8-16 X 1 SCREW-FLANGE
2	704247	12	3/8-16 NUT-LOCK, FLANGE
3	70921573	2	3/4-16 ORB PLUG (Includes O-Ring)
4	7883366	12	3/8-16 X 1/2 SCREW-FLANGE
5	7883374	8	3/8-16 X 3/4 SCREW-FLANGE
6	700712677	2	PLUG
7	700130244	3	RETAINER-BEARING
8	7044951	1	SEAL-OIL
9	700130246	1	SHAFT-LOWER
10	700152303	1	SHAFT-UPPER
11	700130240P	2	PLATE-HALF
12	70905126	2	1/4 X 1 KEY-WOODRUFF
13	700708327	1	SEAL
14	700130303	1	RETAINER-BEARING
15	710871	1	BEARING-CYLINDRICAL
16	700721835	2	GEAR
17	70590610	3	BEARING-CYLINDRICAL
18	700716946	1	SEALANT-13 OZ TUBE
19	70921349	AR	.644 I.D. O-RING

700152301-0

DKHB ROTARY HEADER
DRIVES

GEARBOX ASSEMBLY (15 FOOT)
(700149848 GEARBOX ASSEMBLY)



DKHB ROTARY HEADER
DRIVES

41

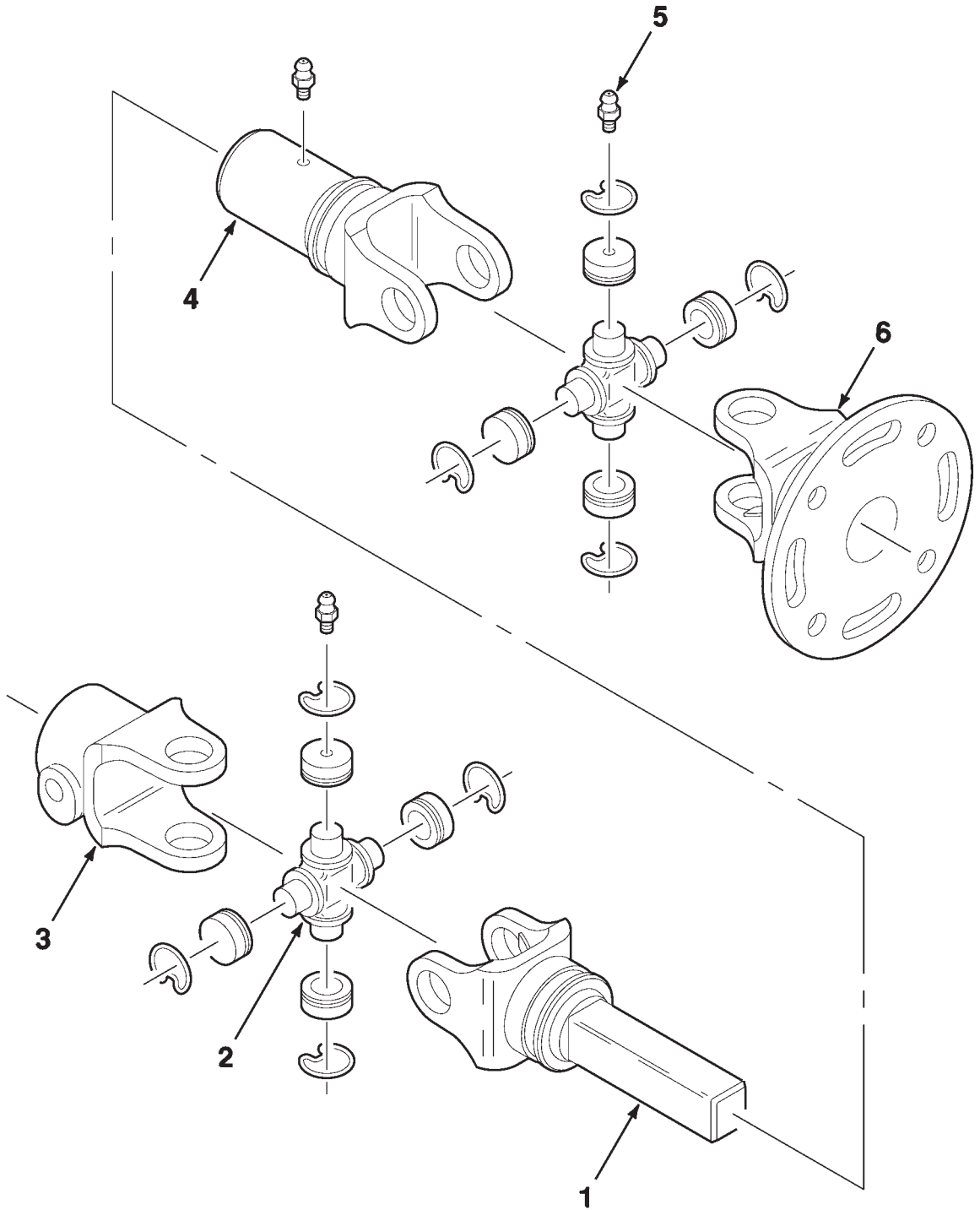
GEARBOX ASSEMBLY (15 FOOT)
(700149848 GEARBOX ASSEMBLY)

ITEM	NUMBER	QTY	DESCRIPTION
-	700149848	1	GEARBOX ASSEMBLY
1	7883382	4	3/8-16 X 1 SCREW-FLANGE
2	704247	15	3/8-16 NUT-LOCK, FLANGE
3	70923737	1	CAP
4	70922507	1	ELBOW-3/4-16 X 45 Degree (Includes O-Ring)
5	7883366	18	3/8-16 X 1/2 SCREW-FLANGE
6	7883374	11	3/8-16 X 3/4 SCREW-FLANGE
7	70921573	1	3/4-16 ORB PLUG (Includes O-Ring)
8	70921349	2	.644 I.D. O-RING
9	700130244	2	RETAINER-BEARING
10	700712677	2	PLUG
11	70590610	3	BEARING-CYLINDRICAL
12	700721835	2	GEAR
13	700130303	2	RETAINER-BEARING
14	700130246	1	SHAFT-LOWER
15	7044951	1	SEAL-OIL
16	70905126	2	1/4 X 1 KEY-WOODRUFF
17	700149850P	2	GEARCASE-HALF
18	700716946	1	SEALANT-13 OZ TUBE
19	700130243	1	SHAFT-UPPER
20	700708327	1	SEAL
21	710871	1	BEARING-CYLINDRICAL

700149848-0

DKHB ROTARY HEADER
DRIVES

U-JOINT ASSEMBLY-TIMING (12 FOOT)
(700719226 U-JOINT ASSEMBLY)



**DKHB ROTARY HEADER
DRIVES**

43

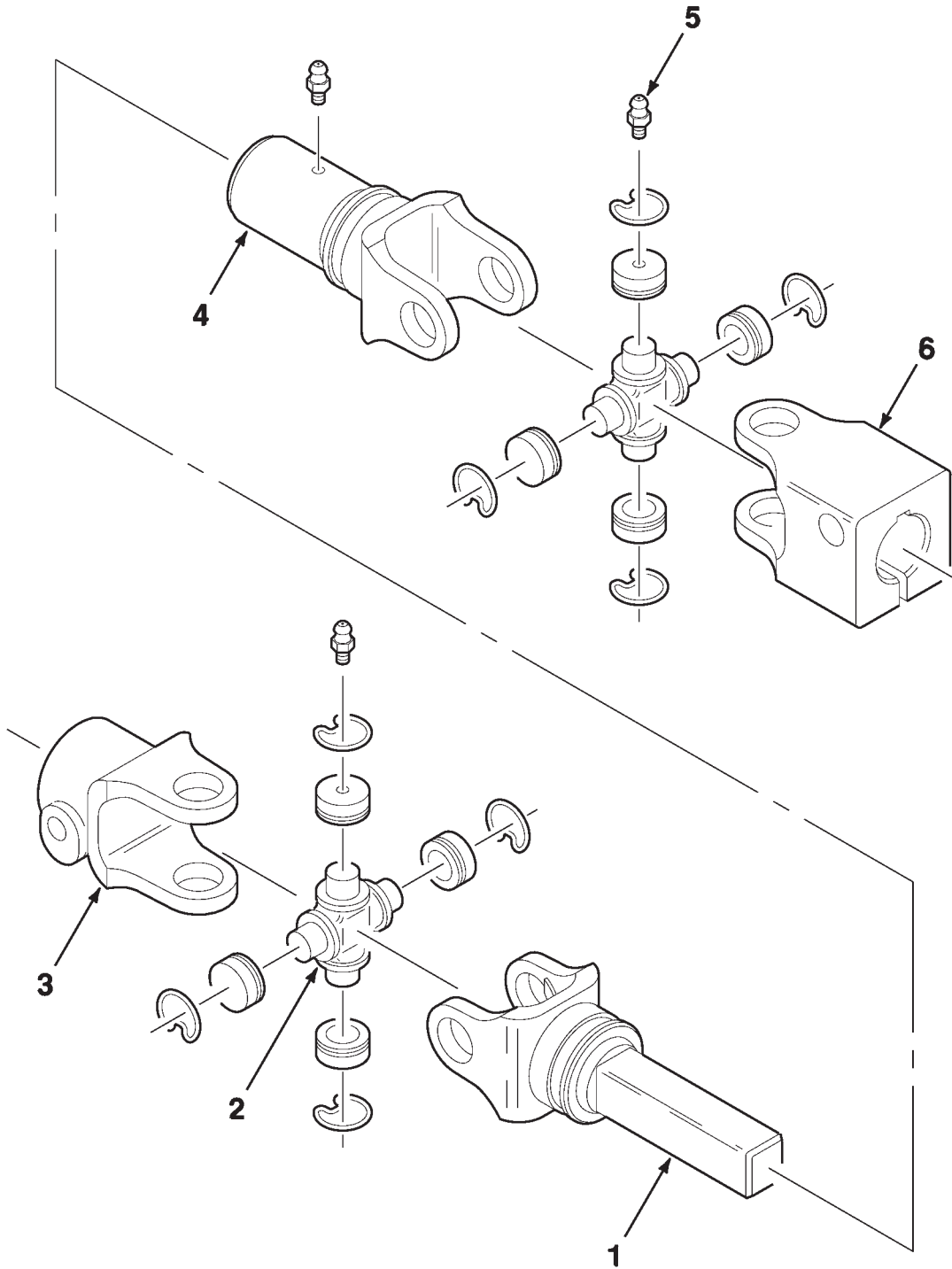
**U-JOINT ASSEMBLY-TIMING (12 FOOT)
(700719226 U-JOINT ASSEMBLY)**

ITEM	NUMBER	QTY	DESCRIPTION
-	700719226	1	U-JOINT ASSEMBLY
1	700708948	1	YOKE AND SHAFT
2	700711843	2	CROSS AND BEARING KIT (Includes Item 5)
3	757716	1	YOKE
4	700708949	1	SLIP YOKE
5	70914687	3	ZERK 1/4-28
6	700726517	1	YOKE AND FLANGE

700719226-0

DKHB ROTARY HEADER
DRIVES

U-JOINT ASSEMBLY (12 FOOT)
(700719402 U-JOINT ASSEMBLY)



**DKHB ROTARY HEADER
DRIVES**

45

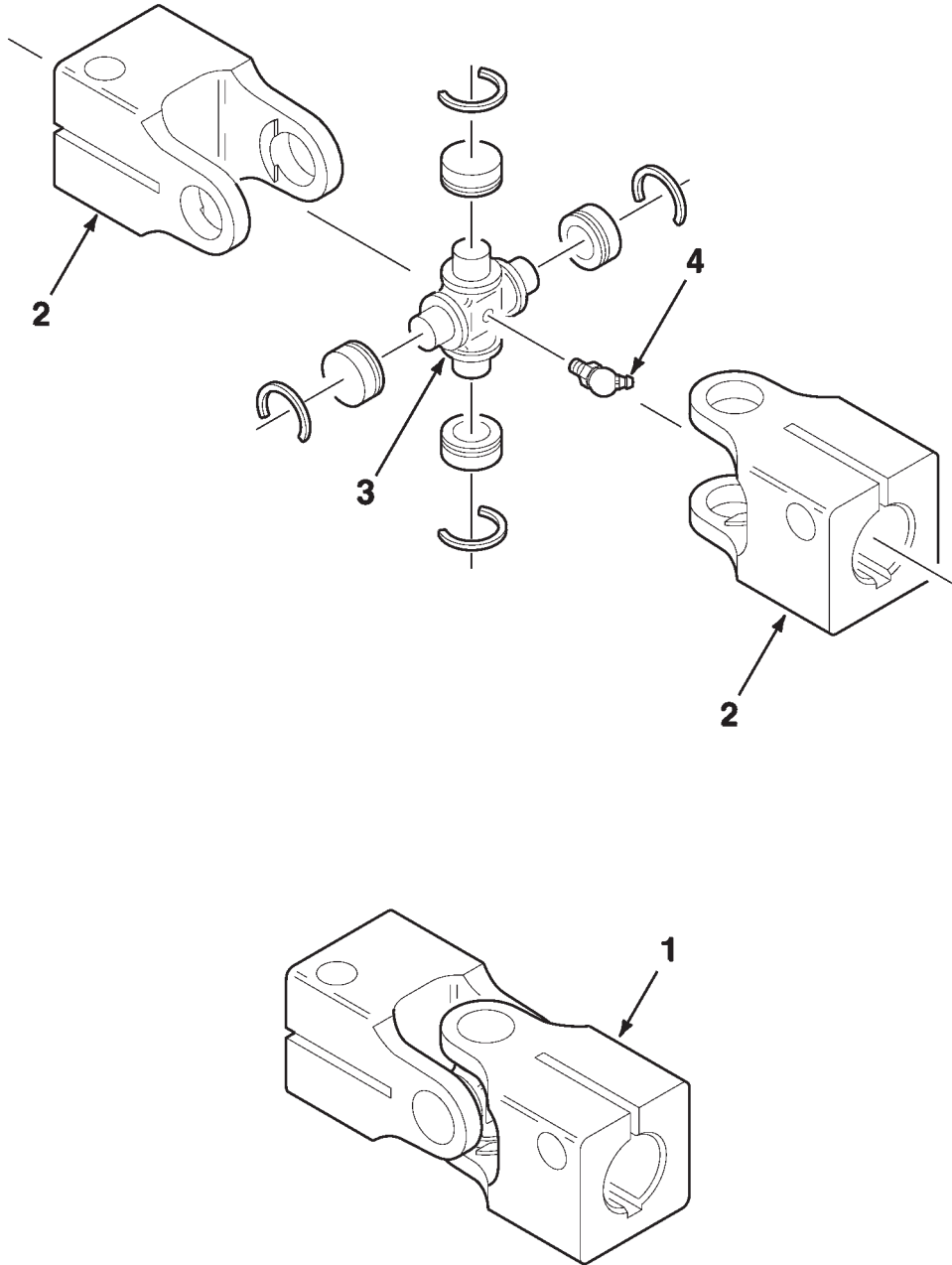
**U-JOINT ASSEMBLY (12 FOOT)
(700719402 U-JOINT ASSEMBLY)**

ITEM	NUMBER	QTY	DESCRIPTION
-	700719402	1	U-JOINT ASSEMBLY
1	700718305	1	YOKE AND SHAFT
2	700711843	2	CROSS AND BEARING KIT (Includes Item 5)
3	757716	1	YOKE
4	700708949	1	SLIP YOKE
5	70914687	3	ZERK 1/4-28
6	700713472	1	YOKE

700719402-0

DKHB ROTARY HEADER
DRIVES

U-JOINT ASSEMBLY (15 FOOT)
(700713437 U-JOINT ASSEMBLY)



**DKHB ROTARY HEADER
DRIVES**

47

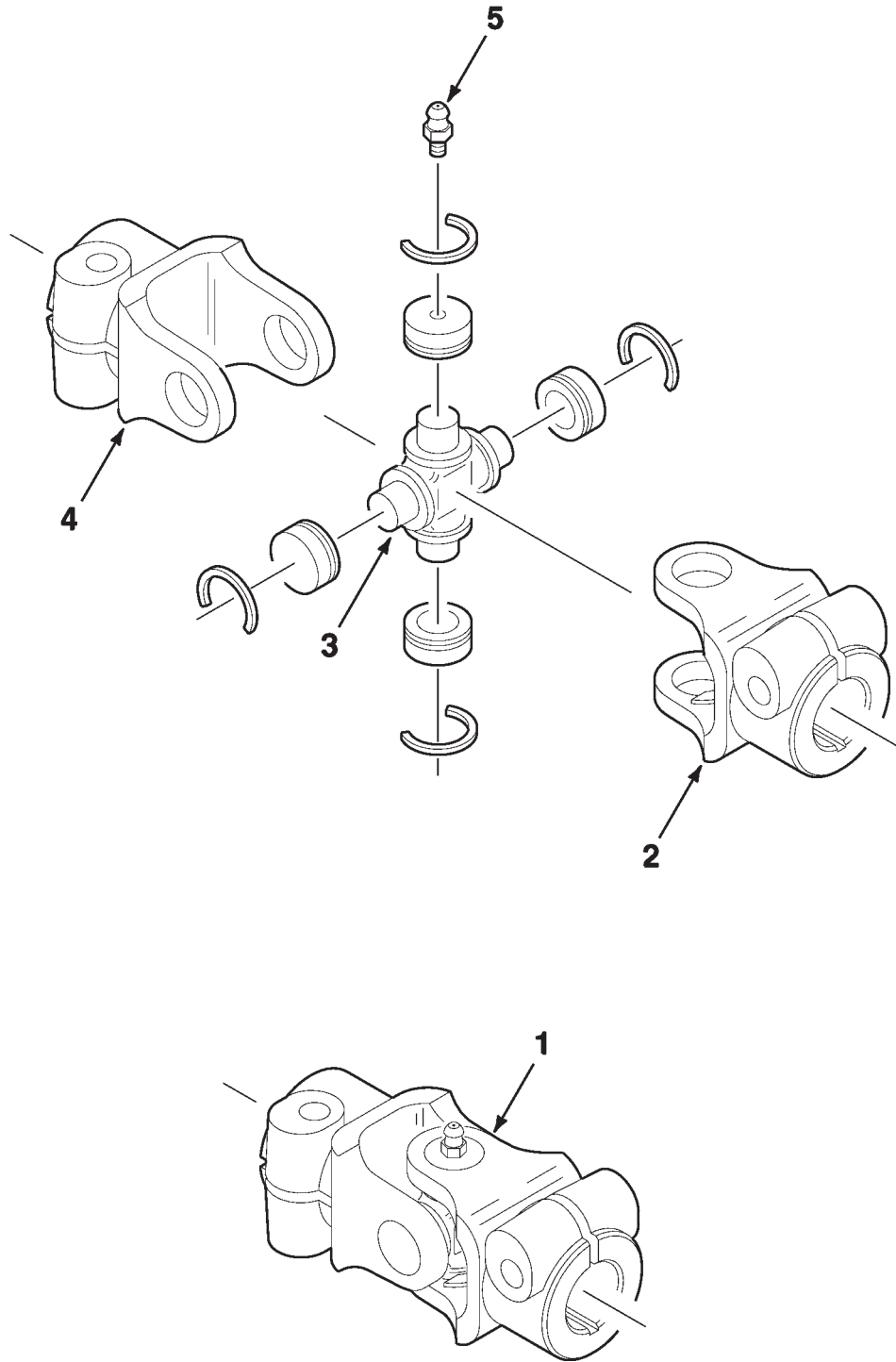
**U-JOINT ASSEMBLY (15 FOOT)
(700713437 U-JOINT ASSEMBLY)**

ITEM	NUMBER	QTY	DESCRIPTION
1	700713437	1	U-JOINT ASSEMBLY
2	700713472	2	YOKE
3	30366E91	1	CROSS AND BEARING KIT (Includes Item 4)
4	70915275	1	1/8-27 X 65 Degree ZERK

700713437-0

DKHB ROTARY HEADER
DRIVES

U-JOINT ASSEMBLY (15 FOOT)
(700715721 U-JOINT ASSEMBLY)



**DKHB ROTARY HEADER
DRIVES**

49

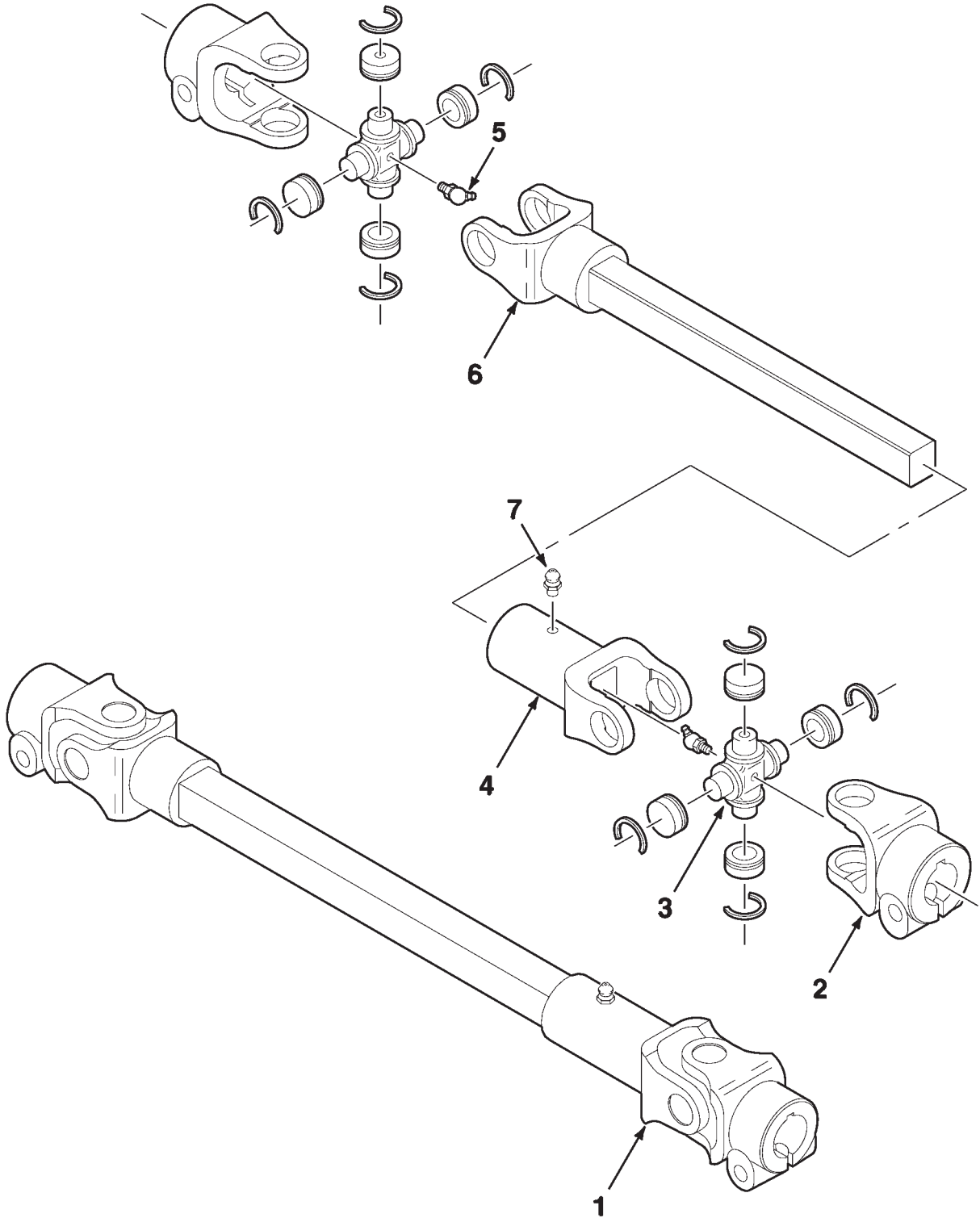
**U-JOINT ASSEMBLY (15 FOOT)
(700715721 U-JOINT ASSEMBLY)**

ITEM	NUMBER	QTY	DESCRIPTION
1	700715721	1	U-JOINT ASSEMBLY
2	757716	1	YOKE
3	700711843	1	CROSS AND BEARING KIT (Includes Item 5)
4	700705535	1	YOKE
5	70914687	1	1/4-28ZERK

700715721-0

DKHB ROTARY HEADER
DRIVES

U-JOINT ASM-UPPER H/C DRIVE (15 FOOT)
(700705407 U-JOINT ASSEMBLY)



**DKHB ROTARY HEADER
DRIVES**

51

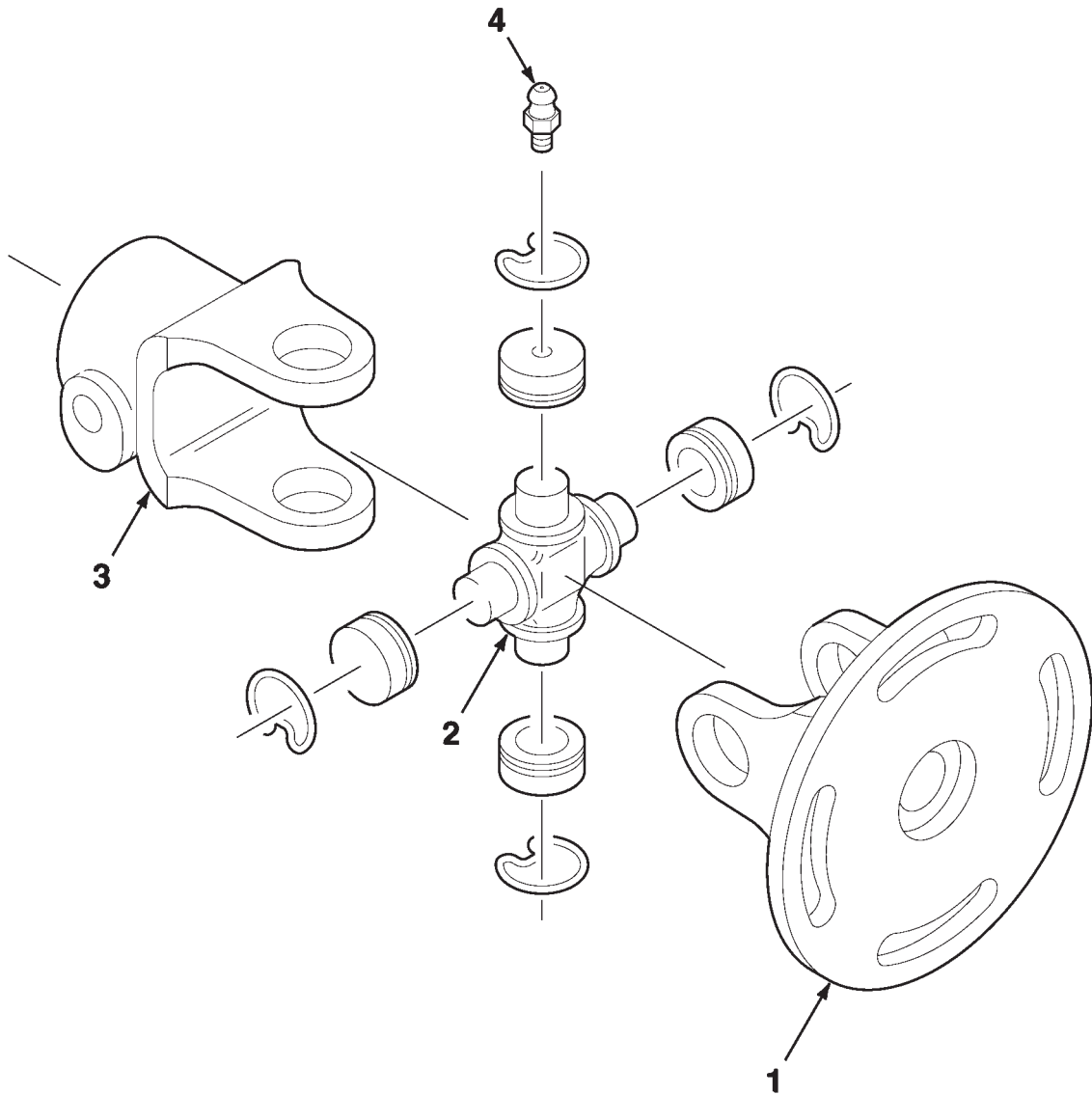
**U-JOINT ASM-UPPER H/C DRIVE (15 FOOT)
(700705407 U-JOINT ASSEMBLY)**

ITEM	NUMBER	QTY	DESCRIPTION
1	700705407	1	U-JOINT ASSEMBLY
2	757716	2	YOKE-CLAMP
3	30366E91	2	KIT-CROSS AND BEARING (Includes Item 5)
4	700704955	1	YOKE-SLIP
5	70915275	2	1/8-27 X 65 Degree ZERK
6	700704954	1	YOKE AND SHAFT
7	70923219	1	1/4-28 ZERK

700713409-0

DKHB ROTARY HEADER
DRIVES

U-JOINT ASSEMBLY-TIMING (15 FOOT)
(700721265 U-JOINT ASSEMBLY)



**DKHB ROTARY HEADER
DRIVES**

53

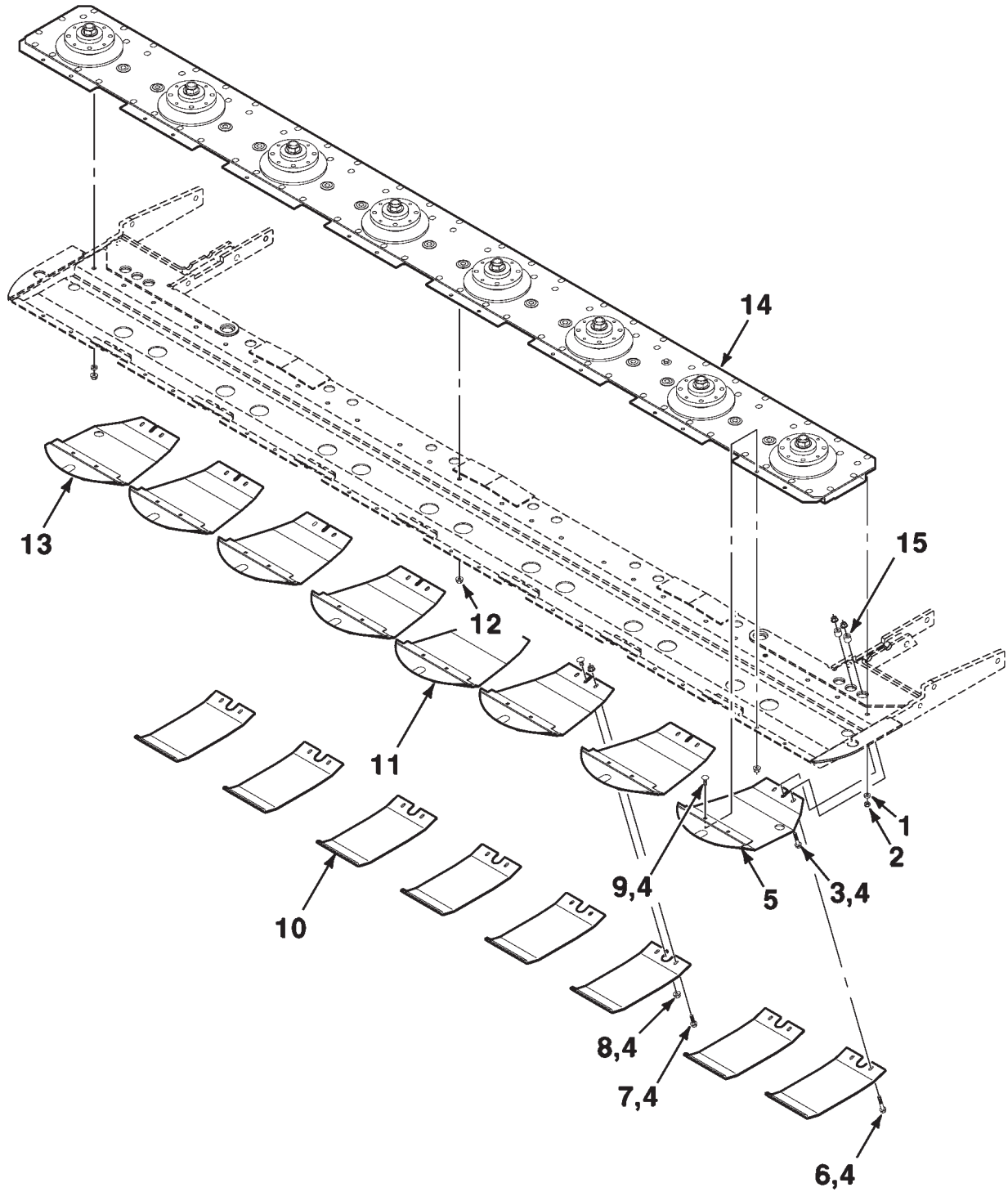
**U-JOINT ASSEMBLY-TIMING (15 FOOT)
(700721265 U-JOINT ASSEMBLY)**

ITEM	NUMBER	QTY	DESCRIPTION
-	700721265	1	U-JOINT ASSEMBLY
1	700721607	1	YOKE AND FLANGE
2	700711843	1	CROSS AND BEARING KIT (Includes Item 4)
3	757716	1	YOKE
4	70914687	1	ZERK 1/4-28

700721265-0

DKHB ROTARY HEADER
SICKLE

CUTTER BAR, ROCK GUARD AND SKID SHOE
(12 FOOT)



**DKHB ROTARY HEADER
SICKLE**

55

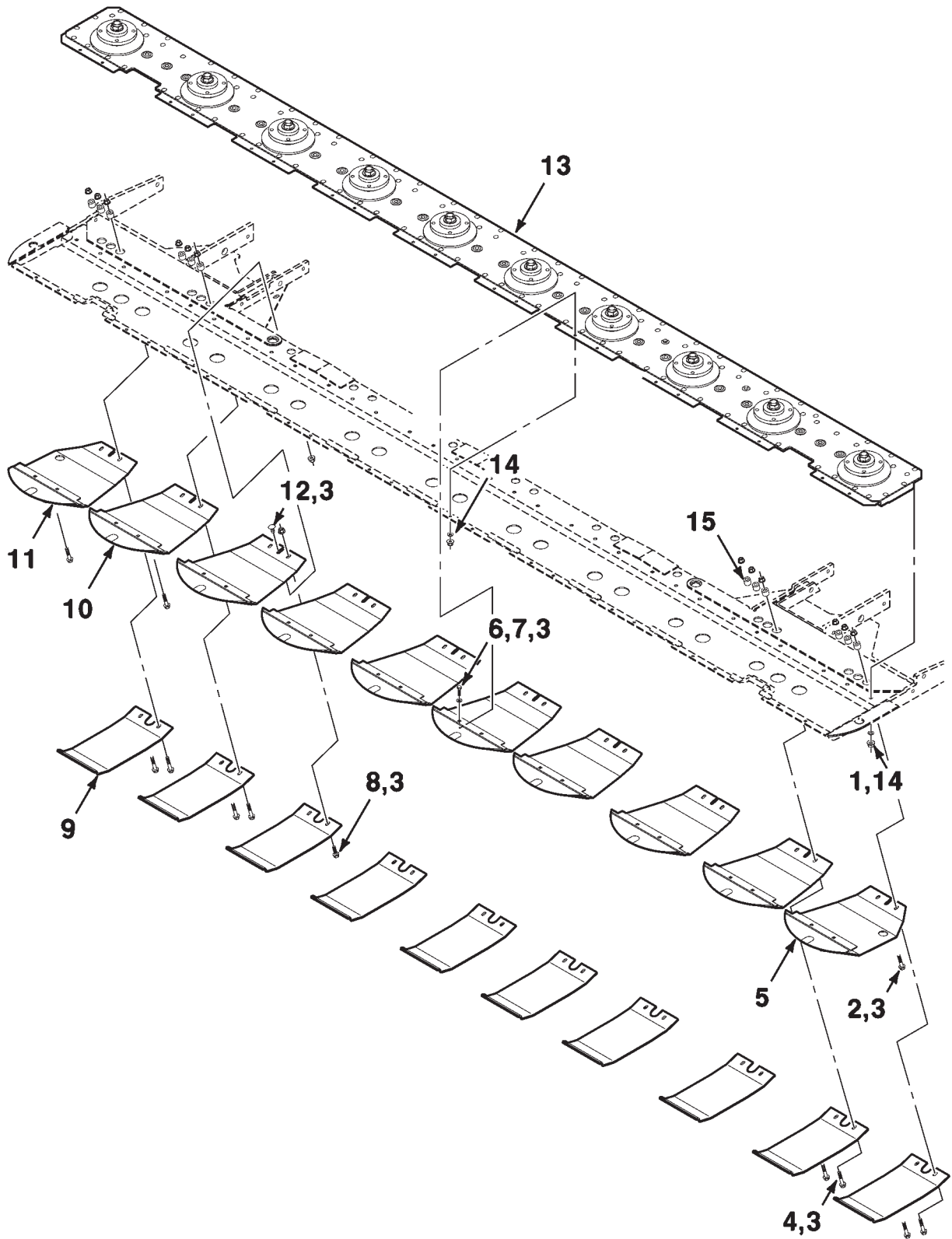
**CUTTER BAR, ROCK GUARD AND SKID SHOE
(12 FOOT)**

ITEM	NUMBER	QTY	DESCRIPTION
1	700149867	6	WASHER-HARDENED, SPECIAL
2	7774664	6	M10 X 1.5 NUT CL10
3	700711134	2	3/8-16 X 1-3/4 SCREW-FLANGE GR8
4	Y704734	40	3/8-16 NUT-LOCK, FLANGE GR/G
5	700149861C	1	GUARD WA-ROCK, LEFT
6	700711132	4	3/8-16 X 2 SCREW-FLANGE GR8
7	7883408	12	3/8-16 X 1-1/4 SCREW-FLANGE GR8
8	70922784	6	3/8-16 X 3/4 BOLT-CARRIAGE
9	68759	16	3/8-16 X 1 BOLT-CARRIAGE
10	700717701	8	SKID SHOE
11	700149858P	6	GUARD WA-ROCK
12	700711876	18	M10 X 1.5 NUT-LOCK, FLANGE CL9
13	700149863C	1	GUARD WA-ROCK, RIGHT
14	700713464	1	CUTTER BAR ASSEMBLY
15	6457782	6	SPACER

700161087-1

DKHB ROTARY HEADER
SICKLE

CUTTER BAR, ROCK GUARD AND SKID SHOE
(15 FOOT)



**DKHB ROTARY HEADER
SICKLE**

57

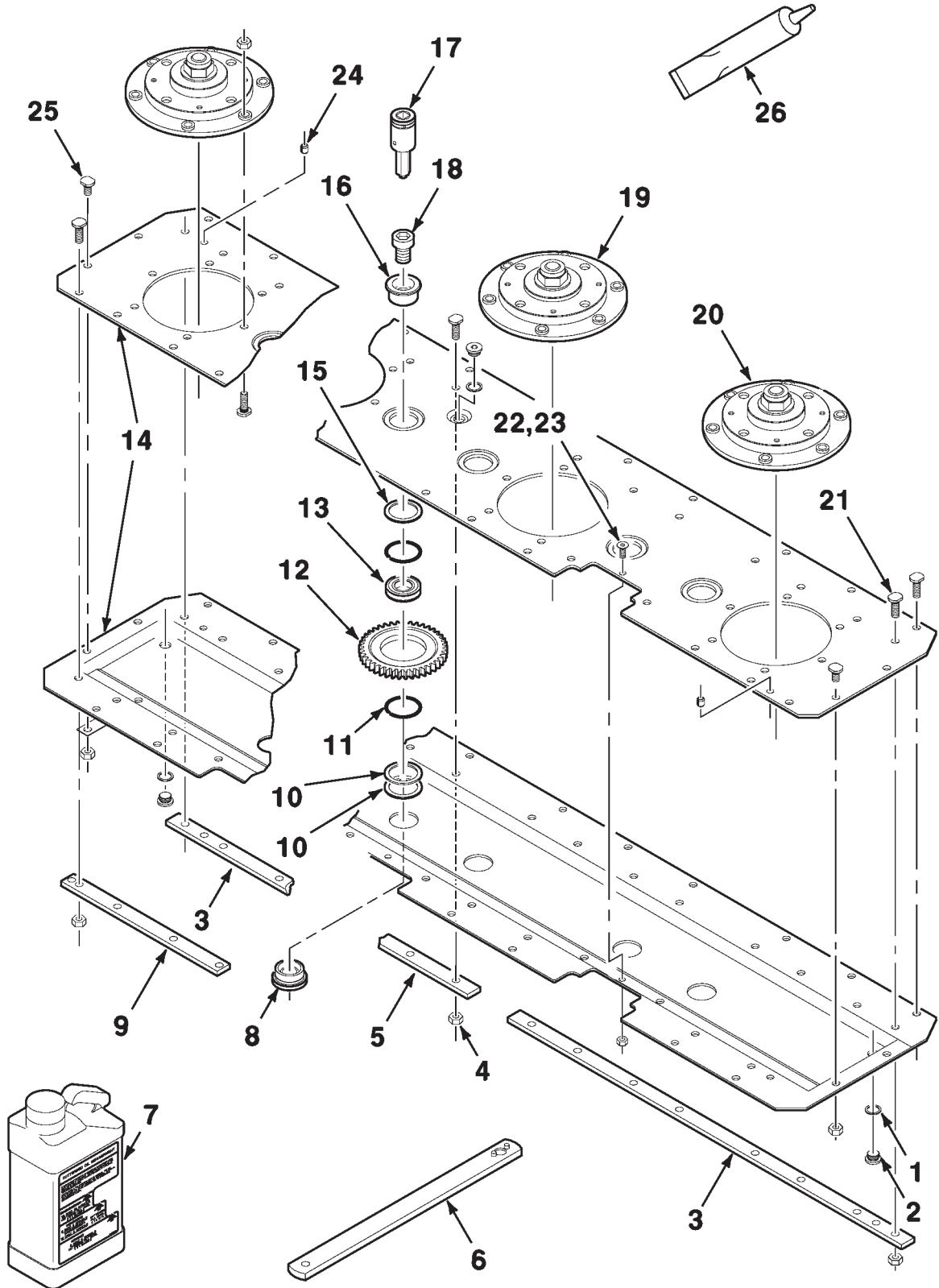
**CUTTER BAR, ROCK GUARD AND SKID SHOE
(15 FOOT)**

ITEM	NUMBER	QTY	DESCRIPTION
1	7774664	30	M10 X 1.5 NUT CL10
2	700711134	4	3/8-16 X 1-3/4 SCREW-FLANGE GR8
3	Y704734	50	3/8-16 NUT-LOCK, FLANGE GR/G
4	700711132	8	3/8-16 X 2 SCREW-FLANGE GR8
5	700149861C	1	GUARD WA-ROCK, LEFT
6	70922605	20	3/8-16 X 1-1/4 CAPSCREW GR8
7	Y705533	20	3/8 HARDENED PLAIN WASHER
8	7883408	12	3/8-16 X 1-1/4 SCREW-FLANGE GR8
9	700717701	10	SKID SHOE
10	700149858P	8	GUARD WA-ROCK
11	700149863C	1	GUARD WA-ROCK, RIGHT
12	70922784	6	3/8-16 X 3/4 BOLT-CARRIAGE
13	700717697	1	CUTTER BAR ASSEMBLY
14	700149867	50	HARDENED SPECIAL WASHER
15	6457782	12	SPACER

700160900-3

DKHB ROTARY HEADER
SICKLE

CUTTER BAR ASSEMBLY (12 FOOT)
(700713464 CUTTER BAR ASSEMBLY)



DKHB ROTARY HEADER
SICKLE

59

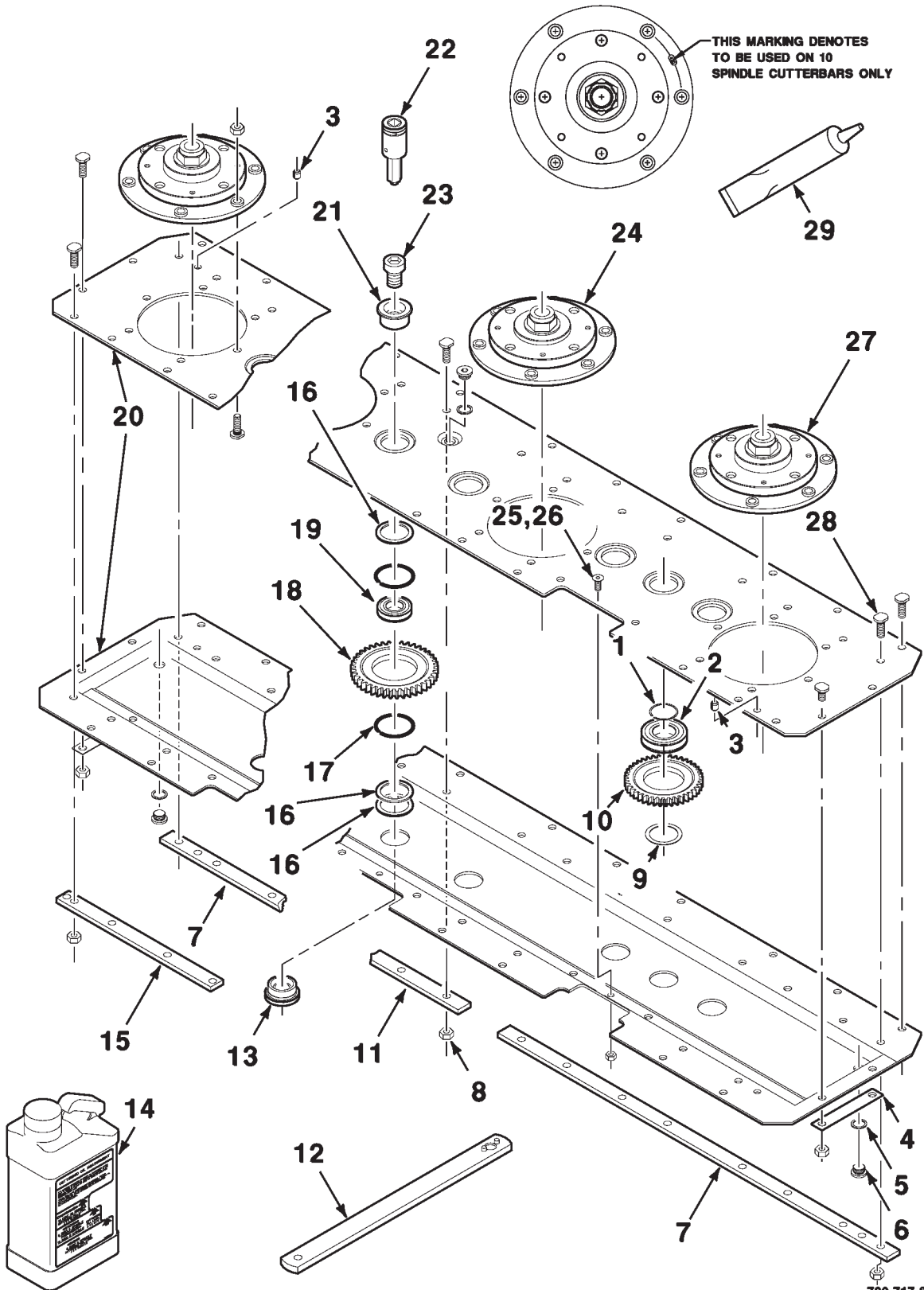
CUTTER BAR ASSEMBLY (12 FOOT)
(700713464 CUTTER BAR ASSEMBLY)

ITEM	NUMBER	QTY	DESCRIPTION
-	700713464	1	CUTTER BAR ASSEMBLY
1	700712393	3	WASHER-COPPER
2	700712394	3	PLUG
3	700712399	2	REINFORCEMENT-BACK
4	1440249X1	116	M10 X 1.5 HEX NUT
5	700712396	1	REINFORCEMENT-BACK
6	700128266	1	WRENCH-SPANNER
7	700149964	1	BOTTLE ASSEMBLY
8	700712970	14	NUT
9	700712421	8	REINFORCEMENT-FRONT
10	700712412	28	SHIM
11	700712415	28	RING-RETAINING
12	700712420	14	GEAR
13	700726228	14	BEARING
14	700712397	1	CUTTERBED and COVER
15	700712418	14	SHIM
16	700712969	14	PIN
17	700127414	1	HEX KEY SOCKET
18	700712417	14	M20 X 2.5 X 30 BOLT
19	700719597	6	SPINDLE ASSEMBLY-INNER
20	700719598	2	SPINDLE ASSEMBLY-OUTER
21	700712401	136	M10 X 1.5 X 30 SCREW
22	1441456X1	7	M8 X 1.25 X 20 BOLT, SPECIAL
23	1702893	7	M8 X 1.25 NUT
24	700712395	2	M10 X 12 SLOTTED SPRING PIN
25	700712410	4	M10 X 1.5 X 19 SCREW
26	700716946	1	SEALANT-13 OZ TUBE

700713464-0

DKHB ROTARY HEADER
SICKLE

CUTTER BAR ASSEMBLY (15 FOOT)
(700149848 GEARBOX ASSEMBLY)



**DKHB ROTARY HEADER
SICKLE**

61

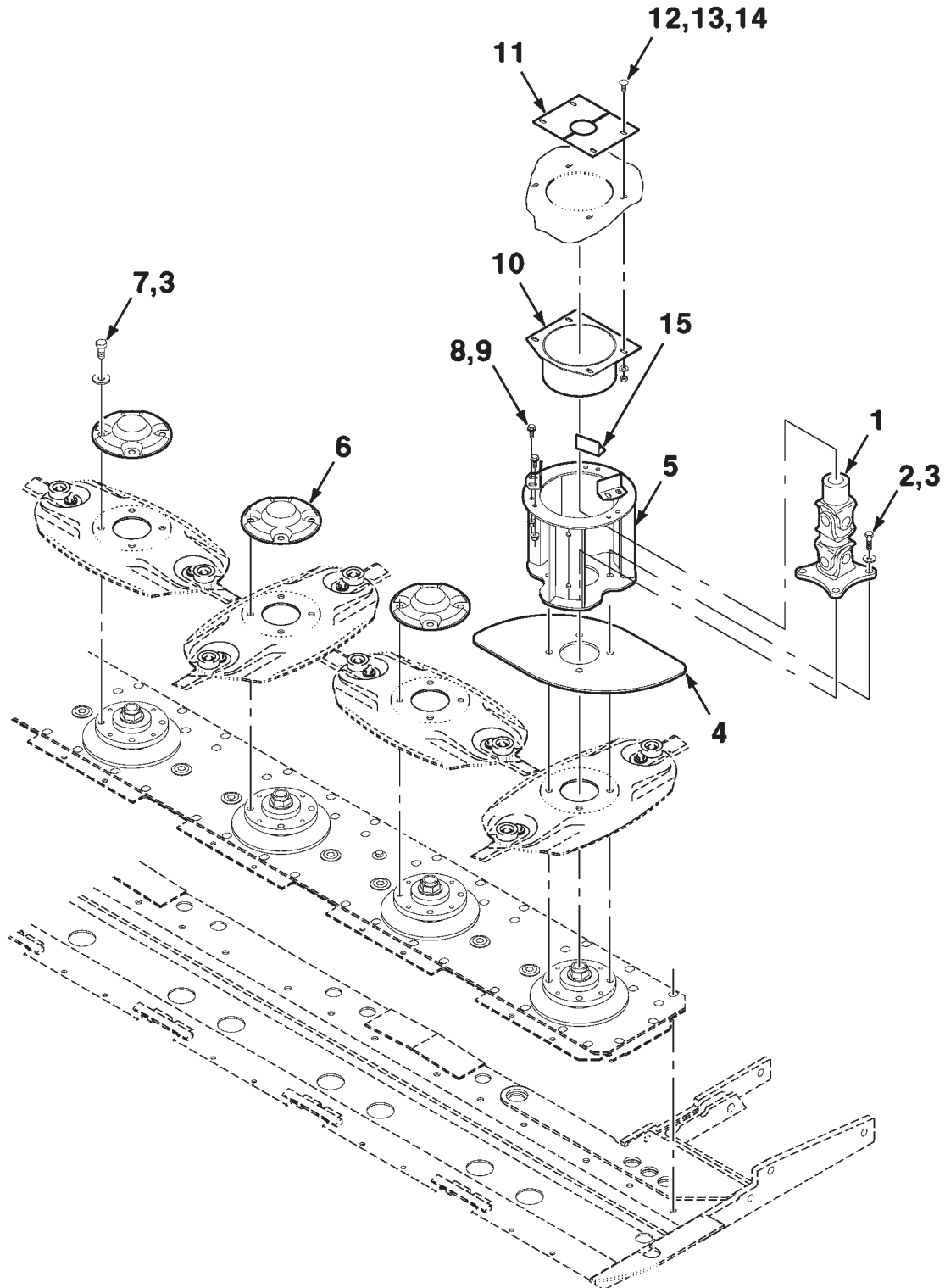
**CUTTER BAR ASSEMBLY (15 FOOT)
(700149848 GEARBOX ASSEMBLY)**

ITEM	NUMBER	QTY	DESCRIPTION
-	700149848	1	GEARBOX ASSEMBLY
1	700718363	6	SNAP RING
2	700718362	6	BEARING
3	700712395	2	PIN-SPRING M10 X 12
4	700718800	2	REINFORCEMENT-END
5	700712393	4	WASHER-COPPER
6	700712394	4	PLUG
7	700718345	2	REINFORCEMENT-BACK
8	7774664	142	M10 X 1.5 HEX NUT CLASS 10
9	700712418	6	SHIM 40.3 X 1.0
10	700718360	6	GEAR
11	700712396	1	REINFORCEMENT-BACK
12	700128266	1	WRENCH-SPANNER
13	700718347	20	NUT
14	700149964	1	BOTTLE ASSEMBLY
15	700712421	10	REINFORCEMENT-FRONT
16	700718349	42	SHIM
17	700712415	28	RING-RETAINING
18	700712420	14	GEAR
19	700726228	14	BEARING
20	700718356	1	CUTTERBED and COVER
21	700718348	20	PIN
22	700127414	1	HEX KEY SOCKET
23	700712417	20	M20 X 2.5 X 30 BOLT
24	700719597	8	SPINDLE ASSEMBLY-INNER
25	1441456X1	13	M8 X 1.25 X 20 BOLT, SPECIAL
26	1702893	13	M8 X 1.25 NUT
27	700719598	2	SPINDLE ASSEMBLY-OUTER
28	700712401	172	M10 X 1.5 X 30 SCREW
29	700716946	1	SEALANT-13 OZ TUBE

700717697-0

DKHB ROTARY HEADER
SICKLE

CUTTER DISC MOUNTING-LEFT (12 FOOT)



DKHB ROTARY HEADER
SICKLE

63

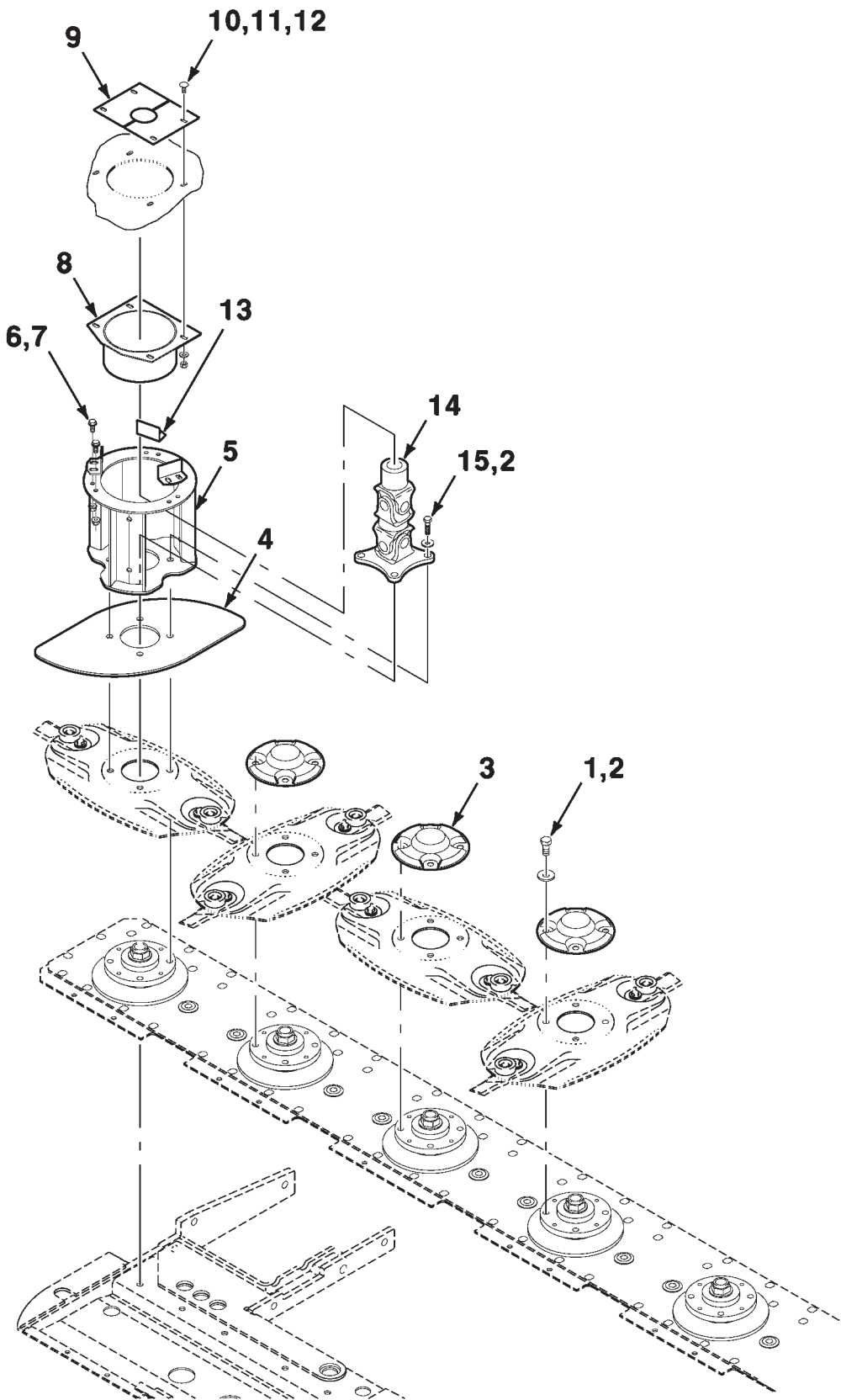
CUTTER DISC MOUNTING-LEFT (12 FOOT)

ITEM	NUMBER	QTY	DESCRIPTION
1	700721264	1	U-JOINT ASSEMBLY
2	70927522	4	1/2-20 X 1-3/4 CAPSCREW
3	705541	16	1/2 HARDENED PLAIN WASHER
4	700149868C	1	SLINGER
5	700156515C	1	CAGE WA
6	700127062C	3	CAP-DISC
7	70927158	12	1/2-20 X 1 CAPSCREW
8	7883325	6	5/16-18 X 3/4 SCREW-FLANGE
9	Y704726	6	5/16-18 NUT-LOCK, FLANGE GR/G
10	700156111C	1	SHIELD WA
11	700160896C	2	COVER
12	70931333	4	5/16-18 X 3/4 BOLT-CARRIAGE
13	Y705525	4	5/16 HARDENED PLAIN WASHER
14	Y704015	4	5/16-18 NUT
15	700160897C	3	ANGLE-FIN

700161087-2

DKHB ROTARY HEADER
SICKLE

CUTTER DISC MOUNTING-RIGHT (12 FOOT)



DKHB ROTARY HEADER
SICKLE

65

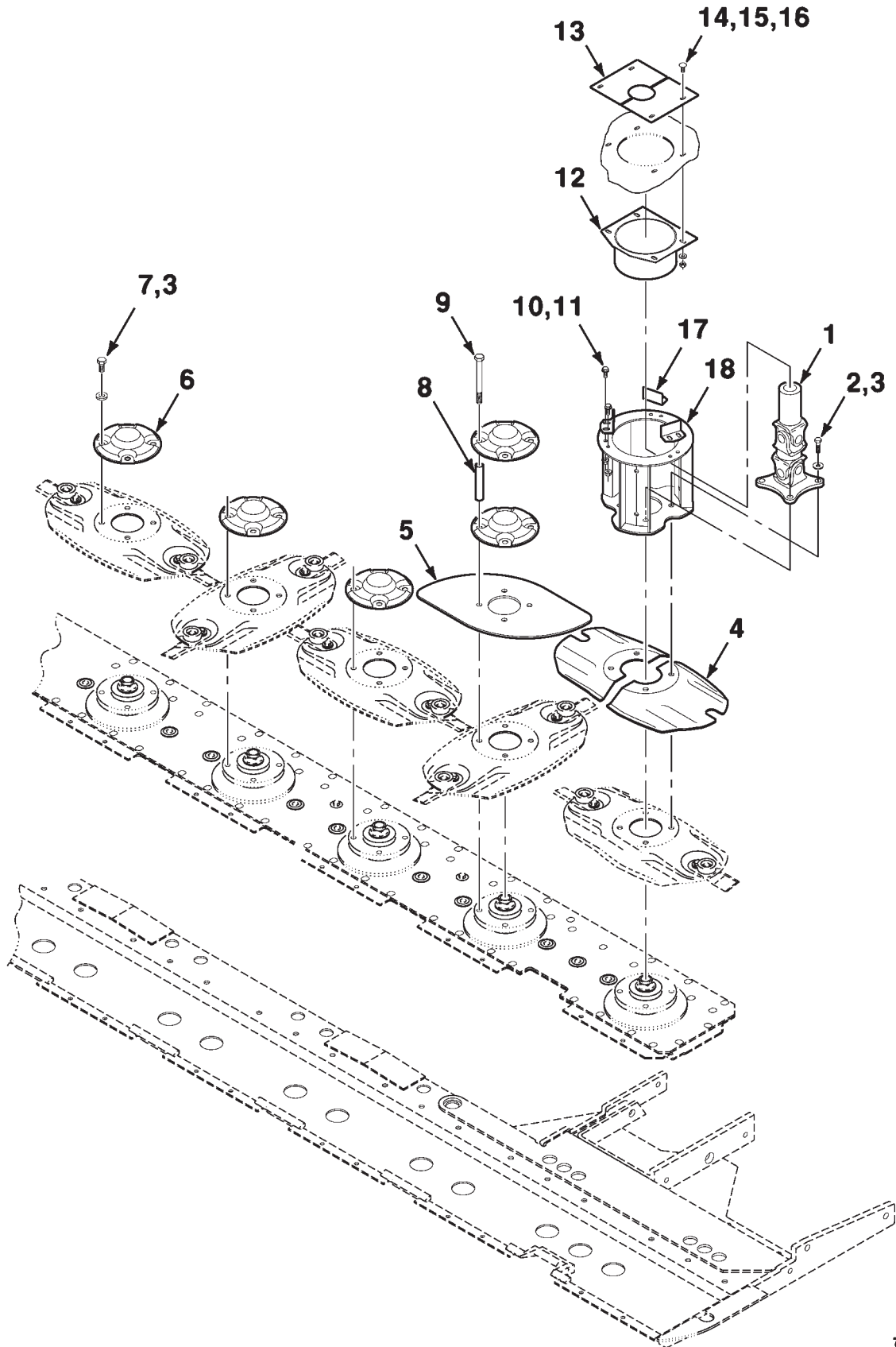
CUTTER DISC MOUNTING-RIGHT (12 FOOT)

ITEM	NUMBER	QTY	DESCRIPTION
1	70927158	12	1/2-20 X 1 CAPSCREW
2	705541	16	1/2 HARDENED PLAIN WASHER
3	700127062C	3	CAP-DISC
4	700149868C	1	SLINGER
5	700156515C	1	CAGE WA
6	7883325	6	5/16-18 X 3/4 SCREW-FLANGE
7	Y704726	6	5/16-18 NUT-LOCK, FLANGE GR/G
8	700156111C	1	SHIELD WA
9	700160896C	2	COVER
10	70931333	4	5/16-18 X 3/4 BOLT-CARRIAGE
11	Y705525	4	5/16 HARDENED PLAIN WASHER
12	Y704015	4	5/16-18 NUT
13	700160897C	3	ANGLE-FIN
14	700721264	1	U-JOINT ASSEMBLY
15	70927522	4	1/2-20 X 1-3/4 CAPSCREW

700161087-3

DKHB ROTARY HEADER
SICKLE

CUTTER DISC MOUNTING-LEFT (15 FOOT)



DKHB ROTARY HEADER
SICKLE

67

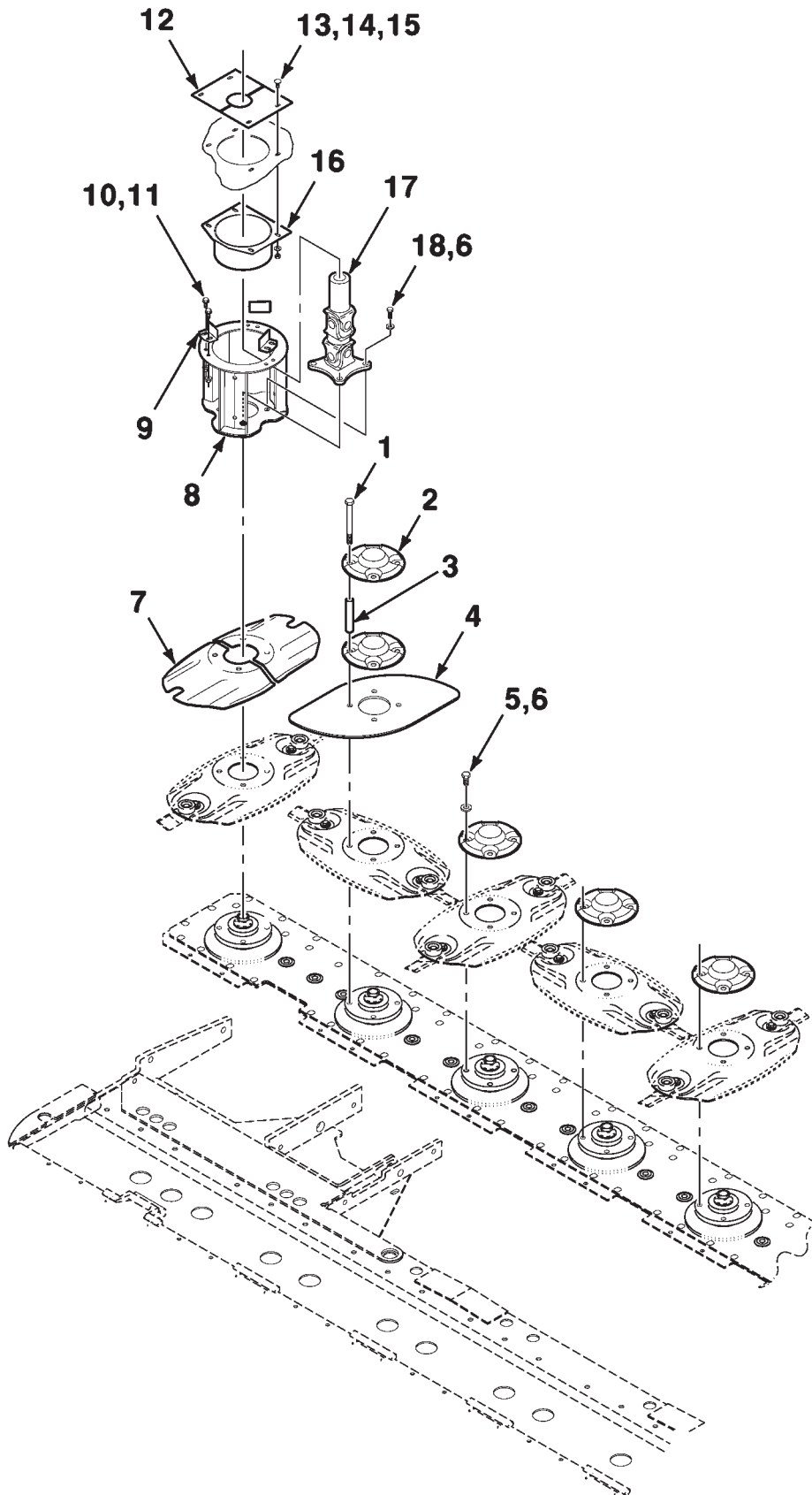
CUTTER DISC MOUNTING-LEFT (15 FOOT)

ITEM	NUMBER	QTY	DESCRIPTION
1	700721264	1	U-JOINT ASSEMBLY
2	70927522	4	1/2-20 X 1-3/4 CAPSCREW
3	705541	16	1/2 HARDENED PLAIN WASHER
4	700717700	2	LIFTER
5	700149868C	1	SLINGER
6	700127062C	5	CAP-DISC
7	70927158	12	1/2-20 X 1 CAPSCREW
8	6559314C	4	SPACER
9	773051	4	1/2-20 X 5 CAPSCREW
10	7883325	6	5/16-18 X 3/4 SCREW-FLANGE
11	Y704726	6	5/16-18 NUT-LOCK, FLANGE GR/G
12	700156111C	1	SHIELD WA
13	700160896C	2	COVER
14	7700578	4	5/16-18 X 1 BOLT-CARRIAGE
15	Y705525	4	5/16 HARDENED PLAIN WASHER
16	Y704015	4	5/16-18 NUT
17	700160897C	3	ANGLE-FIN
18	700156515C	1	CAGE WA

700160900-1

DKHB ROTARY HEADER
SICKLE

CUTTER DISC MOUNTING-RIGHT (15 FOOT)



DKHB ROTARY HEADER
SICKLE

69

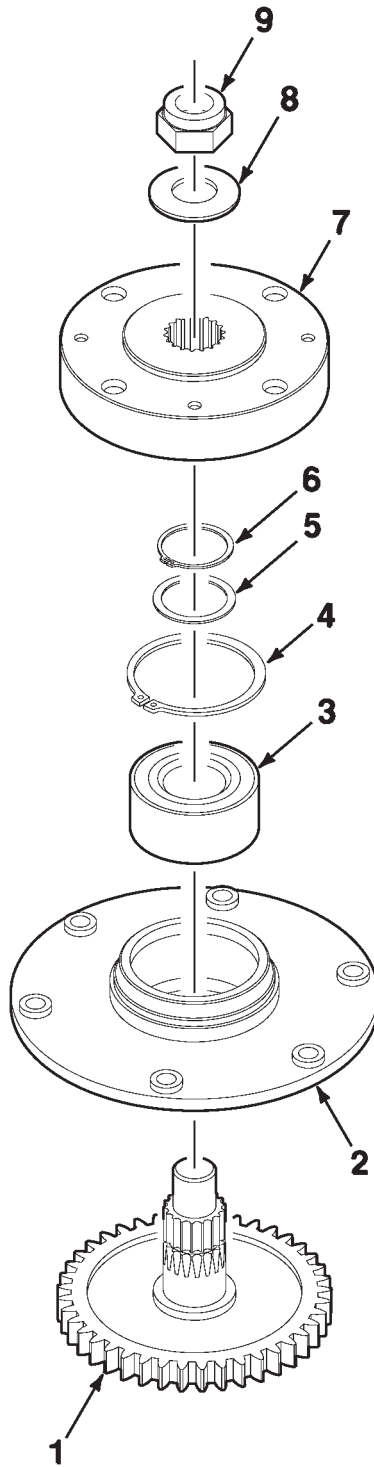
CUTTER DISC MOUNTING-RIGHT (15 FOOT)

ITEM	NUMBER	QTY	DESCRIPTION
1	773051	4	1/2-20 X 5 CAPSCREW
2	700127062C	5	CAP-DISC
3	6559314C	4	SPACER
4	700149868C	1	SLINGER
5	70927158	12	1/2-20 X 1 CAPSCREW
6	705541	16	1/2 HARDENED PLAIN WASHER
7	700717700	2	LIFTER
8	700156515C	1	CAGE WA
9	700160897C	3	ANGLE-FIN
10	7883325	6	5/16-18 X 3/4 SCREW-FLANGE
11	Y704726	6	5/16-18 NUT-LOCK, FLANGE GR/G
12	700160896C	2	COVER
13	7700578	4	5/16-18 X 1 BOLT-CARRIAGE
14	Y705525	4	5/16 HARDENED PLAIN WASHER
15	Y704015	4	5/16-18 NUT
16	700156111C	1	SHIELD WA
17	700721264	1	U-JOINT ASSEMBLY
18	70927522	4	1/2-20 X 1-3/4 CAPSCREW

700160900-2

DKHB ROTARY HEADER
SICKLE

SPINDLE ASSEMBLY (INNER)
(700719597 SPINDLE ASSEMBLY-INNER)



**DKHB ROTARY HEADER
SICKLE**

71

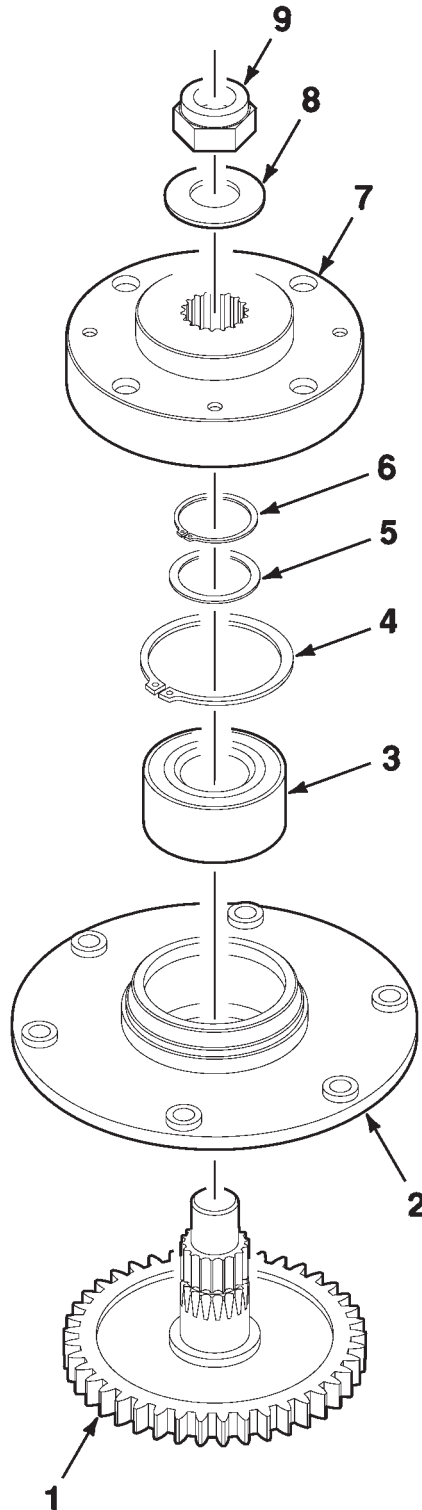
**SPINDLE ASSEMBLY (INNER)
(700719597 SPINDLE ASSEMBLY-INNER)**

ITEM	NUMBER	QTY	DESCRIPTION
-	700719597	1	SPINDLE ASSEMBLY-INNER
1	700713467	1	GEAR-INBOARD
2	700718801	1	MOUNTING
3	700714310	1	BEARING
4	700712375	1	RING-RETAINING
5	700718350	1	SHIM
6	700713471	1	RING-RETAINING
7	700718352	1	FLANGE-INBOARD
8	700712409	1	WASHER-BELLEVILLE
9	700712408	1	LOCKNUT M24 X 3

700719597-0

DKHB ROTARY HEADER
SICKLE

SPINDLE ASSEMBLY (OUTER)
(700719598 SPINDLE ASSEMBLY-OUTER)



**DKHB ROTARY HEADER
SICKLE**

73

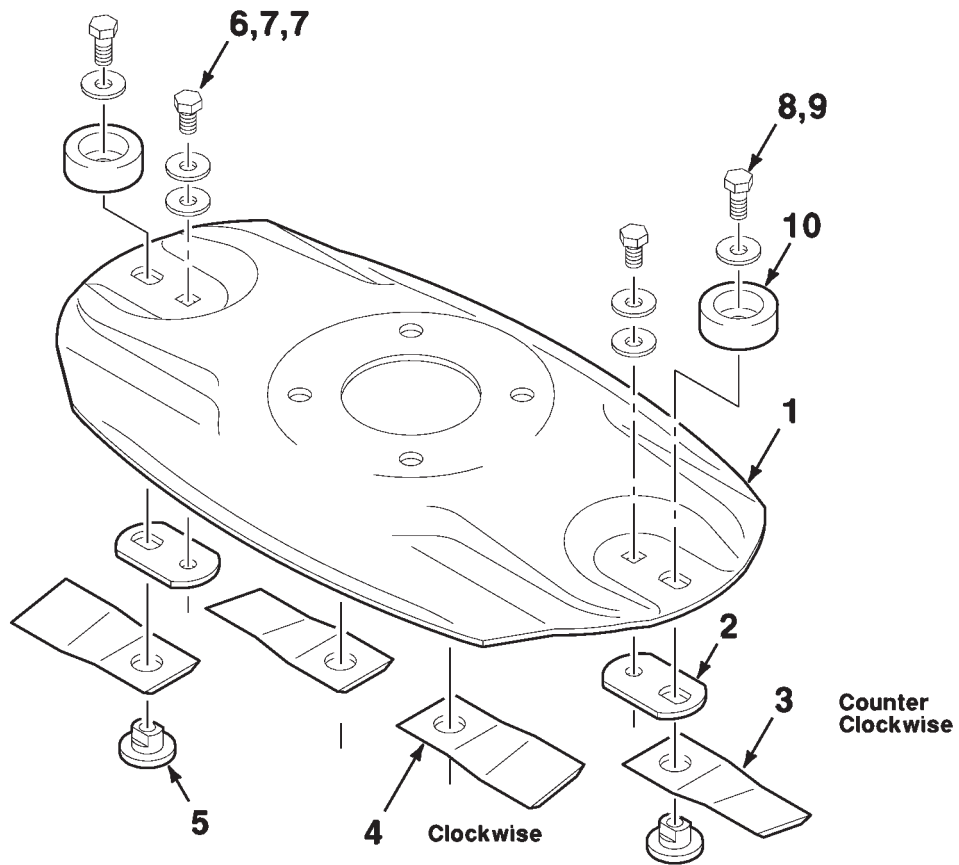
**SPINDLE ASSEMBLY (OUTER)
(700719598 SPINDLE ASSEMBLY-OUTER)**

ITEM	NUMBER	QTY	DESCRIPTION
-	700719598	1	SPINDLE ASSEMBLY-OUTER
1	700713466	1	GEAR-OUTBOARD
2	700718801	1	MOUNTING
3	700714310	1	BEARING
4	700712375	1	RING-RETAINING
5	700718350	1	SHIM
6	700713471	1	RING-RETAINING
7	700718355	1	FLANGE-OUTBOARD
8	700712409	1	WASHER-BELLEVILLE
9	700712408	1	LOCKNUT M24 X 3

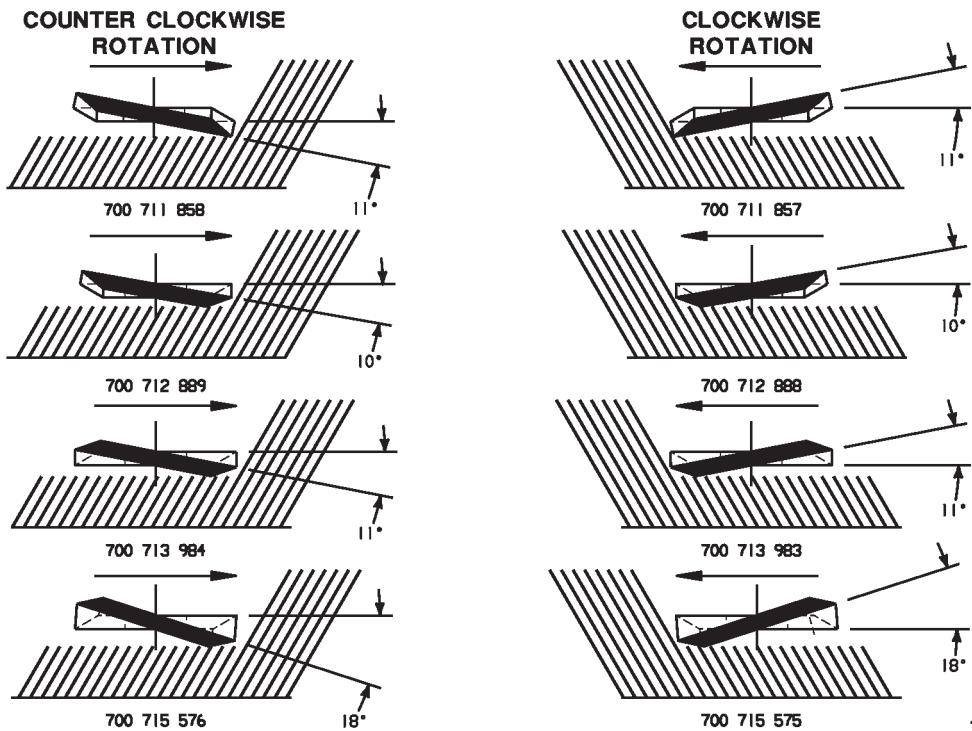
700719598-0

DKHB ROTARY HEADER SICKLE

DISC ASSEMBLY (15 FOOT)



KNIFE OPTIONS



DKHB ROTARY HEADER
SICKLE

75

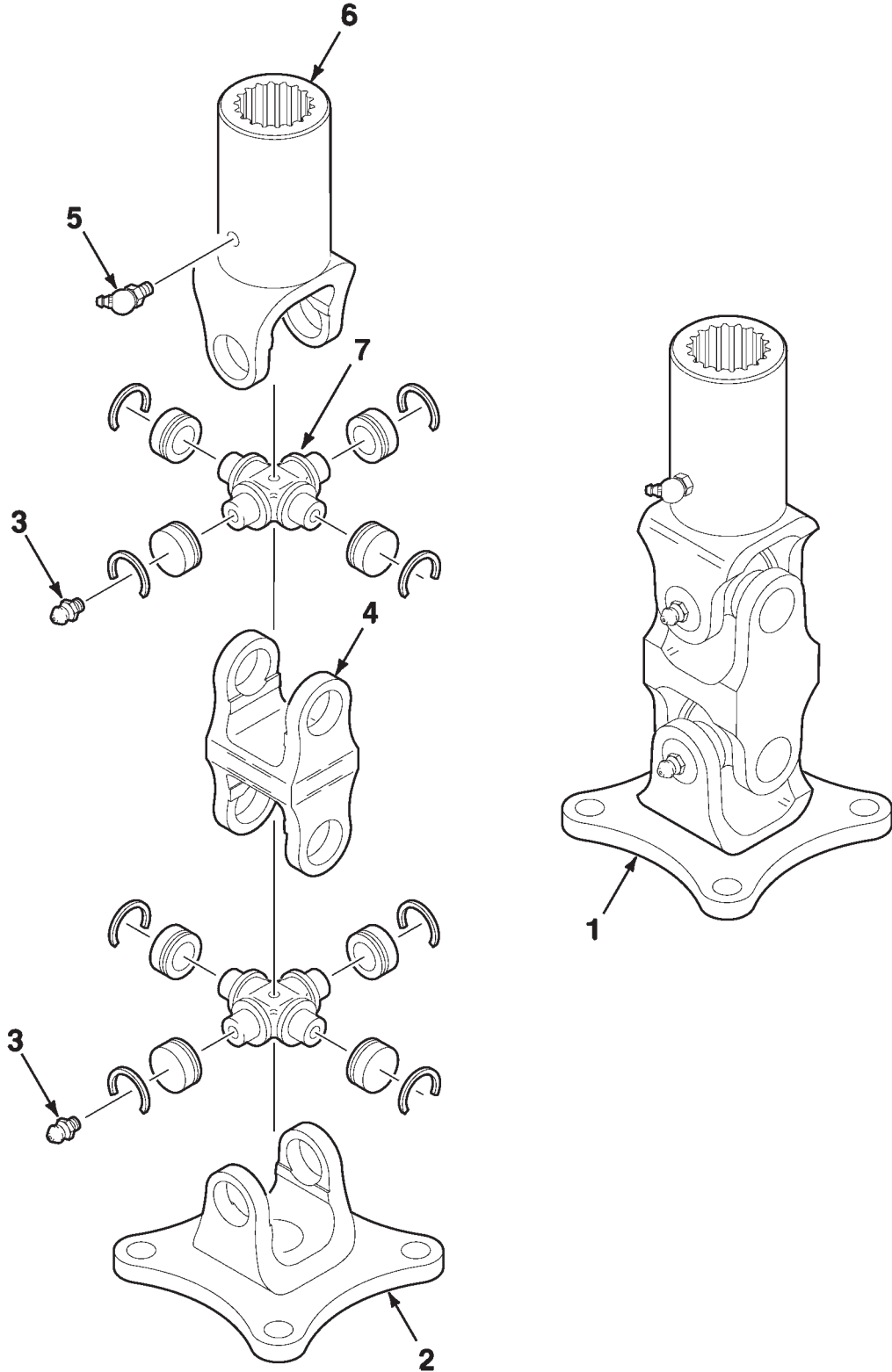
DISC ASSEMBLY (15 FOOT)

ITEM	NUMBER	QTY	DESCRIPTION
1	700725759	1	DISC
2	700127071	2	MOUNTING-KNIFE
3	700713984	2	KNIFE-COUNTER CLOCKWISE
3	700712889	1	KNIFE-COUNTER CLOCKWISE
3	700711858	1	KNIFE-COUNTER CLOCKWISE
3	700715576	1	KNIFE-COUNTER CLOCKWISE
4	700713983	2	KNIFE-CLOCKWISE
4	700712888	1	KNIFE-CLOCKWISE
4	700711857	1	KNIFE-CLOCKWISE
4	700715575	1	KNIFE-CLOCKWISE
5	700127073	2	NUT-KNIFE
6	700711877	2	3/8-16 X 1/2 SCREW GR8 (SPECIAL)
7	Y705533	4	3/8 HARDENED PLAIN WASHER
8	700711964	2	7/16-14 X 1 SCREW GR8 (SPECIAL)
9	Y705558	2	7/16 HARDENED PLAIN WASHER
10	700127072	2	SHIELD-BOLT, KNIFE

700127069-0

DKHB ROTARY HEADER
SICKLE

U-JOINT ASSEMBLY (CUTTER DISC)
(700721264 U-JOINT ASSEMBLY)



**DKHB ROTARY HEADER
SICKLE**

77

**U-JOINT ASSEMBLY (CUTTER DISC)
(700721264 U-JOINT ASSEMBLY)**

ITEM	NUMBER	QTY	DESCRIPTION
1	700721264	1	U-JOINT ASSEMBLY
2	700721604	1	YOKE and FLANGE
3	70914687	2	1/4-28 X 15/32 ZERK
4	757427	1	YOKE-DOUBLE
5	70925731	1	1/4-28 X 45 Degree ZERK
6	700721606	1	YOKE-SPLINED
7	700711843	2	CROSS AND BEARING KIT (Includes Item 3)

700721264-0

CUTTER OIL BOTTLE
(700149964 OIL BOTTLE ASSEMBLY)



CUTTERBED OIL MEASUREMENT

IT IS EXTREMELY IMPORTANT TO CHANGE OIL IN CUTTERBED AFTER FIRST 40 HOURS OF OPERATION. THEREAFTER CHANGE OIL AT THE BEGINNING OF EACH SEASON OR EVERY 100 HOURS OF OPERATION, WHICHEVER COMES FIRST.

THE OIL LEVEL IN THE CUTTERBED MUST BE CORRECT. USE SAE EP 90 WT GEAR OIL. DO NOT OVERFILL THE CUTTERBED. EXCESS OIL WILL CAUSE FAILURE OF THE CUTTERBED DUE TO OVERHEATING. SEE OPERATOR'S MANUAL.

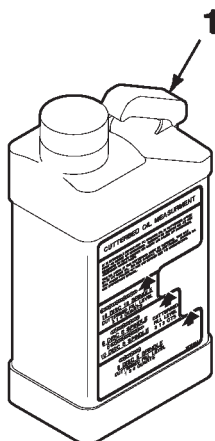
CONTAINERS ARE AVAILABLE FROM YOUR DEALER.
ORDER PART NUMBER 700 149 964.


10 DISC 10 SPINDLE
CUTTERBED FILL LEVEL
3 1/4 QUARTS


8 DISC 8 SPINDLE

10 DISC 8 SPINDLE CUTTERBED
FILL LEVEL
2 1/2 QTS


6 DISC 6 SPINDLE
CUTTERBED FILL LEVEL
1 3/4 QUARTS

700727456 01



**DKHB ROTARY HEADER
SICKLE**

79

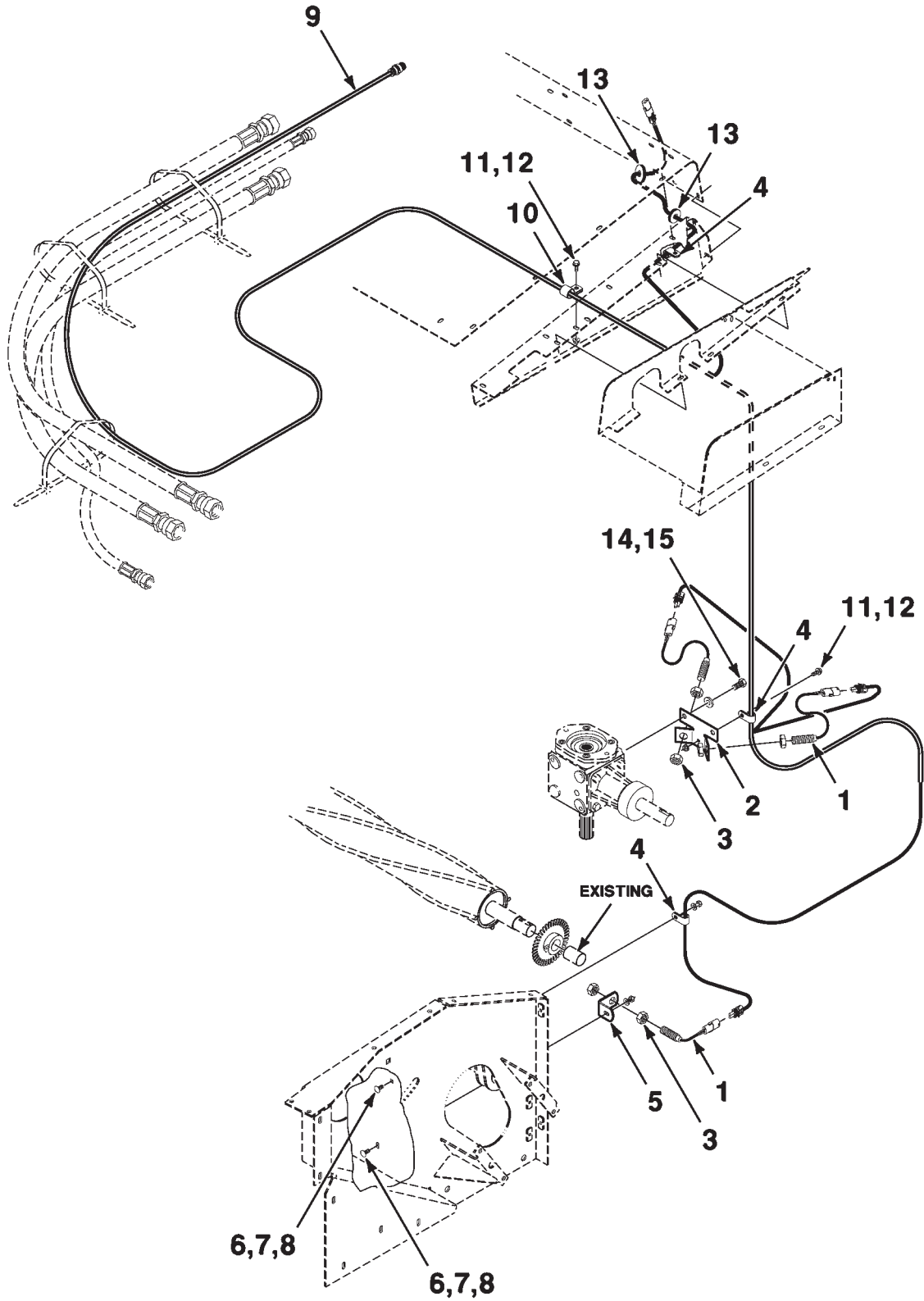
**CUTTER OIL BOTTLE
(700149964 OIL BOTTLE ASSEMBLY)**

ITEM	NUMBER	QTY	DESCRIPTION
1	700149964	1	OIL BOTTLE ASSEMBLY

700149964-0

DKHB ROTARY HEADER
ELECTRICAL

ELECTRICAL HARNESS-SENSOR (12 FOOT)



DKHB ROTARY HEADER
ELECTRICAL

81

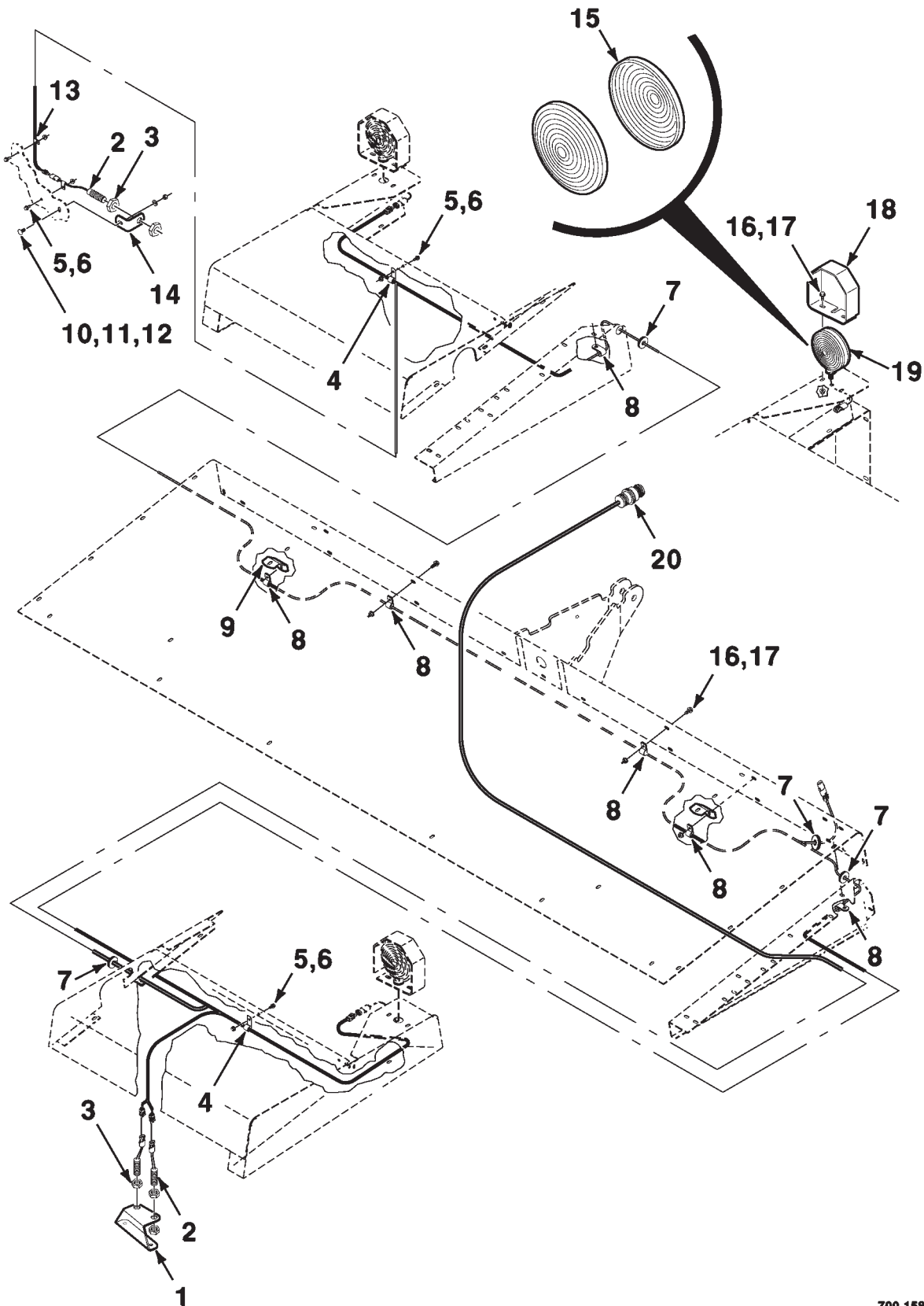
ELECTRICAL HARNESS-SENSOR (12 FOOT)

ITEM	NUMBER	QTY	DESCRIPTION
1	700706398	3	INDUCTIVE SENSOR
2	700161094P	1	SUPPORT-SENSOR
3	353436X1	6	3/4-16 NUT-HALF GR2
4	70925617	3	CLAMP
5	700149892P	1	ANGLE-SENSOR
6	70931333	2	5/16-18 X 3/4 BOLT-CARRIAGE
7	Y705525	2	5/16 HARDENED PLAIN WASHER
8	Y704015	2	5/16-18 NUT
9	700721539	1	HARNESS-WIRE
10	70929160	1	CLAMP
11	7883325	2	5/16-18 X 3/4 SCREW-FLANGE
12	70931277	2	5/16-18 NUT-LOCK, FLANGE
13	7827413	2	GROMMET
14	70923114	2	1/2-13 X 1 CAPSCREW
15	705541	2	1/2 HARDENED PLAIN WASHER

700161085-2

DKHB ROTARY HEADER
ELECTRICAL

ELECTRICAL HARNESS AND FLASHER (15 FOOT)



DKHB ROTARY HEADER

83

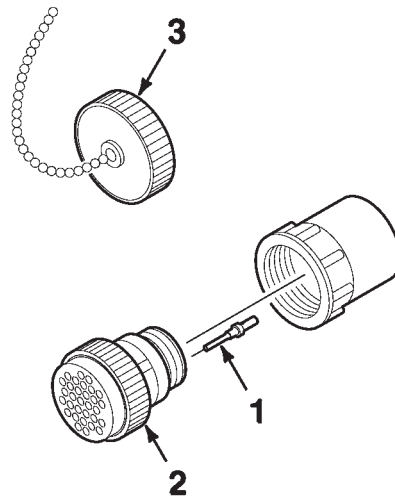
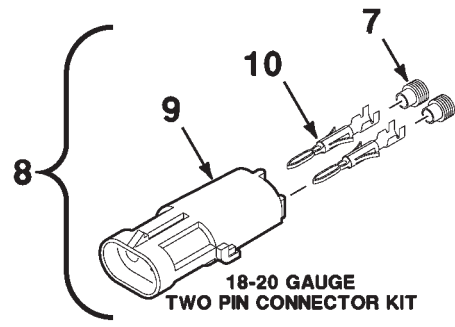
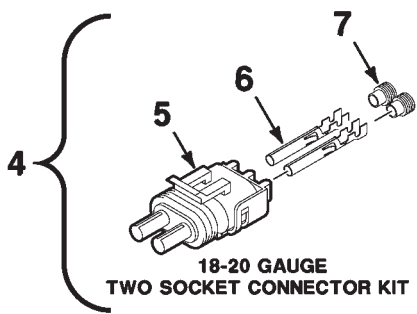
ELECTRICAL

ELECTRICAL HARNESS AND FLASHER (15 FOOT)

ITEM	NUMBER	QTY	DESCRIPTION
1	700158628C	1	SUPPORT-SENSOR
2	700706398	3	INDUCTIVE SENSOR
3	353436X1	6	3/4-16 NUT-HALF GR2
4	70925246	4	CLAMP-J TYPE
5	7883267	6	1/4-20 X 1/2 SCREW-FLANGE
6	70931209	6	1/4-20 NUT-LOCK, FLANGE
7	7827413	4	GROMMET
8	70925617	6	CLAMP
9	700149935	2	SUPPORT-SHIELD
10	70931333	1	5/16-18 X 3/4 BOLT-CARRIAGE
11	Y705525	1	5/16 HARDENED PLAIN WASHER
12	Y704015	1	5/16-18 NUT
13	755785	2	CLAMP
14	700149892P	1	ANGLE-SENSOR
15	71193862	4	LENS
16	7883325	6	5/16-18 X 3/4 SCREW-FLANGE
17	70931277	6	5/16-18 NUT-LOCK, FLANGE
18	700154276B	2	GUARD-FLASHER
19	700726065	2	FLASHER ASSEMBLY
20	700726522	1	HARNESS-WIRE

700158615-2

ELECTRICAL HARNESS SERVICE PARTS



**DKHB ROTARY HEADER
ELECTRICAL**

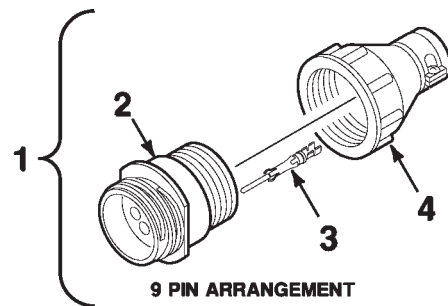
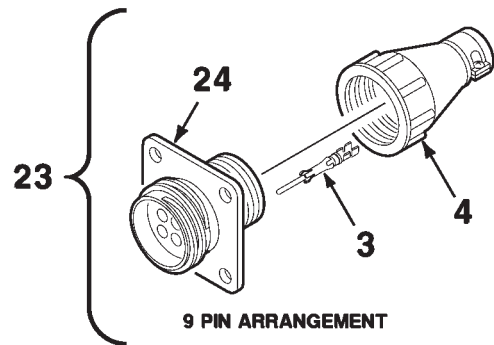
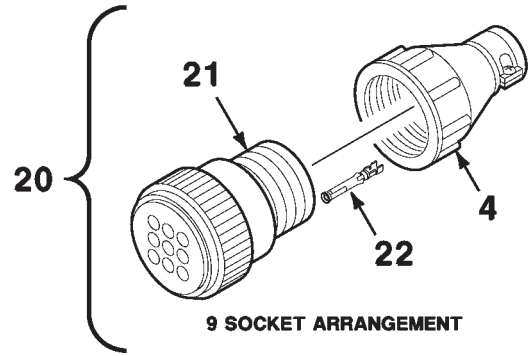
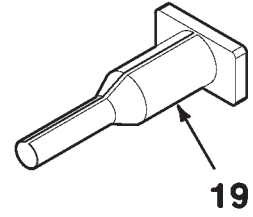
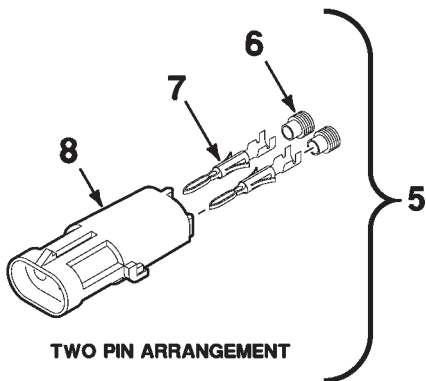
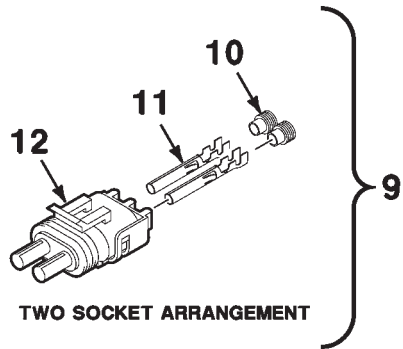
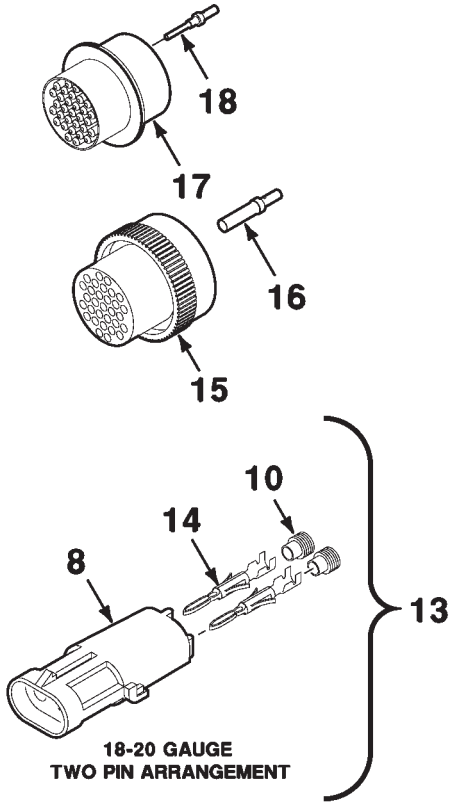
85

ELECTRICAL HARNESS SERVICE PARTS

ITEM	NUMBER	QTY	DESCRIPTION
1	700719869	AR	PIN-CONTACT-DEUTSCH
2	71399368	AR	PLUG-STANDARD SEX
3	700716839	AR	CAP-SEALING
4	700706999	AR	KIT-HARNESS REPAIR, 2 SOCKET, FEMALE, 18-20 GAUGE (Includes Items 5, 6 and 7)
5	700708761	AR	CONNECTOR-TOWER, 2 SOCKET, FEMALE
6	700708760	AR	SOCKET-FEMALE (18-20 GAUGE)
7	700706400	AR	SEAL (18-20 GAUGE)
8	700708753	AR	KIT-HARNESS REPAIR, 2 PIN, MALE (Includes Items 9, 10 and 7)
9	700706399	AR	CONNECTOR-SHROUD, 2 PIN, MALE
10	700706401	AR	PIN-MALE (18-20 GAUGE)

700161085-6

ELECTRICAL HARNESS SERVICE PARTS



**DKHB ROTARY HEADER
ELECTRICAL**

87

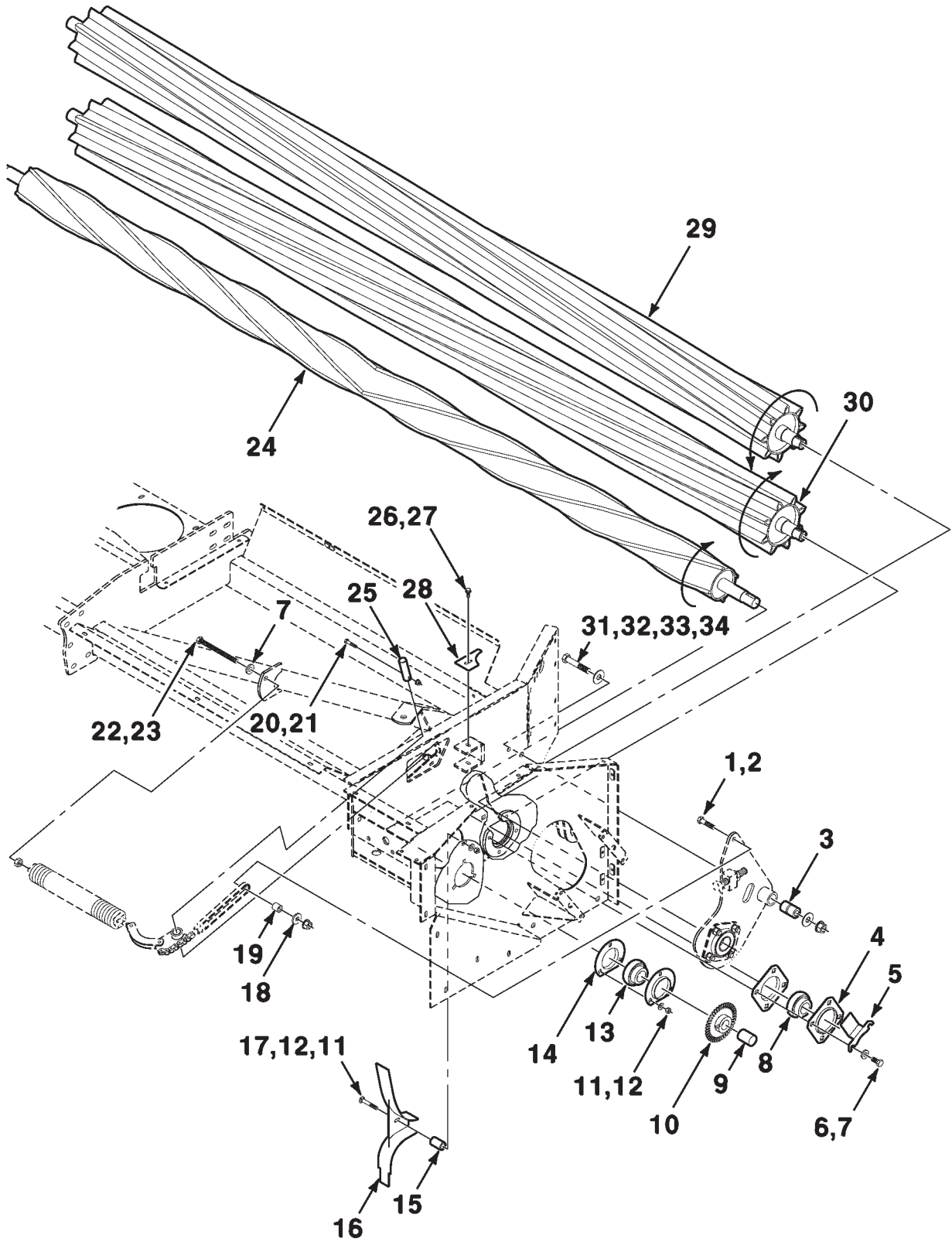
ELECTRICAL HARNESS SERVICE PARTS

ITEM	NUMBER	QTY	DESCRIPTION
1	700718618	1	KIT-HARNESS REPAIR, MALE (9 PIN) (Includes Items 2, 3 and 4)
2	72514685	AR	RECEPTACLE-PIN, MALE (9 PIN ARRANGEMENT)
3	700708757	AR	PIN-TYPE 3, MALE (16-18 GAUGE)
4	700709708	AR	CLAMP-CABLE, SHELL SIZE 13
5	700718588	1	KIT-HARNESS REPAIR, 2-PIN, MALE (Includes Items 6, 7 and 8)
6	700712467	AR	SEAL
7	700718530	AR	TERMINAL-MALE
8	700706399	AR	CONNECTOR-SHROUD, 2 PIN, MALE
9	700706999	1	KIT-HARNESS REPAIR (Includes Items 10, 11 and 12)
10	700706400	AR	SEAL
11	700708760	AR	TERMINAL SLEEVE
12	700708761	AR	CONNECTOR-FEMALE, 2-WIRE
13	700708753	1	KIT-HARNESS REPAIR, 2 PIN, MALE (Includes Items 8, 10 and 14)
14	700706401	AR	PIN-MALE (18-20 GAUGE)
15	71399368	AR	CONNECTOR-PLUG, 31 PIN
16	700719870	AR	CONTACT-SOCKET, FEMALE (16-18)
17	71399371	AR	CONNECTOR-RECEPTACLE
18	700719869	AR	PIN-CONTACT-DEUTSCH
19	71390809	1	TOOL-CONNECTOR REPAIR (DEUTSCH)
20	700718683	1	KIT-HARNESS REPAIR, FEMALE (9 SOCKET) (Includes Items 4, 21 and 22)
21	700709704	AR	CONNECTOR-PLUG, FEMALE (9 Socket Arrangement)
22	700708758	AR	SOCKET-TYPE 3, FEMALE (16-18 GAUGE)
23	700718612	1	KIT-HARNESS REPAIR, MALE (9 PIN) (Includes Items 3, 4 and 24)
24	700707758	AR	RECEPTACLE-SQUARE FLANGE, MALE

700718087-0

DKHB ROTARY HEADER
HAY CONDITIONER

HAY CONDITIONER MOUNTING-LEFT (12 FOOT)



DKHB ROTARY HEADER

HAY CONDITIONER

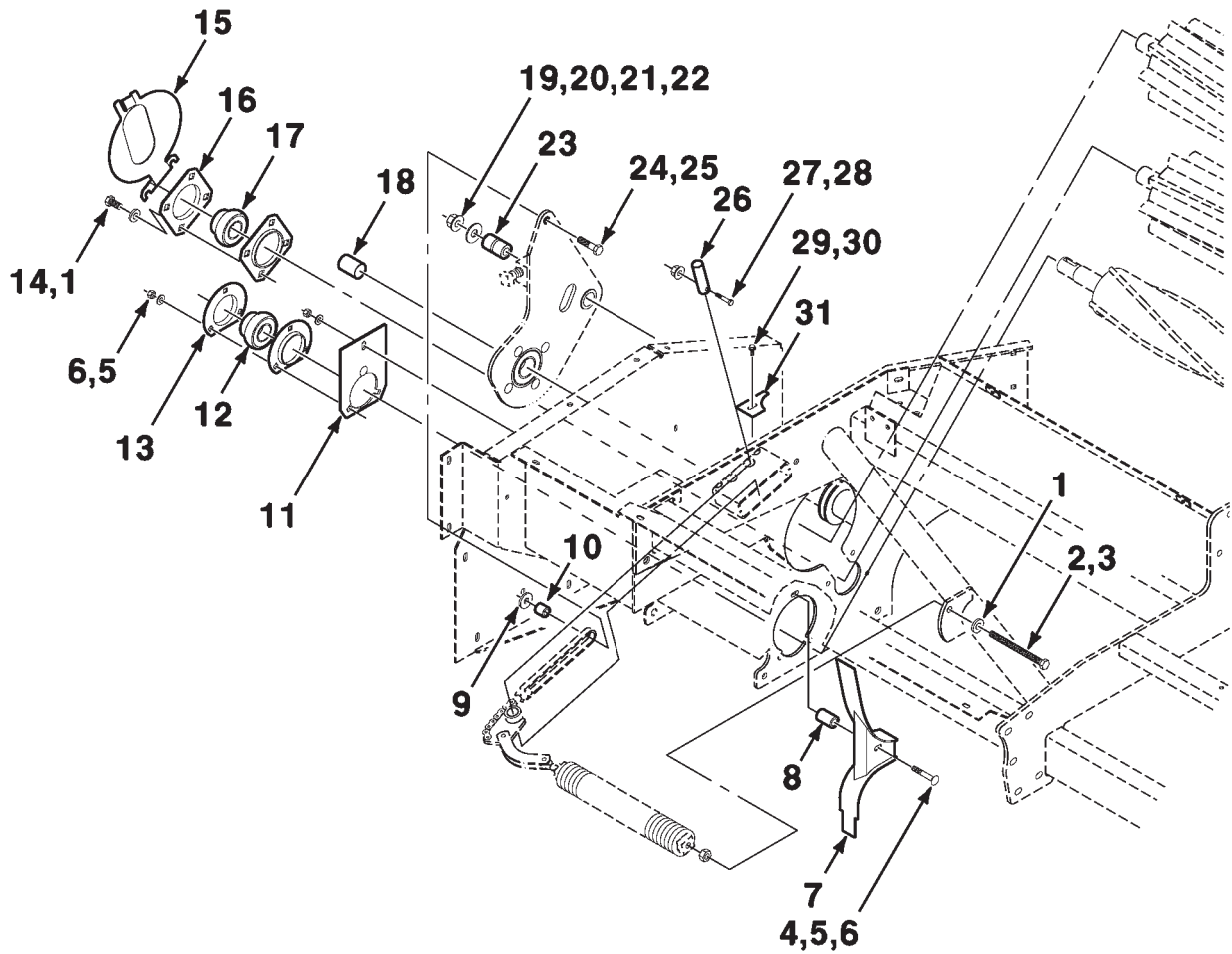
HAY CONDITIONER MOUNTING-LEFT (12 FOOT)

ITEM	NUMBER	QTY	DESCRIPTION
1	70921024	1	1/2-13 X 2 CAPSCREW
2	Y704742	1	1/2-13 NUT-LOCK, FLANGE GR/G
3	6834394C	1	BUSHING
4	700711918	2	FLANGE
5	700149942P	1	FILLER
6	70923114	4	1/2-13 X 1 CAPSCREW
7	705541	5	1/2 HARDENED PLAIN WASHER
8	71122510	1	BEARING-SPHERICAL
9	700713521	1	COVER
10	700161568C	1	DISC WA-SENSOR
11	70916950	4	3/8-16 NUT
12	Y705533	4	3/8 HARDENED PLAIN WASHER
13	71309128	1	BEARING SPHERICAL
14	163733	2	FLANGETTE-BEARING
15	700133541	1	SPACER
16	700152383C	1	PROTECTOR WA-LEFT, ROLL
17	7700016	1	3/8-16 X 2-1/2 BOLT-CARRIAGE
18	385625	1	WASHER
19	700108790B	1	SPACER
20	70921221	1	5/16-18 X 1-1/2 CAPSCREW
21	Y704726	1	5/16-18 NUT-LOCK, FLANGE GR/G
22	873513	1	1/2-13 X 6 CAPSCREW-FULL THREAD
23	704031	1	1/2-13 NUT
24	700149941C	1	ROLL WA-HELPER
25	700118107C	1	PIN
26	7883325	1	5/16-18 X 3/4 SCREW-FLANGE
27	70931277	1	5/16-18 NUT-LOCK, FLANGE
28	700127123C	1	GAUGE
29	700121385B	1	ROLL WA-H/C, UPPER
30	700115122C	1	ROLL WA-H/C
31	70924136	1	5/8-11 X 3-3/4 CAPSCREW GR8 NON PLATED
32	Y705582	1	5/8 HARDENED PLAIN WASHER
33	700711165	1	5/8 HARDENED WIDE PLAIN WASHER
34	700703922	1	5/8-11 NUT-LOCK, FLANGE GR/G

700152392-1

**DKHB ROTARY HEADER
HAY CONDITIONER**

HAY CONDITIONER MOUNTING-RIGHT (12 FOOT)



DKHB ROTARY HEADER

91

HAY CONDITIONER

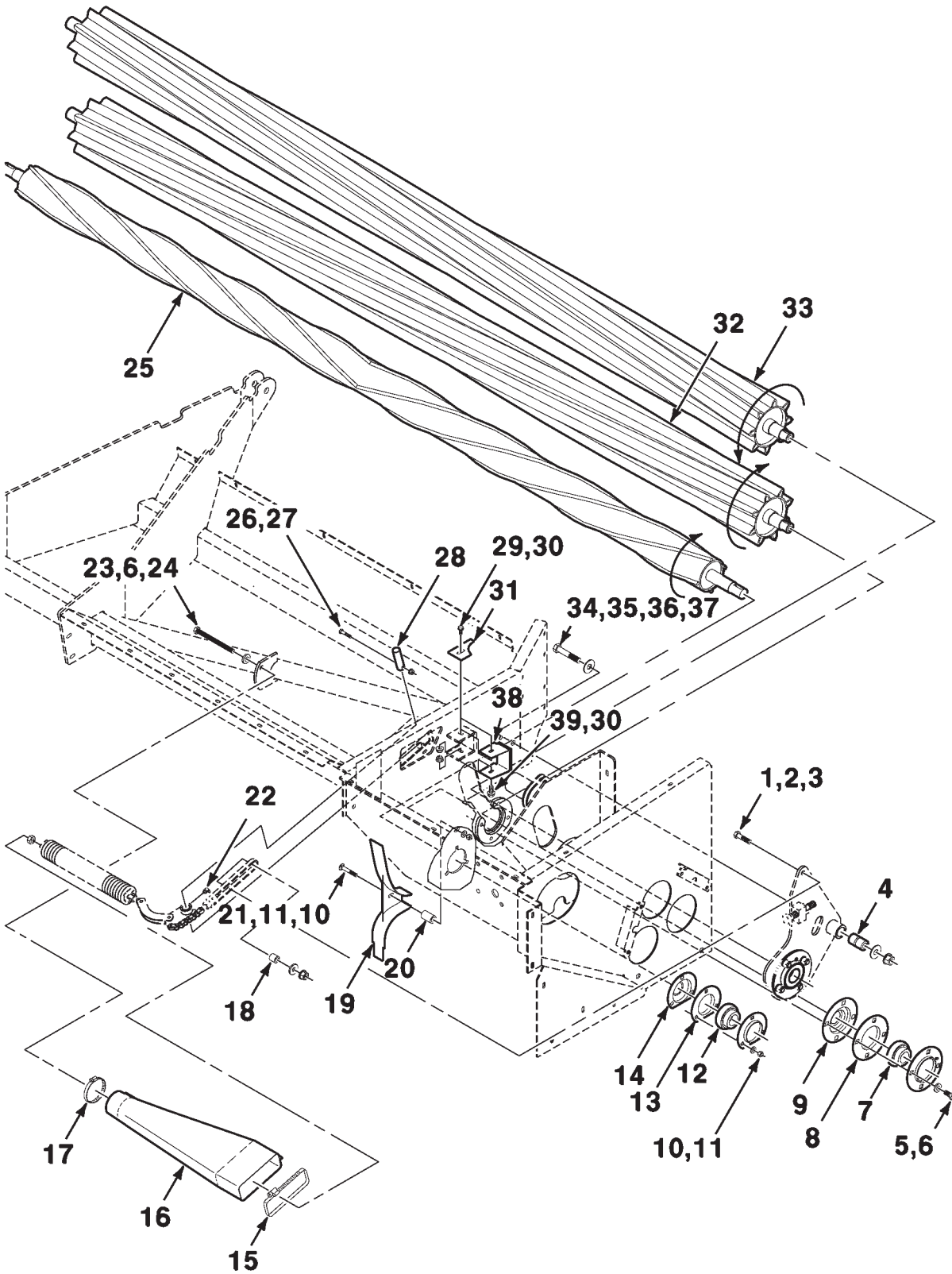
HAY CONDITIONER MOUNTING-RIGHT (12 FOOT)

ITEM	NUMBER	QTY	DESCRIPTION
1	705541	5	1/2 HARDENED PLAIN WASHER
2	873513	1	1/2-13 X 6 CAPSCREW-FULL THREAD
3	704031	1	1/2-13 NUT
4	7700016	1	3/8-16 X 2-1/2 BOLT-CARRIAGE
5	Y705533	4	3/8 HARDENED PLAIN WASHER
6	70916950	4	3/8-16 NUT
7	700152386C	1	PROTECTOR WA-RIGHT, ROLL
8	700133541	1	SPACER
9	385625	1	WASHER
10	700108790B	1	SPACER
11	700149946C	1	PLATE WA-BEARING
12	71309128	1	BEARING SPHERICAL
13	163733	2	FLANGETTE-BEARING
14	70923114	4	1/2-13 X 1 CAPSCREW
15	700153955C	1	FILLER-RIGHT
16	700711918	2	FLANGE
17	71122510	1	BEARING-SPHERICAL
18	700713521	1	COVER
19	70924136	1	5/8-11 X 3-3/4 CAPSCREW GR8 NON PLATED
20	Y705582	1	5/8 HARDENED PLAIN WASHER
21	700711165	1	5/8 HARDENED WIDE PLAIN WASHER
22	700703922	1	5/8-11 NUT-LOCK, FLANGE GR/G
23	6834394C	1	BUSHING
24	70921024	1	1/2-13 X 2 CAPSCREW
25	Y704742	1	1/2-13 NUT-LOCK, FLANGE GR/G
26	700118107C	1	PIN
27	70921221	1	5/16-18 X 1-1/2 CAPSCREW
28	Y704726	1	5/16-18 NUT-LOCK, FLANGE GR/G
29	7883325	1	5/16-18 X 3/4 SCREW-FLANGE
30	70931277	1	5/16-18 NUT-LOCK, FLANGE
31	700127123C	1	GAUGE

700152392-2

DKHB ROTARY HEADER
HAY CONDITIONER

HAY CONDITIONER MOUNTING-LEFT (15 FOOT)



DKHB ROTARY HEADER

93

HAY CONDITIONER

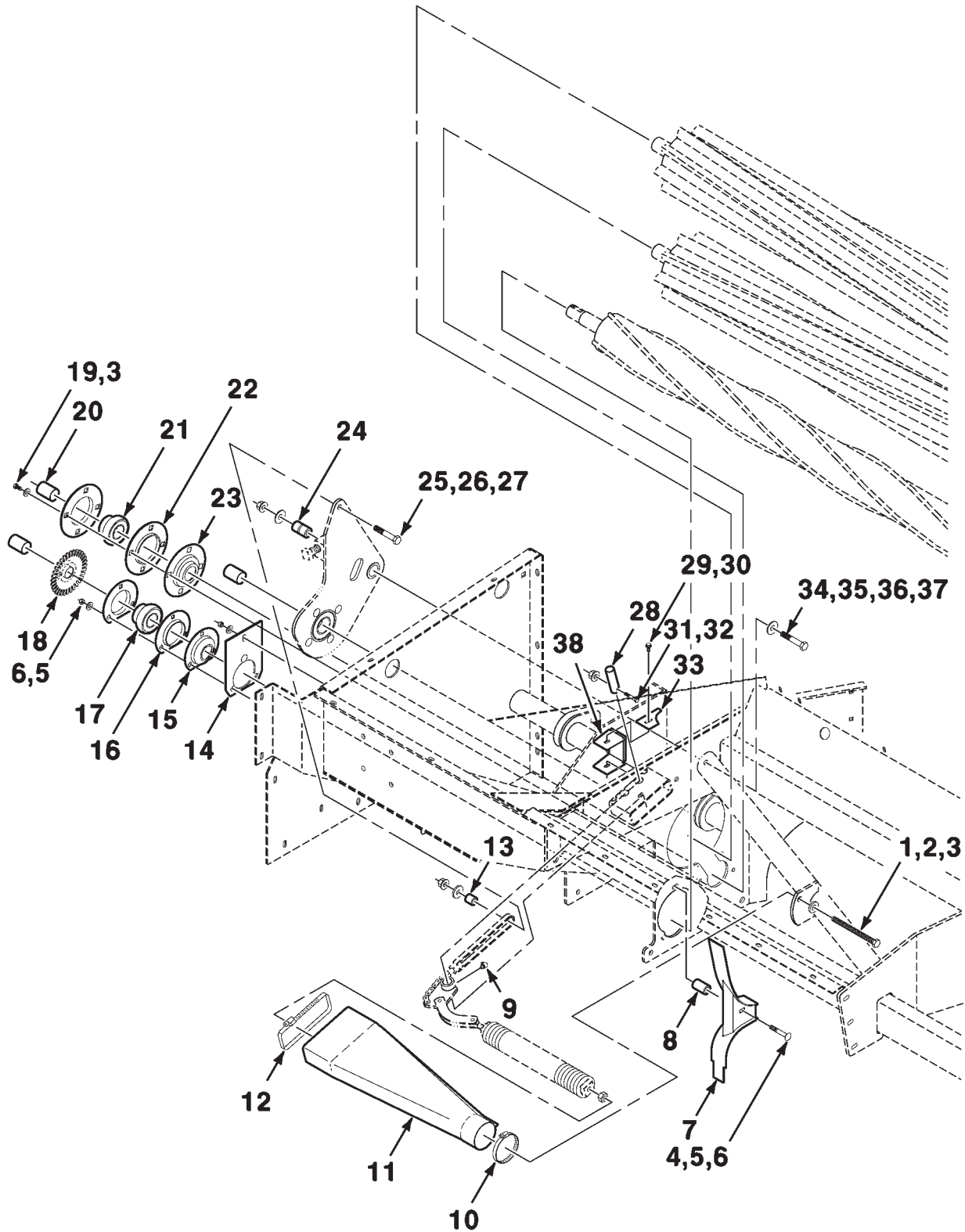
HAY CONDITIONER MOUNTING-LEFT (15 FOOT)

ITEM	NUMBER	QTY	DESCRIPTION
1	70921024	1	1/2-13 X 2 CAPSCREW
2	385625	1	WASHER
3	Y704742	1	1/2-13 NUT-LOCK, FLANGE GR/G
4	6834394C	1	BUSHING
5	70923114	4	1/2-13 X 1 CAPSCREW
6	705541	5	1/2 HARDENED PLAIN WASHER
7	700721328	1	BEARING-SPHERICAL,SPECIAL
8	700721326	2	FLANGE
9	700721327	1	SHIELD-BEARING, 90 MM
10	70916950	4	3/8-16 NUT
11	Y705533	4	3/8 HARDENED PLAIN WASHER
12	71309128	1	BEARING SPHERICAL
13	163733	2	FLANGETTE-BEARING
14	700720588	1	SHIELD-BEARING, 72 MM
15	7720048	1	CLAMP-HOSE
16	700717784	1	COVER-H/C SPRING
17	720870	1	CLAMP
18	700108790B	1	SPACER
19	700152383C	1	PROTECTOR-LEFT, ROLL
20	700133541	1	SPACER-PLATED
21	7700016	1	3/8-16 X 2-1/2 BOLT-CARRIAGE
22	77057	1	1/4 X 90 Degree ZERK
23	873513	1	1/2-13 X 6 CAPSCREW-FULL THREAD
24	704031	1	1/2-13 NUT
25	700149941C	1	ROLL WA-HELPER
26	70921221	1	5/16-18 X 1-1/2 CAPSCREW
27	Y704726	1	5/16-18 NUT-LOCK, FLANGE GR/G
28	700118107C	1	PIN
29	7883333	1	5/16-18 X 1 SCREW-FLANGE
30	70931277	2	5/16-18 NUT-LOCK, FLANGE
31	700127123C	1	GAUGE
32	700115122C	1	ROLL WA-H/C
33	700121385B	1	ROLL WA-H/C, UPPER
34	70924136	1	5/8-11 X 3-3/4 CAPSCREW GR8, NON PLATED
35	Y705582	1	5/8 HARDENED PLAIN WASHER
36	700711165	1	5/8 HARDENED WIDE PLAIN WASHER
37	700703922	1	5/8-11 NUT-LOCK, FLANGE GR/G
38	700163621	1	STOP WA
39	7883325	1	SCREW-FLANGE, 5/16-18 X 3/4

700160902-1

DKHB ROTARY HEADER
HAY CONDITIONER

HAY CONDITIONER MOUNTING-RIGHT (15 FOOT)



DKHB ROTARY HEADER

HAY CONDITIONER

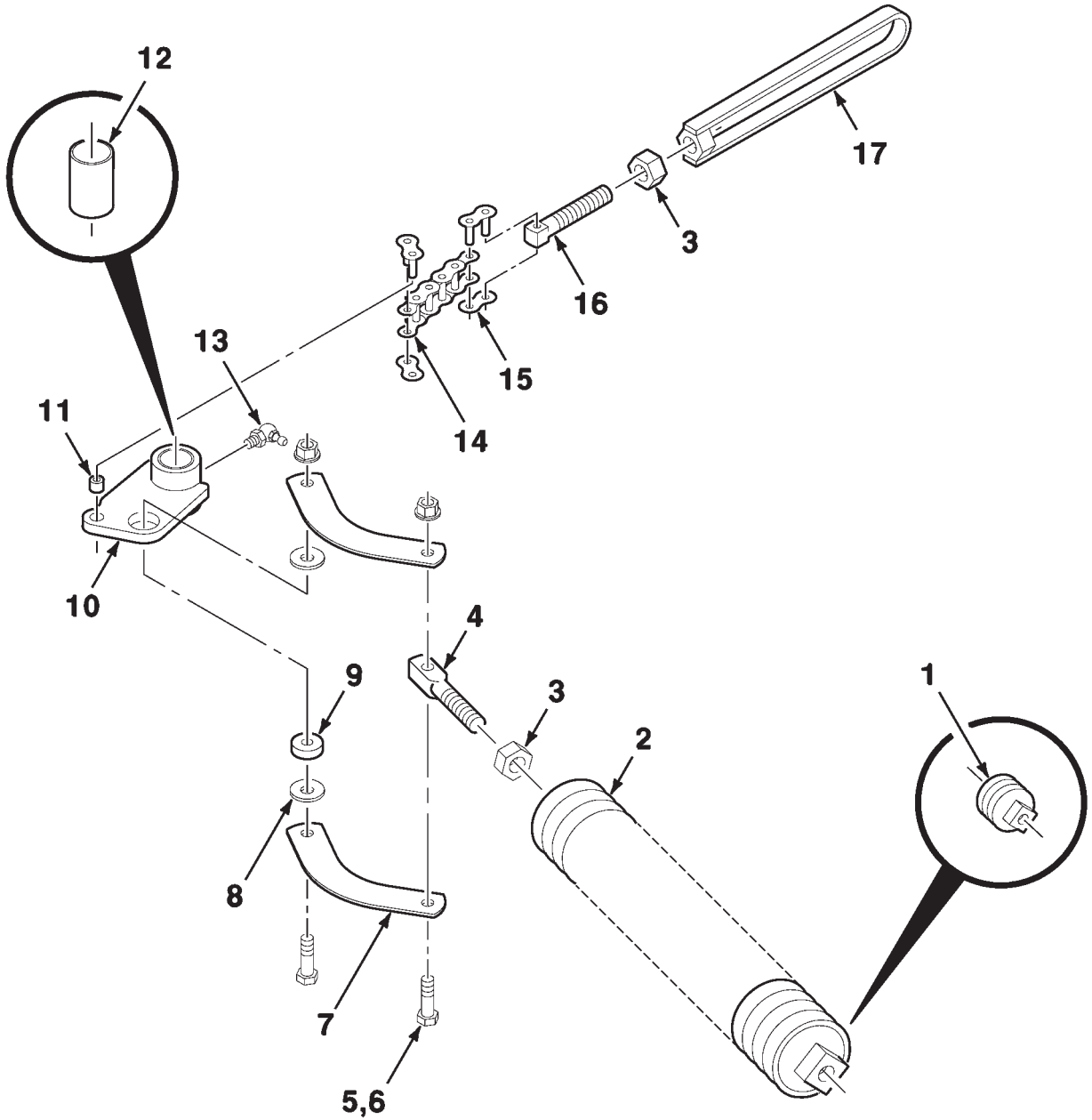
HAY CONDITIONER MOUNTING-RIGHT (15 FOOT)

ITEM	NUMBER	QTY	DESCRIPTION
1	873513	1	1/2-13 X 6 CAPSCREW-FULL THREAD
2	704031	1	1/2-13 NUT
3	705541	5	1/2 HARDENED PLAIN WASHER
4	7700016	1	3/8-16 X 2-1/2 BOLT-CARRIAGE
5	Y705533	4	3/8 HARDENED PLAIN WASHER
6	70916950	4	3/8-16 NUT
7	700152386C	1	PROTECTOR-RIGHT, ROLL
8	700133541	1	SPACER-PLATED
9	77057	1	1/4 X 90 Degree ZERK
10	720870	1	CLAMP
11	700717784	1	COVER-H/C SPRING
12	7720048	1	CLAMP-HOSE
13	700108790B	1	SPACER
14	700149946C	1	PLATE WA-BEARING
15	700720588	1	SHIELD-BEARING, 72 MM
16	163733	2	FLANGETTE-BEARING
17	71309128	1	BEARING SPHERICAL
18	700160893C	1	DISC WA-SENSOR
19	70923114	4	1/2-13 X 1 CAPSCREW
20	700713521	3	COVER
21	700721328	1	BEARING-SPHERICAL, SPECIAL
22	713958	2	FLANGE
23	700721327	1	SHIELD-BEARING, 90 MM
24	6834394C	1	BUSHING
25	70921024	1	1/2-13 X 2 CAPSCREW
26	385625	1	WASHER
27	Y704742	1	1/2-13 NUT-LOCK, FLANGE GR/G
28	700118107C	1	PIN
29	7883333	1	5/16-18 X 1 SCREW-FLANGE
30	70931277	1	5/16-18 NUT-LOCK, FLANGE
31	70921221	1	5/16-18 X 1-1/2 CAPSCREW
32	Y704726	1	5/16-18 NUT-LOCK, FLANGE GR/G
33	700127123C	1	GAUGE
34	70924136	1	5/8-11 X 3-3/4 CAPSCREW GR8, NON PLATED
35	Y705582	1	5/8 HARDENED PLAIN WASHER
36	700711165	1	5/8 HARDENED WIDE PLAIN WASHER
37	700703922	1	5/8-11 NUT-LOCK, FLANGE GR/G
38	700163621	1	STOP WA

700160902-2

DKHB ROTARY HEADER
HAY CONDITIONER

HAY CONDITIONER CAM



RIGHT CAM ASSEMBLY SHOWN, LEFT SIDE OPPOSITE

**DKHB ROTARY HEADER
HAY CONDITIONER**

97

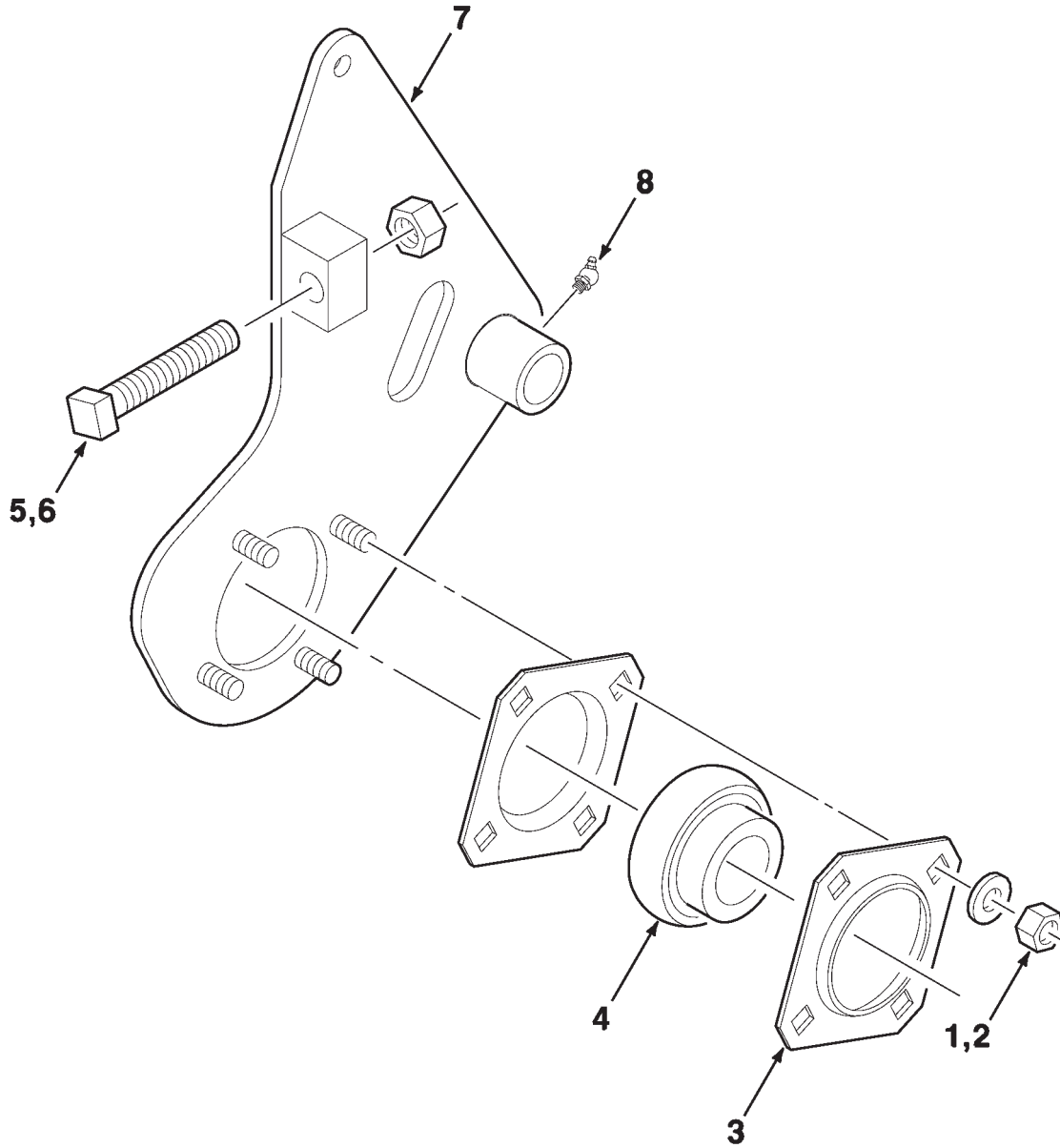
HAY CONDITIONER CAM

ITEM	NUMBER	QTY	DESCRIPTION
1	6146542	2	NUT-SPRING
2	6171060B	1	SPRING ASSEMBLY (Includes Item 1)
3	704031	2	1/2-13 NUT
4	700119868C	1	STUD
5	70921333	2	5/16-18 X 1 CAPSCREW
6	Y704726	2	5/16-18 NUT-LOCK, FLANGE GR/G
7	700119865C	2	LINK
8	Y705525	2	5/16 HARDENED PLAIN WASHER
9	700706189	1	BEARING
10	700127417C	1	CAM WA (Includes Item 12)
11	700118104C	1	SPACER
12	740803	1	BEARING-SLEEVE
13	77057	1	ZERK 1/4-28 X 90 Degree
14	700708480	1	CHAIN-ROLLER, No. 50 (5 Pitches)
14	70921049	1	CHAIN-ROLLER, No. 50 (10 FOOT BULK)
15	Y47530	2	LINK-CONNECTOR, No. 50
16	700726192	1	DRAWBOLT
17	700149980C	1	HANGER WA

700149981-0

DKHB ROTARY HEADER
HAY CONDITIONER

PIVOT ASSEMBLY-LEFT (12 FOOT)



**DKHB ROTARY HEADER
HAY CONDITIONER**

99

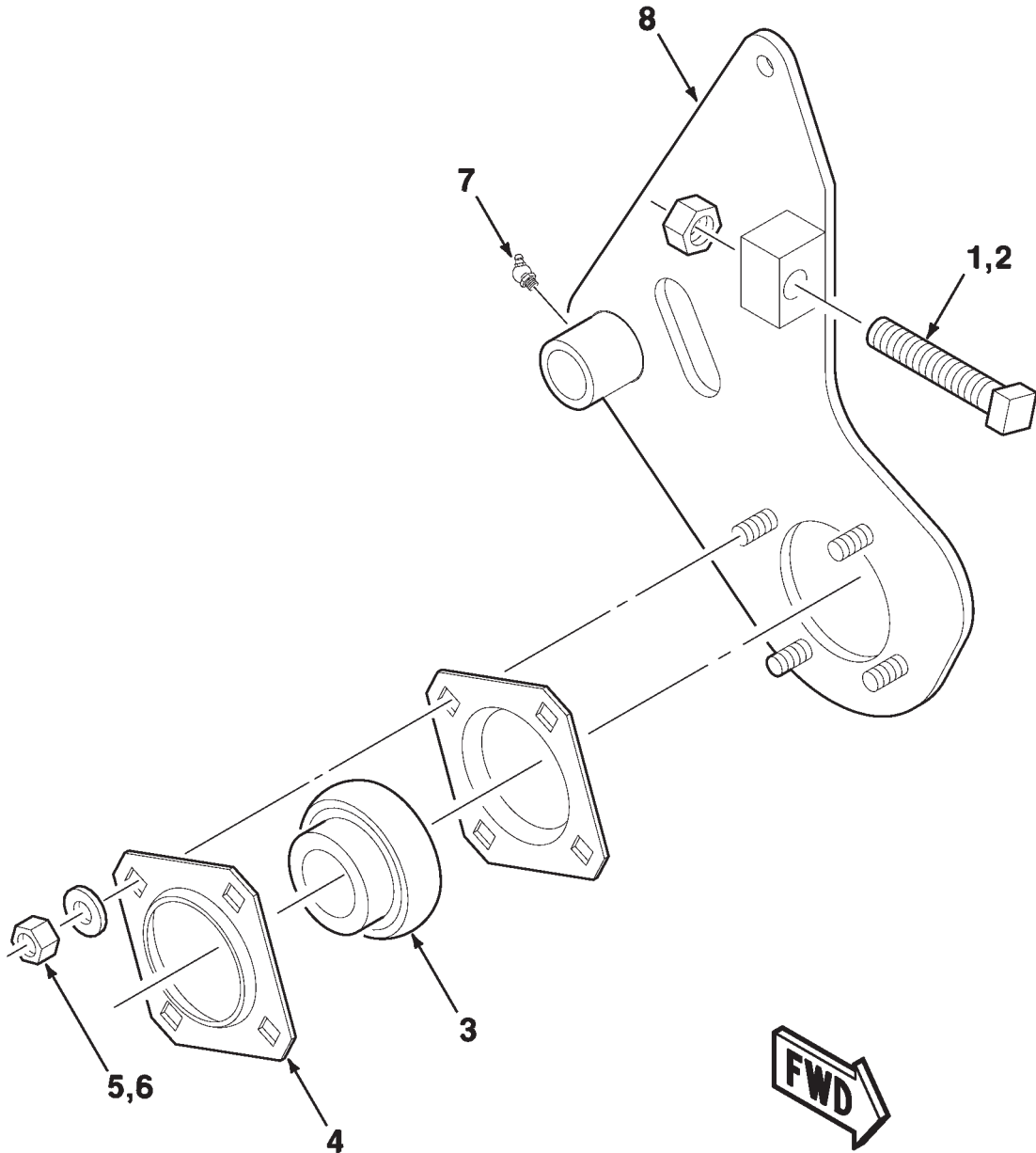
PIVOT ASSEMBLY-LEFT (12 FOOT)

ITEM	NUMBER	QTY	DESCRIPTION
1	705541	4	1/2 HARDENED PLAIN WASHER
2	704031	4	1/2-13 NUT
3	700711918	2	FLANGE-BEARING
4	71122510	1	BEARING-SPHERICAL
5	69674	1	3/4-10 X 4 SETSCREW-SQUARE HEAD
6	70913160	1	3/4-10 NUT
7	700127112C	1	ARM WA-LEFT
8	70925731	1	1/4-28 X 45 Degree ZERK

700127125-0

**DKHB ROTARY HEADER
HAY CONDITIONER**

PIVOT ASSEMBLY-RIGHT (12 FOOT)



**DKHB ROTARY HEADER
HAY CONDITIONER**

101

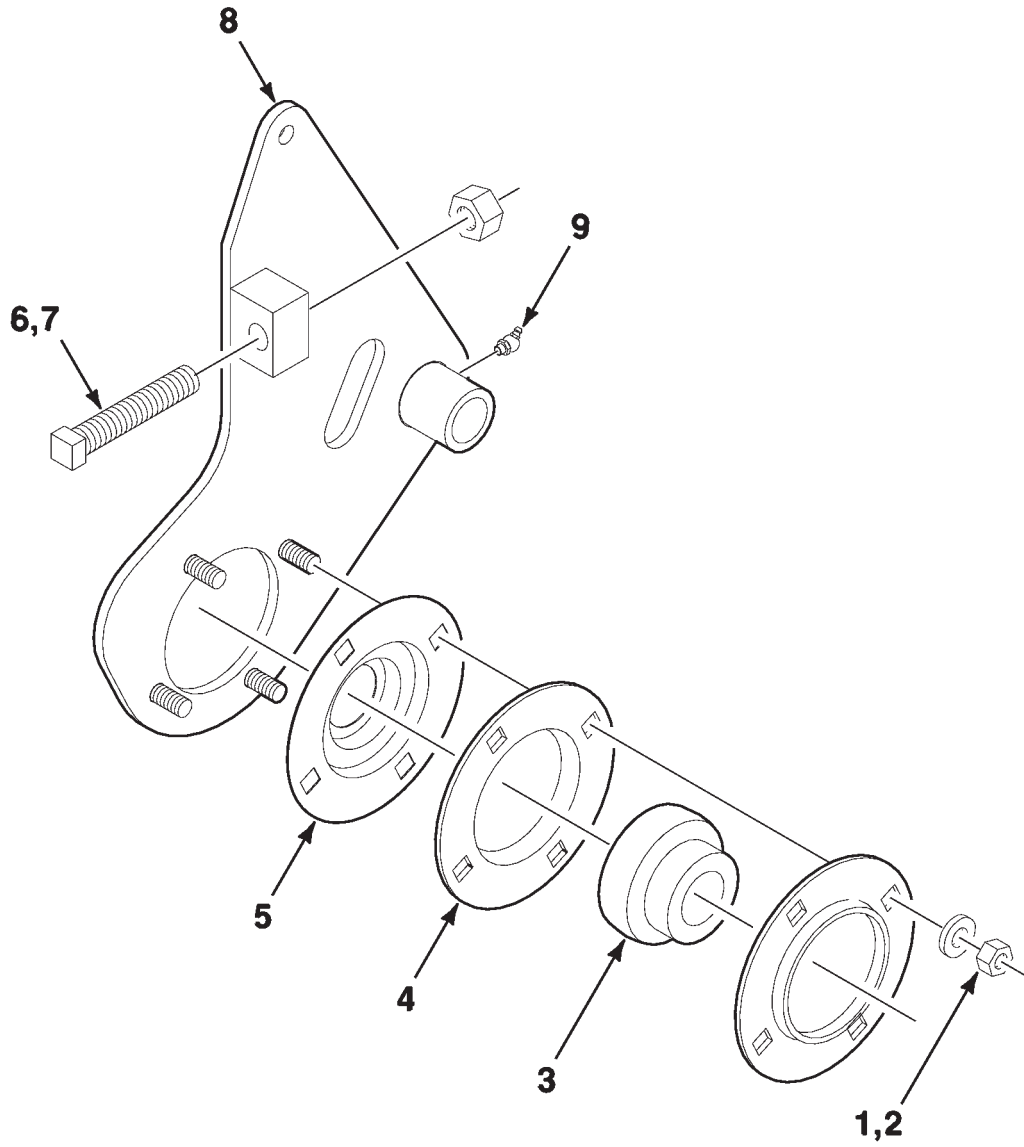
PIVOT ASSEMBLY-RIGHT (12 FOOT)

ITEM	NUMBER	QTY	DESCRIPTION
1	69674	1	3/4-10 X 4 SETSCREW-SQUARE HEAD
2	70913160	1	3/4-10 NUT
3	71122510	1	BEARING-SPHERICAL
4	700711918	2	FLANGE-BEARING
5	705541	4	1/2 HARDENED PLAIN WASHER
6	704031	4	1/2-13 NUT
7	70925731	1	1/4-28 X 45 Degree ZERK
8	700127121C	1	ARM WA-RIGHT

700127127-0

DKHB ROTARY HEADER
HAY CONDITIONER

PIVOT ASSEMBLY-LEFT (15 FOOT)



**DKHB ROTARY HEADER
HAY CONDITIONER**

103

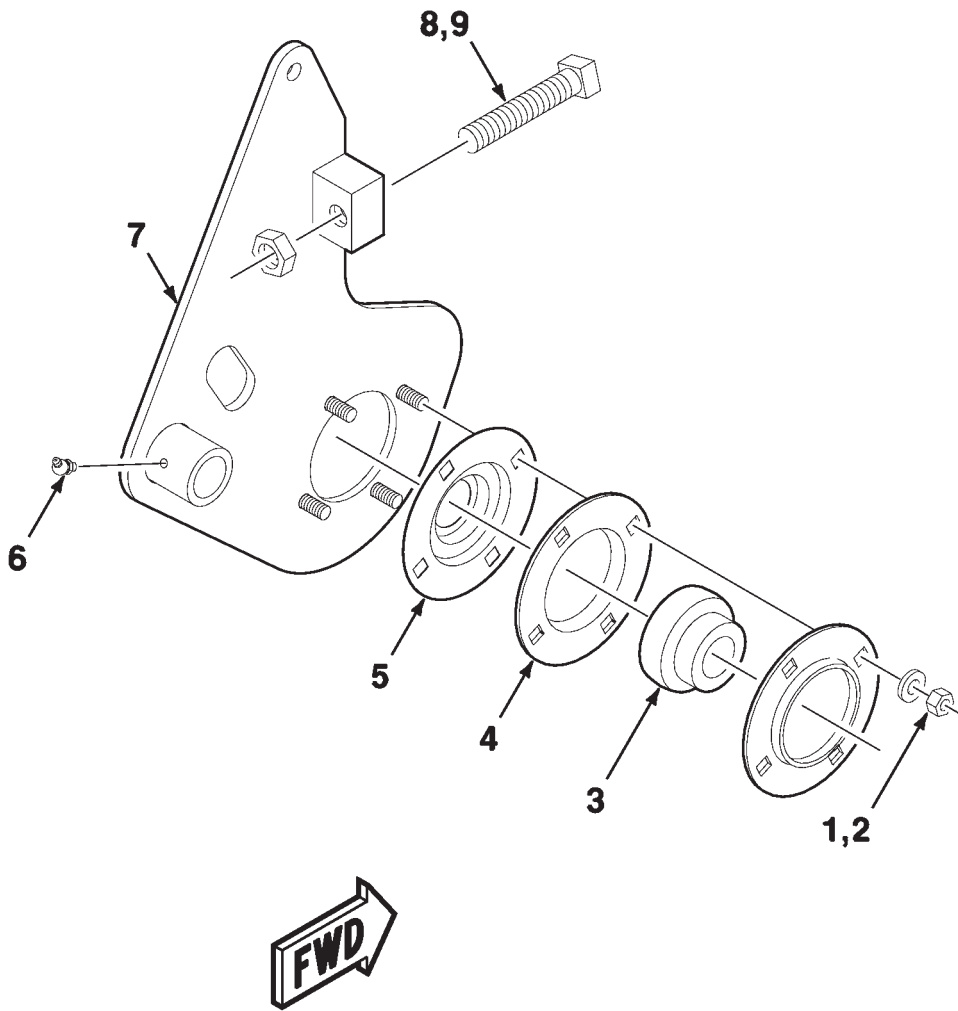
PIVOT ASSEMBLY-LEFT (15 FOOT)

ITEM	NUMBER	QTY	DESCRIPTION
1	704031	4	1/2-13 NUT
2	705541	4	1/2 HARDENED PLAIN WASHER
3	700721328	1	BEARING-SPHERICAL, SPECIAL
4	713958	2	FLANGE
5	700721327	1	SHIELD-BEARING, 90 MM
6	69674	1	3/4-10 X 4 SETSCREW-SQUARE HEAD
7	70913160	1	3/4-10 NUT
8	700160934C	1	ARM WA-LEFT
9	70925731	1	1/4-28 X 45 Degree ZERK

700160933-0

DKHB ROTARY HEADER
HAY CONDITIONER

PIVOT ASSEMBLY-RIGHT (15 FOOT)



**DKHB ROTARY HEADER
HAY CONDITIONER**

105

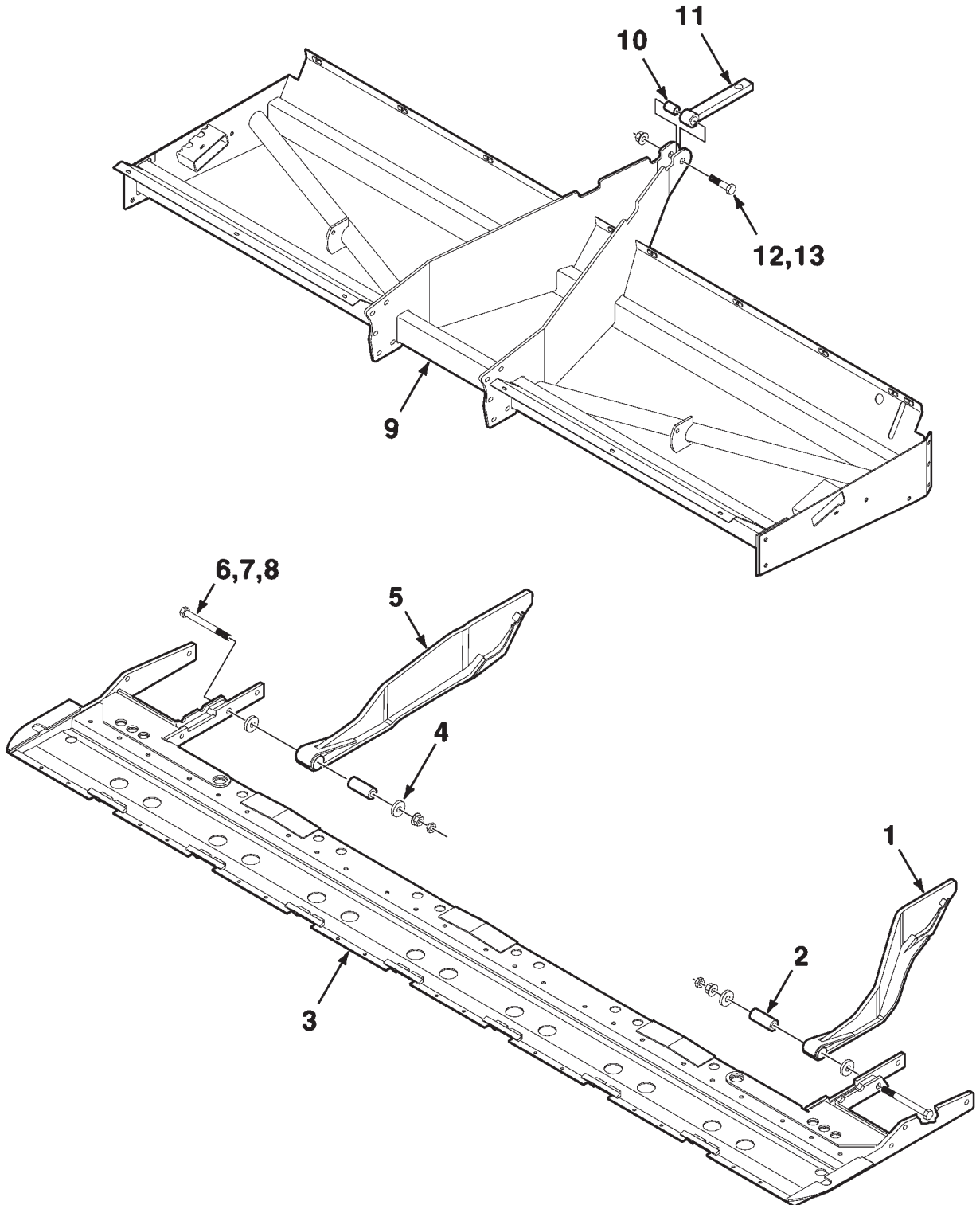
PIVOT ASSEMBLY-RIGHT (15 FOOT)

ITEM	NUMBER	QTY	DESCRIPTION
1	704031	4	1/2-13 NUT
2	705541	4	1/2 HARDENED PLAIN WASHER
3	700721328	1	BEARING-SPHERICAL, SPECIAL
4	713958	2	FLANGE
5	700721327	1	SHIELD-BEARING, 90 MM
6	70925731	1	1/4-28 X 45 Degree ZERK
7	700160938C	1	ARM WA-RIGHT
8	69674	1	3/4-10 X 4 SETSCREW-SQUARE HEAD
9	70913160	1	3/4-10 NUT

700160936-0

DKHB ROTARY HEADER
FRAME AND SHIELDS

HEADER FRAME (12 FOOT)



**DKHB ROTARY HEADER
FRAME AND SHIELDS**

107

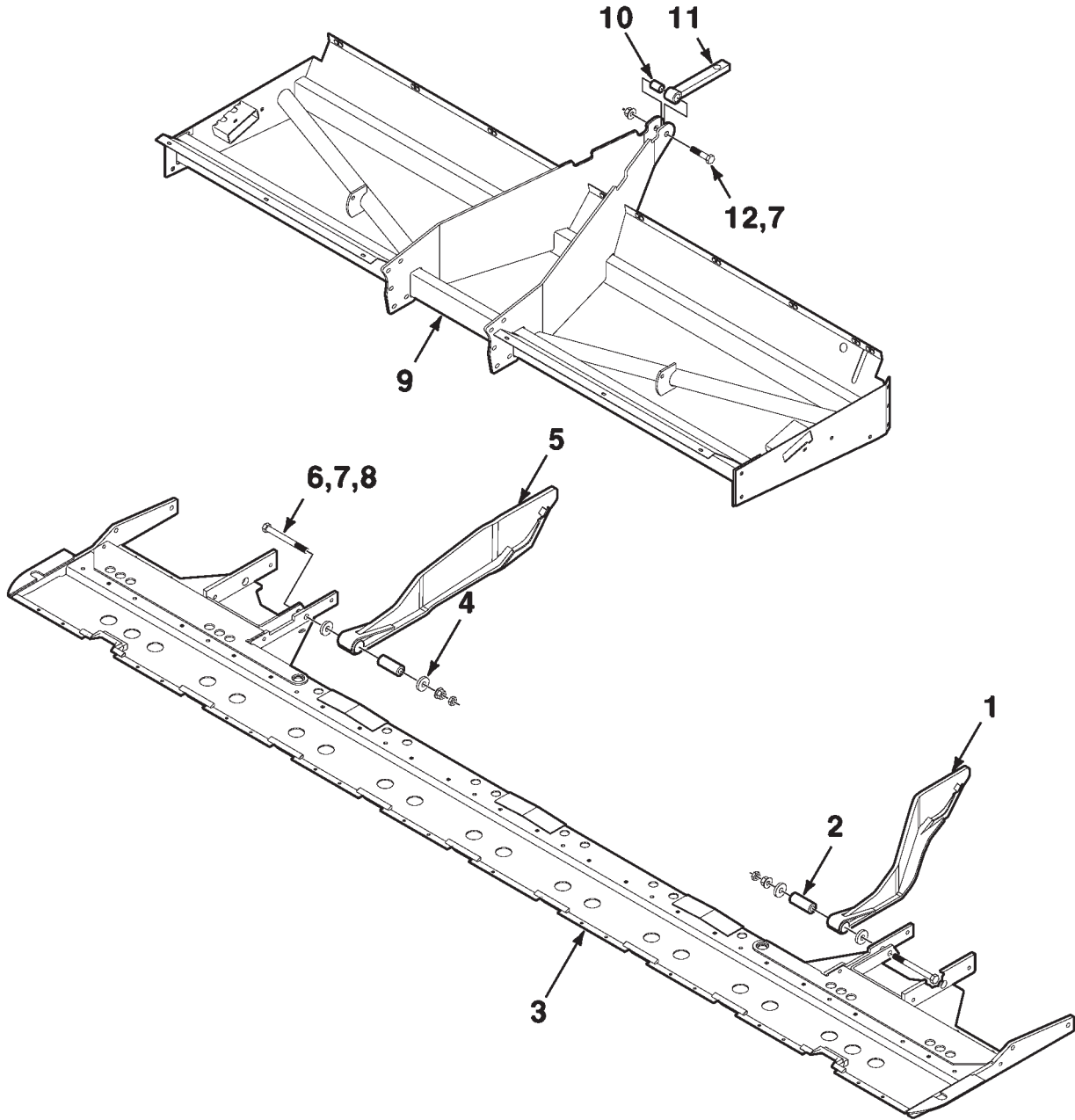
HEADER FRAME (12 FOOT)

ITEM	NUMBER	QTY	DESCRIPTION
1	700158542B	1	ARM WA-LIFT, LEFT
2	700149829	2	BUSHING-INNER
3	700152275C	1	CRADLE WA
4	700115158B	4	SPACER
5	700158544B	1	ARM WA-LIFT, RIGHT
6	70932863	2	3/4-10 X 8 CAPSCREW GR8
7	700703923	2	3/4-10 NUT-LOCK, FLANGE GR/G
8	375113X1	2	3/4-10 NUT-HALF
9	700149797P	1	FRAME WA-CENTER
10	700114925	1	BUSHING
11	700130184C	1	ARM WA
12	70924741	1	3/4-10 X 3-1/4 CAPSCREW
13	700703923	1	3/4-10 NUT-LOCK, FLANGE GR/G

700161084-1

**DKHB ROTARY HEADER
FRAME AND SHIELDS**

HEADER FRAME (15 FOOT)



**DKHB ROTARY HEADER
FRAME AND SHIELDS**

109

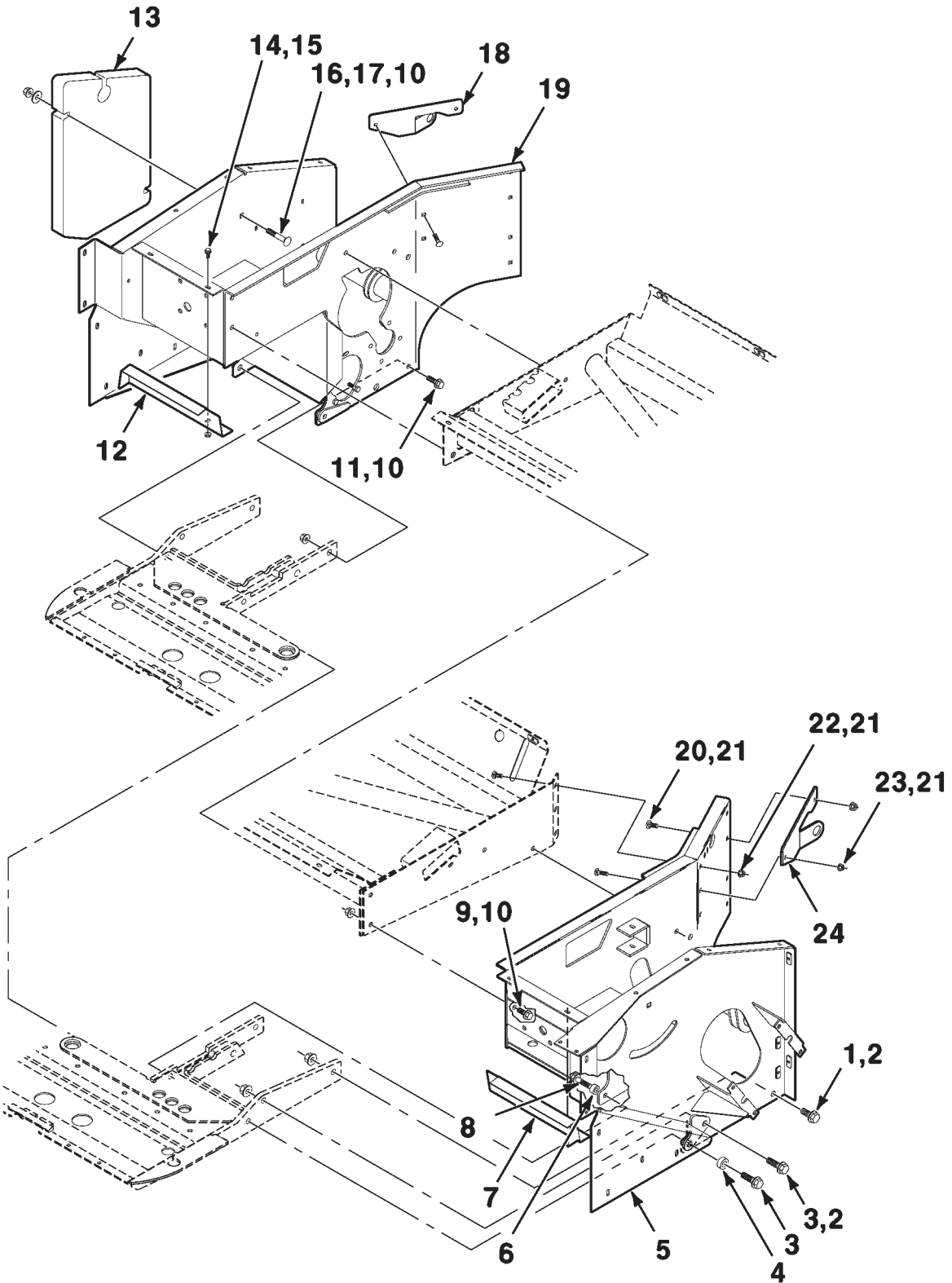
HEADER FRAME (15 FOOT)

ITEM	NUMBER	QTY	DESCRIPTION
1	700158542B	1	ARM WA-LIFT, LEFT
2	700149829	2	BUSHING-INNER
3	700160949C	1	CRADLE WA
4	700115158B	4	SPACER
5	700158544B	1	ARM WA-LIFT, RIGHT
6	70932863	2	3/4-10 X 8 CAPSCREW GR8
7	700703923	3	3/4-10 NUT-LOCK, FLANGE GR/G
8	375113X1	2	3/4-10 NUT-HALF
9	700149797P	1	FRAME WA-CENTER
10	700114925	1	BUSHING
11	700130184C	1	ARM WA
12	70924741	1	3/4-10 X 3-1/4 CAPSCREW

700160905-1

DKHB ROTARY HEADER
FRAME AND SHIELDS

HEADER FRAME (12 FOOT)



**DKHB ROTARY HEADER
FRAME AND SHIELDS**

111

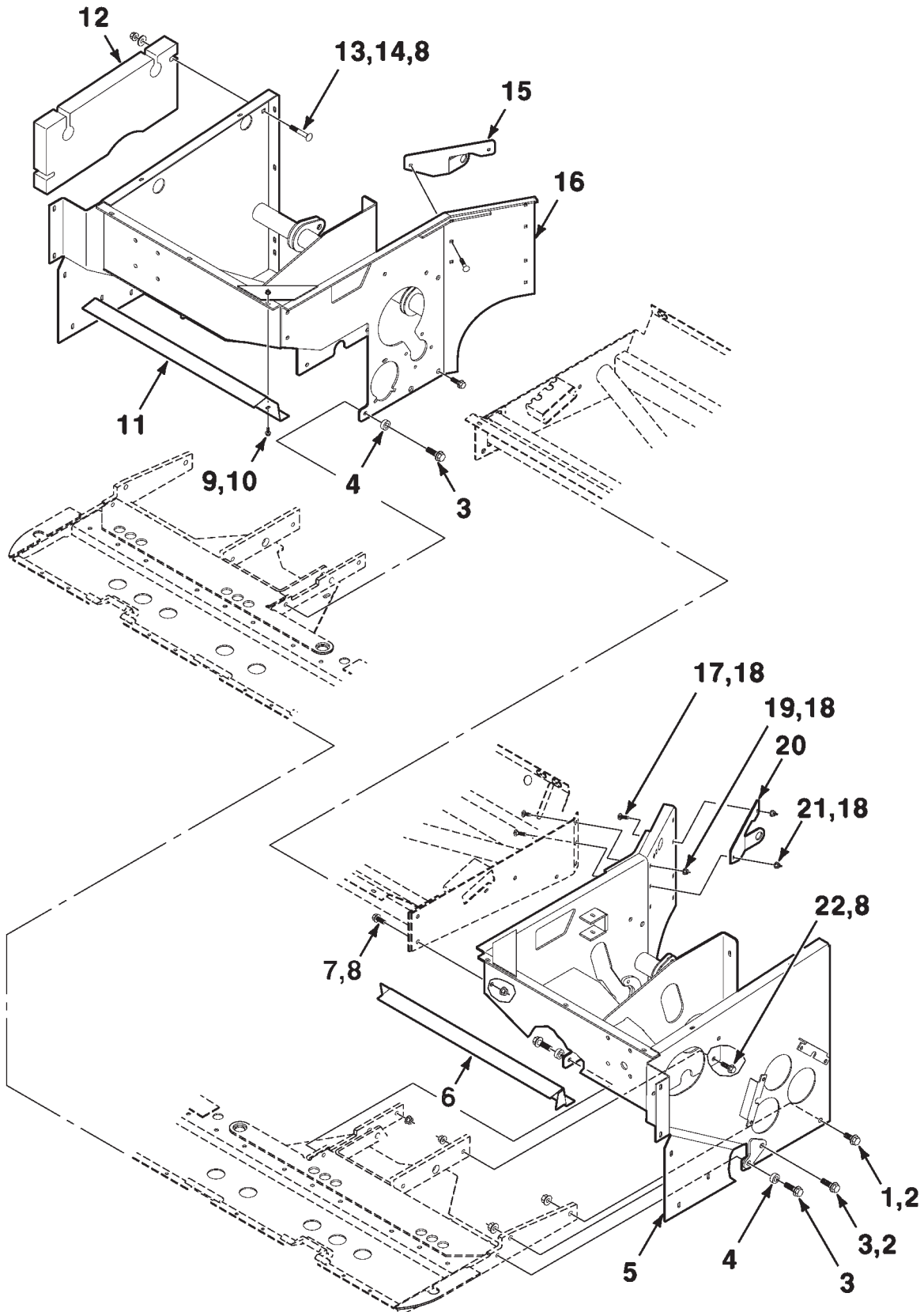
HEADER FRAME (12 FOOT)

ITEM	NUMBER	QTY	DESCRIPTION
1	700711262	2	5/8-11 X 1-1/2 SCREW-FLANGE GR8
2	700703922	4	5/8-11 NUT-LOCK, FLANGE GR/G
3	700710982	4	5/8-11 X 2 SCREW-FLANGE GR8
4	327296B	2	SPACER
5	700152261P	1	FRAME WA-LEFT
6	214817C	2	SPACER
7	700154605C	1	SUPPORT-SHIELD, LEFT
8	8701534	2	1/2-13 X 2 SCREW-FLANGE GR8
9	700710984	8	1/2-13 X 1-1/4 SCREW-FLANGE GR8
10	Y704742	12	1/2-13 NUT-LOCK, FLANGE GR/G
11	8701237	2	1/2-13 X 1-1/2 SCREW-FLANGE GR8
12	700154606C	1	SUPPORT-SHIELD, RIGHT
13	700154608P	1	WEIGHT
14	7883325	4	5/16-18 X 3/4 SCREW-FLANGE
15	70931277	4	5/16-18 NUT-LOCK, FLANGE
16	7770076	2	1/2-13 X 3 BOLT-CARRIAGE
17	700711557	2	1/2 HARDENED WIDE PLAIN WASHER
18	700149972P	1	SUPPORT-RIGHT
19	700152270P	1	FRAME WA-RIGHT
20	70923220	2	3/8-16 X 1-1/4 BOLT-CARRIAGE
21	Y704734	8	3/8-16 NUT-LOCK, FLANGE GR/G
22	70922786	4	3/8-16 X 1 BOLT-CARRIAGE
23	768036	2	3/8-16 X 1-1/2 BOLT-CARRIAGE
24	700149970P	1	SUPPORT-LEFT

700161084-2

DKHB ROTARY HEADER
FRAME AND SHIELDS

HEADER FRAME (15 FOOT)



**DKHB ROTARY HEADER
FRAME AND SHIELDS**

113

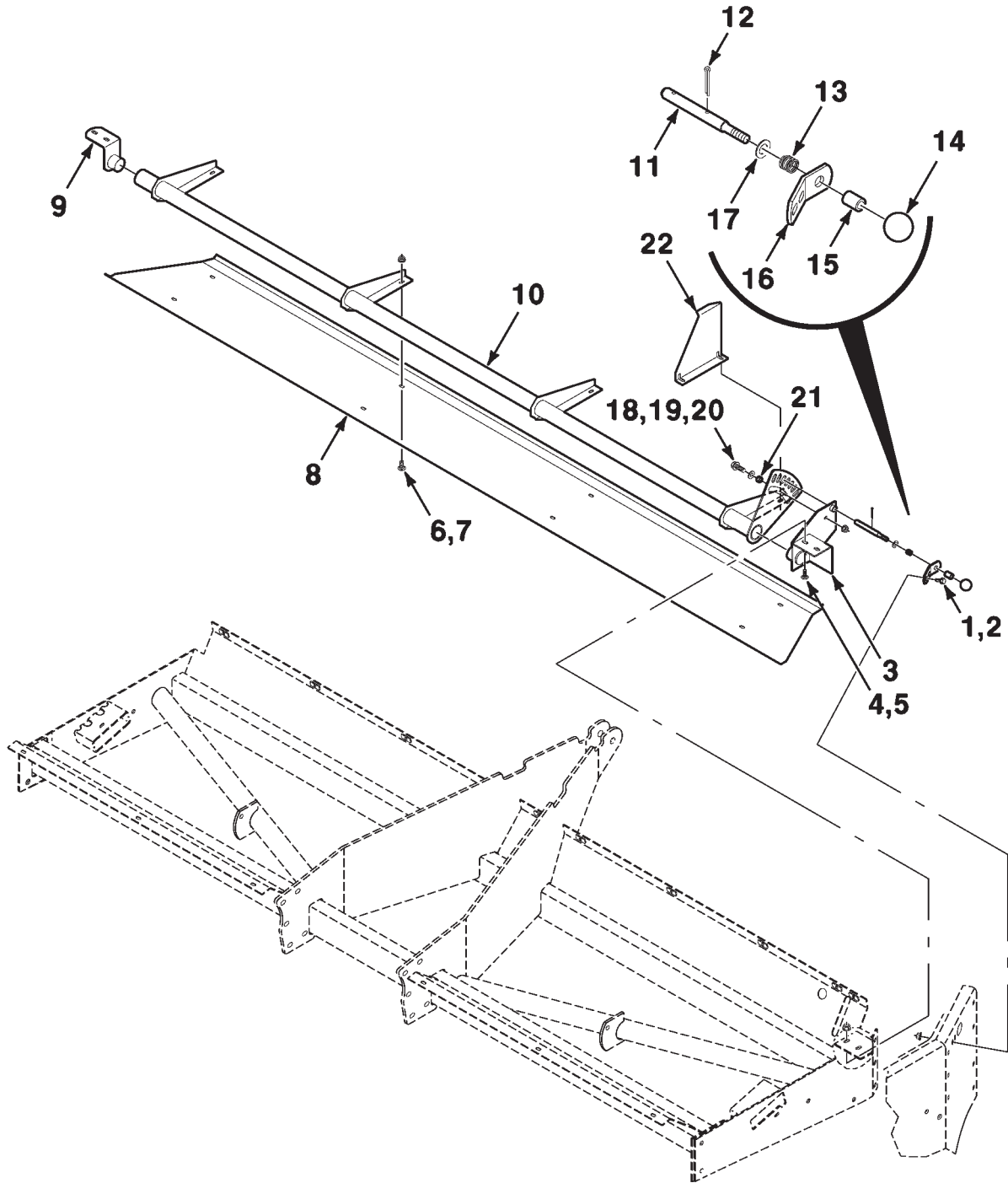
HEADER FRAME (15 FOOT)

ITEM	NUMBER	QTY	DESCRIPTION
1	700711262	2	5/8-11 X 1-1/2 SCREW-FLANGE GR8
2	700703922	4	5/8-11 NUT-LOCK, FLANGE GR/G
3	700710982	6	5/8-11 X 2 SCREW-FLANGE GR8
4	700110610	4	SPACER
5	700160940C	1	FRAME WA-LEFT
6	700149841P	1	SUPPORT-LEFT, SHIELD
7	700710984	8	1/2-13 X 1-1/4 SCREW-FLANGE GR8
8	Y704742	16	1/2-13 NUT-LOCK, FLANGE GR/G
9	7883325	6	5/16-18 X 3/4 SCREW-FLANGE
10	70931277	6	5/16-18 NUT-LOCK, FLANGE
11	700149969C	1	SUPPORT-RIGHT, SHIELD
12	700149846	1	WEIGHT
13	70931814	2	1/2-13 X 4 BOLT-CARRIAGE
14	700711557	2	1/2 HARDENED WIDE PLAIN WASHER
15	700149972P	1	SUPPORT-RIGHT
16	700160946C	1	FRAME WA-RIGHT
17	70923220	2	3/8-16 X 1-1/4 BOLT-CARRIAGE
18	Y704734	8	3/8-16 NUT-LOCK, FLANGE GR/G
19	70922786	4	3/8-16 X 1 BOLT-CARRIAGE
20	700149970P	1	SUPPORT-LEFT
21	768036	2	3/8-16 X 1-1/2 BOLT-CARRIAGE
22	8701237	6	1/2-13 X 1-1/2 SCREW-FLANGE GR8

700160905-2

DKHB ROTARY HEADER
FRAME AND SHIELDS

SWATHBOARD MOUNTING



DKHB ROTARY HEADER
FRAME AND SHIELDS

115

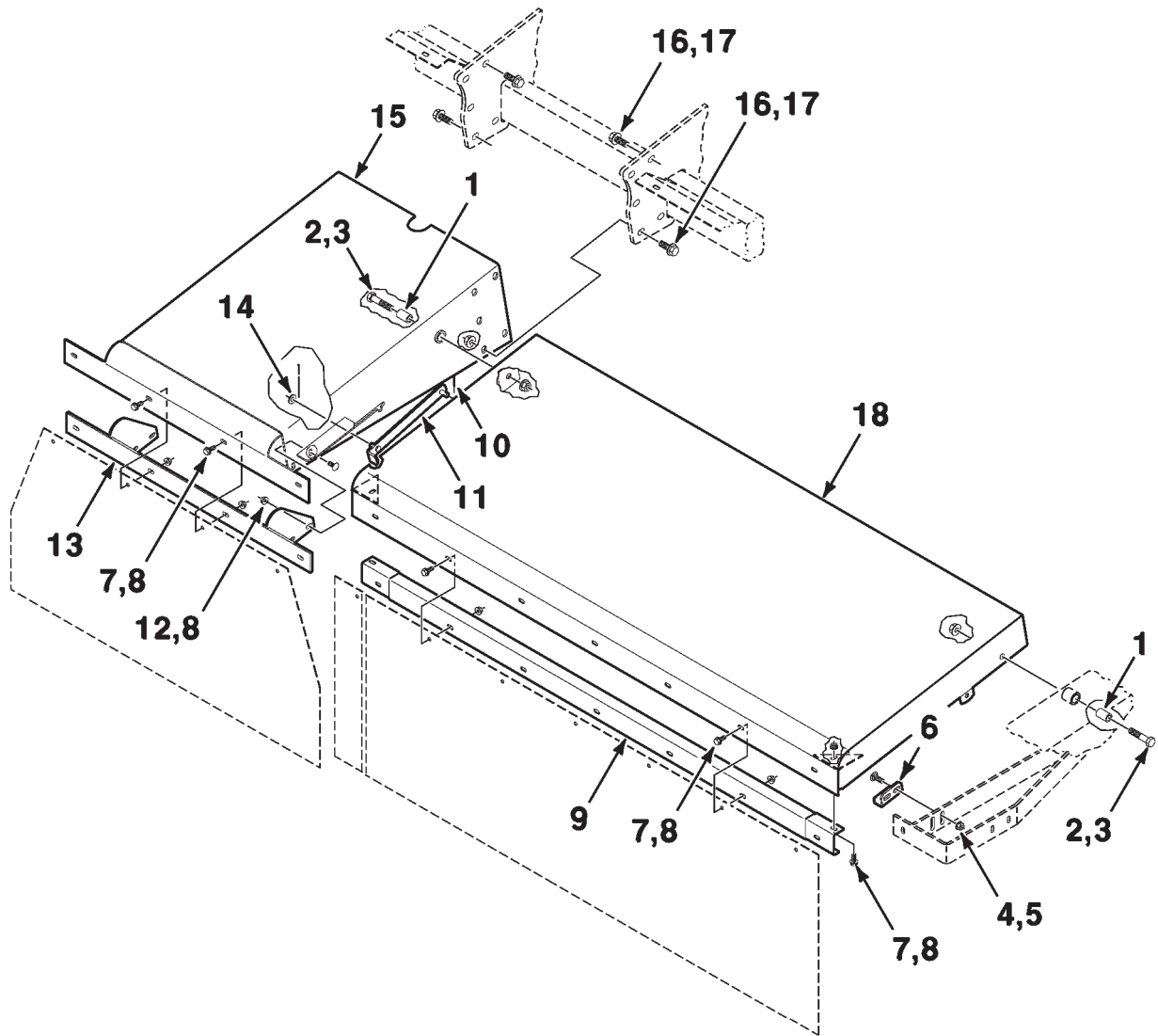
SWATHBOARD MOUNTING

ITEM	NUMBER	QTY	DESCRIPTION
1	7883325	2	5/16-18 X 3/4 SCREW-FLANGE
2	70931277	2	5/16-18 NUT-LOCK, FLANGE
3	700149834P	1	MOUNTING WA-LEFT
4	70922786	4	3/8-16 X 1 BOLT-CARRIAGE
5	Y704734	4	3/8-16 NUT-LOCK, FLANGE GR/G
6	70931333	8	5/16-18 X 3/4 BOLT-CARRIAGE
7	Y704726	8	5/16-18 NUT-LOCK, FLANGE GR/G
8	700149838C	1	PANEL-SWATHBOARD
9	700149839P	1	MOUNTING WA-RIGHT
10	700149830P	1	PIPE WA
11	700134748C	1	PIN
12	62174	1	5/32 X 1 COTTER PIN
13	700703267	1	SPRING-COMPRESSION
14	721258	1	KNOB
15	6595516C	1	SPACER
16	700149847P	1	SUPPORT-LATCH PIN
17	52167	1	1/2 X 18 GAUGE BUSHING-NARROW
18	7883382	1	3/8-16 X 1 SCREW-FLANGE
19	Y705533	1	3/8 HARDENED PLAIN WASHER
20	704247	1	3/8-16 NUT-LOCK, FLANGE
21	6489231	1	SPACER
22	700149983C	1	HANDLE

700161084-3

DKHB ROTARY HEADER
FRAME AND SHIELDS

SHIELDS-LEFT CUTTERBAR (12 FOOT)



DKHB ROTARY HEADER
FRAME AND SHIELDS

117

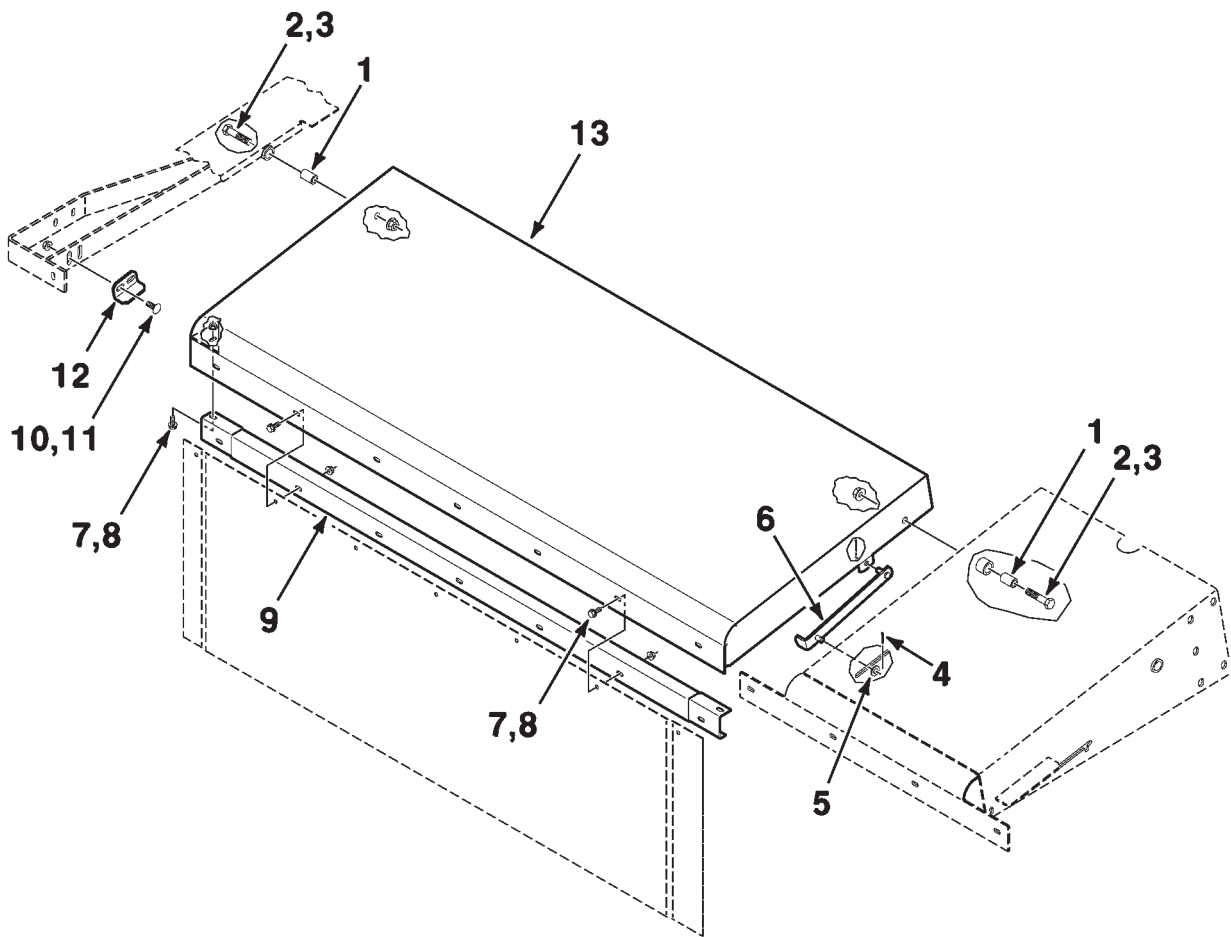
SHIELDS-LEFT CUTTERBAR (12 FOOT)

ITEM	NUMBER	QTY	DESCRIPTION
1	6472948	2	SPACER
2	70922645	2	1/2-13 X 2-1/4 CAPSCREW
3	Y704742	2	1/2-13 NUT-LOCK, FLANGE GR/G
4	70922786	2	3/8-16 X 1 BOLT-CARRIAGE
5	704247	2	3/8-16 NUT-LOCK, FLANGE
6	700149866	2	ANGLE-STOP
7	7883325	13	5/16-18 X 3/4 SCREW-FLANGE
8	70931277	17	5/16-18 NUT-LOCK, FLANGE
9	700152292C	1	CHANNEL-FRONT
10	62166	2	5/32 X 3/4 COTTER PIN
11	700127224	1	LATCH WA
12	70931333	4	5/16-18 X 3/4 BOLT-CARRIAGE
13	700149907P	1	SUPPORT WA-CENTER
14	Y705533	2	3/8 HARDENED PLAIN WASHER
15	700149901P	1	CHANNEL WA-FRONT
16	700710984	10	1/2-13 X 1-1/4 SCREW-FLANGE GR8
17	704254	10	1/2-13 NUT-LOCK, FLANGE
18	700152290P	1	PANEL WA-SHIELD

700152248-1

DKHB ROTARY HEADER
FRAME AND SHIELDS

SHIELDS-RIGHT CUTTERBAR (12 FOOT)



**DKHB ROTARY HEADER
FRAME AND SHIELDS**

119

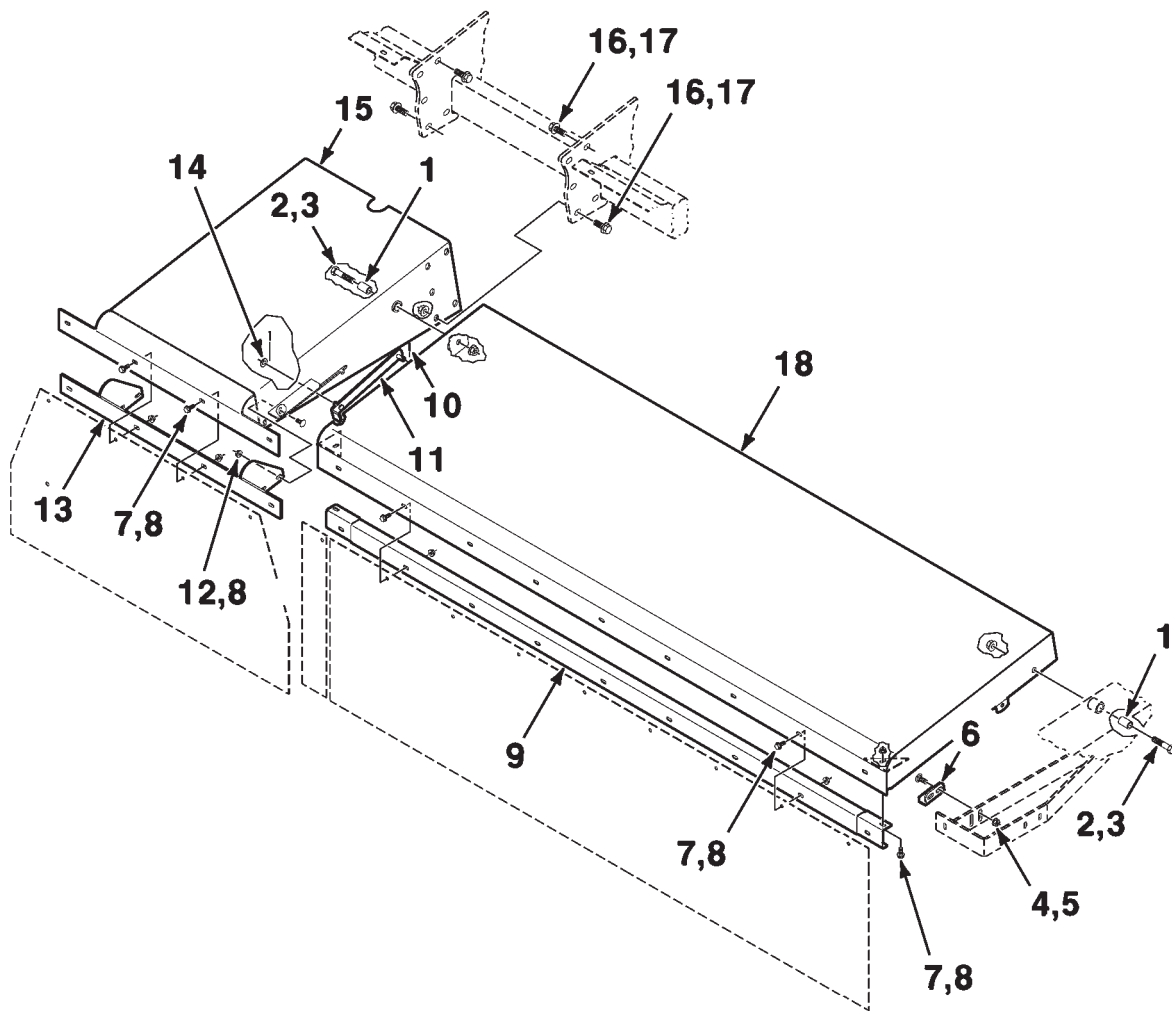
SHIELDS-RIGHT CUTTERBAR (12 FOOT)

ITEM	NUMBER	QTY	DESCRIPTION
1	6472948	2	SPACER
2	70922645	2	1/2-13 X 2-1/4 CAPSCREW
3	Y704742	2	1/2-13 NUT-LOCK, FLANGE GR/G
4	62166	2	5/32 X 3/4 COTTER PIN
5	Y705533	1	3/8 HARDENED PLAIN WASHER
6	700127224	1	LATCH WA
7	7883325	9	5/16-18 X 3/4 SCREW-FLANGE
8	70931277	9	5/16-18 NUT-LOCK, FLANGE
9	700152292C	1	CHANNEL-FRONT
10	70922786	2	3/8-16 X 1 BOLT-CARRIAGE
11	704247	2	3/8-16 NUT-LOCK, FLANGE
12	700149866	1	ANGLE-STOP
13	700152290P	1	PANEL WA-SHIELD

700152248-2

DKHB ROTARY HEADER
FRAME AND SHIELDS

SHIELDS-LEFT CUTTERBAR (15 FOOT)



DKHB ROTARY HEADER
FRAME AND SHIELDS

121

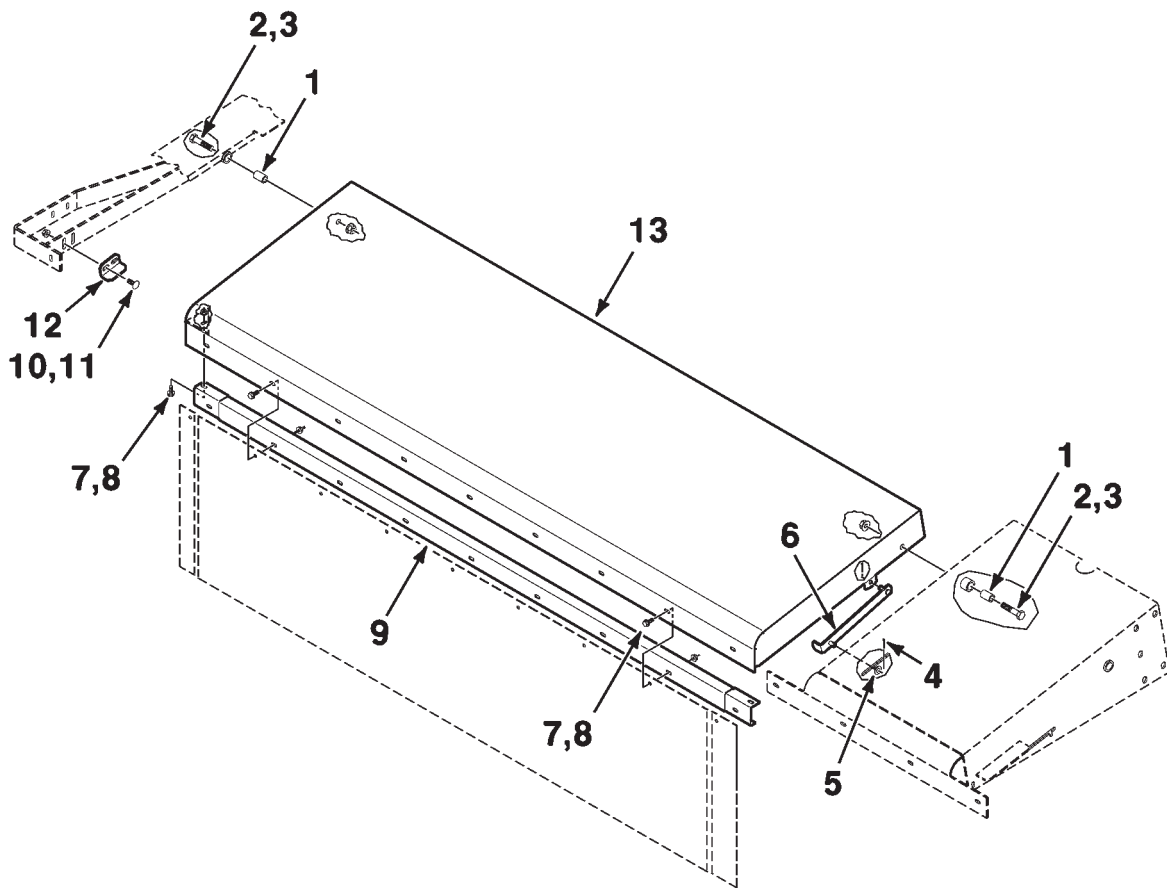
SHIELDS-LEFT CUTTERBAR (15 FOOT)

ITEM	NUMBER	QTY	DESCRIPTION
1	6472948	2	SPACER
2	70922645	2	1/2-13 X 2-1/4 CAPSCREW
3	Y704742	2	1/2-13 NUT-LOCK, FLANGE GR/G
4	70922786	2	3/8-16 X 1 BOLT-CARRIAGE
5	704247	2	3/8-16 NUT-LOCK, FLANGE
6	700149866	2	ANGLE-STOP
7	7883325	15	5/16-18 X 3/4 SCREW-FLANGE
8	70931277	19	5/16-18 NUT-LOCK, FLANGE
9	700149900C	1	CHANNEL-FRONT
10	62166	2	5/32 X 3/4 COTTER PIN
11	700127224	1	LATCH WA
12	70931333	4	5/16-18 X 3/4 BOLT-CARRIAGE
13	700149907P	1	SUPPORT WA-CENTER
14	Y705533	2	3/8 HARDENED PLAIN WASHER
15	700149901P	1	CHANNEL WA-FRONT
16	700710984	10	1/2-13 X 1-1/4 SCREW-FLANGE GR8
17	704254	10	1/2-13 NUT-LOCK, FLANGE
18	700149893C	1	PANEL WA-SHIELD

700149751-1

DKHB ROTARY HEADER
FRAME AND SHIELDS

SHIELDS-RIGHT CUTTERBAR (15 FOOT)



**DKHB ROTARY HEADER
FRAME AND SHIELDS**

123

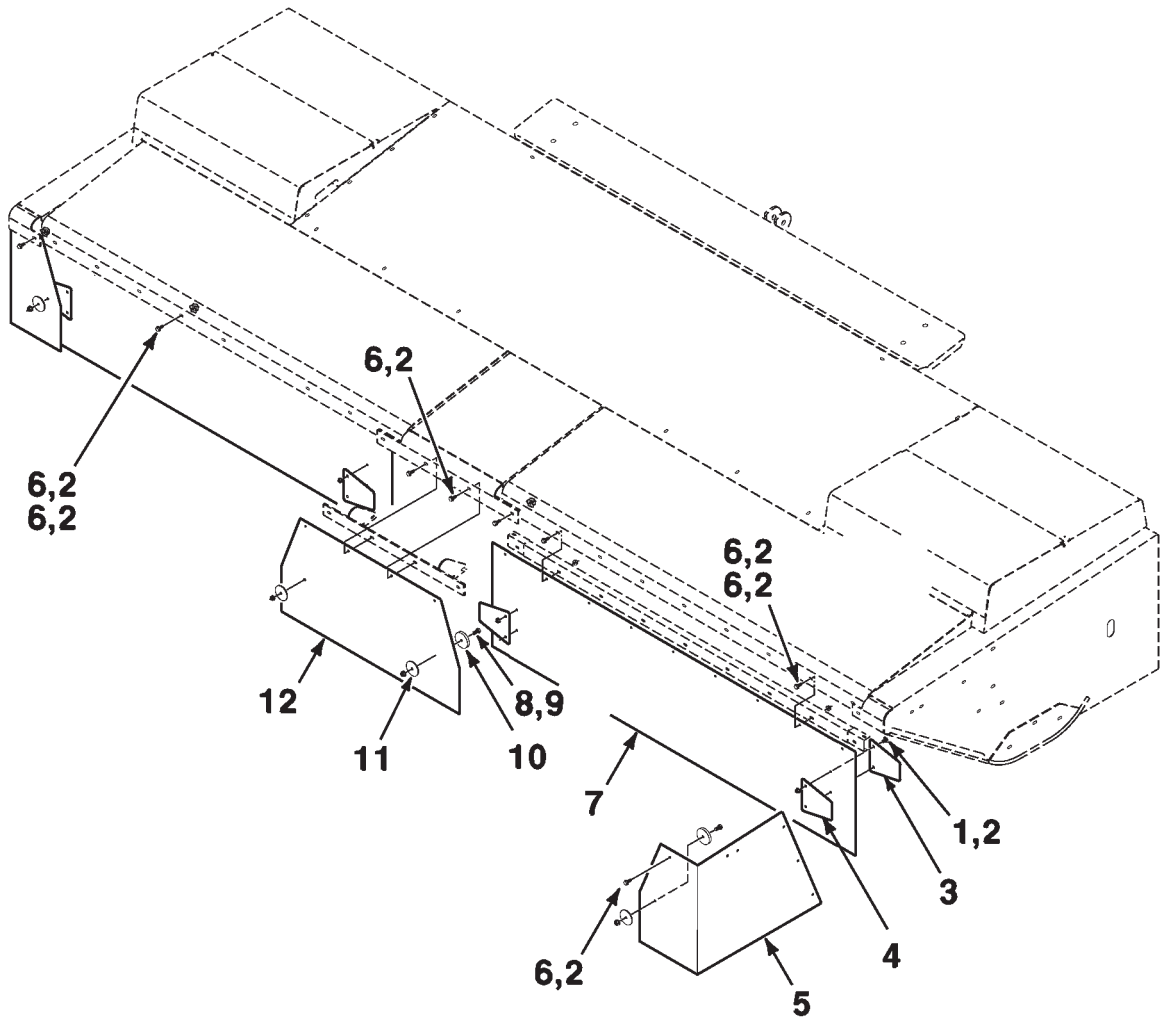
SHIELDS-RIGHT CUTTERBAR (15 FOOT)

ITEM	NUMBER	QTY	DESCRIPTION
1	6472948	2	SPACER
2	70922645	2	1/2-13 X 2-1/4 CAPSCREW
3	Y704742	2	1/2-13 NUT-LOCK, FLANGE GR/G
4	62166	2	5/32 X 3/4 COTTER PIN
5	Y705533	1	3/8 HARDENED PLAIN WASHER
6	700127224	1	LATCH WA
7	7883325	11	5/16-18 X 3/4 SCREW-FLANGE
8	70931277	11	5/16-18 NUT-LOCK, FLANGE
9	700149900C	1	CHANNEL-FRONT
10	70922786	2	3/8-16 X 1 BOLT-CARRIAGE
11	704247	2	3/8-16 NUT-LOCK, FLANGE
12	700149866	1	ANGLE-STOP
13	700149893C	1	PANEL WA-SHIELD

700149751-2

DKHB ROTARY HEADER
FRAME AND SHIELDS

CURTAIN MOUNTING



**DKHB ROTARY HEADER
FRAME AND SHIELDS**

125

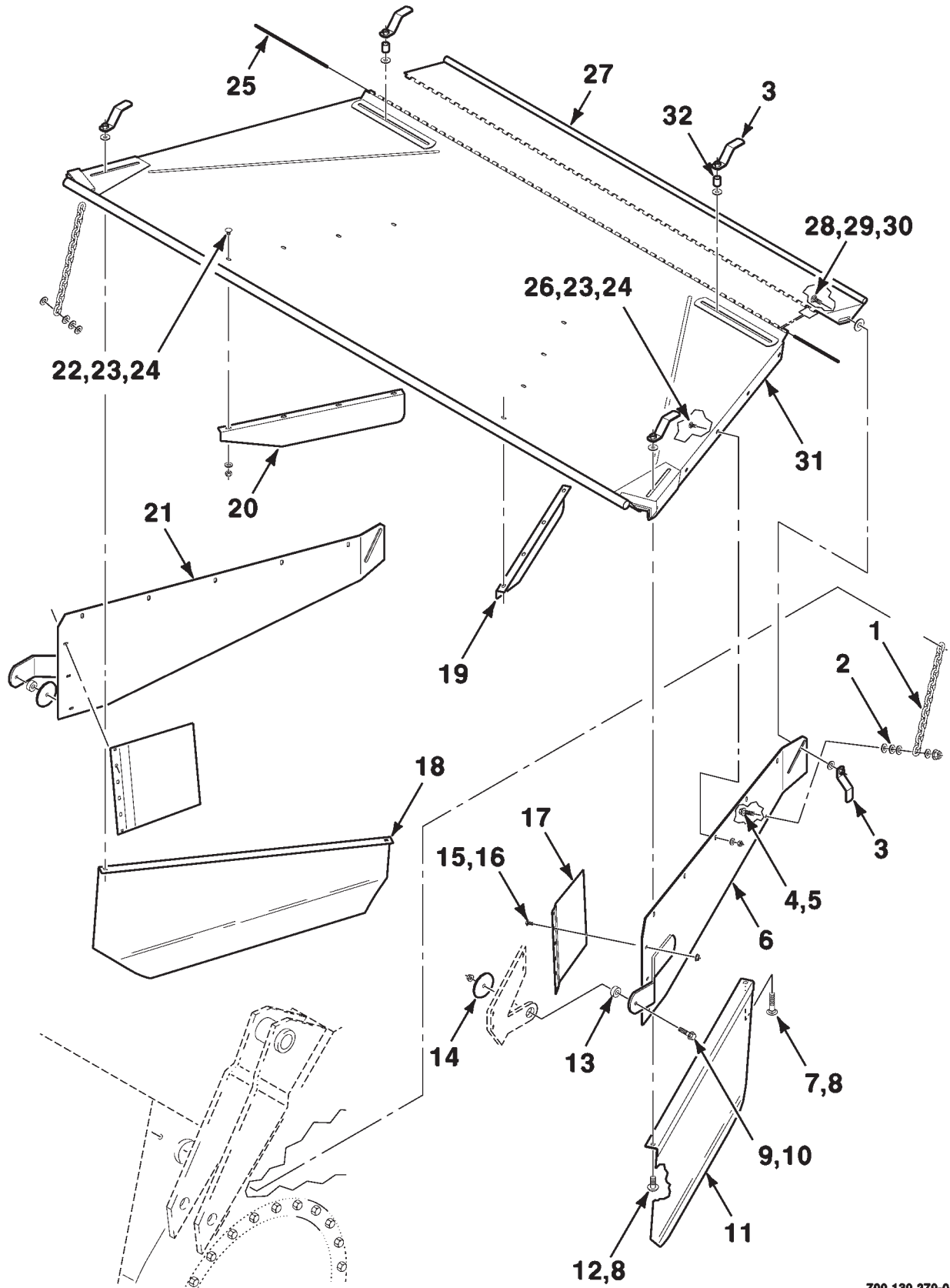
CURTAIN MOUNTING

ITEM	NUMBER	QTY	DESCRIPTION
1	7770282	8	5/16-18 X 1/2 BOLT-CARRIAGE
2	70931277	46	5/16-18 NUT-LOCK, FLANGE
3	700160990	4	PLATE-INNER
4	700160989	4	PLATE-OUTER
5	700713427	2	CURTAIN-SIDE
6	7883325	38	5/16-18 X 3/4 SCREW-FLANGE
7	700711832	2	CURTAIN-FRONT (12 FOOT)
7	700713426	1	CURTAIN-FRONT (15 FOOT)
8	70921965	4	3/8-16 X 3/4 CAPSCREW
9	704247	4	3/8-16 NUT-LOCK, FLANGE
10	700712189	4	MAGNET
11	382069	4	3/8 WASHER
12	700711831	1	CURTAIN-CENTER

700149755-0

DKHB ROTARY HEADER
FRAME AND SHIELDS

FORMING SHIELDS MOUNTING



**DKHB ROTARY HEADER
FRAME AND SHIELDS**

127

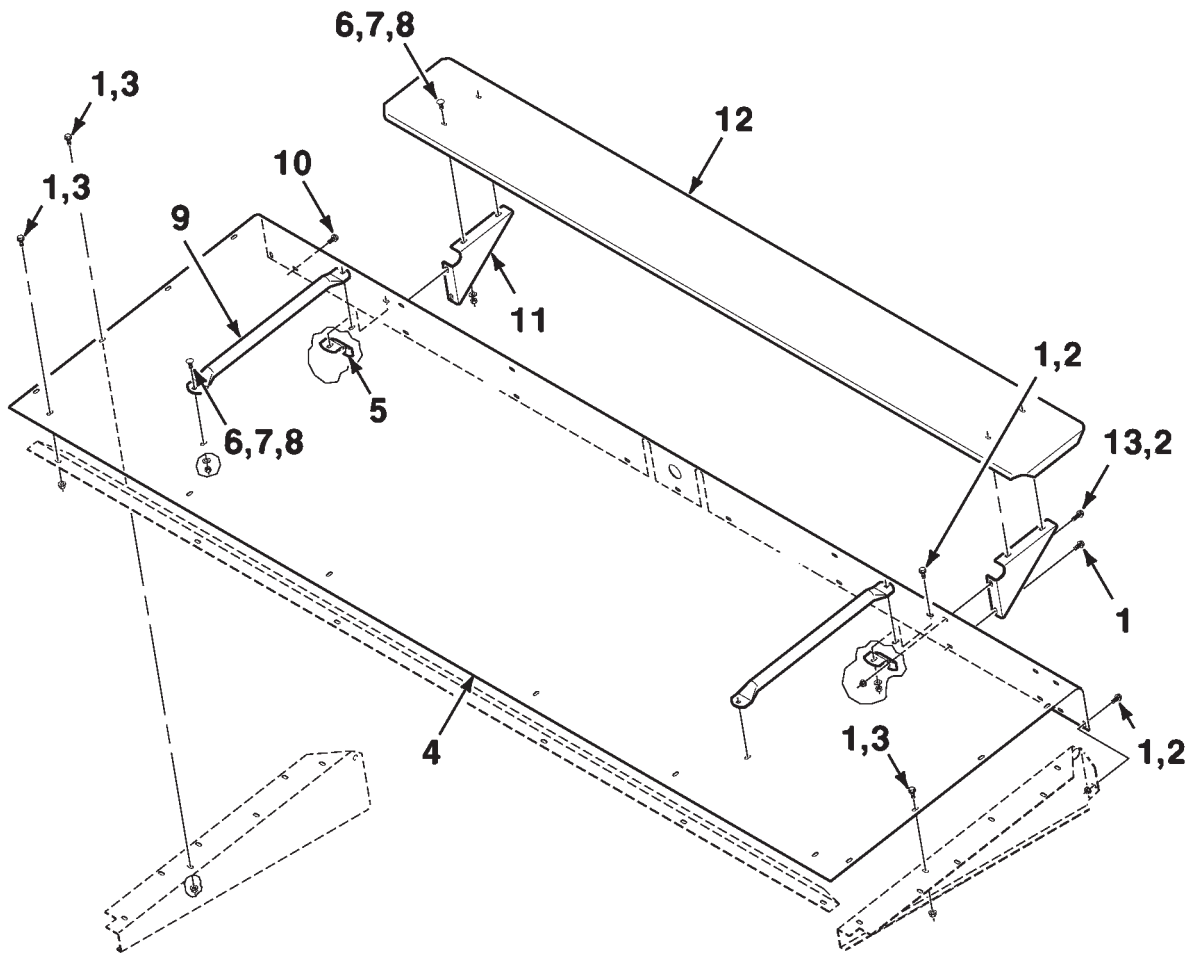
FORMING SHIELDS MOUNTING

ITEM	NUMBER	QTY	DESCRIPTION
1	6559876	2	CHAIN
2	Y705533	8	3/8 HARDENED PLAIN WASHER
3	6232532	6	LEVER ASSEMBLY
4	7883408	2	3/8-16 X 1-1/4 SCREW-FLANGE GR8
5	Y704734	2	3/8-16 NUT-LOCK, FLANGE GR/G
6	700130263C	1	SUPPORT WA-LEFT
7	70922869	2	3/8-16 X 1-3/4 BOLT-CARRIAGE
8	700702916	4	3/8 HARDENED WIDE PLAIN WASHER
9	700711084	2	3/8-16 X 1 1/2 SCREW-FLANGE GR8
10	704247	2	3/8-16 NUT-LOCK, FLANGE
11	700127393C	1	SHIELD-FORMING LEFT
12	70922786	2	3/8-16 X 1 BOLT-CARRIAGE
13	700108796B	2	SPACER
14	382069	2	3/8 WASHER
15	364941X1	6	1/4-20 X 1/2 BOLT-CARRIAGE
16	70931209	6	1/4-20 NUT-LOCK, FLANGE
17	700128253C	2	SHIELD
18	700127394C	1	SHIELD-FORMING RIGHT
19	700127395P	1	FIN-LEFT
20	700127396C	1	FIN-RIGHT
21	700130264C	1	SUPPORT WA-RIGHT
22	700708649	8	5/16-18 X 1/2 BOLT-CARRIAGE
23	Y705525	18	5/16 HARDENED PLAIN WASHER
24	Y704015	18	5/16-18 NUT
25	700130259	1	PIN
26	70931333	10	5/16-18 X 3/4 BOLT-CARRIAGE
27	700130568P	1	DEFLECTOR-REAR
28	68759	2	3/8-16 X 1 BOLT-CARRIAGE
29	70918430	2	7/16 WIDE PLAIN WASHER
30	Y705533	2	3/8 HARDENED PLAIN WASHER
31	700130253C	1	SHIELD WA-TOP
32	6869382	2	SPACER

700130270-0

DKHB ROTARY HEADER
FRAME AND SHIELDS

SHIELDS-CENTER SAFETY (12 FOOT)



**DKHB ROTARY HEADER
FRAME AND SHIELDS**

129

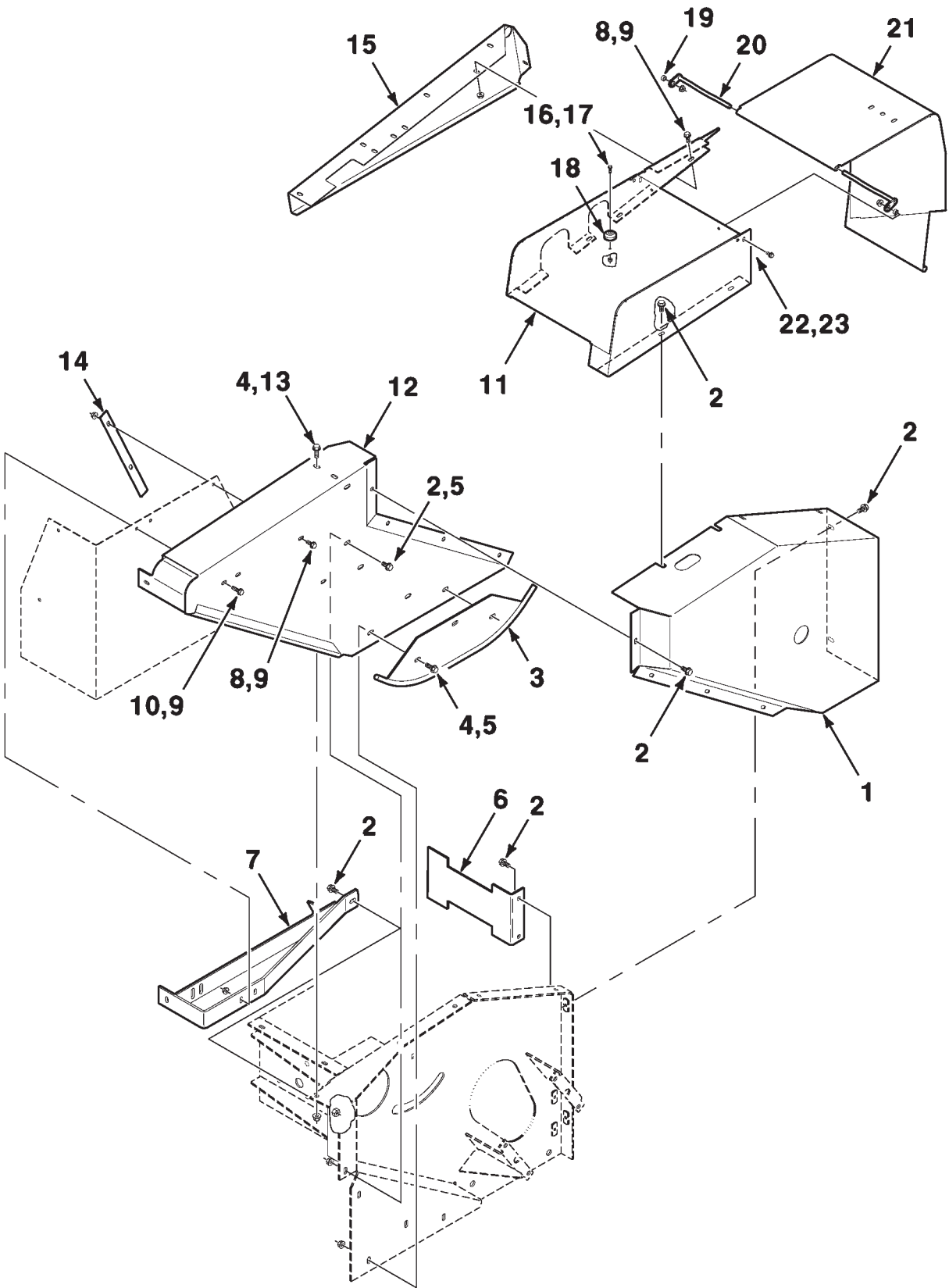
SHIELDS-CENTER SAFETY (12 FOOT)

ITEM	NUMBER	QTY	DESCRIPTION
1	7883325	20	5/16-18 X 3/4 SCREW-FLANGE
2	70931277	6	5/16-18 NUT-LOCK, FLANGE
3	Y704726	14	5/16-18 NUT-LOCK, FLANGE GR/G
4	700149936C	1	PANEL-COVER, TOP
5	700149935	2	SUPPORT-SHIELD
6	70931333	8	5/16-18 X 3/4 BOLT-CARRIAGE
7	Y705525	8	5/16 HARDENED PLAIN WASHER
8	Y704015	8	5/16-18 NUT
9	700149974P	2	TUBE-SUPPORT
10	Y703132	8	5/16-18 X 3/4 SCREW-FLANGE
11	700149939P	2	SUPPORT-DECK
12	700149940C	1	PANEL-DECK
13	7883333	2	5/16-18 X 1 SCREW-FLANGE

700161086-3

DKHB ROTARY HEADER
FRAME AND SHIELDS

SHIELDS-LEFT SAFETY (12 FOOT)



**DKHB ROTARY HEADER
FRAME AND SHIELDS**

131

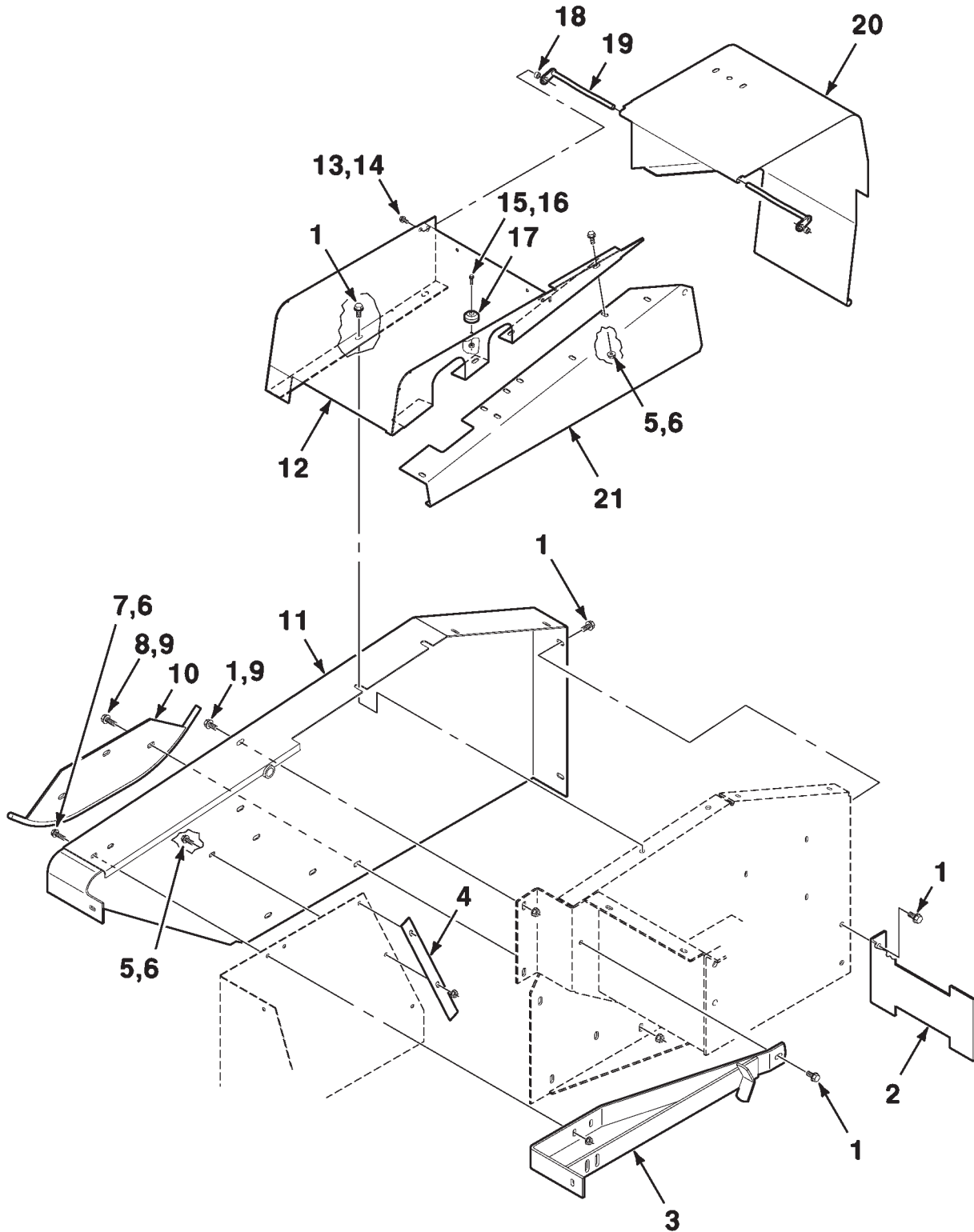
SHIELDS-LEFT SAFETY (12 FOOT)

ITEM	NUMBER	QTY	DESCRIPTION
1	700152408C	1	SHIELD-LEFT
2	7883374	16	3/8-16 X 3/4 SCREW-FLANGE
3	700130220C	1	ROD WA
4	7883382	5	3/8-16 X 1 SCREW-FLANGE
5	704247	6	3/8-16 NUT-LOCK, FLANGE
6	700152418P	1	SHIELD-REAR
7	700149913C	1	STRAP WA-REINFORCEMENT
8	7883325	5	5/16-18 X 3/4 SCREW-FLANGE
9	70931277	7	5/16-18 NUT-LOCK, FLANGE
10	7883333	2	5/16-18 X 1 SCREW-FLANGE
11	700161095C	1	PANEL WA-LEFT
12	700152288C	1	PANEL WA-LEFT
13	Y704734	2	3/8-16 NUT-LOCK, FLANGE GR/G
14	700149934	1	STRAP
15	700161571C	1	BULKHEAD-COVER, LEFT
16	700707203	1	No. 12-24 X 3/4 SCREW-FLANGE
17	373839X1	1	No. 12-24 LOCKNUT-SPECIAL
18	700708648	1	BUMPER-RUBBER
19	6124259	2	SPACER
20	700722760	2	ARM WA-PIVOT
21	700154599C	1	SHIELD WA-LEFT
22	7883267	2	1/4-20 X 1/2 SCREW-FLANGE
23	70916622	2	1/4-20 NUT

700161086-1

DKHB ROTARY HEADER
FRAME AND SHIELDS

SHIELDS-RIGHT SAFETY (12 FOOT)



**DKHB ROTARY HEADER
FRAME AND SHIELDS**

133

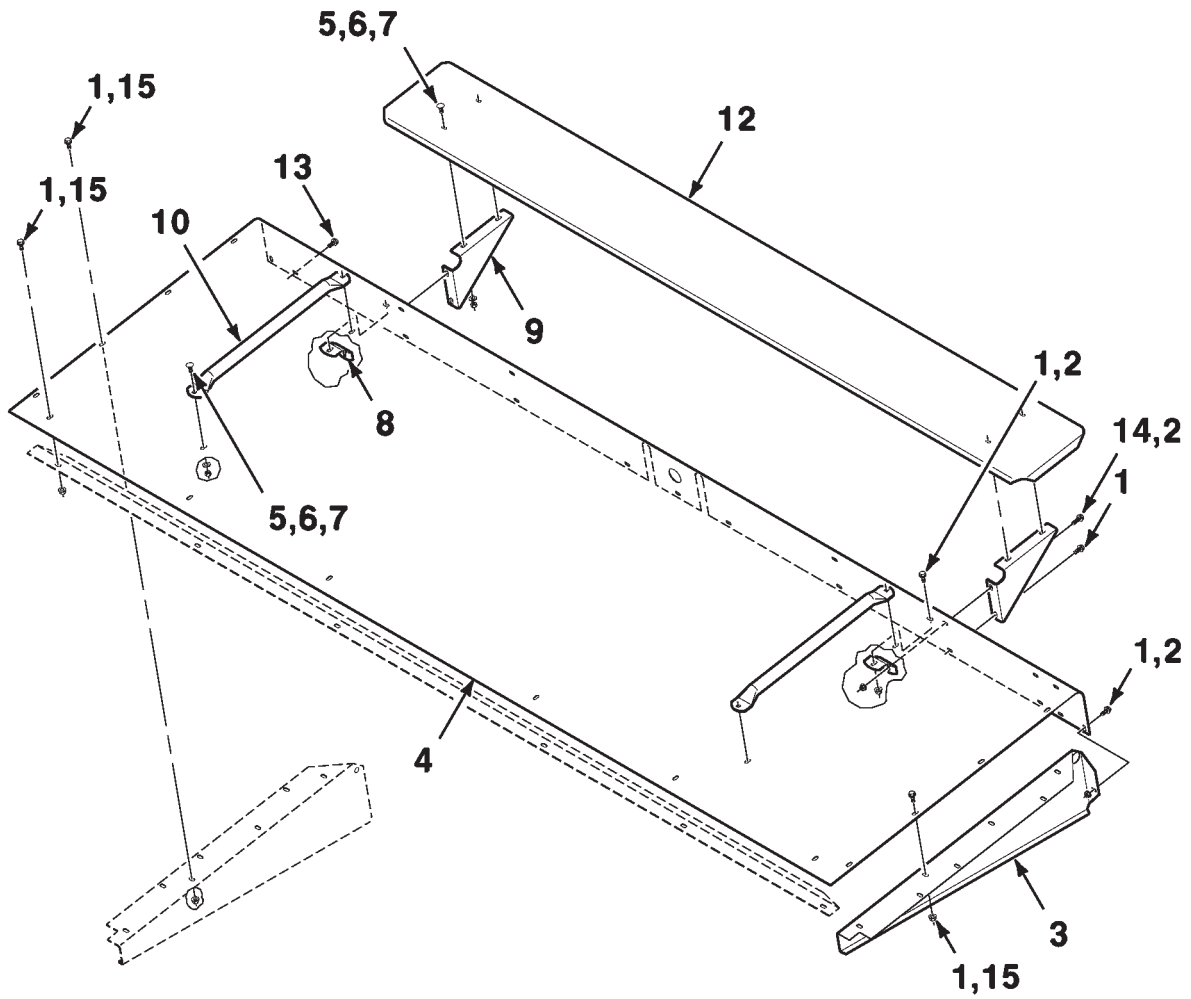
SHIELDS-RIGHT SAFETY (12 FOOT)

ITEM	NUMBER	QTY	DESCRIPTION
1	7883374	12	3/8-16 X 3/4 SCREW-FLANGE
2	700152418P	1	SHIELD-REAR
3	700149913C	1	STRAP WA-REINFORCEMENT
4	700149934	1	STRAP
5	7883325	5	5/16-18 X 3/4 SCREW-FLANGE
6	70931277	7	5/16-18 NUT-LOCK, FLANGE
7	7883333	2	5/16-18 X 1 SCREW-FLANGE
8	7883382	3	3/8-16 X 1 SCREW-FLANGE
9	704247	6	3/8-16 NUT-LOCK, FLANGE
10	700130220C	1	ROD WA
11	700152406C	1	PANEL WA-RIGHT
12	700161097C	1	PANEL WA-RIGHT
13	7883267	2	1/4-20 X 1/2 SCREW-FLANGE
14	70916622	2	1/4-20 NUT
15	700707203	1	No. 12-24 X 3/4 SCREW-FLANGE
16	373839X1	1	No. 12-24 LOCKNUT-SPECIAL
17	700708648	1	BUMPER-RUBBER
18	6124259	2	SPACER
19	700722760	1	ARM WA-PIVOT
20	700154602C	1	SHIELD WA-RIGHT
21	700161572C	1	BULKHEAD-COVER, RIGHT

700161086-2

DKHB ROTARY HEADER
FRAME AND SHIELDS

SHIELDS-CENTER SAFETY (15 FOOT)



**DKHB ROTARY HEADER
FRAME AND SHIELDS**

135

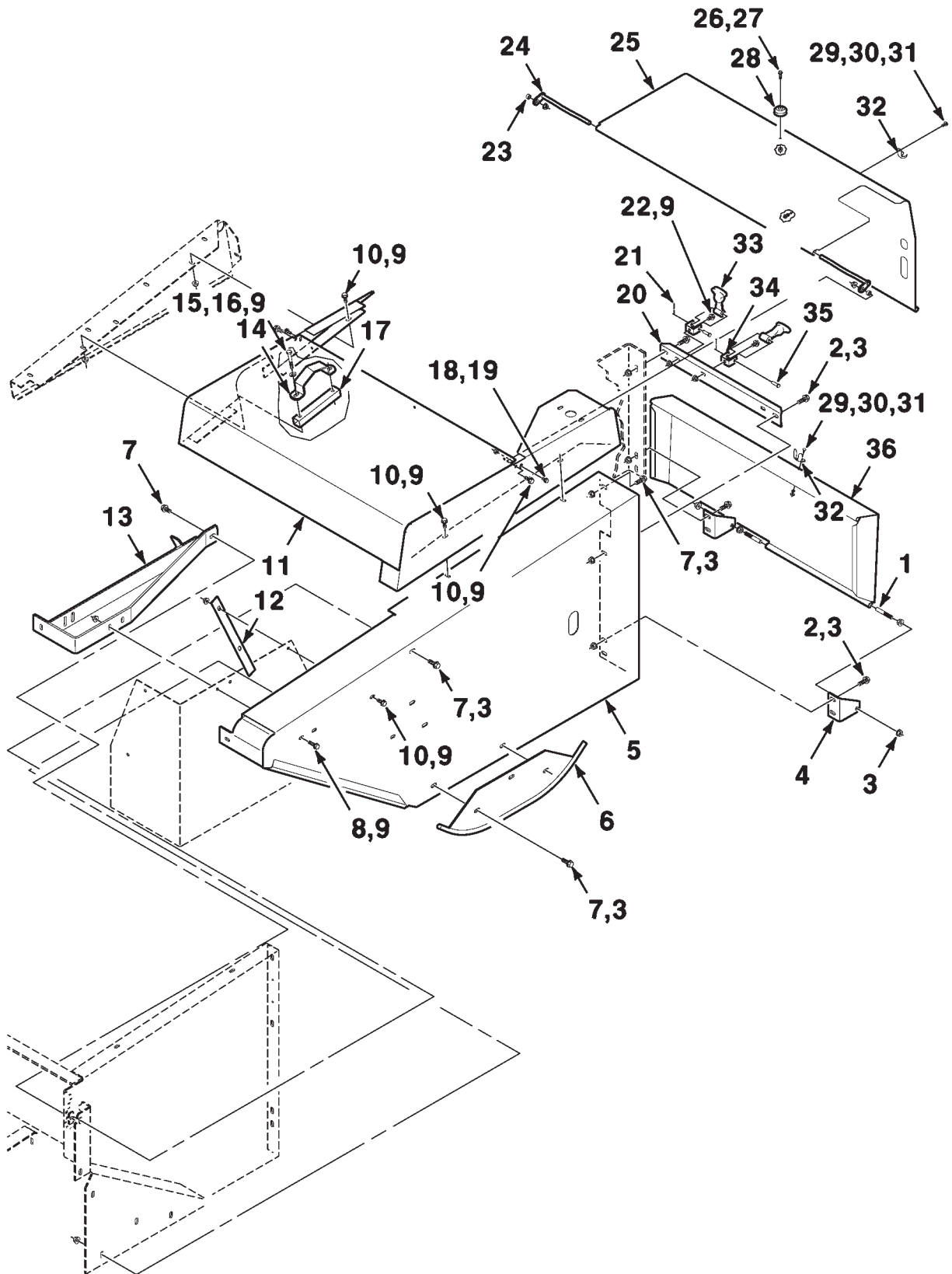
SHIELDS-CENTER SAFETY (15 FOOT)

ITEM	NUMBER	QTY	DESCRIPTION
1	7883325	20	5/16-18 X 3/4 SCREW-FLANGE
2	70931277	6	5/16-18 NUT-LOCK, FLANGE
3	700149937C	1	BULKHEAD-COVER, LEFT
4	700149936C	1	PANEL-COVER, TOP
5	70931333	8	5/16-18 X 3/4 BOLT-CARRIAGE
6	Y705525	8	5/16 HARDENED PLAIN WASHER
7	Y704015	8	5/16-18 NUT
8	700149935	2	SUPPORT-SHIELD
9	700149939P	2	SUPPORT-DECK
10	700149974P	2	TUBE-SUPPORT
12	700149940C	1	PANEL-DECK
13	Y703132	8	5/16-18 X 3/4 SCREW-FLANGE
14	7883333	2	5/16-18 X 1 SCREW-FLANGE
15	Y704726	14	5/16-18 NUT-LOCK, FLANGE GR/G

700149752-2

DKHB ROTARY HEADER
FRAME AND SHIELDS

SHIELDS-LEFT SAFETY (15 FOOT)



**DKHB ROTARY HEADER
FRAME AND SHIELDS**

137

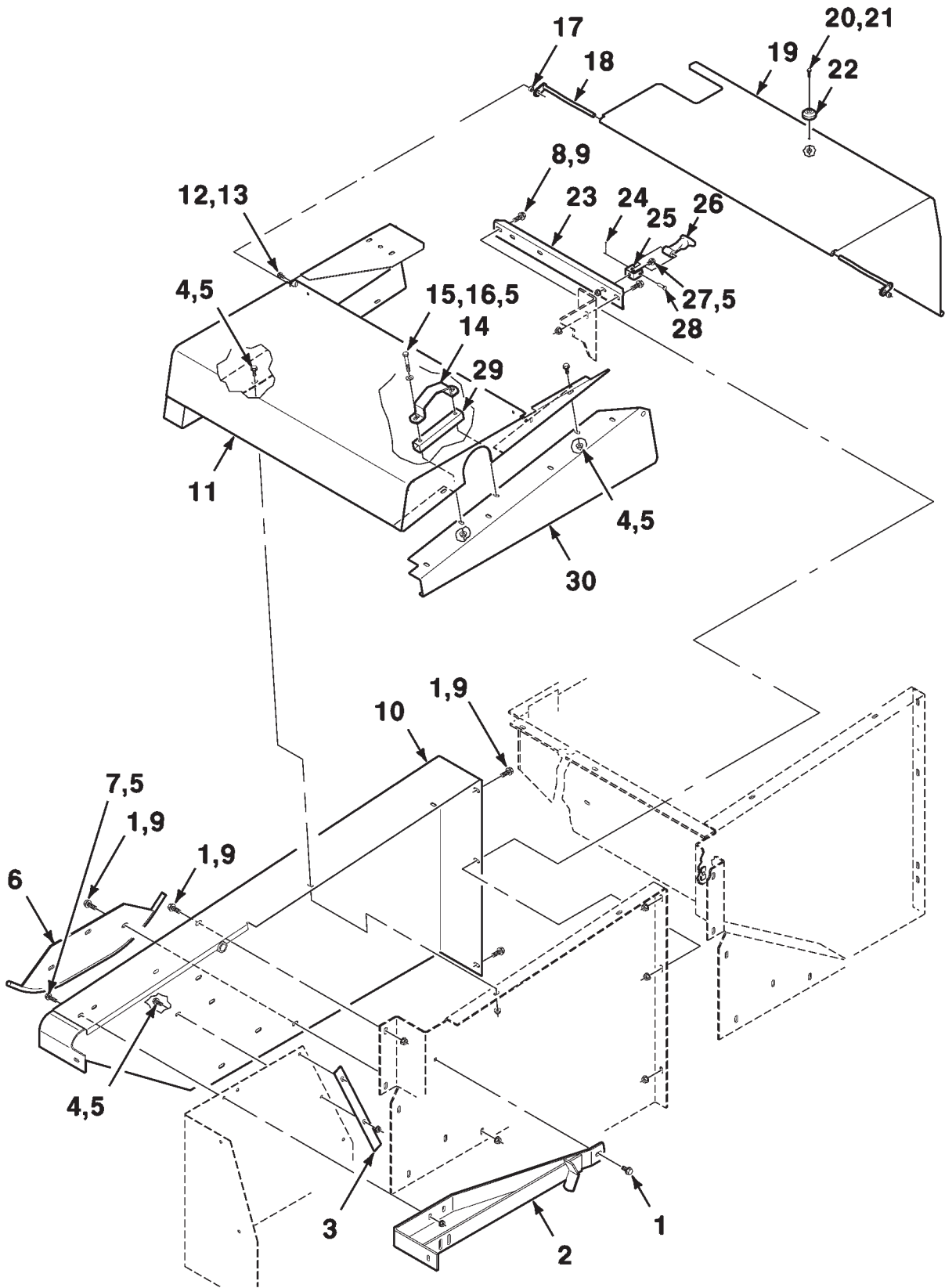
SHIELDS-LEFT SAFETY (15 FOOT)

ITEM	NUMBER	QTY	DESCRIPTION
1	700149932	2	PIN-PIVOT
2	7883382	6	3/8-16 X 1 SCREW-FLANGE
3	704247	17	3/8-16 NUT-LOCK, FLANGE
4	700149931	2	SUPPORT-SHIELD, REAR
5	700149910C	1	PANEL WA-LEFT
6	700130220C	1	ROD WA
7	7883374	8	3/8-16 X 3/4 SCREW-FLANGE
8	7883333	2	5/16-18 X 1 SCREW-FLANGE
9	70931277	13	5/16-18 NUT-LOCK, FLANGE
10	7883325	7	5/16-18 X 3/4 SCREW-FLANGE
11	700158623C	1	PANEL WA-LEFT
12	700149934	1	STRAP
13	700149913C	1	STRAP WA-REINFORCEMENT
14	700160898	1	RETAINER-HYD HOSE
15	70921978	2	5/16-18 X 2 CAPSCREW
16	Y705525	2	5/16 HARDENED PLAIN WASHER
17	700149973	1	TUBE-SPACER
18	7883267	2	1/4-20 X 1/2 SCREW-FLANGE
19	70916622	2	1/4-20 NUT
20	700149929C	1	CHANNEL
21	70919313	2	3/32 X 1/2 COTTER PIN
22	7883317	2	5/16-18 X 1/2 SCREW-FLANGE
23	6124259	1	SPACER
24	700722760	2	ARM WA-PIVOT
25	700149961C	1	PANEL-SHIELD, LEFT
26	700707203	1	No. 12-24 X 3/4 SCREW-FLANGE
27	373839X1	1	No. 12-24 LOCKNUT-SPECIAL
28	700708648	1	BUMPER-RUBBER
29	700700628	2	No. 10-24 X 1/2 SCREW GR60M
30	705004	2	No. 10 WASHER-SPRING
31	Y704072	2	No. 10-24 NUT GR2
32	8722910	2	BRACKET
33	776682	2	HOOK-RUBBER
34	776674	2	ANCHOR
35	63784	2	1/4 X 1-1/2 CLEVIS PIN
36	700149960C	1	PANEL-SHIELD

700158615-1

DKHB ROTARY HEADER
FRAME AND SHIELDS

SHIELDS-RIGHT SAFETY (15 FOOT)



**DKHB ROTARY HEADER
FRAME AND SHIELDS**

139

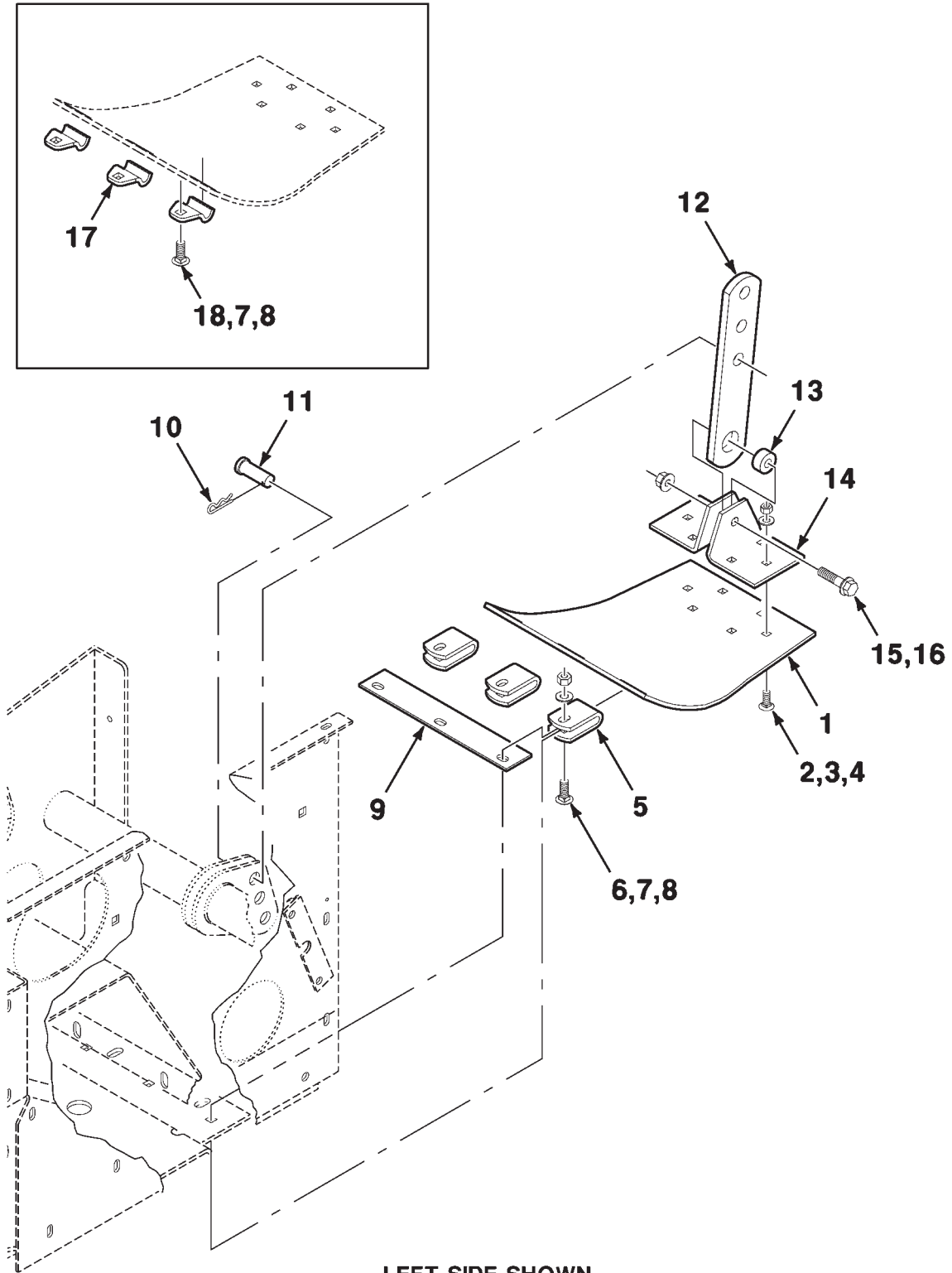
SHIELDS-RIGHT SAFETY (15 FOOT)

ITEM	NUMBER	QTY	DESCRIPTION
1	7883374	9	3/8-16 X 3/4 SCREW-FLANGE
2	700149913C	1	STRAP WA-REINFORCEMENT
3	700149934	1	STRAP
4	7883325	5	5/16-18 X 3/4 SCREW-FLANGE
5	70931277	10	5/16-18 NUT-LOCK, FLANGE
6	700130220C	1	ROD WA
7	7883333	2	5/16-18 X 1 SCREW-FLANGE
8	7883382	2	3/8-16 X 1 SCREW-FLANGE
9	704247	10	3/8-16 NUT-LOCK, FLANGE
10	700149917C	1	PANEL WA-RIGHT
11	700158625C	1	PANEL WA-RIGHT
12	7883267	2	1/4-20 X 1/2 SCREW-FLANGE
13	70916622	2	1/4-20 NUT
14	700160898	1	RETAINER-HYD HOSE
15	70921978	2	5/16-18 X 2 CAPSCREW
16	Y705525	2	5/16 HARDENED PLAIN WASHER
17	6124259	2	SPACER
18	700722760	2	ARM WA-PIVOT
19	700149962C	1	PANEL-SHIELD, RIGHT
20	700707203	1	No. 12-24 X 3/4 SCREW-FLANGE
21	373839X1	1	No. 12-24 LOCKNUT-SPECIAL
22	700708648	1	BUMPER-RUBBER
23	700149929C	1	CHANNEL
24	70919313	1	3/32 X 1/2 COTTER PIN
25	776674	1	ANCHOR
26	776682	1	HOOK-RUBBER
27	7883317	1	5/16-18 X 1/2 SCREW-FLANGE
28	63784	1	1/4 X 1-1/2 CLEVIS PIN
29	700149973	1	TUBE-SPACER
30	700149938P	1	BULKHEAD-COVER, RIGHT

700158615-3

DKHB ROTARY HEADER
FRAME AND SHIELDS

SKID SHOE-LEFT AND RIGHT (15 FOOT)



**DKHB ROTARY HEADER
FRAME AND SHIELDS**

141

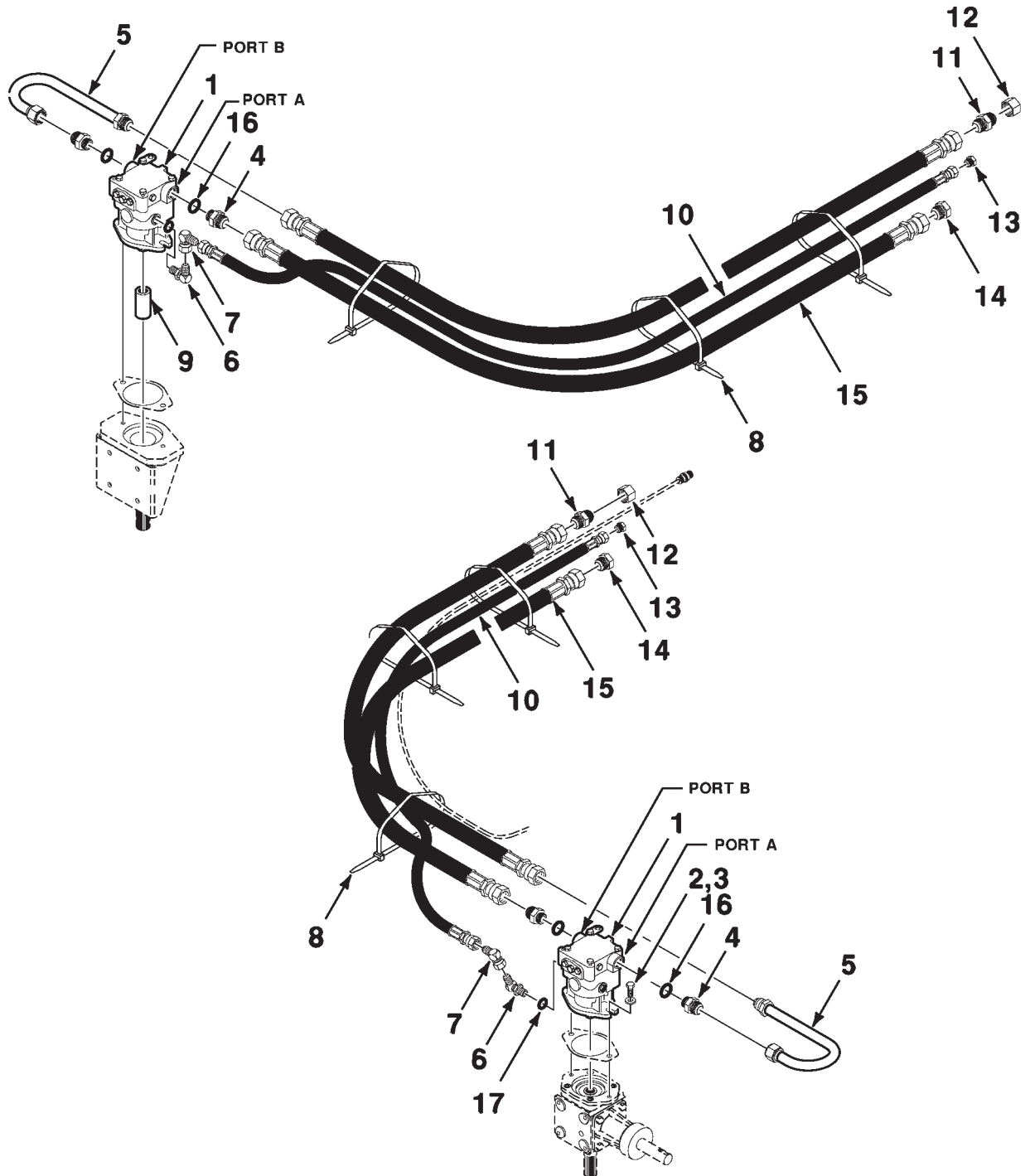
SKID SHOE-LEFT AND RIGHT (15 FOOT)

ITEM	NUMBER	QTY	DESCRIPTION
1	700721421	2	SKID SHOE
2	Y707042	12	3/8-16 X 1 PLOW BOLT
3	Y705533	12	3/8 HARDENED PLAIN WASHER
4	70916950	12	3/8-16 NUT
5	700161548	6	CLIP-SKIDSHOE
6	707265	6	7/16-14 X 1-1/2 PLOW BOLT
7	Y705558	12	7/16 HARDENED PLAIN WASHER
8	Y704080	12	7/16-14 NUT
9	700161549B	2	STRAP-SPACER
10	98-2107	2	.148 WIRE HAIR PIN COTTER
11	763177	2	3/4 X 2 CLEVIS PIN
12	700160951C	2	STRAP
13	6235071B	2	BUSHING
14	700160953C	4	ANGLE-MOUNTING
15	8701534	2	1/2-13 X 2 SCREW-FLANGE GR8
16	704858	2	1/2-13 NUT-LOCK GR/B
17	6453799P	6	CLIP-SKID SHOE
18	70923061	6	7/16-14 X 1-1/4 BOLT-CARRIAGE

700160899-0

DKHB ROTARY HEADER
HYDRAULICS

HYDRAULIC DRIVE (12 FOOT)
(S.N. HM05101 THRU HP05100)



**DKHB ROTARY HEADER
HYDRAULICS**

143

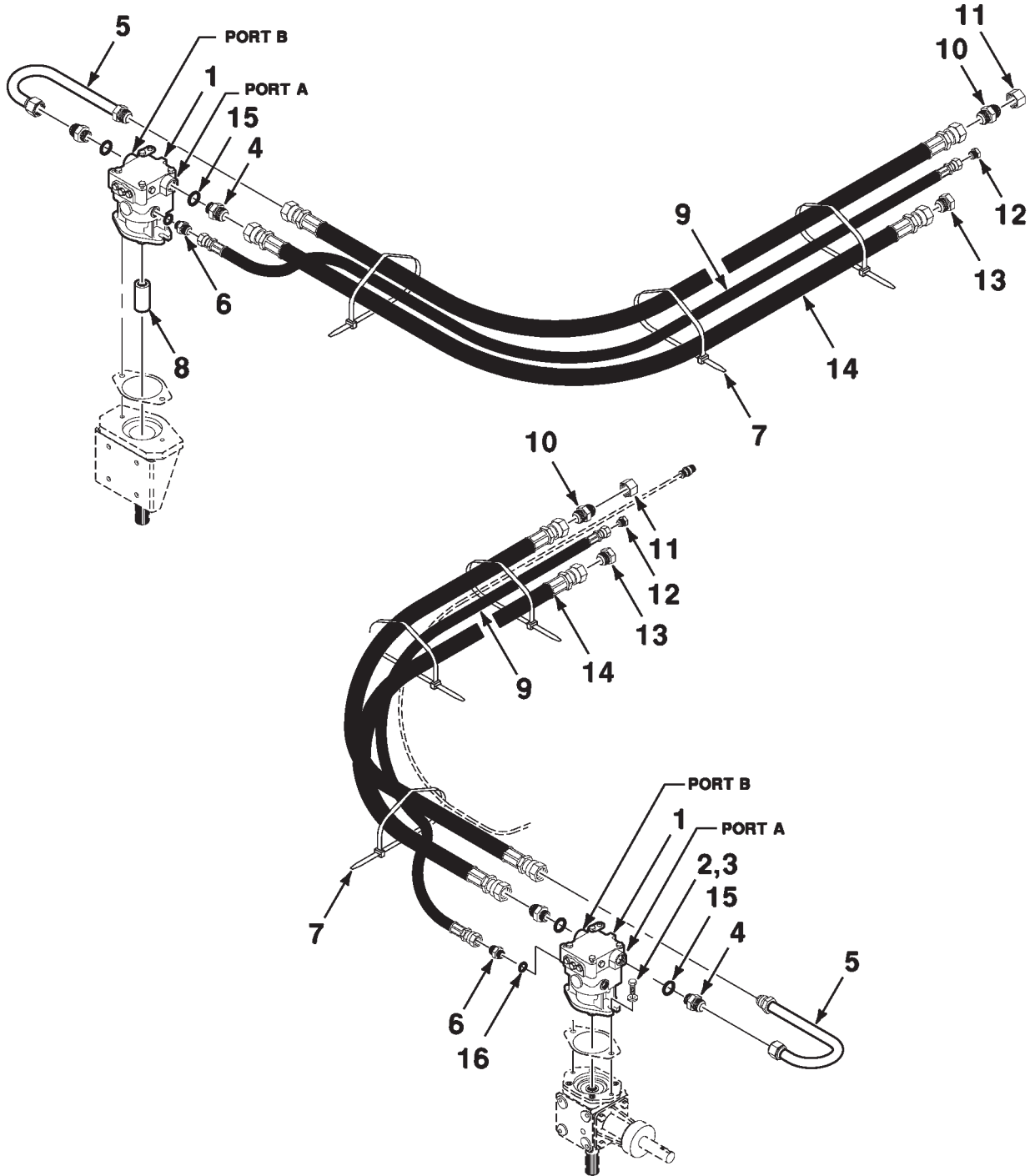
**HYDRAULIC DRIVE (12 FOOT)
(S.N. HM05101 THRU HP05100)**

ITEM	NUMBER	QTY	DESCRIPTION
1	700725088	2	MOTOR ASSEMBLY-HYDRAULIC
2	70921176	4	1/2-13 X 1-1/4 CAPSCREW
3	705541	4	1/2 HARDENED PLAIN WASHER
4	70923174	4	1-5/16 X 1-1/16 CONNECTOR (Includes O-Ring)
5	700725073	2	LINE-HYDRAULIC
6	70921327	2	7/8 X 7/8 X 90 Degree ELBOW (Includes O-Ring)
7	700701624	2	7/8 X 7/8 X 90 Degree SWIVEL ELBOW
8	70937133	6	TIE-NYLON
9	700149879	1	COUPLER
10	700721538	2	3/4 I.D. HOSE-HYDRAULIC
11	8046146	2	1-5/16 X 1-5/16 CONNECTOR
12	700711183	2	1-5/16-12 CAP
13	70924290	2	7/8-14 HEX HEAD PLUG
14	700710811	2	1-5/16-12 HEX HEAD PLUG
15	700725053	4	1 I.D. HOSE ASSEMBLY
16	70921206	AR	.924 I.D. O-RING
17	70921205	AR	.755 I.D. O-RING

700161085-1

DKHB ROTARY HEADER
HYDRAULICS

HYDRAULIC DRIVE (15 FOOT)
(S.N. HM05101 THRU HP05100)



**DKHB ROTARY HEADER
HYDRAULICS**

145

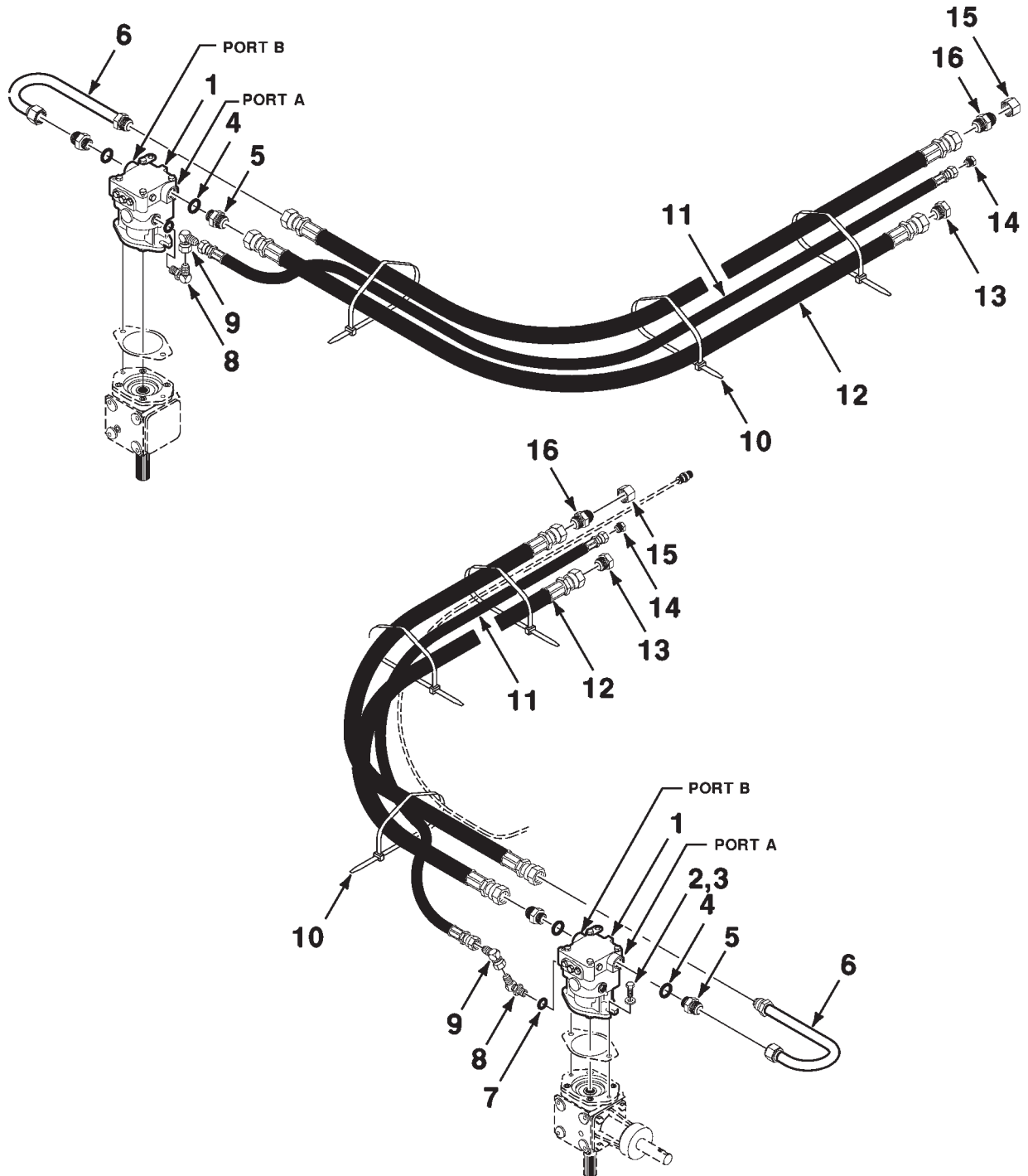
**HYDRAULIC DRIVE (15 FOOT)
(S.N. HM05101 THRU HP05100)**

ITEM	NUMBER	QTY	DESCRIPTION
1	700725088	2	MOTOR-FIXED, HYDRAULIC
2	70921176	4	1/2-13 X 1-1/4 CAPSCREW
3	705541	4	1/2 HARDENED PLAIN WASHER
4	70923174	4	1-5/16 X 1-1/16 CONNECTOR (Includes O-Ring)
5	700725073	2	LINE-HYDRAULIC
6	70921326	2	7/8-14 X 7/8-14 CONNECTOR (Includes O-Ring)
7	70937133	6	TIE-NYLON
8	700149879	1	COUPLER
9	700725052	2	3/4 I.D. HOSE-HYDRAULIC
10	8046146	2	1-5/16 X 1-5/16 CONNECTOR
11	700711183	2	1-5/16-12 CAP
12	70924290	2	7/8-14 HEX HEAD PLUG
13	700710811	2	1-5/16-12 HEX HEAD PLUG
14	700706817	4	1 I.D. HOSE ASSEMBLY
15	70921206	AR	.924 I.D. O-RING
16	70921205	AR	.755 I.D. O-RING

700158616-3

DKHB ROTARY HEADER
HYDRAULICS

HYDRAULIC DRIVE (12 FOOT)
(S.N. HP05101 AND LATER)



DKHB ROTARY HEADER
HYDRAULICS

147

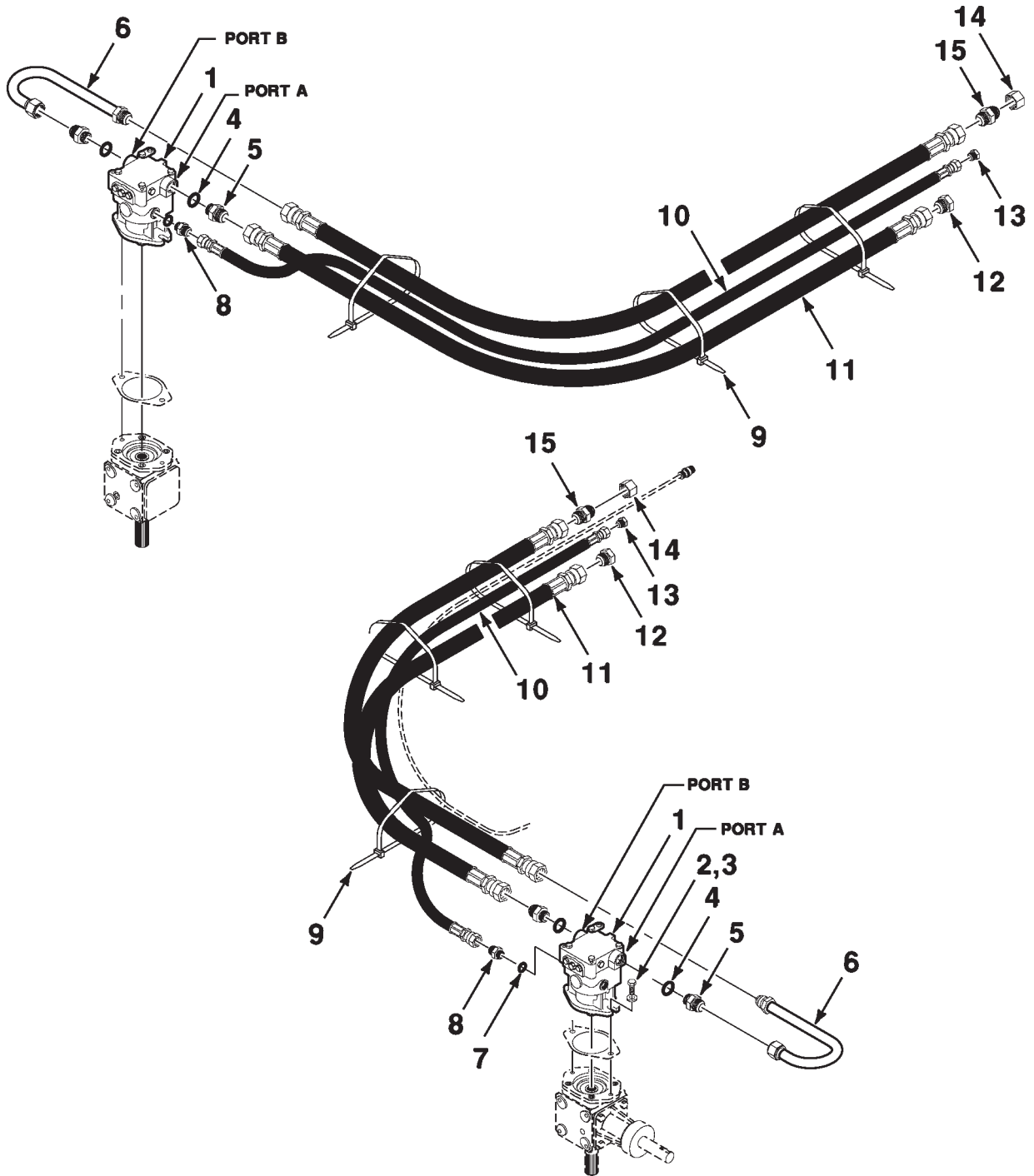
HYDRAULIC DRIVE (12 FOOT)
(S.N. HP05101 AND LATER)

ITEM	NUMBER	QTY	DESCRIPTION
1	700725088	2	MOTOR ASSEMBLY-HYDRAULIC
2	70921176	4	1/2-13 X 1-1/4 CAPSCREW
3	705541	4	1/2 HARDENED PLAIN WASHER
4	70921206	AR	.924 I.D. O-RING
5	70923174	4	1-5/16 X 1-1/16 CONNECTOR (Includes O-Ring)
6	700725073	2	LINE-HYDRAULIC
7	70921205	AR	.755 I.D. O-RING
8	70921327	2	7/8 X 7/8 X 90 Degree ELBOW (Includes O-Ring)
9	700701624	2	7/8 X 7/8 X 90 Degree SWIVEL ELBOW
10	70937133	6	TIE-NYLON
11	700721538	2	3/4 I.D. HOSE-HYDRAULIC
12	700725053	4	1 I.D. HOSE ASSEMBLY
13	700710811	2	1-5/16-12 HEX HEAD PLUG
14	70924290	2	7/8-14 HEX HEAD PLUG
15	700711183	2	1-5/16-12 CAP
16	8046146	2	1-5/16 X 1-5/16 CONNECTOR

700161085-3

DKHB ROTARY HEADER
HYDRAULICS

HYDRAULIC DRIVE (15 FOOT)
(S.N. HP05101 AND LATER)



**DKHB ROTARY HEADER
HYDRAULICS**

149

**HYDRAULIC DRIVE (15 FOOT)
(S.N. HP05101 AND LATER)**

ITEM	NUMBER	QTY	DESCRIPTION
1	700725088	2	MOTOR-FIXED, HYDRAULIC
2	70921176	4	1/2-13 X 1-1/4 CAPSCREW
3	705541	4	1/2 HARDENED PLAIN WASHER
4	70921206	AR	.924 I.D. O-RING
5	70923174	4	1-5/16 X 1-1/16 CONNECTOR (Includes O-Ring)
6	700725073	2	LINE-HYDRAULIC
7	70921205	AR	.755 I.D. O-RING
8	70921326	2	7/8-14 X 7/8-14 CONNECTOR (Includes O-Ring)
9	70937133	6	TIE-NYLON
10	700725052	2	3/4 I.D. HOSE-HYDRAULIC
11	700706817	4	1 I.D. HOSE ASSEMBLY
12	700710811	2	1-5/16-12 HEX HEAD PLUG
13	70924290	2	7/8-14 HEX HEAD PLUG
14	700711183	2	1-5/16-12 CAP
15	8046146	2	1-5/16 X 1-5/16 CONNECTOR

700158616-4

**DKHB ROTARY HEADER
HYDRAULICS**

151

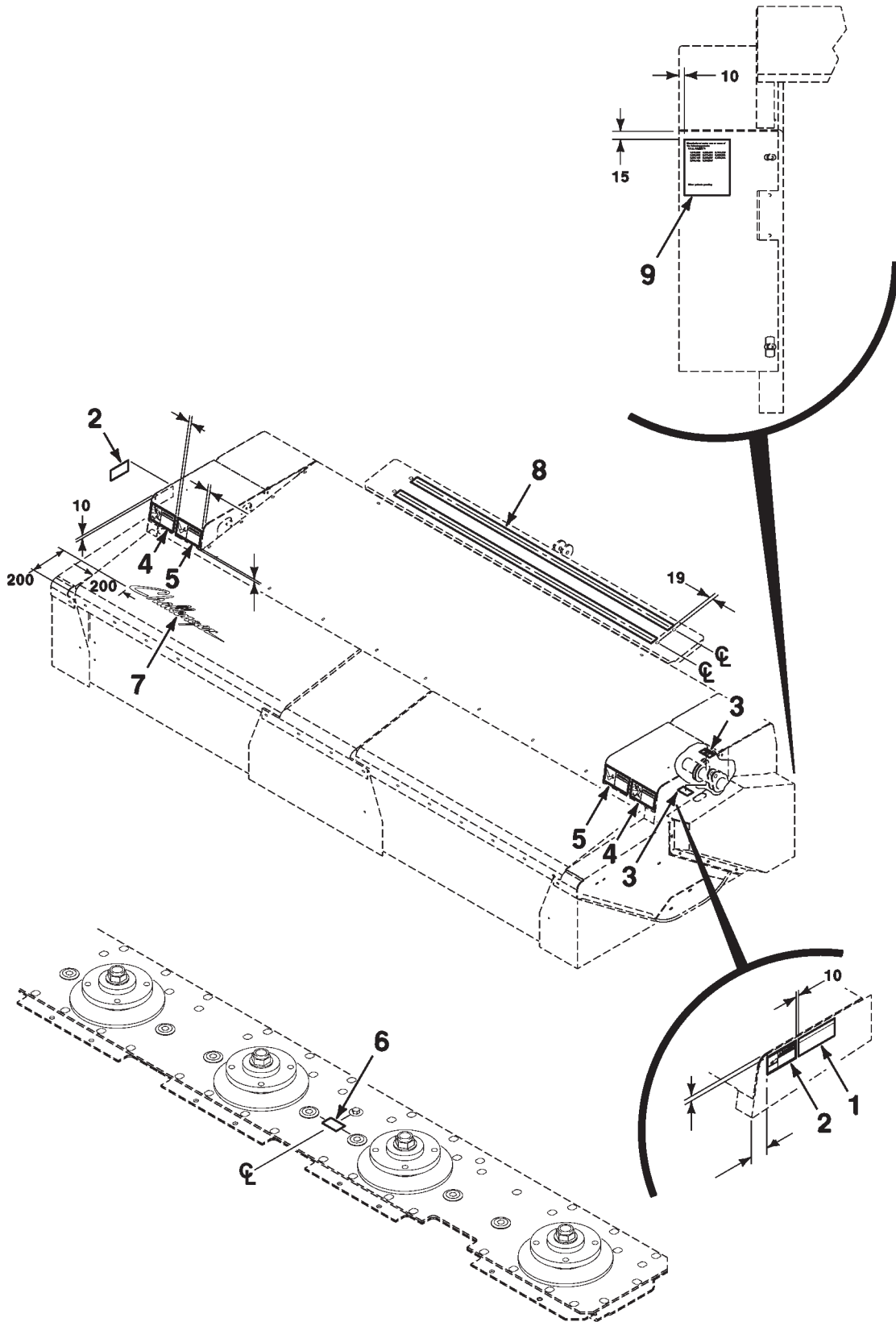
**HYDRAULIC MOTOR ASSEMBLY
(700725088 HYDRAULIC MOTOR ASSEMBLY)**

ITEM	NUMBER	QTY	DESCRIPTION
-	700725088	1	HYDRAULIC MOTOR ASSEMBLY
1	700722858	2	REATAINING RING
2	71355384	2	RETAINING RING
3	71355386	1	BALL BEARING
4	700722859	1	SHAFT
5	1077960M1	1	SHUTTLE SPOOL
6	700722860	1	BEARING-NEEDLE
7	700722866	1	VALVE PLATE
8	700722865	1	CYLINDER BLOCK KIT
9	700722852	4	PIN-SLIPPER HOLD DOWN
10	700722853	1	GUIDE-SLIPPER RETAINER
11	700722854	9	PISTON ASSEMBLY
12	700722851	1	THRUST PLATE
13	700722855	1	O-RING AND SEAL REPAIR KIT (Includes Items Marked with Asterisk *)

700725088-0

DKHB ROTARY HEADER
DECALS AND KITS

DECALS AND LOCATION DIAGRAM (12 FOOT)



**DKHB ROTARY HEADER
DECALS AND KITS**

153

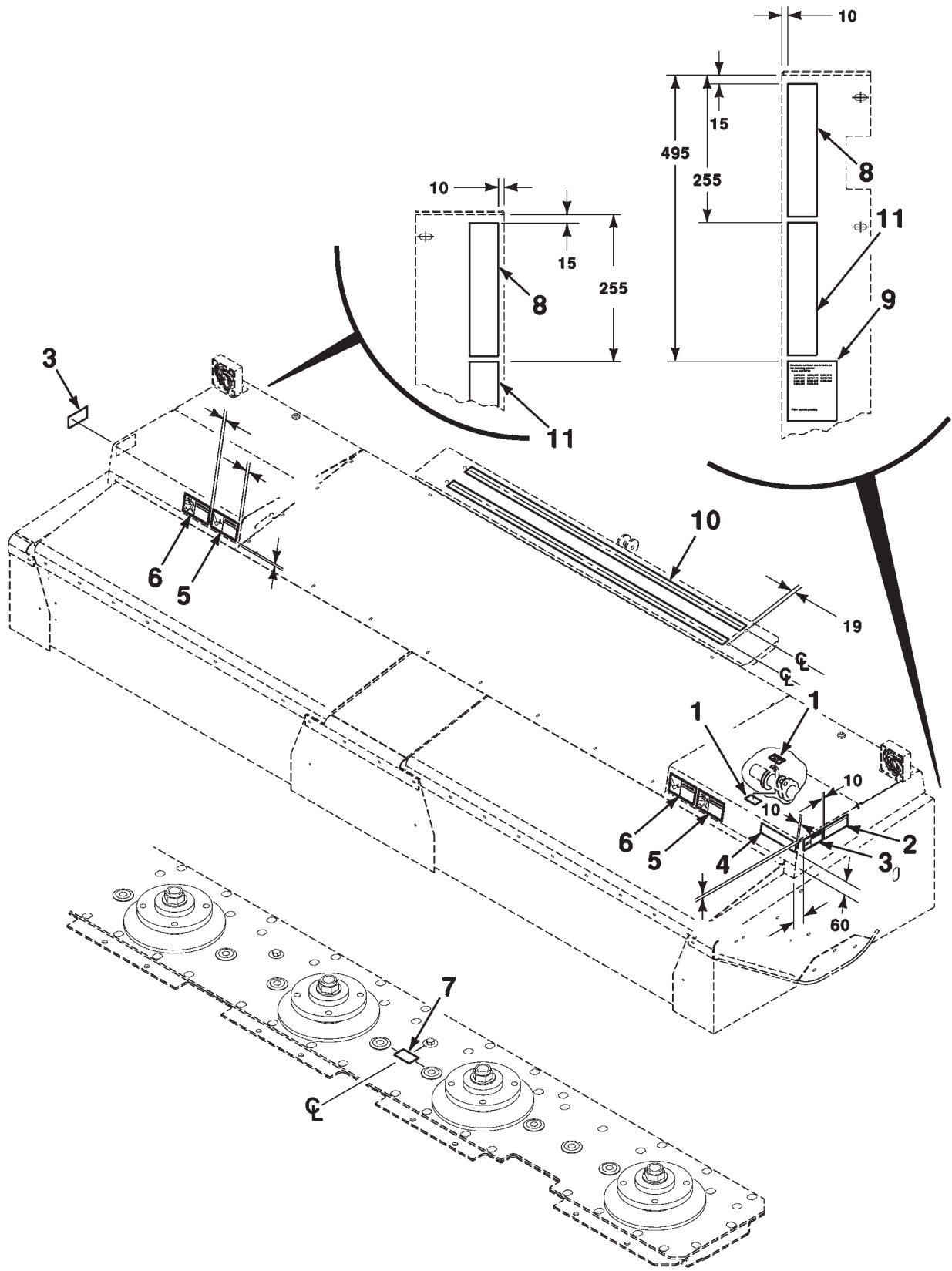
DECALS AND LOCATION DIAGRAM (12 FOOT)

ITEM	NUMBER	QTY	DESCRIPTION
1	700714138	1	DECAL-NOTICE
2	700713551	2	DECAL-DANGER
3	700713522	4	DECAL-TIE
4	700714362	2	DECAL-WARNING
5	700714361	2	DECAL-WARNING
6	700713252	1	DECAL-FACTORY FILLED
7	700723231	1	DECAL-CHALLENGER
8	6849178	2	TREAD-SAFETY (10 FOOT BULK)
9	700716119	1	DECAL-PATENTS

700161089-0

DKHB ROTARY HEADER
DECALS AND KITS

DECALS AND LOCATION DIAGRAM (15 FOOT)



**DKHB ROTARY HEADER
DECALS AND KITS**

155

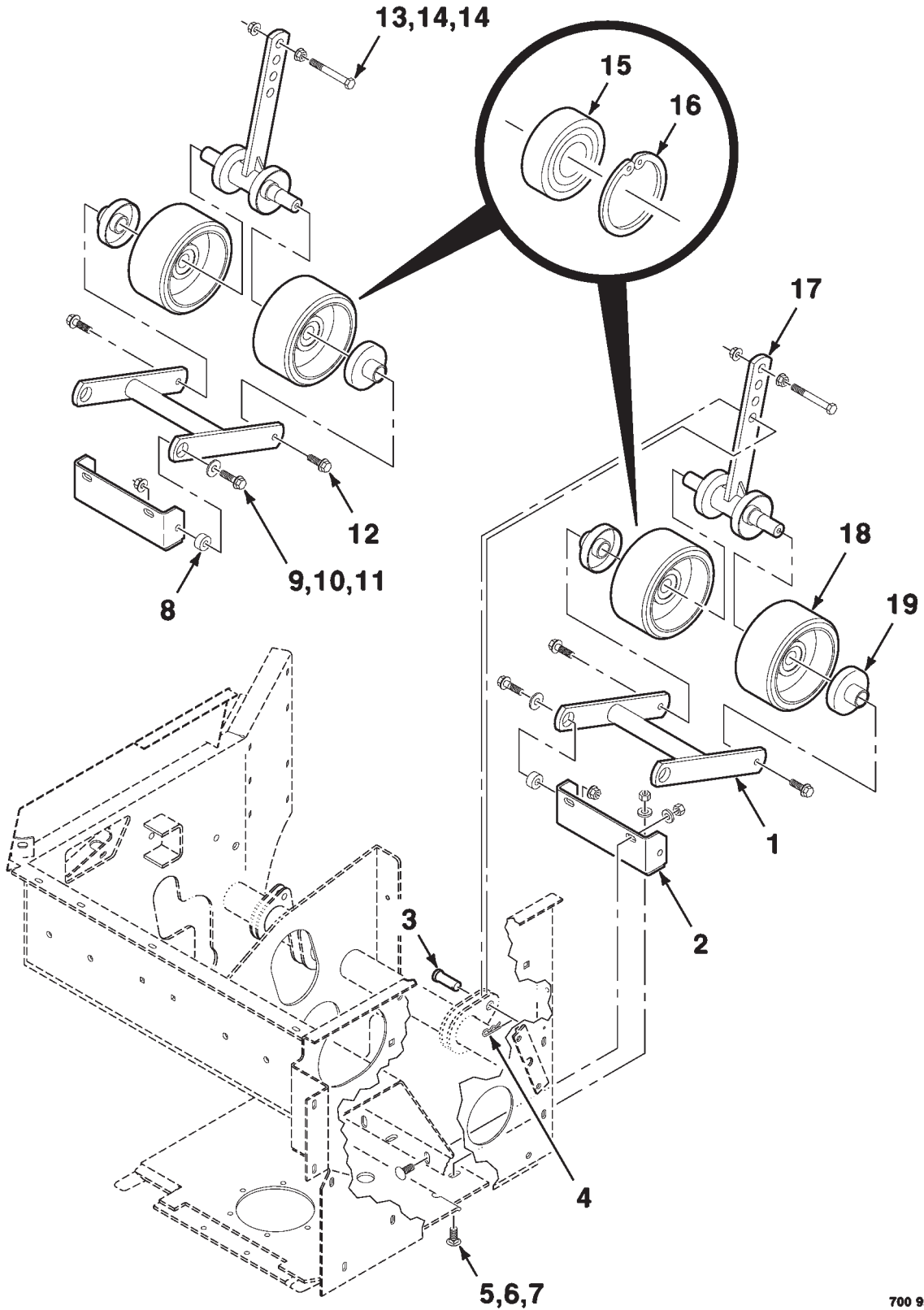
DECALS AND LOCATION DIAGRAM (15 FOOT)

ITEM	NUMBER	QTY	DESCRIPTION
1	700713522	4	DECAL-TIE
2	700714138	1	DECAL-NOTICE
3	700713551	2	DECAL-DANGER
4	700717403	1	REFLECTOR-AMBER
5	700714362	2	DECAL-WARNING
6	700714361	2	DECAL-WARNING
7	700713252	1	DECAL-FACTORY FILLED
8	700717402	2	REFLECTOR-RED
9	700716119	1	DECAL-PATENTS
10	6849178	1	TREAD-SAFETY (10 FOOT BULK)
11	700717404	2	REFLECTOR-RED-ORANGE

700160904-0

DKHB ROTARY HEADER
DECALS AND KITS

GAUGE WHEEL KIT (15 FOOT)
(BK11096 GAUGE WHEEL KIT)



**DKHB ROTARY HEADER
DECALS AND KITS**

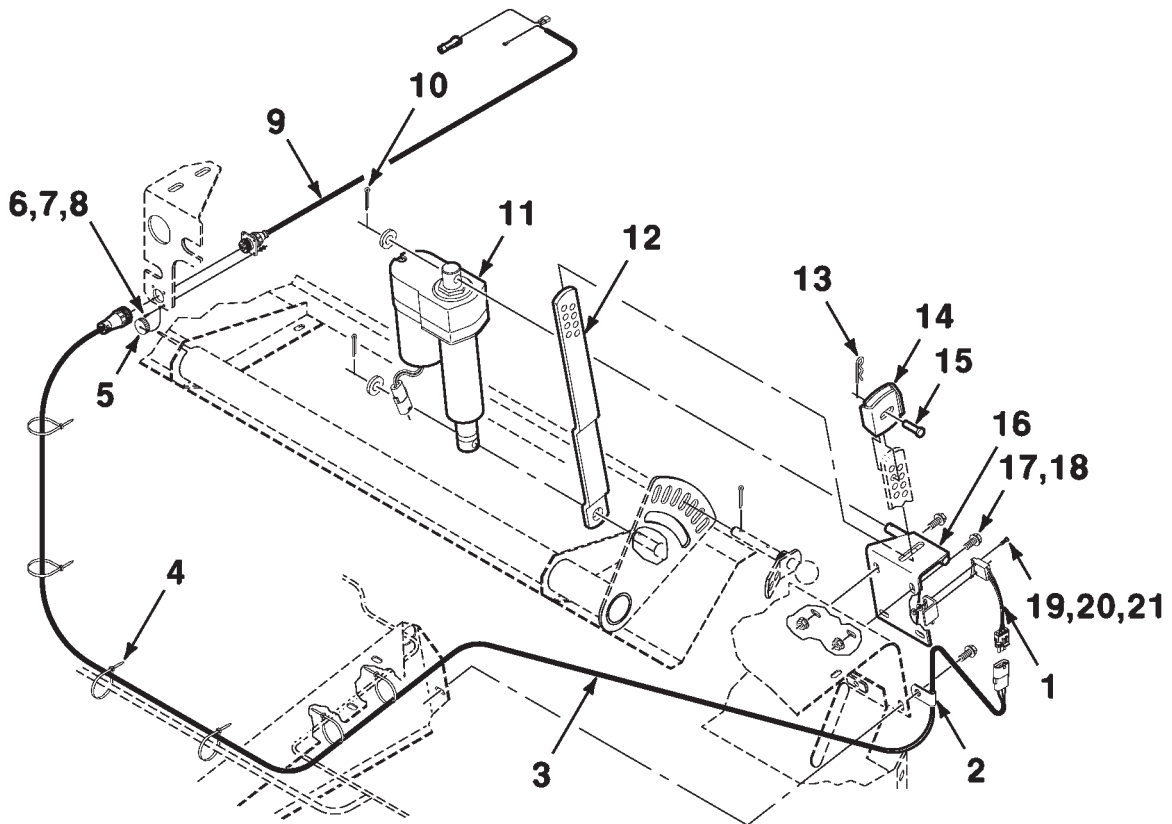
157

**GAUGE WHEEL KIT (15 FOOT)
(BK11096 GAUGE WHEEL KIT)**

ITEM	NUMBER	QTY	DESCRIPTION
-	BK11096	1	GAUGE WHEEL KIT (WHOLEGOODS ONLY)
1	700156546B	2	STRAP WA
2	700130291B	2	ANGLE
3	763177	2	3/4 X 2 CLEVIS PIN
4	98-2107	2	.148 WIRE HAIR PIN COTTER
5	68619	8	1/2-13 X 1-1/4 BOLT-CARRIAGE
6	705541	8	1/2 HARDENED PLAIN WASHER
7	704031	8	1/2-13 NUT
8	6235071B	4	BUSHING
9	7883432	4	1/2-13 X 1-3/4 SCREW-FLANGE GR8
10	700711557	4	1/2 HARDENED WIDE PLAIN WASHER
11	Y704742	4	1/2-13 NUT-LOCK, FLANGE GR/G
12	700710982	4	5/8-11 X 2 SCREW-FLANGE GR8
13	70923502	2	1/2-13 X 4 CAPSCREW
14	704254	4	1/2-13 NUT-LOCK, FLANGE
15	700709106	1	BEARING-DOUBLE ROW
16	700709189	1	RING-RETAINING
17	700158639B	2	AXLE WA
18	700119691	4	WHEEL ASSEMBLY (Includes Items 15 and 16)
19	700158643B	4	TUBE WA

700951669-0

SWATHBOARD ACTUATOR KIT
(BK11097 SWATHBOARD ACTUATOR KIT)



**DKHB ROTARY HEADER
DECALS AND KITS**

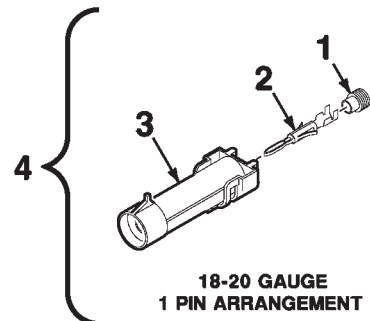
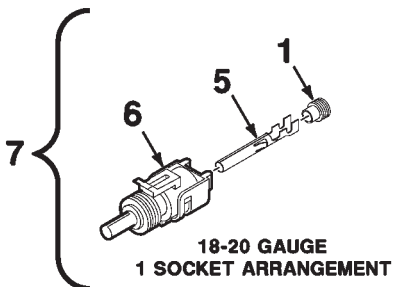
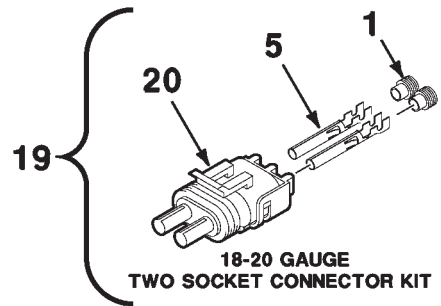
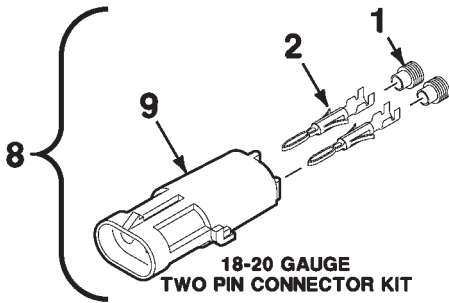
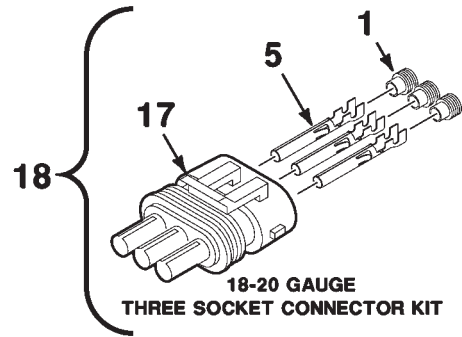
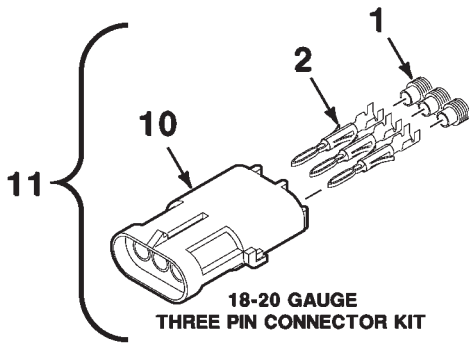
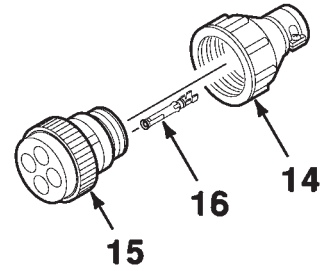
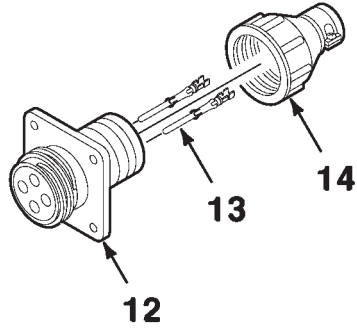
159

**SWATHBOARD ACTUATOR KIT
(BK11097 SWATHBOARD ACTUATOR KIT)**

ITEM	NUMBER	QTY	DESCRIPTION
-	BK11097	1	SWATHBOARD ACTUATOR KIT (WHOLEGOODS ONLY)
1	700715254	1	SWITCH-SENSOR
2	70928654	1	CLAMP
3	700721565	1	HARNESS-WIRE
4	70925442	6	TIE-CABLE
5	700713526	1	CAP-SEALING
6	700707770	4	No. 4-40 X 3/8 SCREW GR60M
7	375140X1	4	No. 4 WASHER-SPRING
8	700701035	4	No. 4-40 NUT
9	700721564	1	HARNESS-WIRE
10	70918451	3	1/8 X 3/4 COTTER PIN
11	700716432	1	ACTUATOR
12	700158636	1	STRAP-STOP
13	62505	1	.120 HAIRPIN COTTER
14	700158637B	1	STOP WA
15	63578	1	3/8 X 1 CLEVIS PIN
16	700158632B	1	SUPPORT WA-ACTUATOR
17	7883325	2	5/16-18 X 3/4 SCREW-FLANGE
18	70931277	2	5/16-18 NUT-LOCK, FLANGE
19	700710188	2	No. 6-32 X 3/4 SCREW GR60M
20	700703830	2	No. 6 PLAIN WASHER
21	704551	2	No. 6-32 NUT GR2

700951736-1

ELECTRICAL HARNESS SERVICE PARTS



**DKHB ROTARY HEADER
DECALS AND KITS**

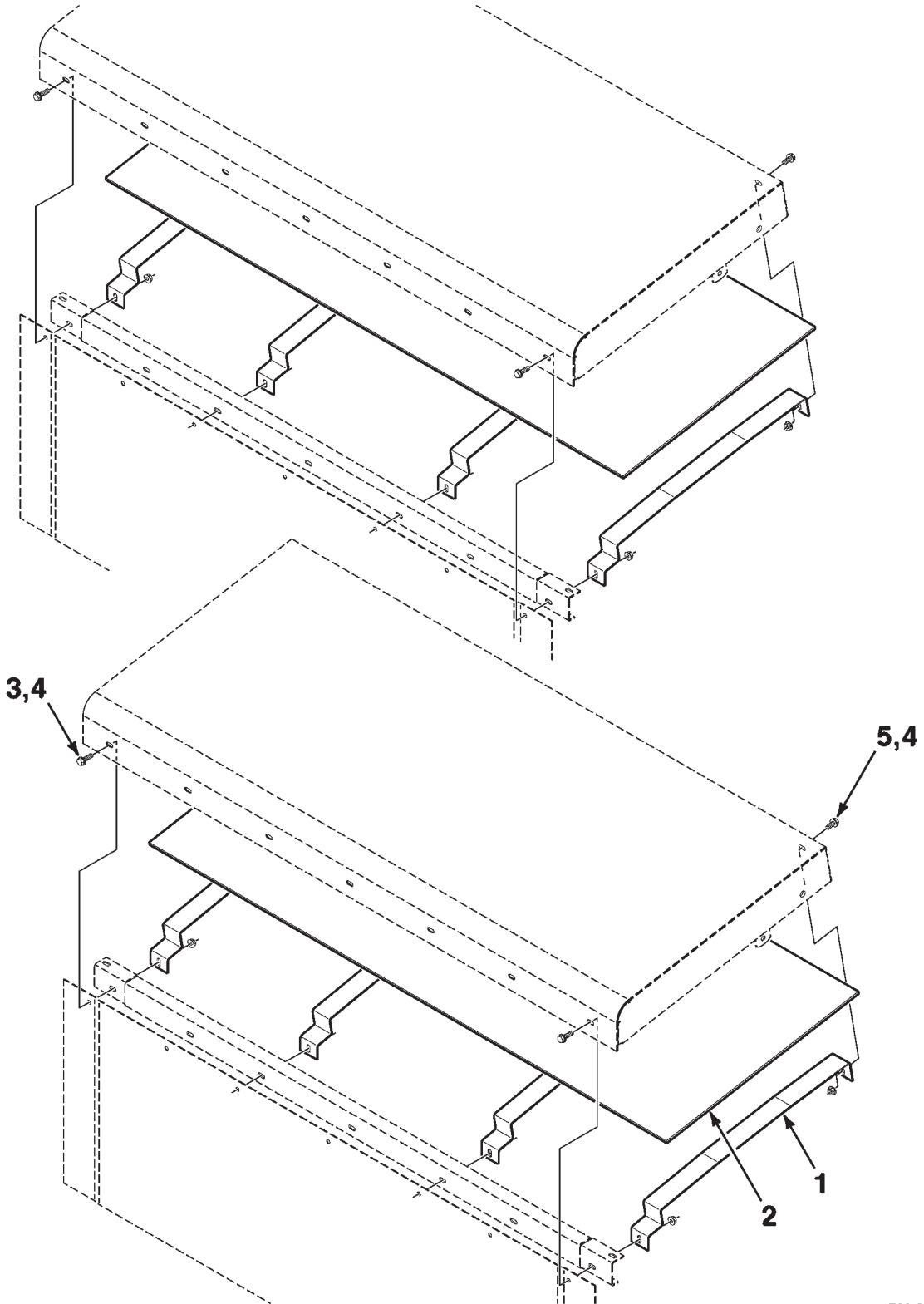
161

ELECTRICAL HARNESS SERVICE PARTS

ITEM	NUMBER	QTY	DESCRIPTION
1	700706400	AR	SEAL (18-20 GAUGE)
2	700706401	AR	PIN-MALE (18-20 GAUGE)
3	700718620	AR	CONNECTOR-1 PIN, MALE
4	700718621	AR	KIT-HARNESS REPAIR, 1 PIN, MALE (Includes Items 1, 2 and 3)
5	700708760	AR	SOCKET-FEMALE (18-20 GAUGE)
6	700718579	AR	CONNECTOR-1 SOCKET, FEMALE
7	700718617	AR	KIT-HARNESS REPAIR, 1 SOCKET, FEMALE (Includes Items 1, 5 and 6)
8	700708753	AR	KIT-HARNESS REPAIR, 2 PIN, MALE (Includes Items 1, 2 and 9)
9	700706399	AR	CONNECTOR-SHROUD, 2 PIN, MALE
10	700706413	AR	CONNECTOR-SHROUD, 3 PIN, MALE
11	700718599	AR	KIT-HARNESS REPAIR, SHROUD, 3 PIN, MALE (Includes Items 1, 2 and 10)
12	700707757	AR	4 PIN AMP RECEPTACLE
13	700708757	AR	PIN-TYPE 3, MALE (16-18 GAUGE)
14	700709233	AR	CLAMP-CABLE, SHELL SIZE 11
15	700709232	AR	PLUG-STANDARD SEX
16	700718607	AR	SOCKET-TYPE 3, FEMALE (14-18 GAUGE)
17	700709175	AR	CONNECTOR-TOWER, 3 SOCKET, FEMALE
18	700707001	AR	KIT-HARNESS REPAIR, 3 SOCKET, FEMALE, (Includes Items 1, 5 and 17)
19	700706999	AR	KIT-HARNESS REPAIR, 2 SOCKET, FEMALE, 18-20 GAUGE (Includes Items 1, 5 and 20)
20	700708761	AR	CONNECTOR-TOWER, 2 SOCKET, FEMALE

700951736-2

DOOR PROTECTOR KIT (12 FOOT)
(BK11030 DOOR PROTECTOR KIT)



**DKHB ROTARY HEADER
DECALS AND KITS**

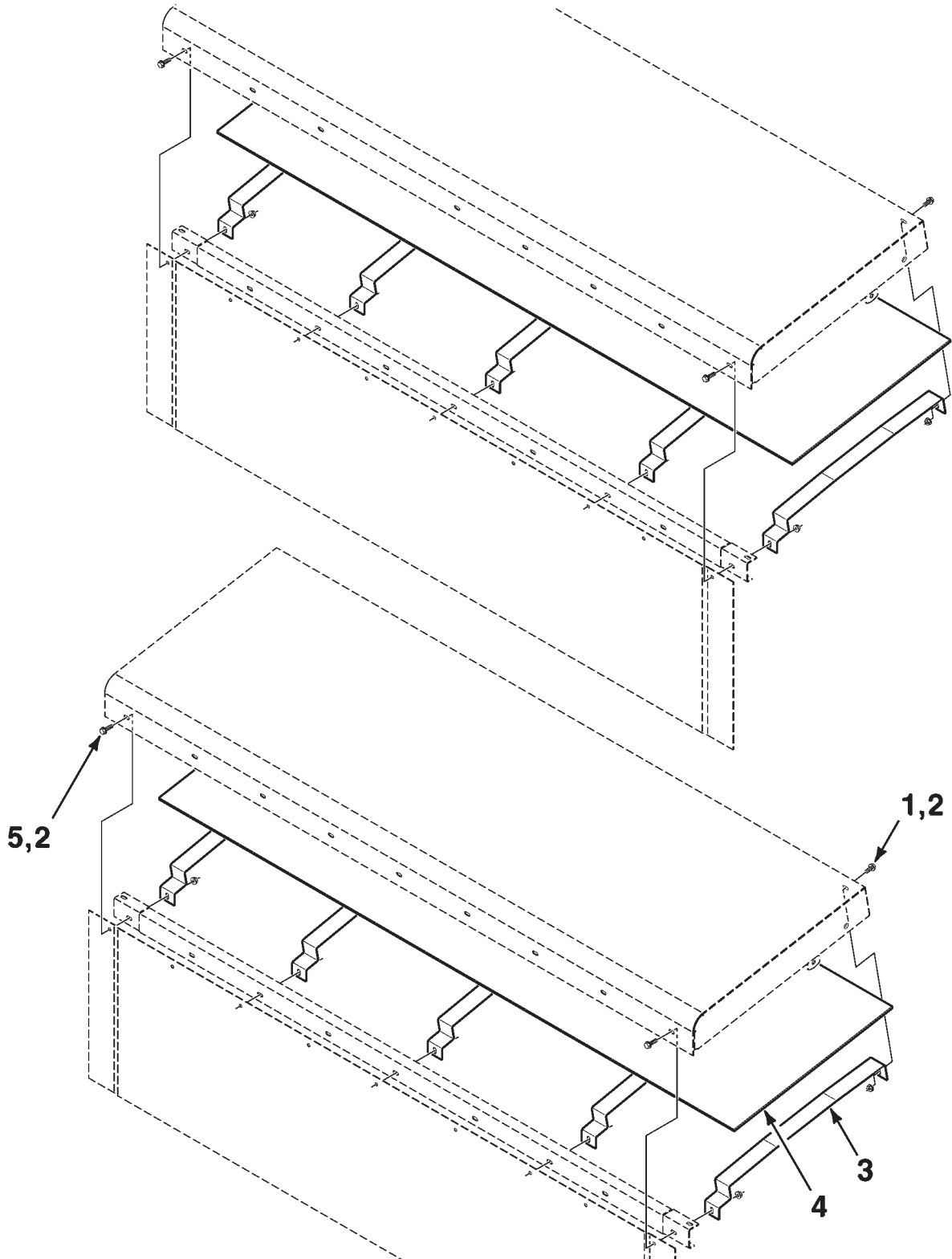
163

**DOOR PROTECTOR KIT (12 FOOT)
(BK11030 DOOR PROTECTOR KIT)**

ITEM	NUMBER	QTY	DESCRIPTION
-	BK11030	1	DOOR PROTECTOR KIT (WHOLEGOODS ONLY)
1	700154018	8	STRAP-SUPPORT
2	700726068	2	PANEL-STYRENE
3	7883333	8	5/16-18 X 1 SCREW-FLANGE
4	70931277	16	5/16-18 NUT-LOCK, FLANGE
5	7883325	8	5/16-18 X 3/4 SCREW-FLANGE

700907472-0

DOOR PROTECTOR KIT (15 FOOT)
(BK11077 DOOR PROTECTOR KIT)



**DKHB ROTARY HEADER
DECALS AND KITS**

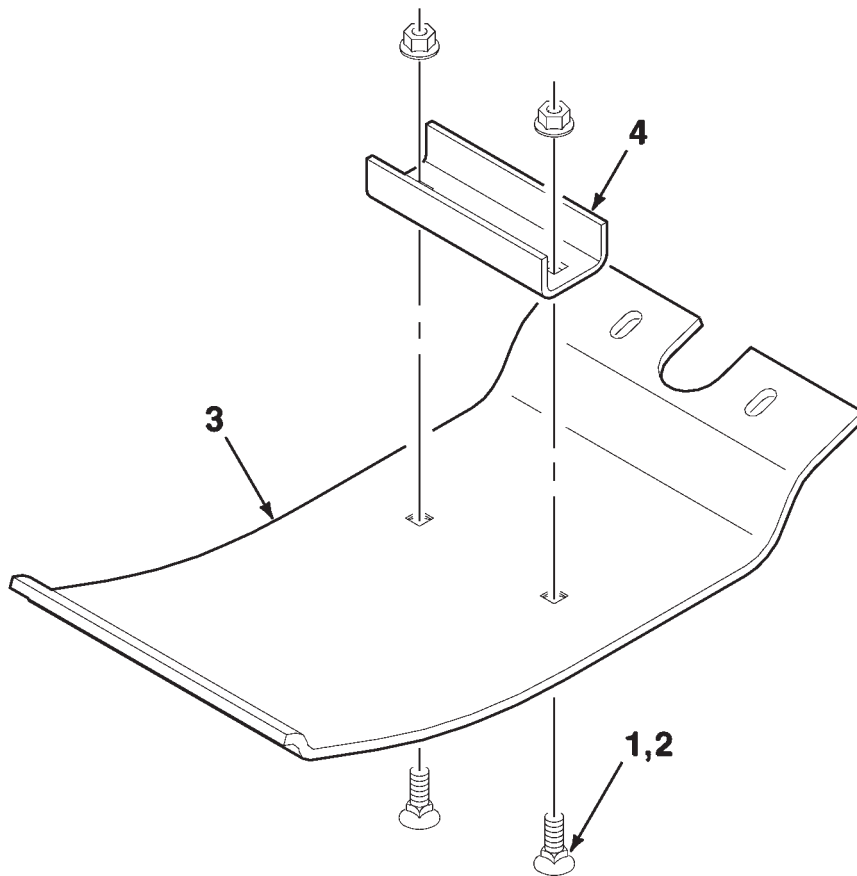
165

**DOOR PROTECTOR KIT (15 FOOT)
(BK11077 DOOR PROTECTOR KIT)**

ITEM	NUMBER	QTY	DESCRIPTION
-	BK11077	1	DOOR PROTECTOR KIT (WHOLEGOODS ONLY)
1	7883325	10	5/16-18 X 3/4 SCREW-FLANGE
2	70931277	20	5/16-18 NUT-LOCK, FLANGE
3	700154018	10	STRAP-SUPPORT
4	700725968	2	PANEL-STYRENE
5	7883333	10	5/16-18 X 1 SCREW-FLANGE

700950685-0

HIGH SKID SHOE KIT
(BK10995 HIGH SKID SHOE KIT)



**DKHB ROTARY HEADER
DECALS AND KITS**

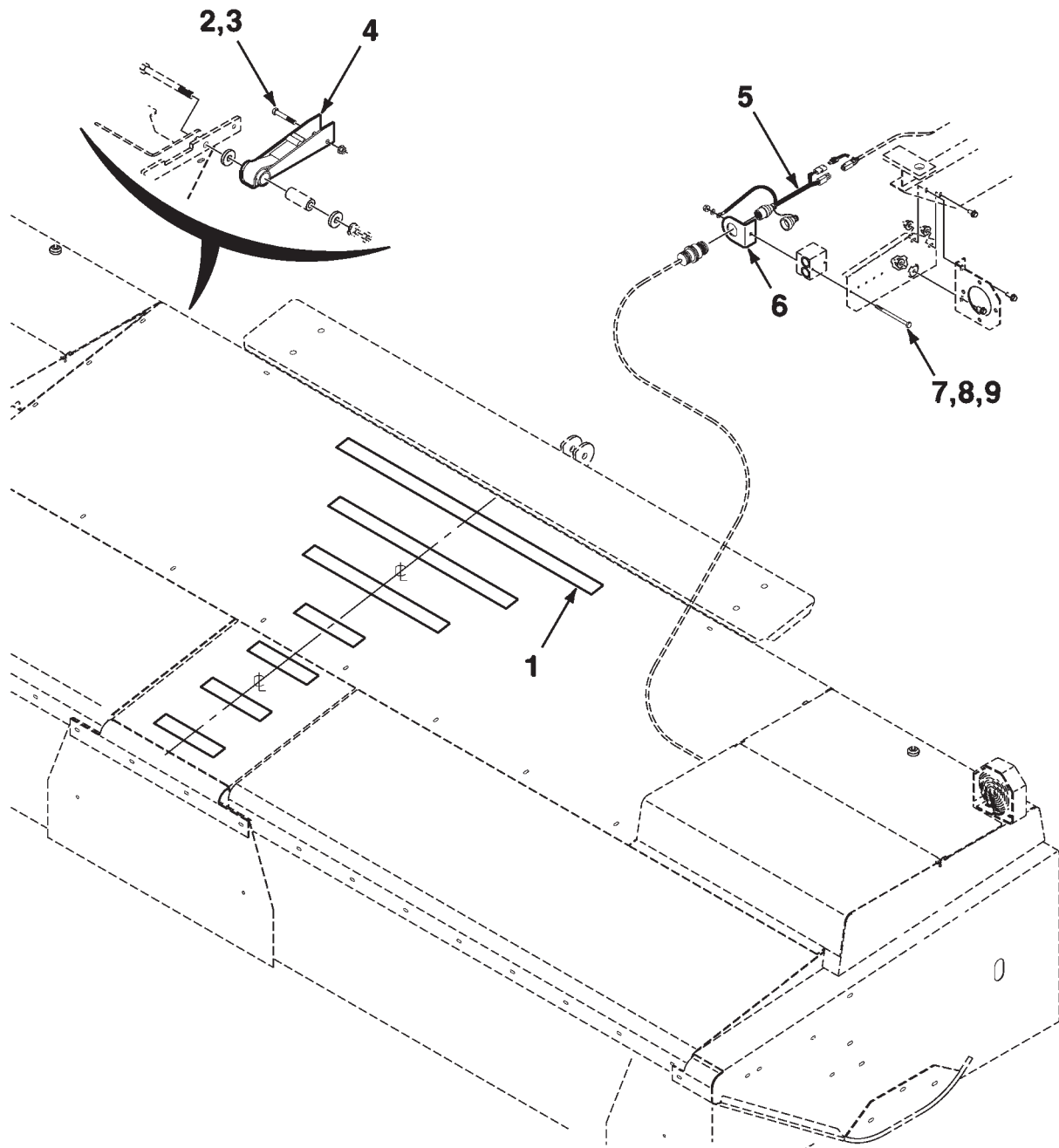
167

**HIGH SKID SHOE KIT
(BK10995 HIGH SKID SHOE KIT)**

ITEM	NUMBER	QTY	DESCRIPTION
-	BK10995	1	HIGH SKID SHOE KIT (WHOLEGOODS ONLY)
1	Y707042	8	3/8-16 X 1 PLOW BOLT
2	Y704734	8	3/8-16 NUT-LOCK, FLANGE GR/G
3	700719429	4	SKID SHOE-HIGH
4	700130189	4	CHANNEL

700950981-0

HEADER ADAPTER KIT (SP165)
(BK11153 HEADER ADAPTER KIT (SP165))



**DKHB ROTARY HEADER
DECALS AND KITS**

169

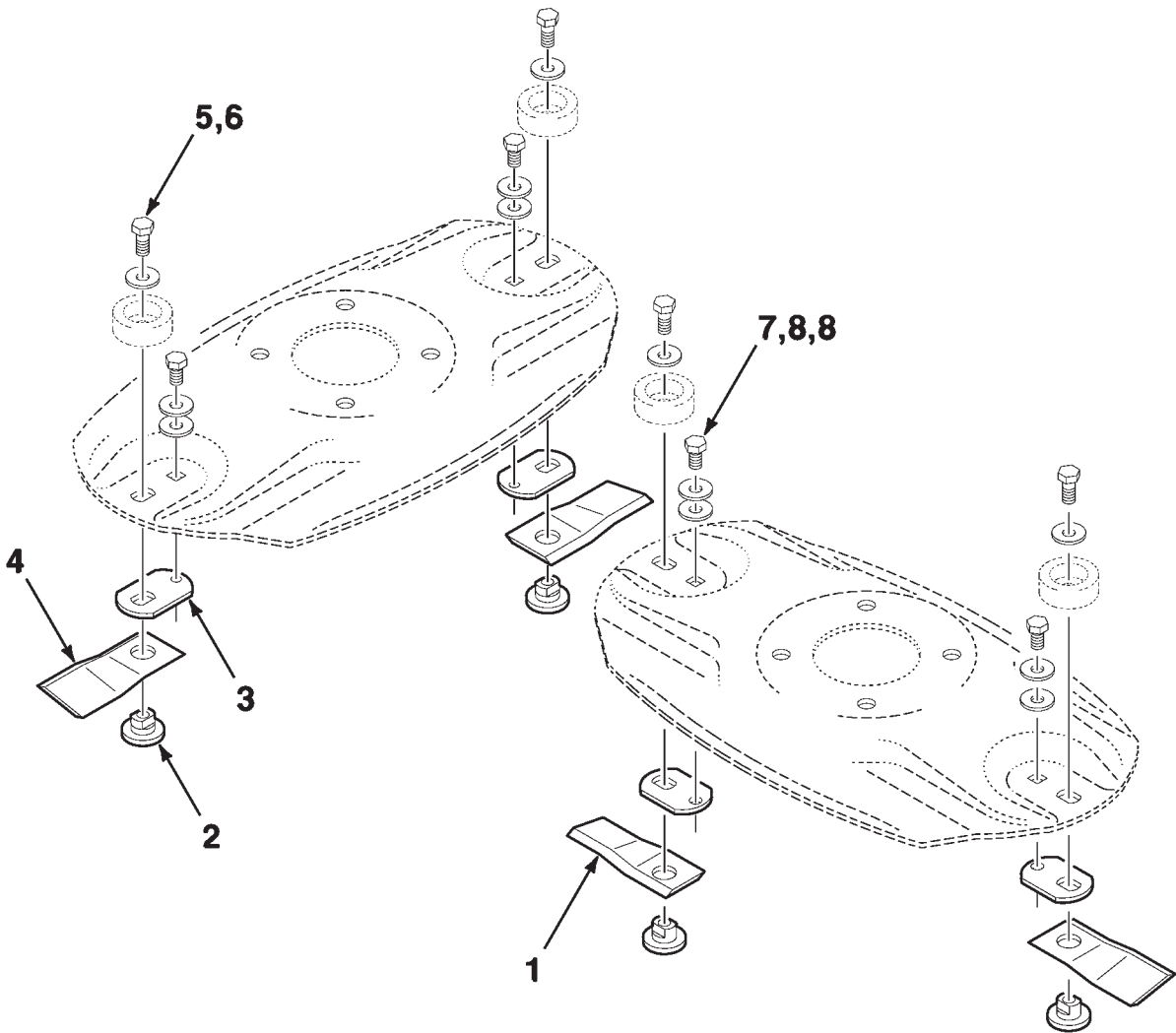
**HEADER ADAPTER KIT (SP165)
(BK11153 HEADER ADAPTER KIT (SP165))**

ITEM	NUMBER	QTY	DESCRIPTION
-	BK11153	1	HEADER ADAPTER KIT (SP165) (WHOLEGOODS ONLY)
1	6849178	1	TREAD-SAFETY (10 FOOT BULK) (CUT TO REQUIRED LENGTH)
2	70923191	2	1/2-13 X 3-1/4 CAPSCREW
3	Y704742	2	1/2-13 NUT-LOCK, FLANGE GR/G
4	700149842C	2	MOUNTING WA-LIFTARM
5	700722409	1	HARNESS-ADAPTER
6	700161550B	1	ANGLE-HARNESS SUPPORT
7	70931645	1	1/4-20 X 3-3/4 CAPSCREW
8	353769X1	1	1/4 HARDENED PLAIN WASHER
9	1703354	1	1/4-20 NUT-LOCK, FLANGE GR/G

700953004-0

**DKHB ROTARY HEADER
DECALS AND KITS**

**PERFORMANCE PACKAGE (12 FOOT)
(700161005 PERFORMANCE PACKAGE-12 FOOT)**



**DKHB ROTARY HEADER
DECALS AND KITS**

171

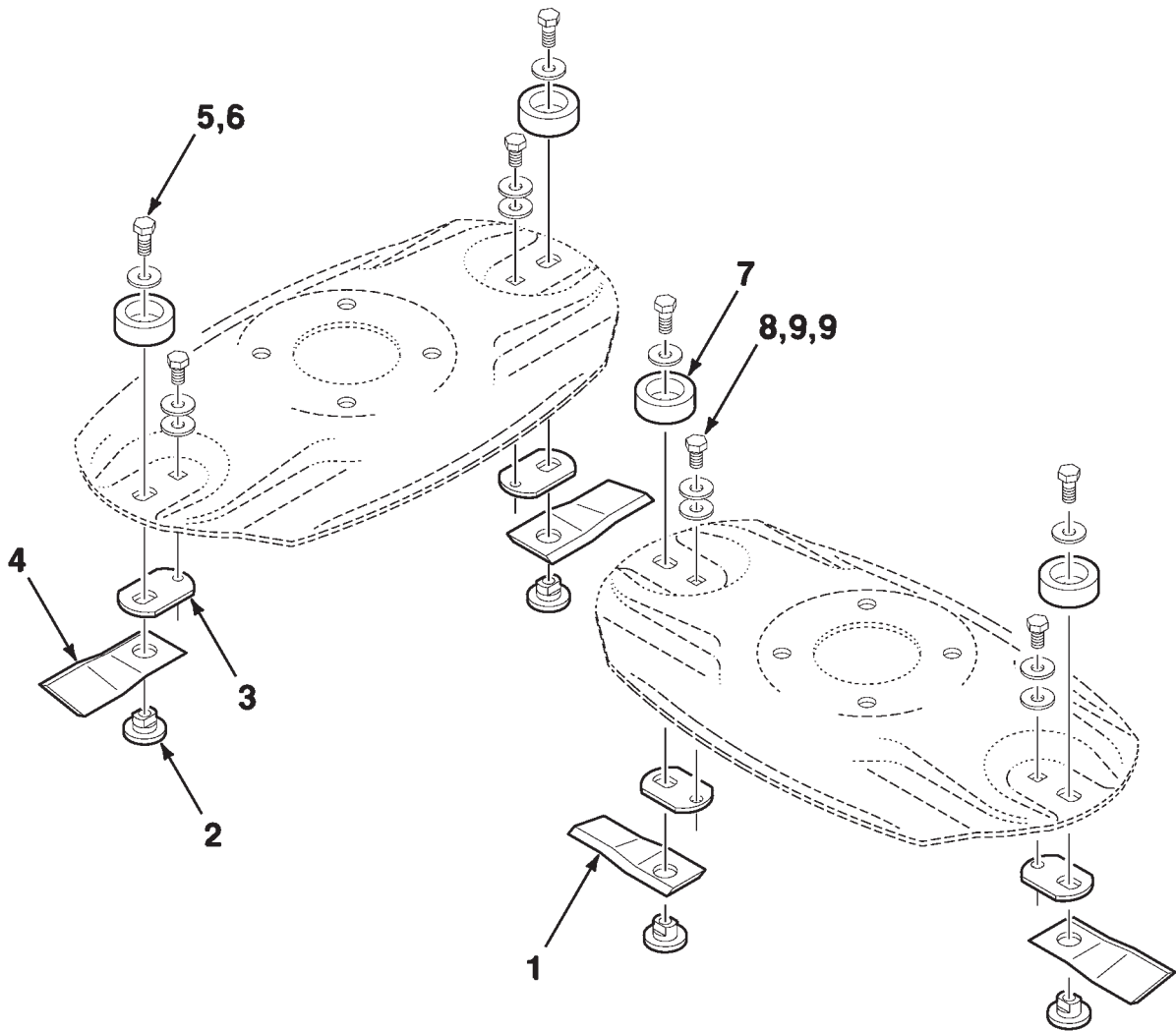
**PERFORMANCE PACKAGE (12 FOOT)
(700161005 PERFORMANCE PACKAGE-12 FOOT)**

ITEM	NUMBER	QTY	DESCRIPTION
-	700161005	1	PERFORMANCE PACKAGE-12 FOOT
1	700713983	8	KNIFE-CLOCKWISE
2	700127073	16	NUT-KNIFE
3	700127071	16	MOUNTING-KNIFE
4	700713984	8	KNIFE-COUNTER CLOCKWISE
5	700711964	16	7/16-14 X 1 SCREW GR8
6	Y705558	16	7/16 HARDENED PLAIN WASHER
7	700711877	16	3/8-16 X 1/2 SCREW GR8
8	Y705533	32	3/8 HARDENED PLAIN WASHER

700161005-0

**DKHB ROTARY HEADER
DECALS AND KITS**

**PERFORMANCE PACKAGE (15 FOOT)
(700161006 PERFORMANCE PACKAGE-15 FOOT)**



**DKHB ROTARY HEADER
DECALS AND KITS**

173

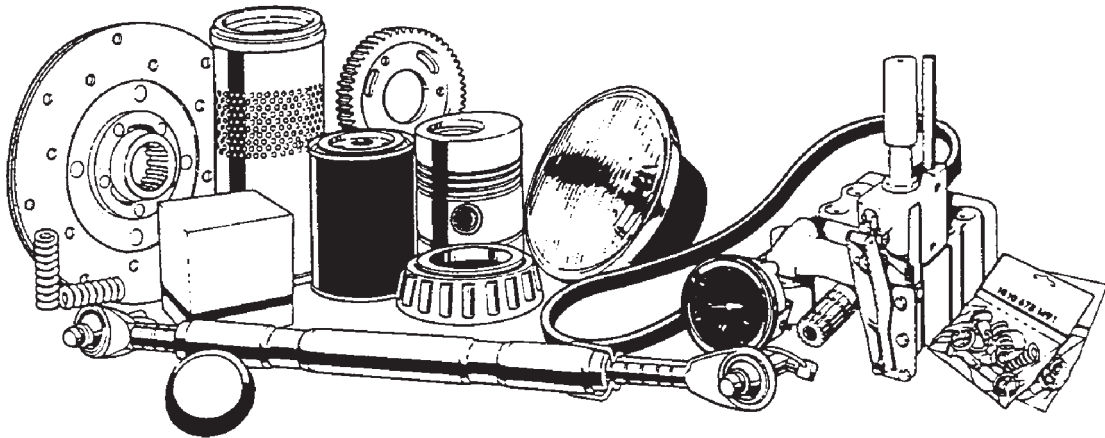
**PERFORMANCE PACKAGE (15 FOOT)
(700161006 PERFORMANCE PACKAGE-15 FOOT)**

ITEM	NUMBER	QTY	DESCRIPTION
-	700161006	1	PERFORMANCE PACKAGE-15 FOOT
1	700715575	10	KNIFE-CLOCKWISE
2	700127073	20	NUT-KNIFE
3	700127071	20	MOUNTING-KNIFE
4	700715576	10	KNIFE-COUNTER CLOCKWISE
5	700711964	20	7/16-14 X 1 SCREW GR8
6	Y705558	20	7/16 HARDENED PLAIN WASHER
7	700127072	20	SHIELD-BOLT, KNIFE
8	700711877	20	3/8-16 X 1/2 SCREW GR8
9	Y705533	40	3/8 HARDENED PLAIN WASHER

700161006-0

RECOMMENDED DEALER STOCK

RECOMMENDED DEALER'S STOCK



**DKHB ROTARY HEADER
RECOMMENDED DEALER STOCK**

175

RECOMMENDED DEALER STOCK

ITEM	NUMBER	QTY	DESCRIPTION
	71122510	1	BEARING-SPHERICAL
	63784	2	1/4 X 1-1/2 CLEVIS PIN
	163733	2	FLANGETTE-BEARING
	740167	1	RING-RETAINING
	710673	1	BEARING
	710871	2	BEARING-CYLINDRICAL
	713958	2	FLANGE
	70921205	10	.755 I.D. O-RING
	70921206	10	.924 I.D. O-RING
	30366E91	2	CROSS AND BEARING KIT
	776682	2	HOOK-RUBBER
	853804	1	IDLER-FLAT
	70921349	10	.644 I.D. O-RING
	1440249X1	20	M10 X 1.5 HEX NUT
	7751605	1	VENT-BREATHER
	8050080	2	BEARING-CYLINDRICAL
	71309128	1	BEARING SPHERICAL
	700127072	10	SHIELD-BOLT, KNIFE
	700127073	10	NUT-KNIFE
	700128266	1	WRENCH-SPANNER
	700149964	1	BOTTLE ASSEMBLY
	700160917C	1	FLANGE WA
	700706398	1	INDUCTIVE SENSOR
	700709106	1	BEARING-DOUBLE ROW
	700709189	1	RING-RETAINING
	700711843	2	CROSS AND BEARING KIT
	700711877	10	3/8-16 X 1/2 SCREW GR8
	700711918	2	FLANGE
	700711964	10	7/16-14 X 1 SCREW GR8
	700712375	2	RING-RETAINING
	700712393	3	WASHER-COPPER
	700712394	3	PLUG
	700712401	20	M10 X 1.5 X 30 SCREW
	700712408	2	LOCKNUT M24 X 3
	700712409	1	WASHER-BELLEVILLE
	700712412	5	SHIM
	700712415	5	RING-RETAINING
	700712417	4	M20 X 2.5 X 30 BOLT
	700712418	4	SHIM
	700712420	4	GEAR
	700712969	4	PIN
	700712970	4	NUT
	700713471	2	RING-RETAINING
	700714310	1	BEARING
	700714715	1	V-BELT
	700715575	20	KNIFE-CLOCKWISE
	700715576	20	KNIFE-COUNTER CLOCKWISE
	700719689	1	BELT-V, 4 STRAND
	700721267	1	V-BELT, 4HA POWERBAND
	700721328	1	BEARING-SPHERICAL,SPECIAL
	700726011	1	BELT-V, 2 STRAND
	700726228	4	BEARING

RDL